



US00D600453S

(12) **United States Design Patent**
Kwapis

(10) **Patent No.:** **US D600,453 S**

(45) **Date of Patent:** **** *Sep. 22, 2009**

- (54) **BRUSH HANDLE**
- (75) Inventor: **Alex Kwapis**, Columbus, OH (US)
- (73) Assignee: **Mary Kay Inc.**, Dallas, TX (US)
- (*) Notice: This patent is subject to a terminal disclaimer.
- (**) Term: **14 Years**
- (21) Appl. No.: **29/321,176**
- (22) Filed: **Jul. 11, 2008**

5,205,301 A	4/1993	Nakamura	132/320
D350,853 S	9/1994	Basque	D4/135
D357,125 S	4/1995	Hernandez	D4/114
5,450,865 A	9/1995	Park	132/218
5,504,962 A	4/1996	Byun	15/184
5,507,063 A	4/1996	Hirsch	15/160
5,765,573 A	6/1998	Gueret	132/218
D407,526 S	3/1999	Weiler et al.	D28/7
6,012,194 A *	1/2000	Eshbach et al.	15/143.1
6,026,824 A	2/2000	Gueret	132/218
D421,846 S	3/2000	Choe	D4/135
6,039,051 A	3/2000	Dorf	132/313
6,039,052 A	3/2000	Choi	132/313
6,076,531 A	6/2000	Gueret	132/218

(Continued)

- (51) **LOC (9) Cl.** **04-02**
 - (52) **U.S. Cl.** **D4/138; D4/135**
 - (58) **Field of Classification Search** D4/132, D4/135, 137, 138, 199; 15/143.1, 159.1, 15/160, 171, 191.1, 192, 193, 190, 194-197; D28/7; 132/289, 290, 293, 294, 313, 317, 132/320, 286
- See application file for complete search history.

FOREIGN PATENT DOCUMENTS

KR 113992 S * 5/1991
Primary Examiner—Melanie H Tung
Assistant Examiner—Lavone D Tabor
 (74) *Attorney, Agent, or Firm*—Fulbright & Jaworski L.L.P.

(56) **References Cited**

U.S. PATENT DOCUMENTS

2,075,570 A	3/1937	Carpenter	300/21
2,674,759 A	4/1954	Solberg	15/193
2,887,340 A	5/1959	Veneko	300/21
D249,600 S	9/1978	Bowman	D4/135
D267,986 S	2/1983	Flower	D4/135
D278,951 S	5/1985	Kalinsky	D4/135
D278,952 S	5/1985	Kalinsky	D4/135
4,605,022 A	8/1986	Gueret	132/314
4,756,039 A	7/1988	Pardo	15/160
4,786,199 A	11/1988	Chen	401/288
D304,392 S	11/1989	Reich	D4/135
D305,964 S	2/1990	Hurwitz	D4/135
D307,830 S	5/1990	Murphy	D4/114
4,944,625 A	7/1990	Futter et al.	401/153
D310,918 S	10/1990	Futter et al.	D4/114
D320,698 S	10/1991	Reich	D4/135
5,062,672 A	11/1991	Harris	294/65.5
D324,776 S	3/1992	Griffin et al.	D4/114
5,195,546 A	3/1993	Cansler et al.	132/317

(57) **CLAIM**

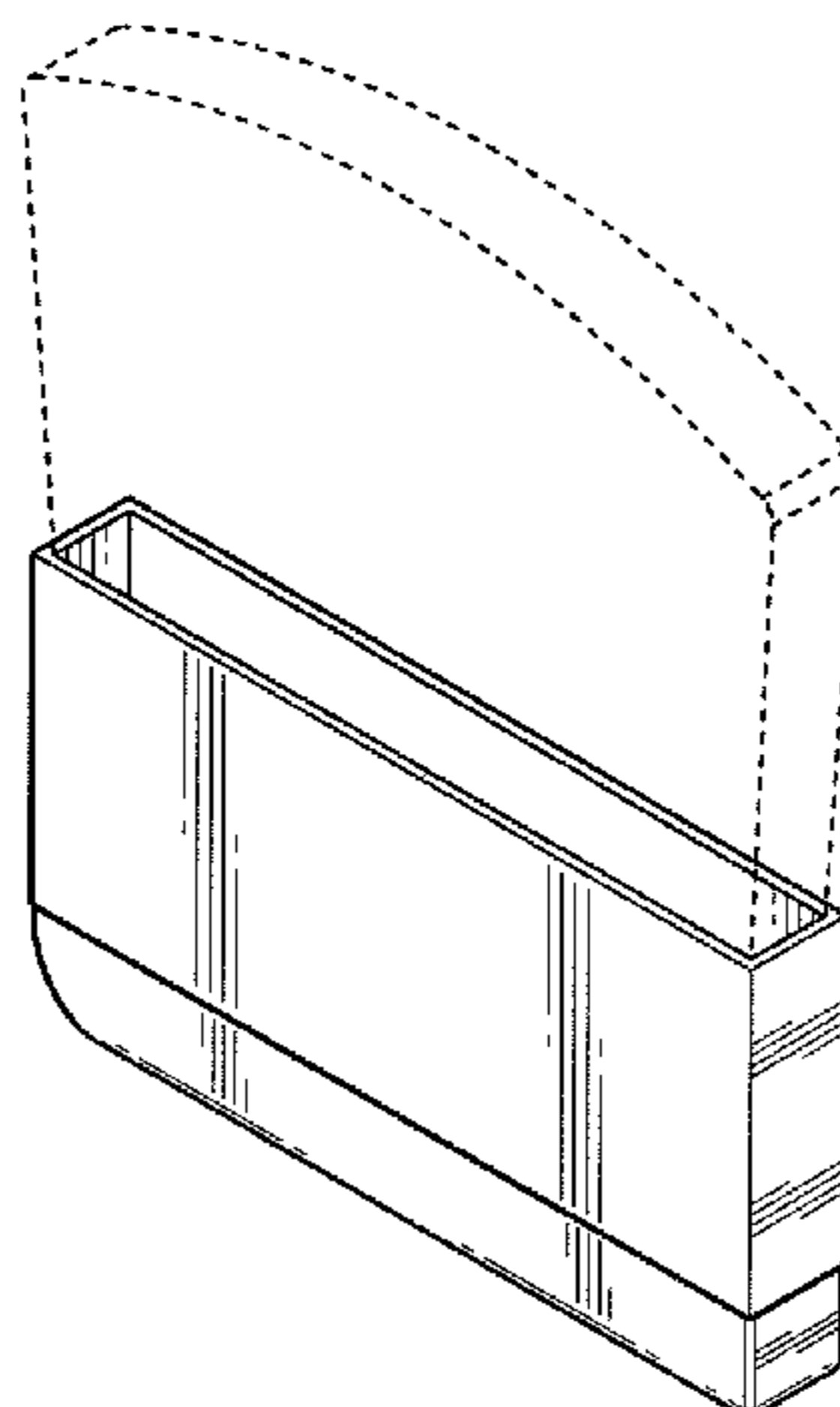
The ornamental design for a brush handle, as shown and described.

DESCRIPTION

FIG. 1 is a top front perspective view of my design;
 FIG. 2 is a front view of my design;
 FIG. 3 is a back view of my design;
 FIG. 4 is a right side view of my design;
 FIG. 5 is a left side view of my design;
 FIG. 6 is a top view of my design; and,
 FIG. 7 is a bottom view of my design.

The dashed lines in FIGS. 1-7 are environmental structure forming no part of the claimed design. All other surface(s) or portion(s) of my design not shown in the figures or otherwise described in the specification form no part of the claimed design.

1 Claim, 2 Drawing Sheets



US D600,453 S

Page 2

U.S. PATENT DOCUMENTS

D427,777 S	7/2000	Kim	D4/135	D479,918 S	9/2003	Mink	D4/135
6,092,535 A	7/2000	Moore	132/270	6,619,298 B2	9/2003	Gueret	132/320
D429,568 S	8/2000	Durbin et al.	D4/127	6,675,814 B2	1/2004	Gueret	132/218
6,142,695 A	11/2000	Byun	401/188 R	6,779,532 B2	8/2004	Dorf	132/200
D441,536 S	5/2001	Jackson-MacDonald	D4/118	6,805,510 B2	10/2004	Lee	401/200
6,234,181 B1	5/2001	Lou	132/313	D503,044 S	3/2005	Vaught	D4/135
6,298,863 B1	10/2001	Byun	132/294	6,883,990 B2	4/2005	Shih	401/127
D450,189 S	11/2001	Mink et al.	D4/127	6,932,220 B2 *	8/2005	Byun	206/581
D450,930 S	11/2001	Mink et al.	D4/135	7,021,318 B2 *	4/2006	Byun	132/294
D450,931 S	11/2001	Mink et al.	D4/135	D527,188 S	8/2006	Langer	D4/116
6,363,948 B2	4/2002	Choi	132/313	D528,304 S	9/2006	Langer	D4/116
D465,657 S	11/2002	Woodnorth et al.	D4/135	D529,293 S	10/2006	Langer	D4/116
6,505,632 B1	1/2003	Toll et al.	132/218	7,159,950 B2	1/2007	Young-Chul	300/21
6,513,183 B2	2/2003	Dorf	15/191.1	D539,549 S	4/2007	Kipry et al.	D4/138
D471,018 S	3/2003	Mink	D4/135	7,234,474 B2	6/2007	Byun	132/313
6,558,061 B2	5/2003	Petit	401/270	7,275,885 B2	10/2007	Byun	401/280
6,604,531 B2	8/2003	Nakamura et al.	132/200	7,318,683 B2	1/2008	Byun	401/281
D479,917 S	9/2003	Mink	D4/135	2005/0045200 A1	3/2005	Zeunik	132/290
				2007/0169790 A1	7/2007	Castagno et al.	132/320

* cited by examiner

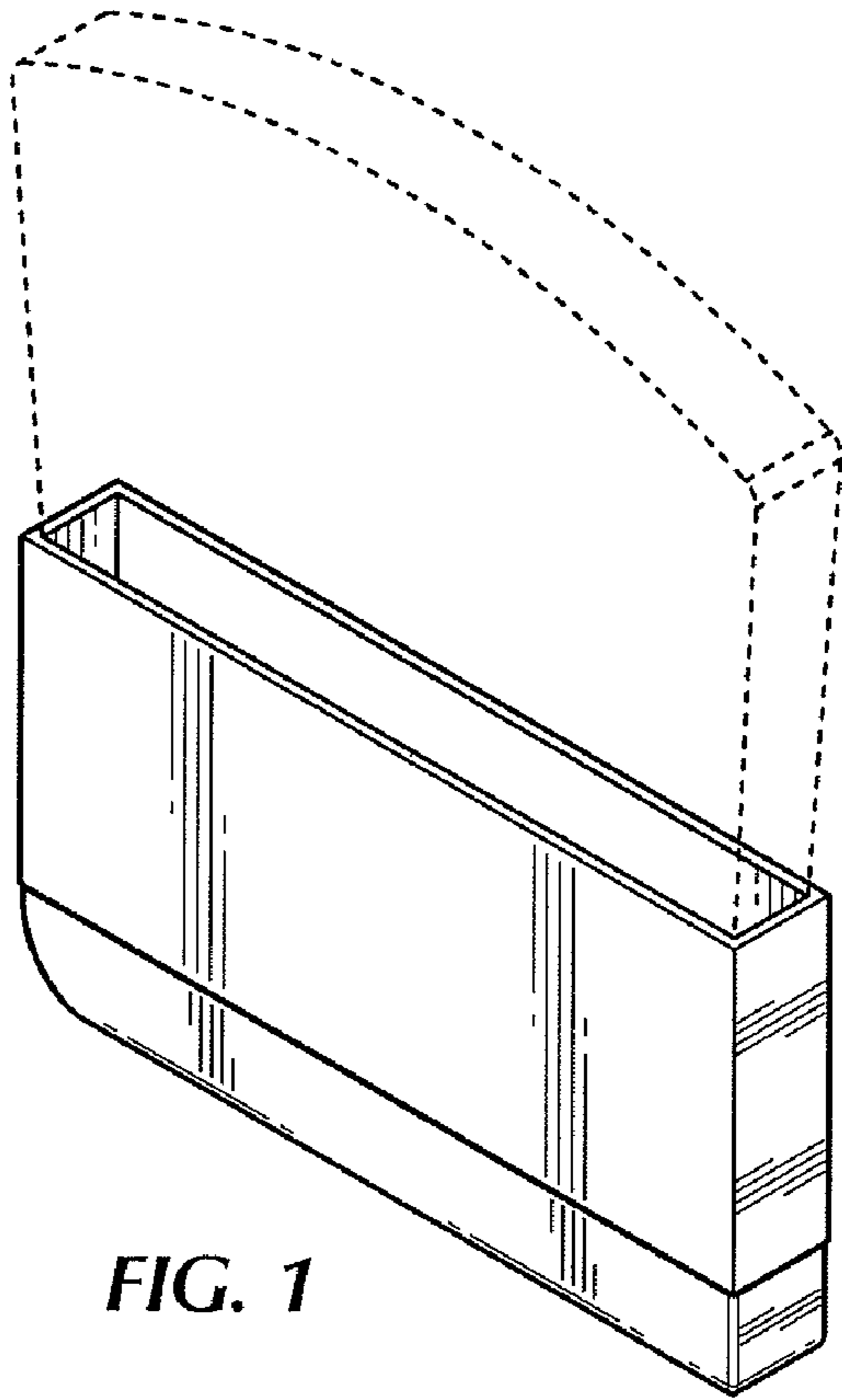


FIG. 1

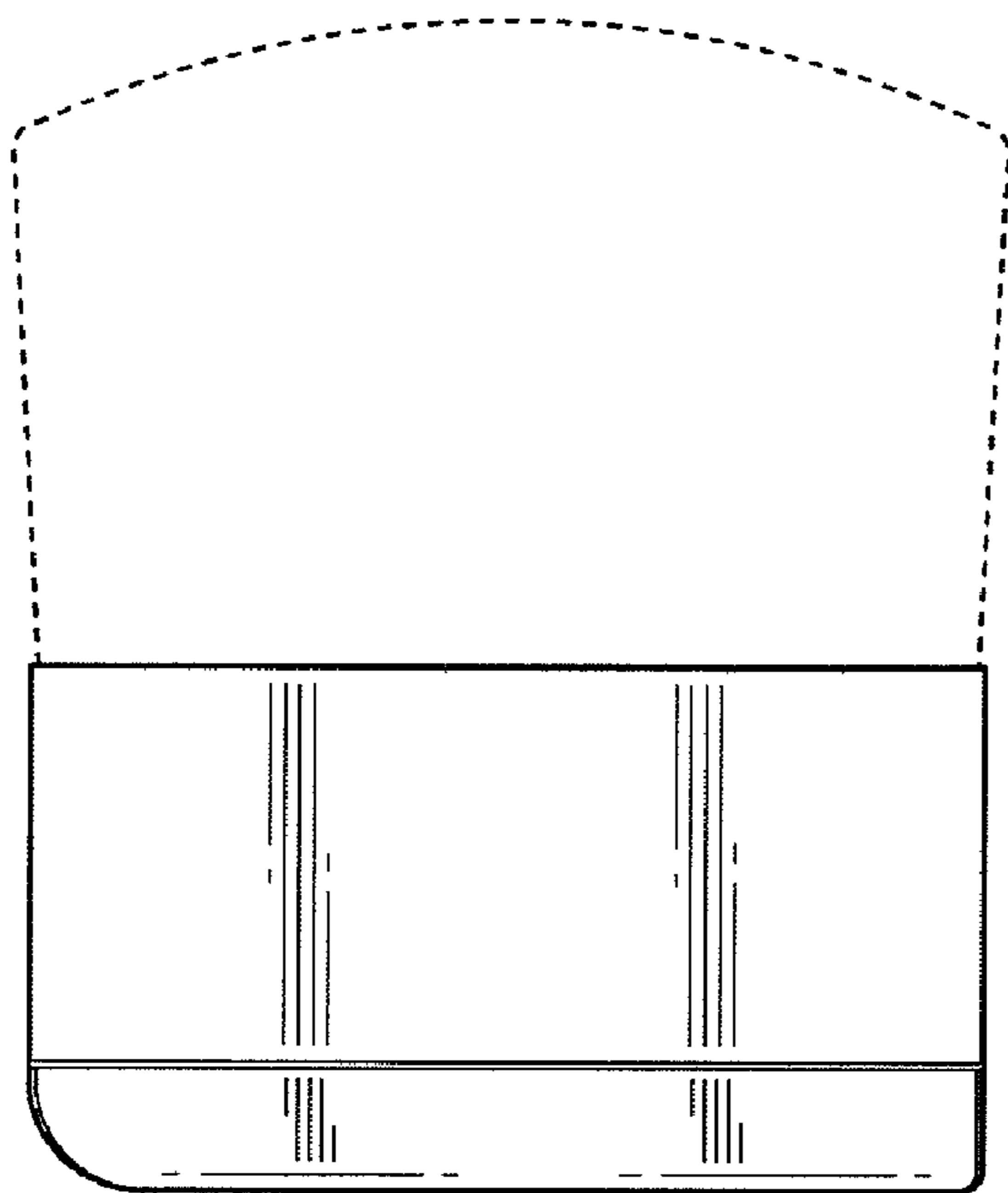


FIG. 2

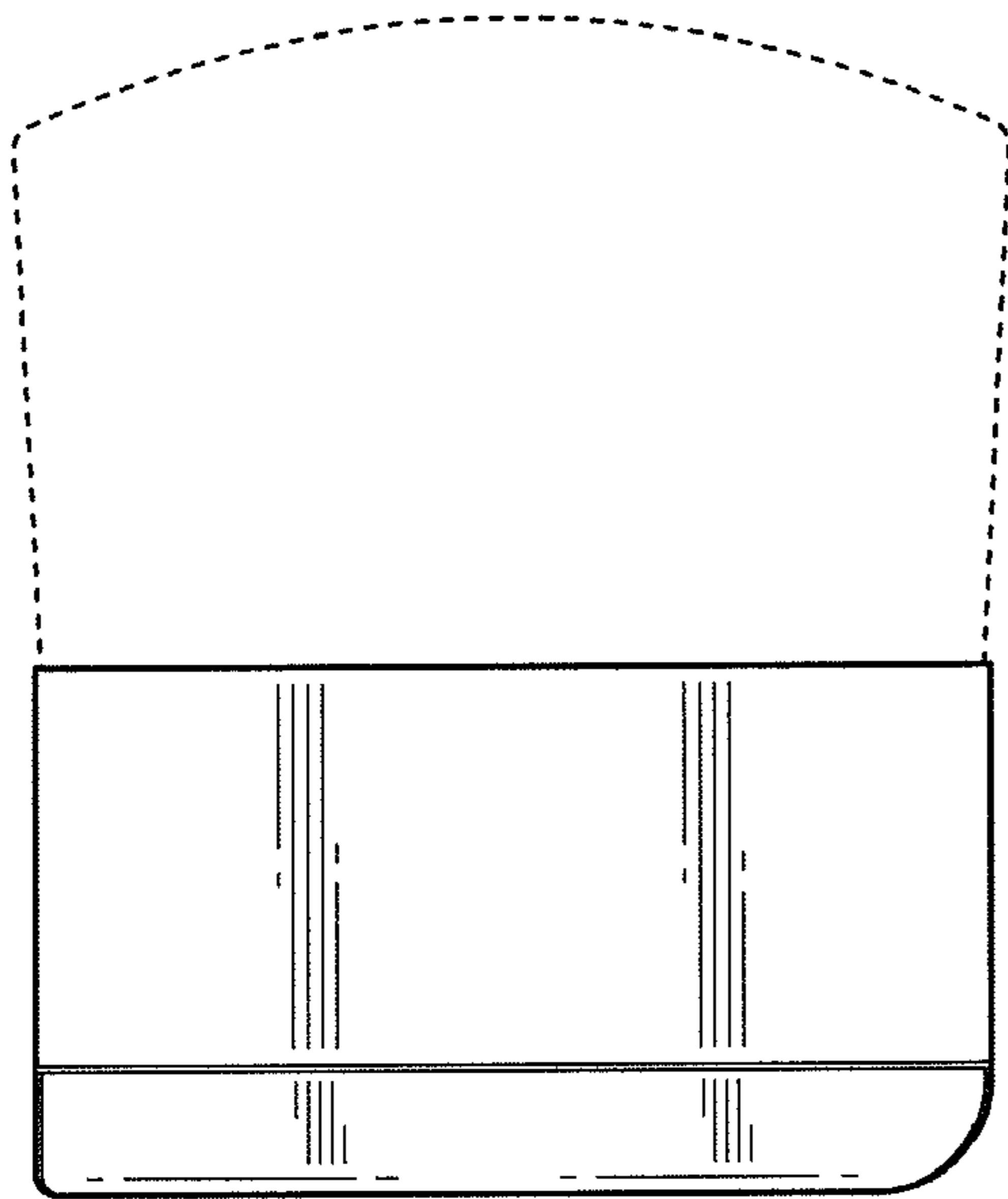


FIG. 3



FIG. 4



FIG. 5



FIG. 6

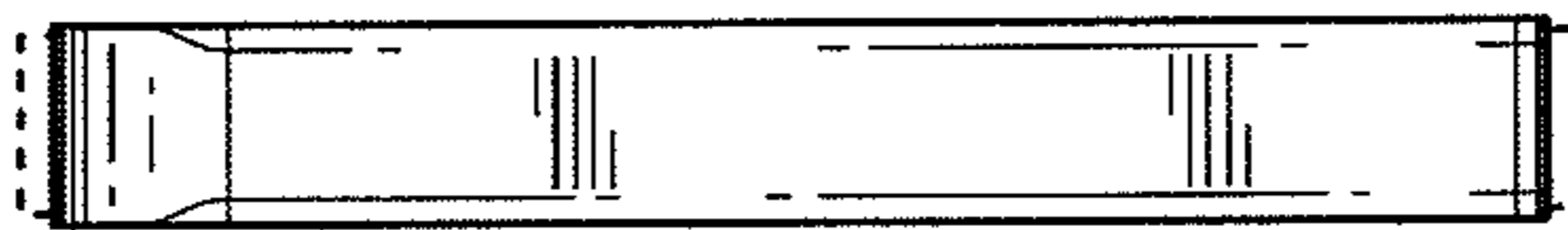


FIG. 7