



US00D600451S

(12) **United States Design Patent**  
**Chvetsova**

(10) **Patent No.:** **US D600,451 S**

(45) **Date of Patent:** **\*\* Sep. 22, 2009**

(54) **FOLDABLE HANDBAG HANGER**

D517,732 S \* 3/2006 Osterholt et al. .... D28/77  
7,322,554 B2 \* 1/2008 Caroselli et al. .... 248/304

(76) **Inventor:** **Tatiana Chvetsova**, 26 Hampsted Lane,  
London (GB) N6 4NX

\* cited by examiner

(\*\*) **Term:** **14 Years**

*Primary Examiner*—Holly H Baynham

*Assistant Examiner*—Sheryl Lane

(21) **Appl. No.:** **29/322,676**

(74) *Attorney, Agent, or Firm*—Pearne & Gordon LLP

(22) **Filed:** **Aug. 8, 2008**

(57) **CLAIM**

(30) **Foreign Application Priority Data**

Jul. 29, 2008 (EM) ..... 000978572-0001

Jul. 29, 2008 (EM) ..... 000978572-0002

I claim the ornamental design for a foldable handbag hanger,  
as shown and described.

(51) **LOC (9) Cl.** ..... **03-99**

(52) **U.S. Cl.** ..... **D3/328**

(58) **Field of Classification Search** ..... D3/328,  
D3/304; D6/315, 327; D8/367, 373; 223/DIG. 2,  
223/DIG. 4; 211/113; 248/302, 304, 308,  
248/914, 339, 309.1

**DESCRIPTION**

FIG. 1 is a perspective view of a new design of a foldable  
handbag hanger in an unfolded condition;

FIG. 2 is a side elevation view of the handbag hanger in the  
unfolded condition;

FIG. 3 is a rear view of the handbag hanger in the unfolded  
condition;

See application file for complete search history.

FIG. 4 is a front view of the handbag hanger in the unfolded  
condition;;

(56) **References Cited**

**U.S. PATENT DOCUMENTS**

D300,882 S \* 5/1989 Olson ..... D3/328  
D384,505 S \* 10/1997 Stewart ..... D3/328  
D429,899 S \* 8/2000 Schwartz ..... D6/327  
D435,733 S \* 1/2001 Osterholt ..... D3/328  
D456,280 S \* 4/2002 Osterholt et al. .... D10/31  
D465,653 S \* 11/2002 Fuschillo ..... D3/328  
D514,319 S \* 2/2006 King et al. .... D3/328

FIG. 5 is a top view of the handbag hanger in the unfolded  
condition; and,

FIG. 6 is a bottom view of the handbag hanger in the unfolded  
condition.

The broken lines showing of the elements of the handbag  
hanger forms no part of the claimed design.

**1 Claim, 6 Drawing Sheets**

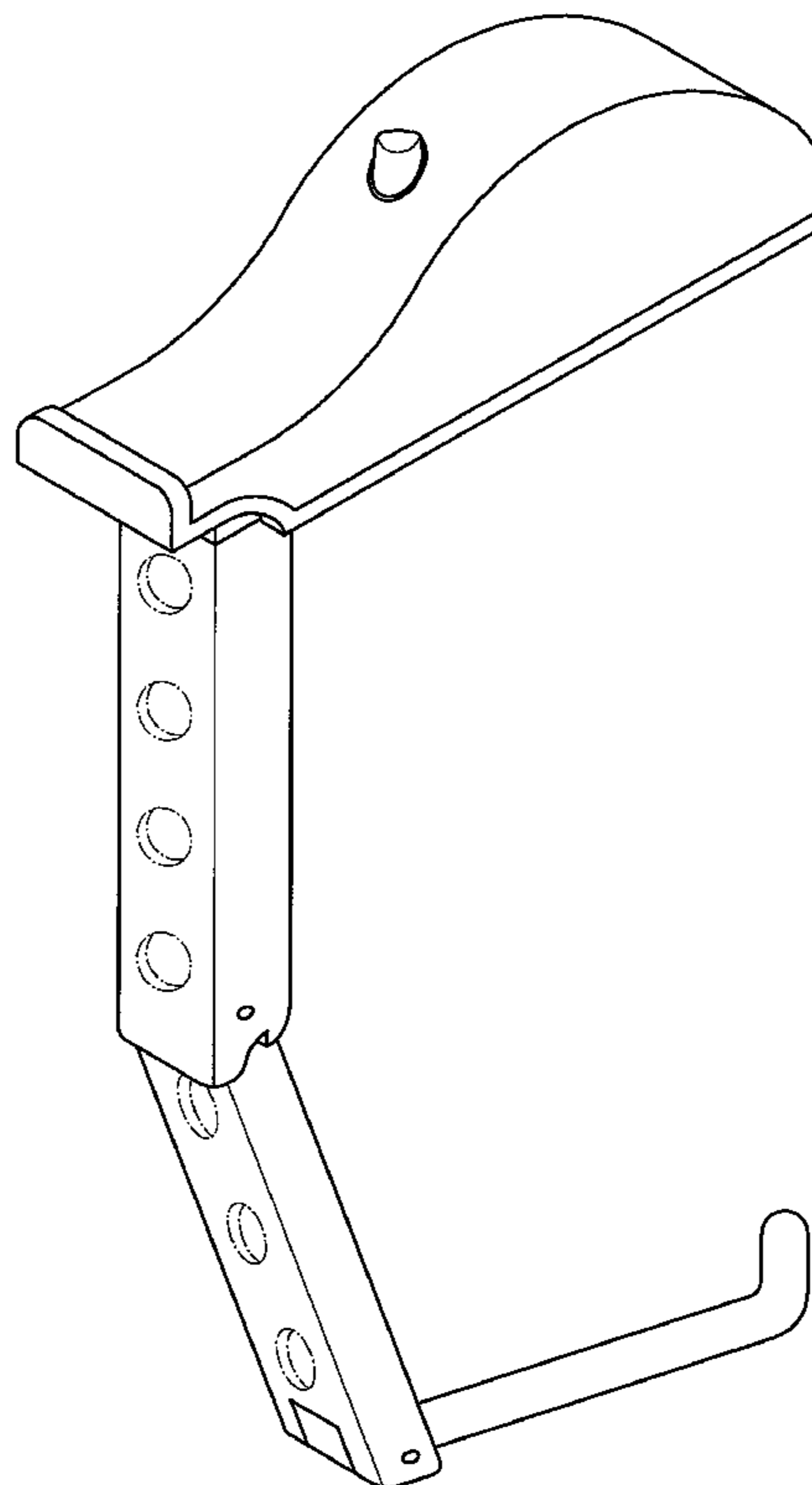


Fig. 1

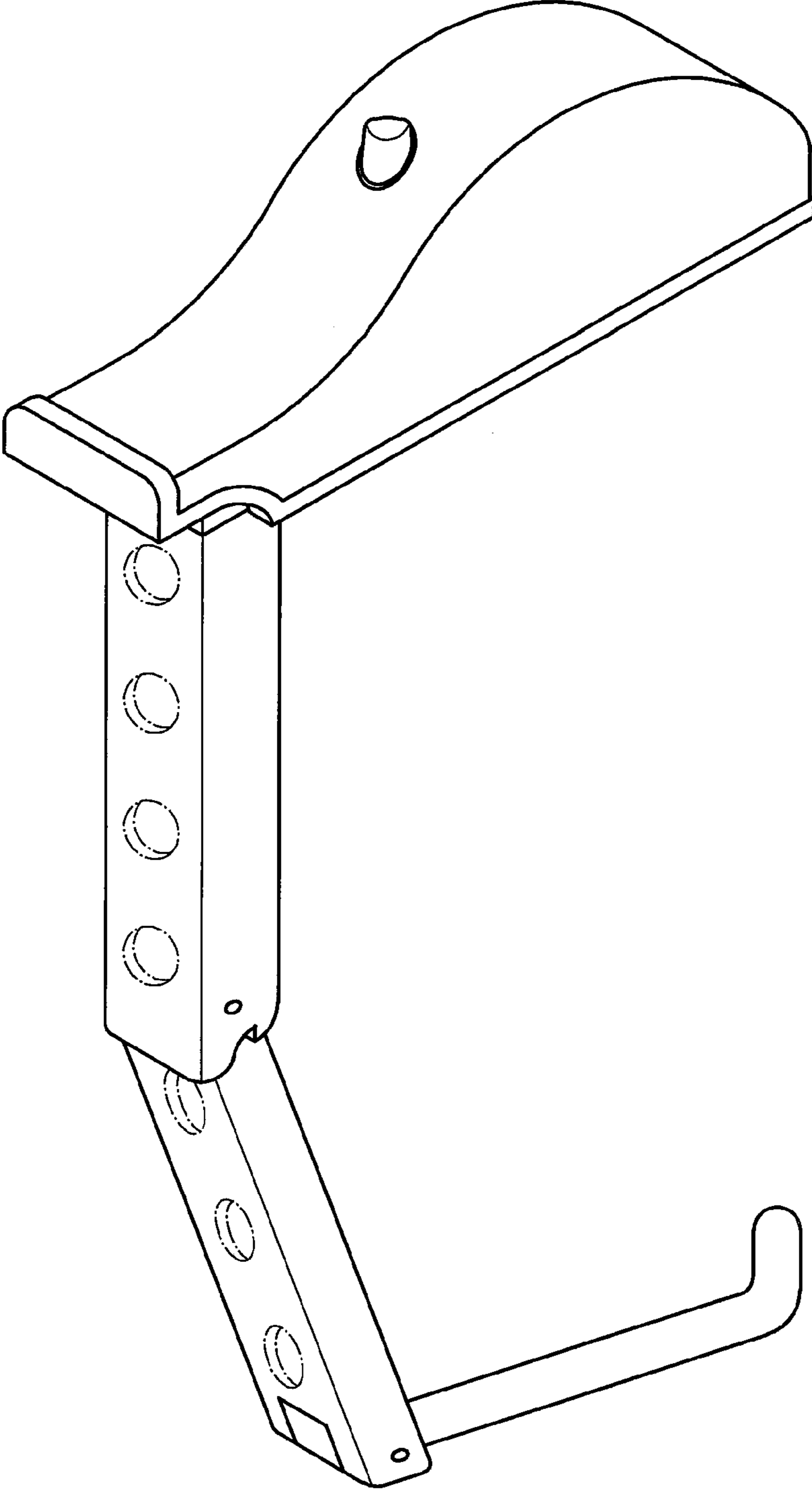


Fig. 2

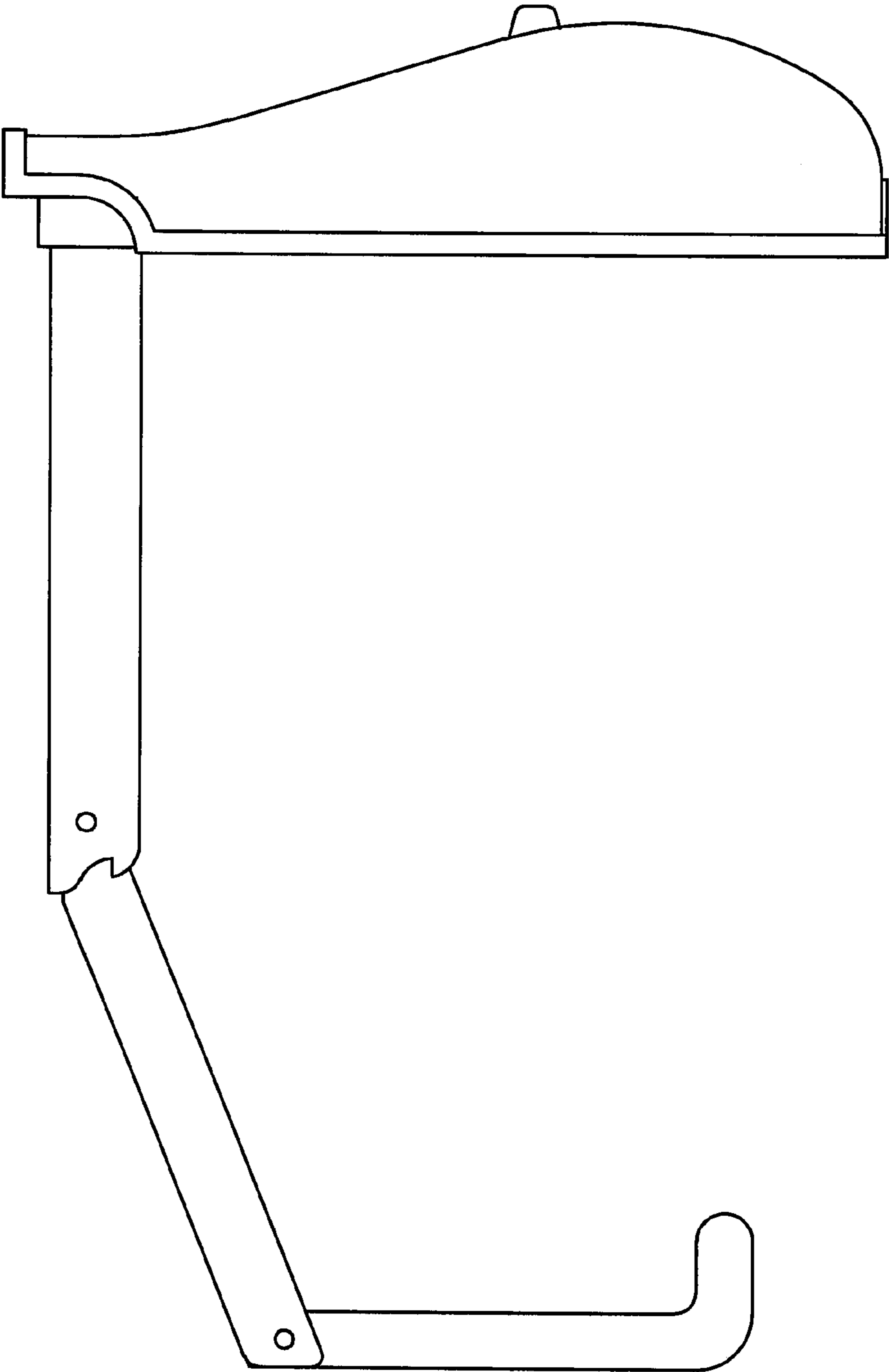


Fig. 3

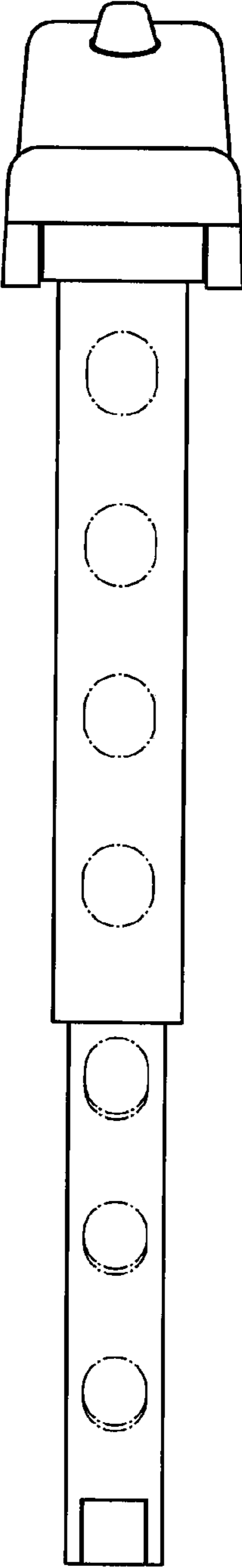


Fig. 4

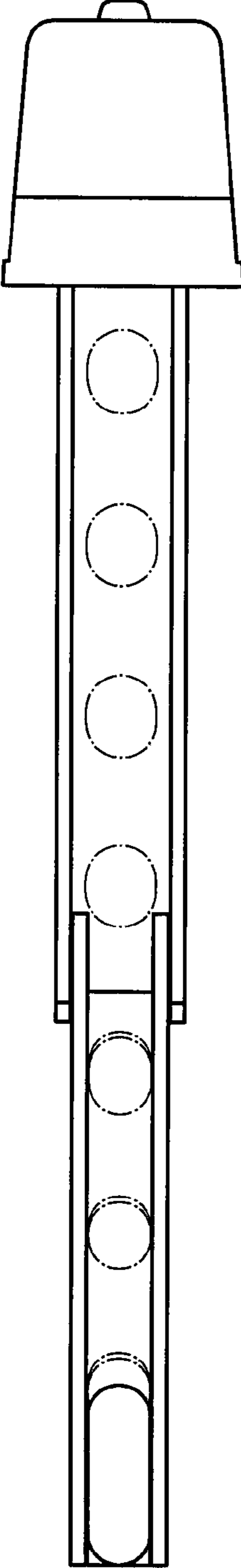


Fig. 5

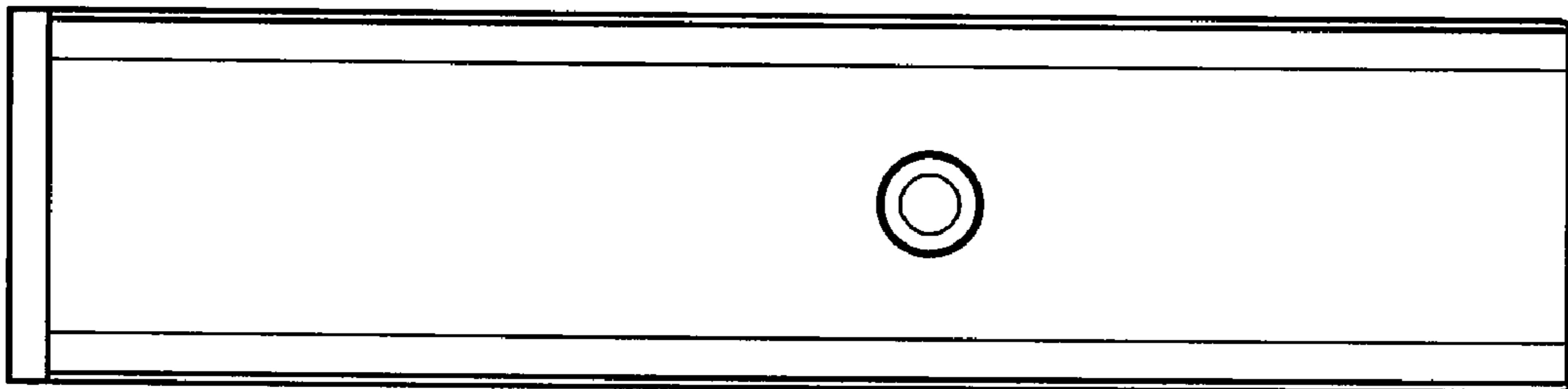


Fig. 6

