



US00D600444S

(12) **United States Design Patent**
Cooper

(10) **Patent No.:** **US D600,444 S**

(45) **Date of Patent:** **** Sep. 22, 2009**

(54) **SUITCASE**

(76) **Inventor:** **Madeline Cooper**, 9 Eldridge La.,
Willingboro, NJ (US) 08046

(**) **Term:** **14 Years**

(21) **Appl. No.:** **29/312,728**

(22) **Filed:** **Nov. 10, 2008**

(51) **LOC (9) Cl.** **03-01**

(52) **U.S. Cl.** **D3/279; D3/290**

(58) **Field of Classification Search** **D3/273,**
D3/276, 279, 290; 190/18 A, 18 R, 100,
190/109, 115, 121-122

See application file for complete search history.

(56) **References Cited**

U.S. PATENT DOCUMENTS

2,472,491	A *	6/1949	Quinton	280/37
3,807,537	A *	4/1974	O'Reilly	190/121
3,870,132	A *	3/1975	Hanley	190/109
3,917,038	A *	11/1975	Foge et al.	190/18 A
D273,941	S *	5/1984	Farber	D9/420
4,580,667	A *	4/1986	Herwood	190/110
4,699,267	A *	10/1987	Burke	206/278
D300,509	S *	4/1989	Zitt	D3/274
5,009,315	A *	4/1991	Robare	206/427
5,107,971	A	4/1992	Freeman	
5,255,833	A *	10/1993	McAllister	224/602
D358,031	S *	5/1995	Aumasson	D3/318
D373,249	S *	9/1996	Richardson	D3/321

5,575,391	A *	11/1996	Gerch	206/527
D395,792	S *	7/1998	Cretcher	D7/605
D448,154	S *	9/2001	Mann	D3/203.1
6,325,189	B1 *	12/2001	King et al.	190/119
D480,209	S *	10/2003	Davis et al.	D3/289
6,637,563	B1	10/2003	Ruckh	
6,668,990	B2	12/2003	Humiston, Jr.	
6,776,271	B2 *	8/2004	Chen	190/18 A
D538,534	S *	3/2007	Sijmons	D3/279
D541,530	S *	5/2007	Sijmons	D3/279

* cited by examiner

Primary Examiner—Philip S Hyder
Assistant Examiner—Roselyne Cody

(57) **CLAIM**

The ornamental design for a suitcase, as shown and described.

DESCRIPTION

FIG. 1 is a perspective view of a suitcase showing my new design;
FIG. 2 is a top plan view thereof;
FIG. 3 is a bottom plan view thereof;
FIG. 4 is a right side elevational thereof;
FIG. 5 is a left side elevational view thereof;
FIG. 6 is a front elevational view thereof; and,
FIG. 7 is a rear elevational view thereof.

1 Claim, 2 Drawing Sheets

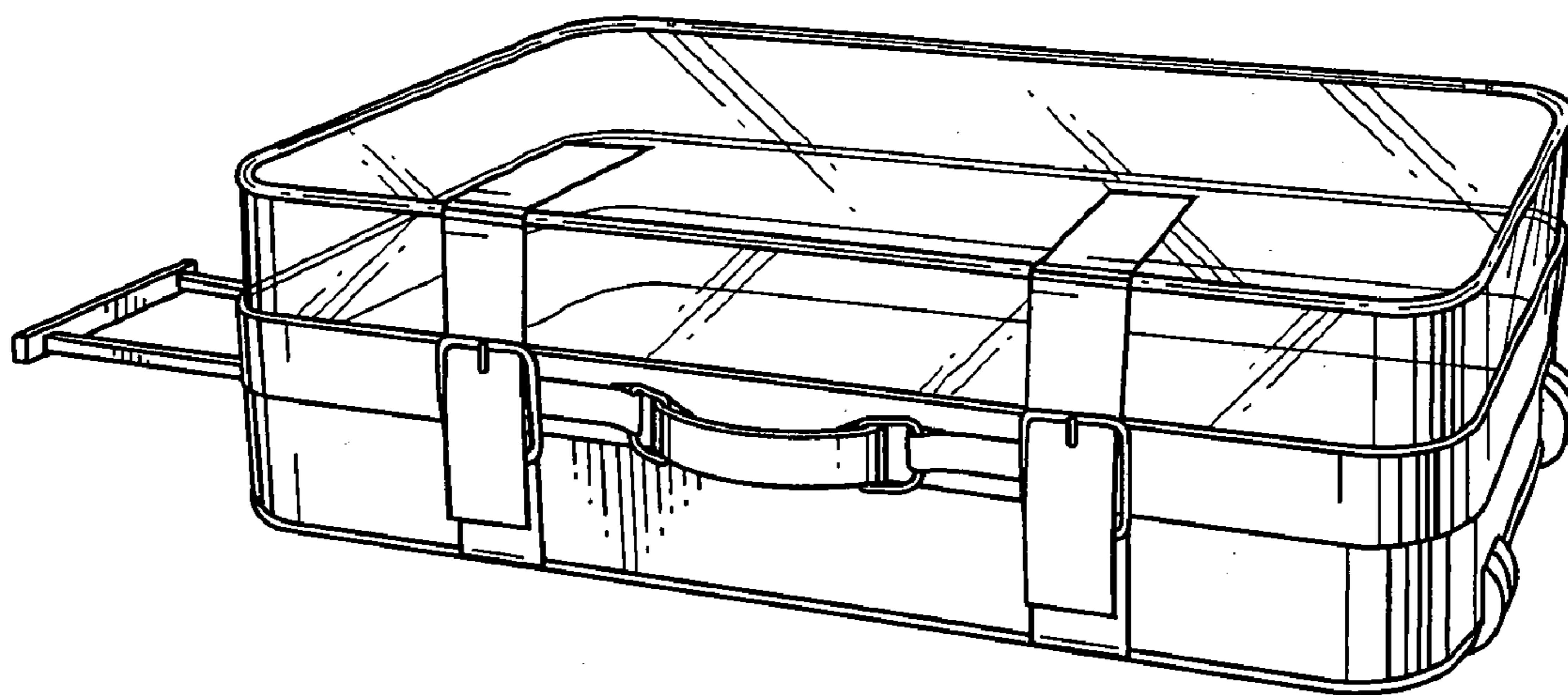


Fig. 1

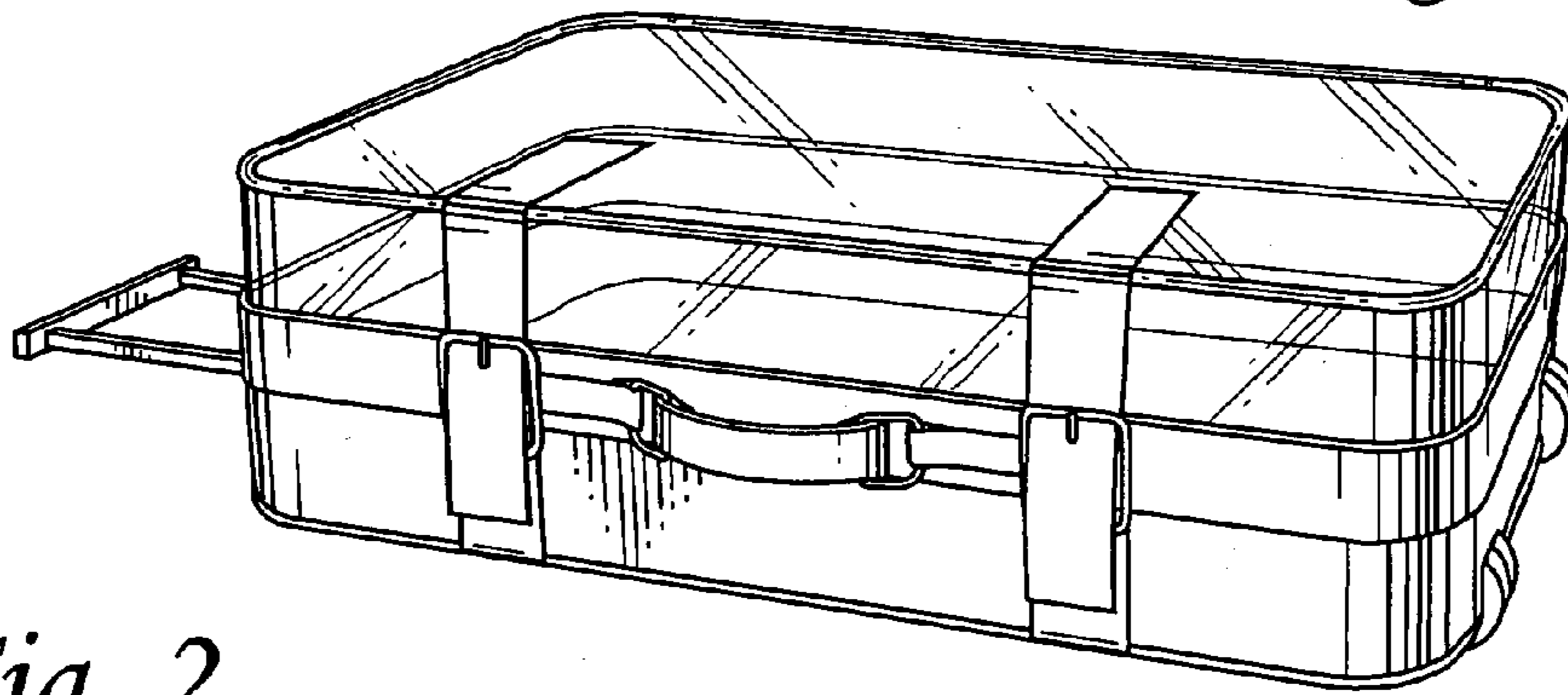


Fig. 2

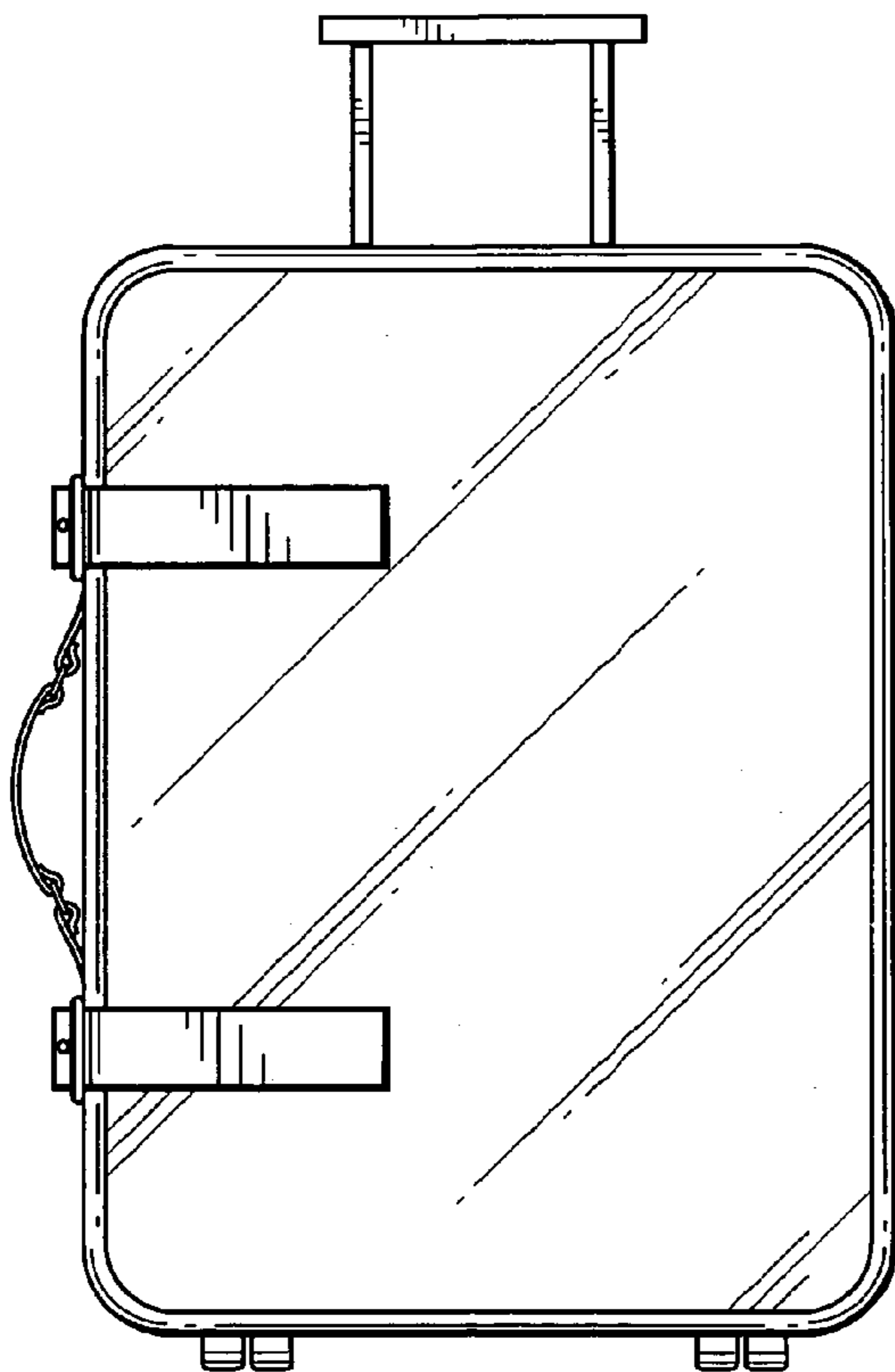


Fig. 3

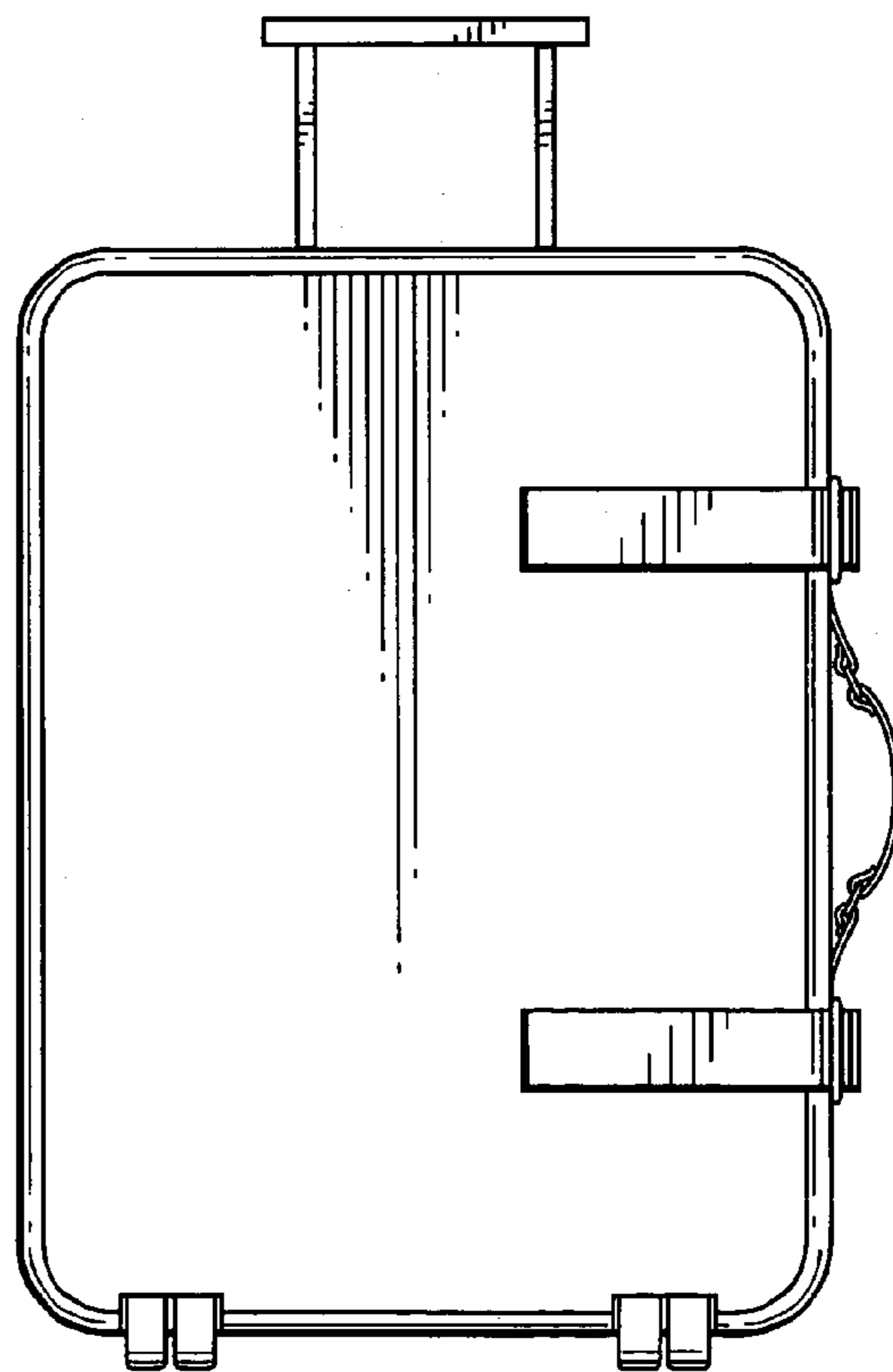


Fig. 4

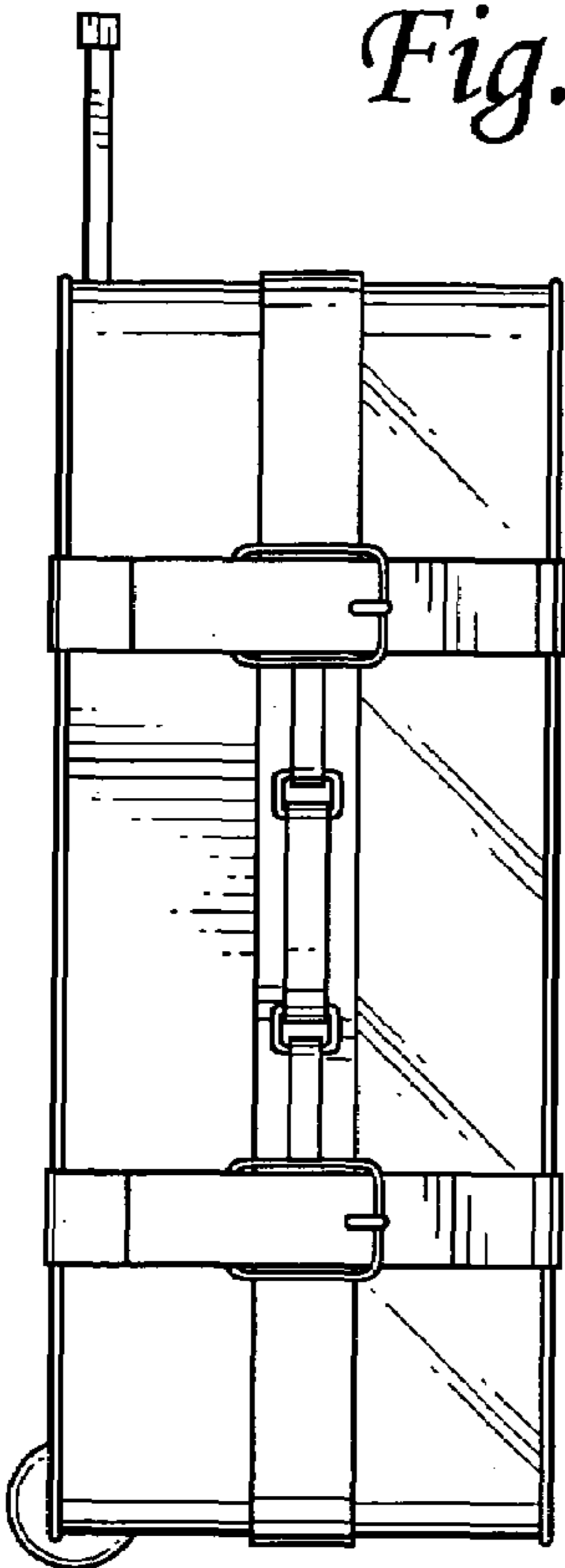


Fig. 5

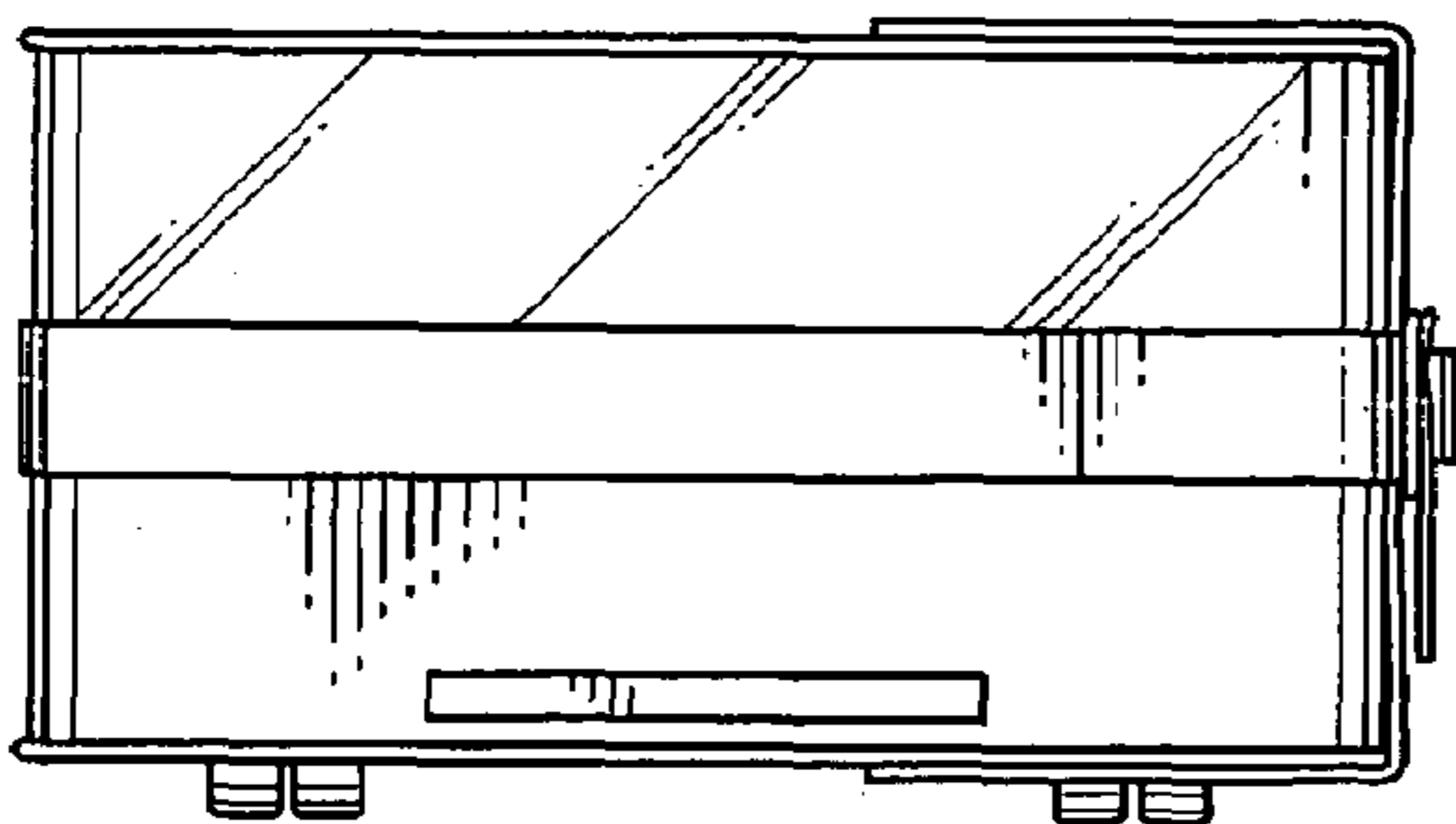
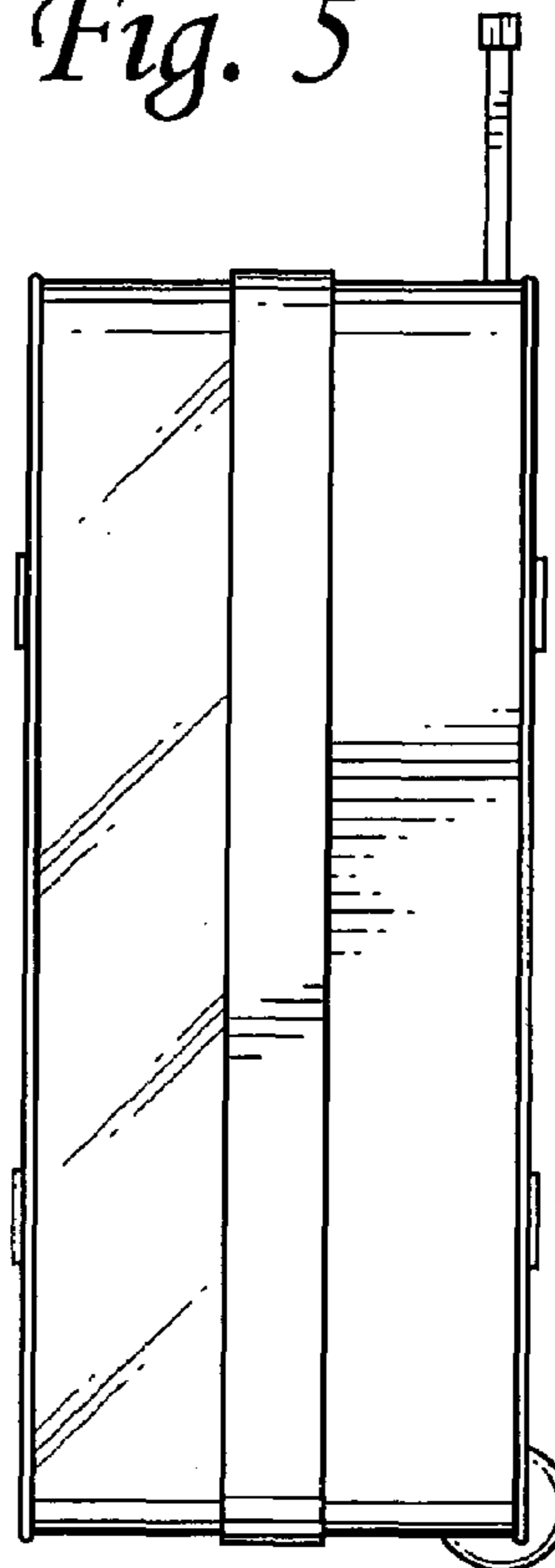


Fig. 6

Fig. 7

