



US00D600441S

(12) **United States Design Patent**
Estrada

(10) **Patent No.:** **US D600,441 S**

(45) **Date of Patent:** **** Sep. 22, 2009**

(54) **PORTION OF A PILL DISPENSER**

7,159,720 B2 1/2007 Pearson

* cited by examiner

(76) Inventor: **Luis F. Villegas Estrada**, 18329 Regina Ave., Torrance, CA (US) 90504

Primary Examiner—Catherine R Oliver

(74) *Attorney, Agent, or Firm*—Richard C. Litman

(**) Term: **14 Years**

(21) Appl. No.: **29/311,058**

(57) **CLAIM**

(22) Filed: **Dec. 17, 2008**

The ornamental design for a portion of a pill dispenser, as shown and described.

(51) **LOC (9) Cl.** **03-01**

DESCRIPTION

(52) **U.S. Cl.** **D3/203.3**

(58) **Field of Classification Search** D3/203.3,

D3/203.1, 203.2, 203.4, 203.5, 203.6, 203.7,

D3/203.8, 201, 205; 206/52-540; D7/553.8

See application file for complete search history.

FIG. 1 is a perspective view of a portion of a pill dispenser showing my new design;

FIG. 2 is a front elevational view thereof;

FIG. 3 is a rear elevational view thereof;

FIG. 4 is a left side elevational view thereof;

FIG. 5 is a right side elevational view thereof;

FIG. 6 is a top plan view thereof; and,

FIG. 7 is a bottom plan view thereof.

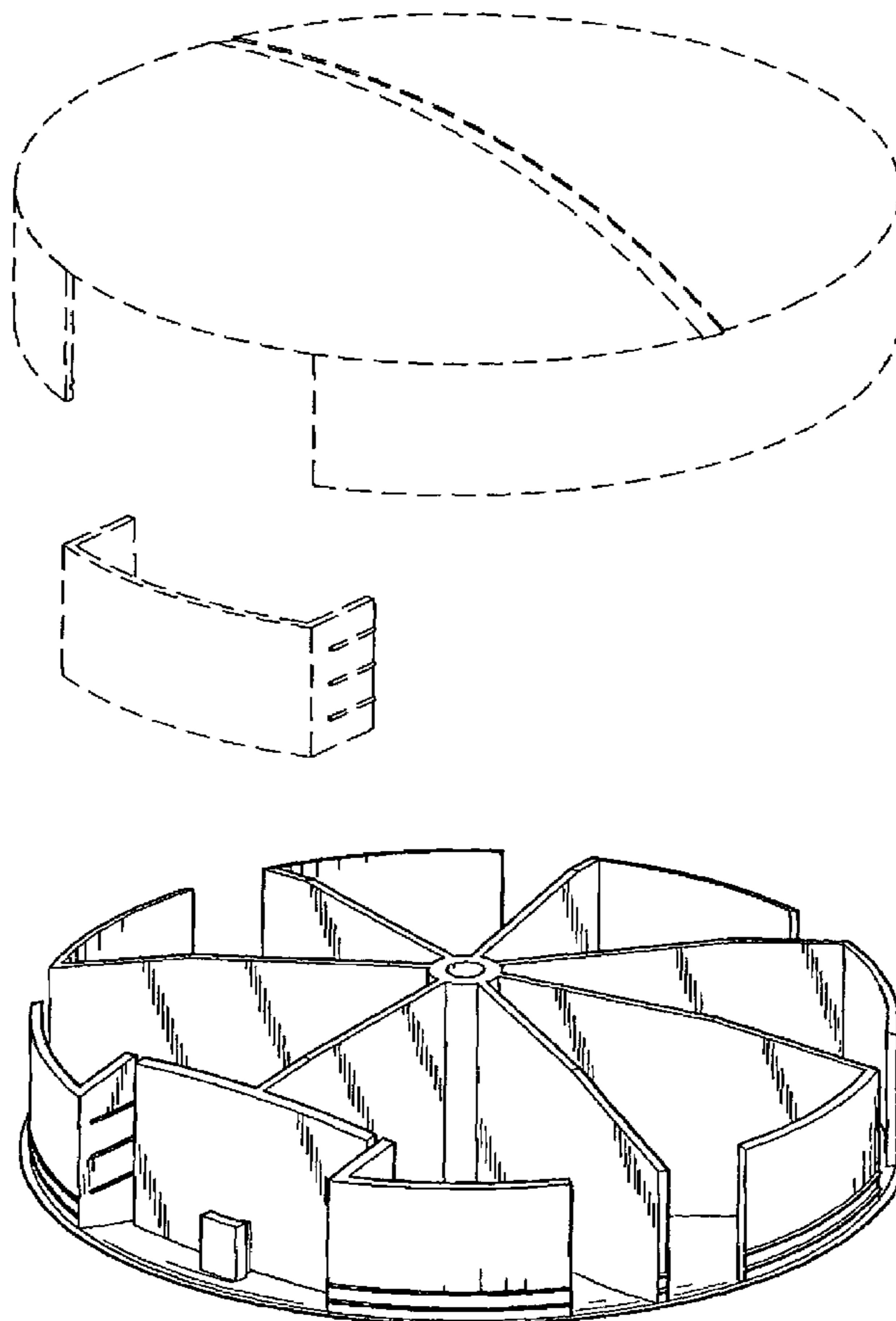
(56) **References Cited**

U.S. PATENT DOCUMENTS

3,450,306	A *	6/1969	Gill	206/528
4,083,452	A	4/1978	Rossmo		
4,261,468	A	4/1981	Krebs		
D348,219	S *	6/1994	Goldberg	D3/203.4
5,322,166	A *	6/1994	Crowther	206/538
5,762,199	A	6/1998	Aguilera		
7,128,213	B2 *	10/2006	Tung et al.	206/538

The broken line showing of the other portions of the pill dispenser is for illustrative purposes only and forms no part of the claimed design.

1 Claim, 7 Drawing Sheets



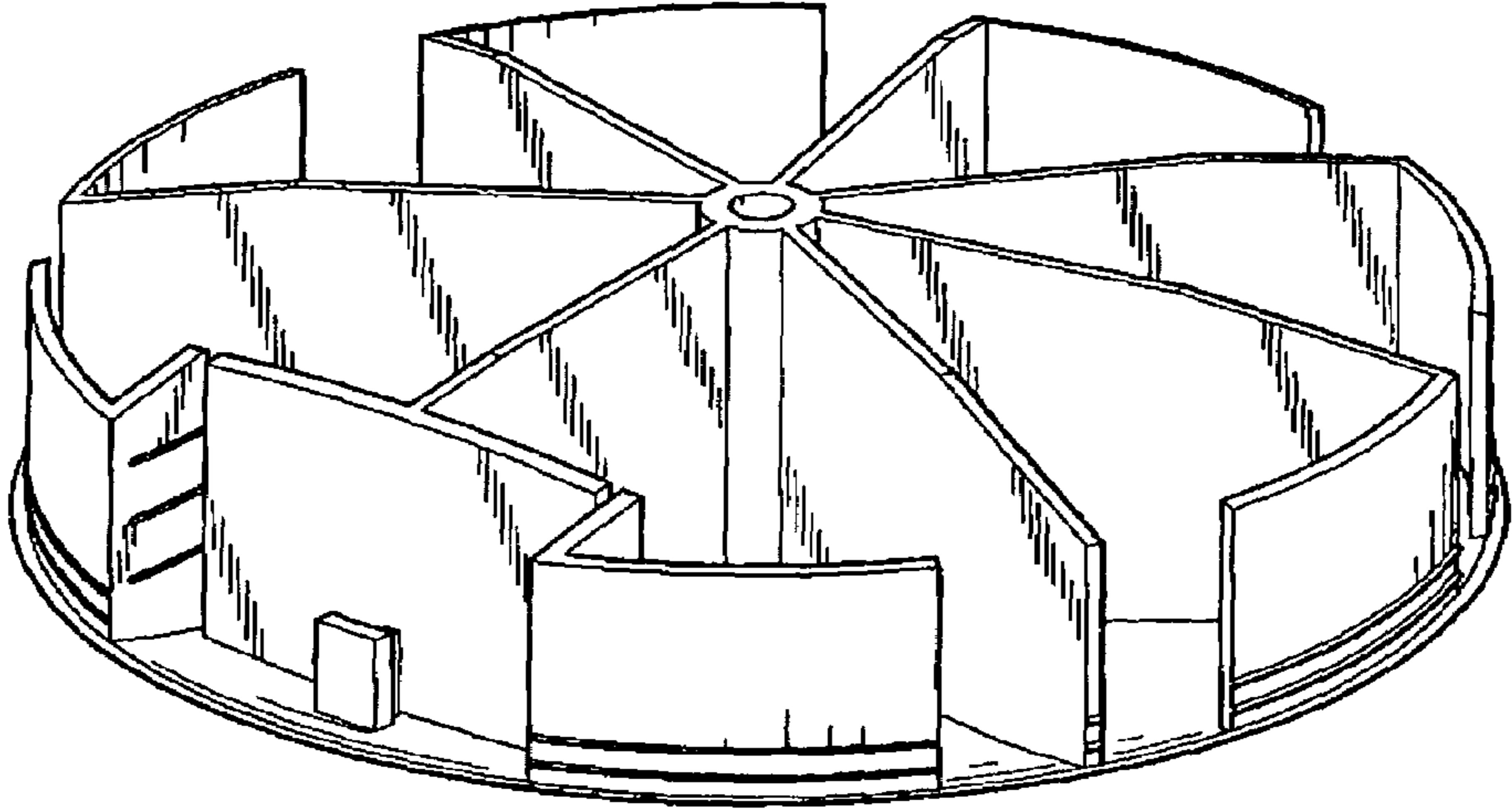
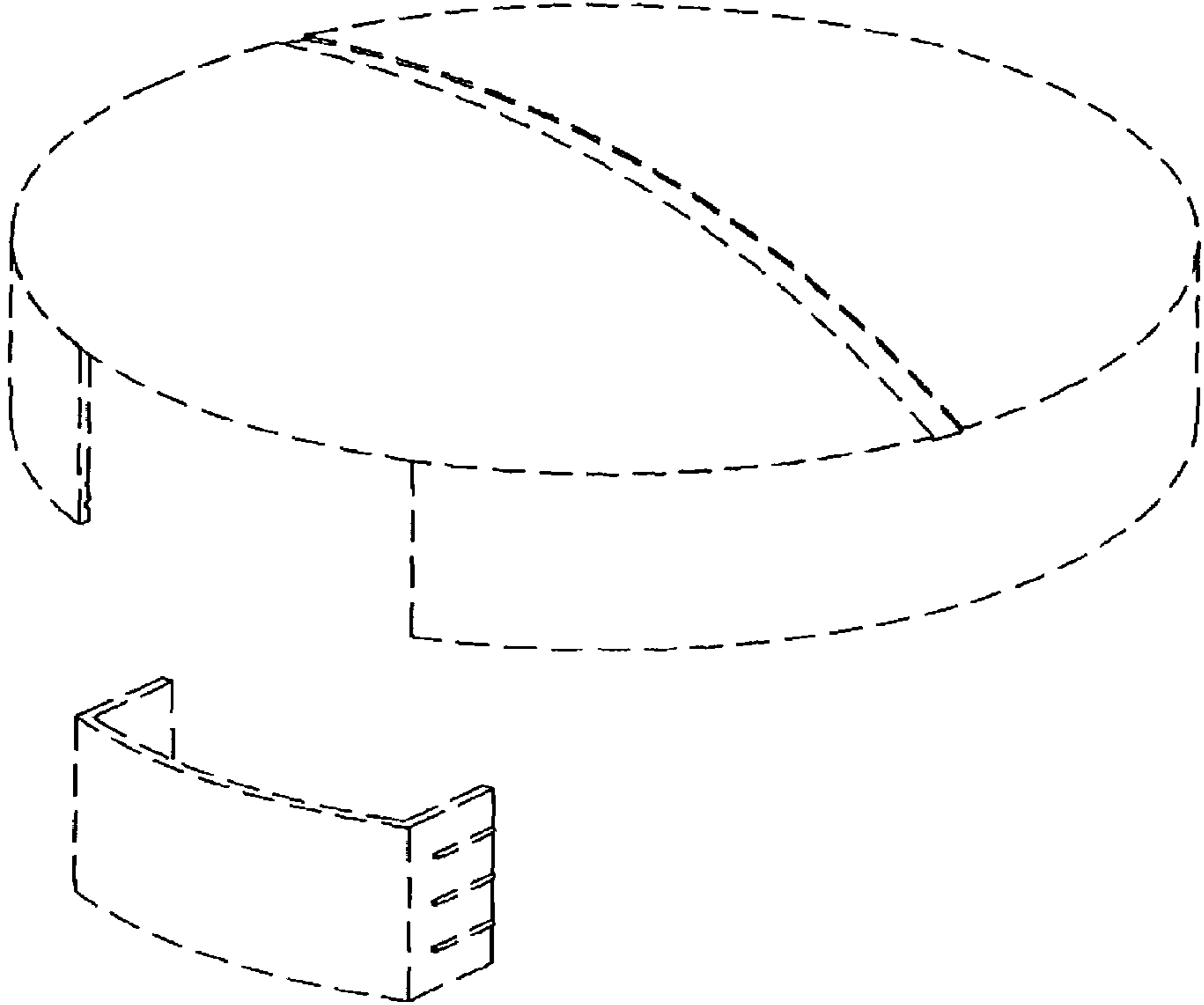


FIG. 1

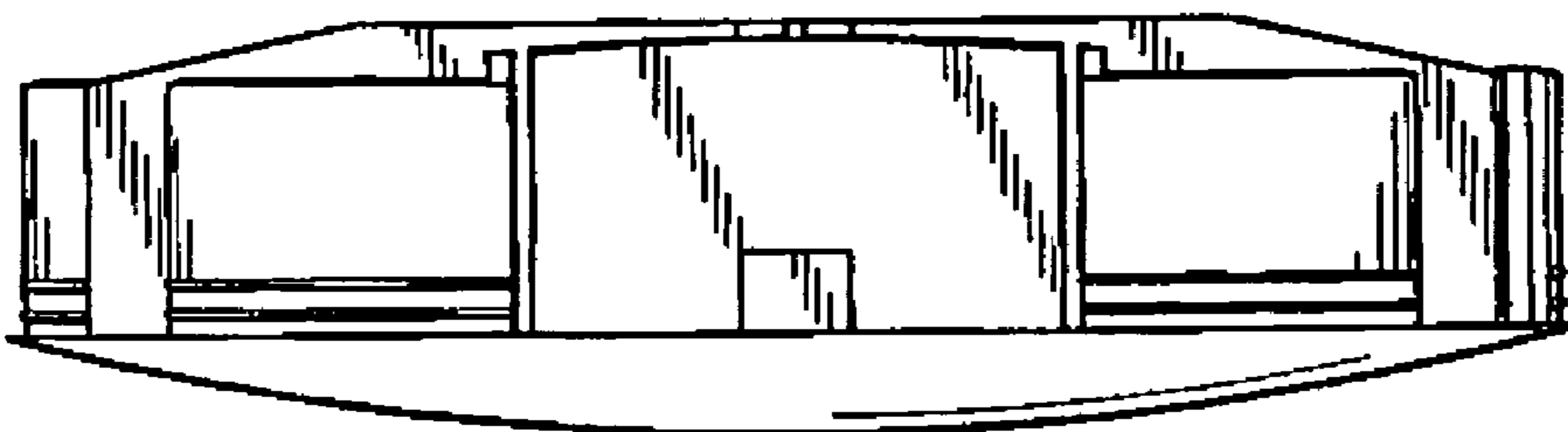
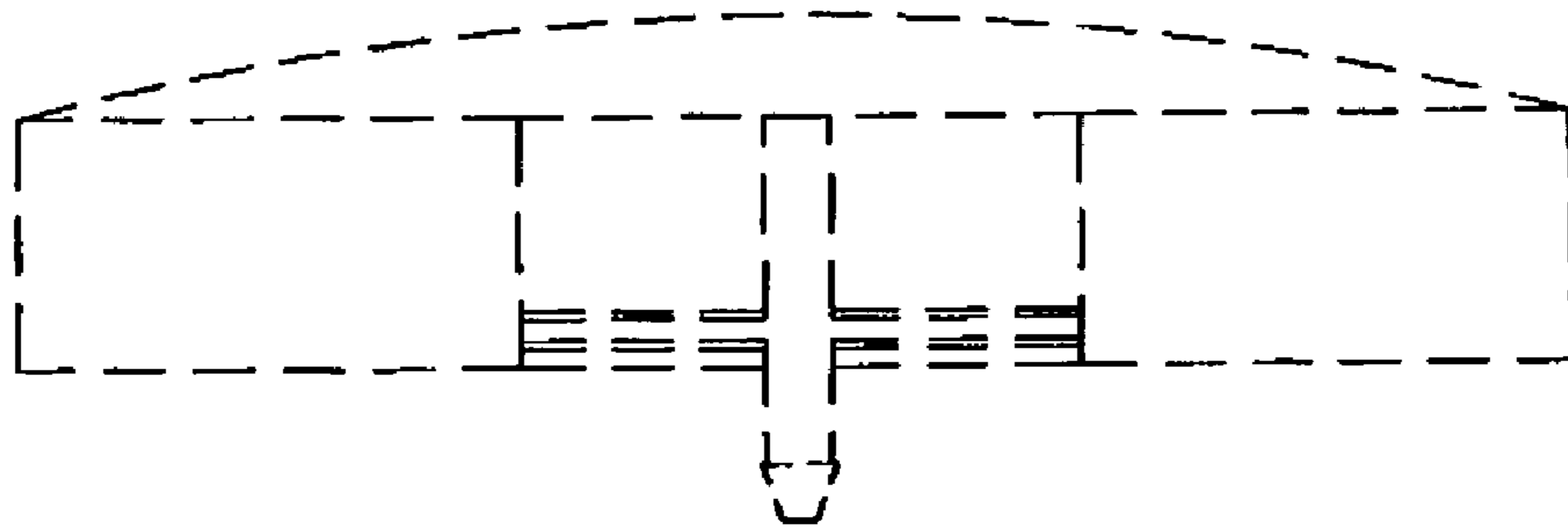


FIG. 2

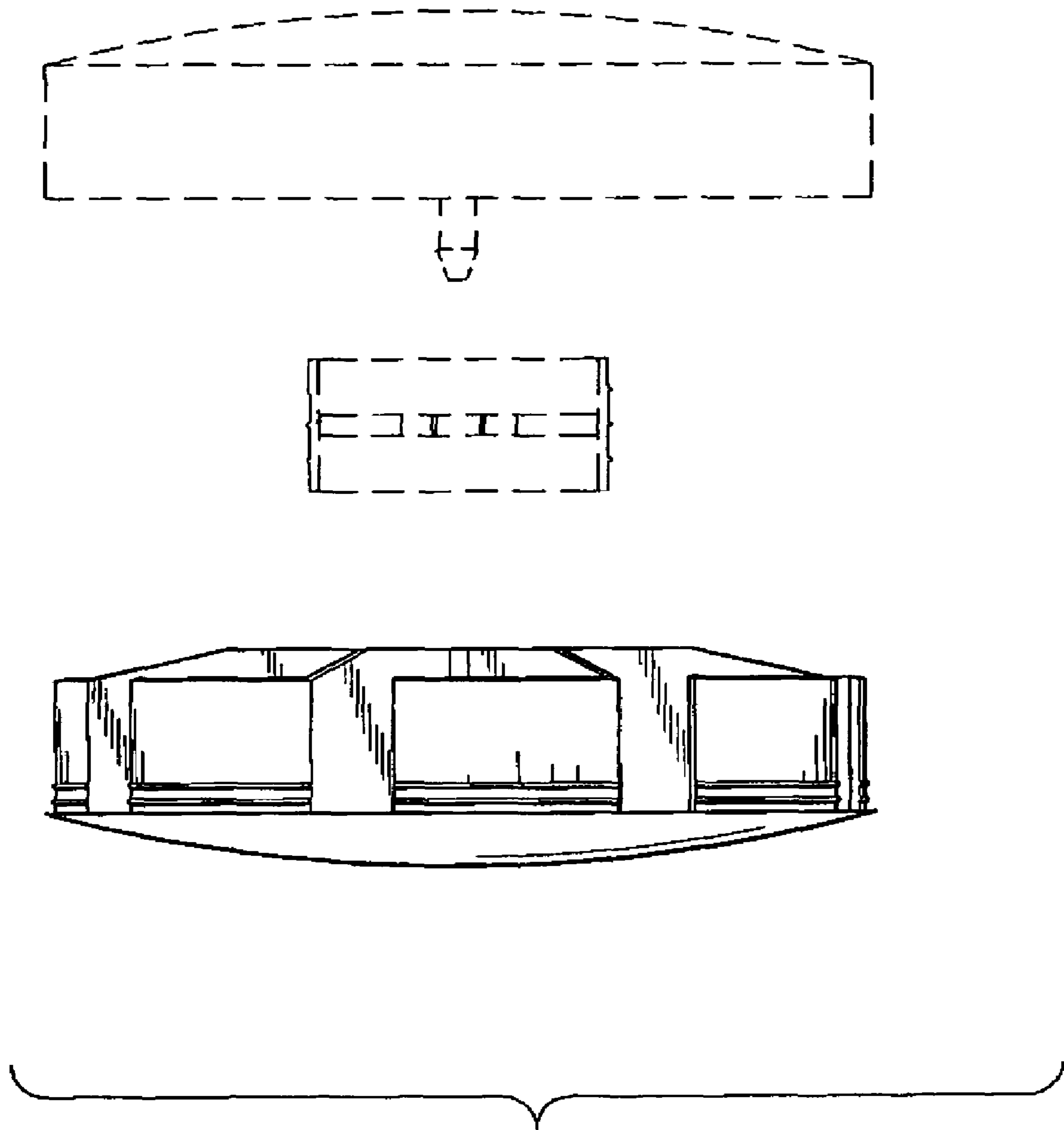


FIG. 3

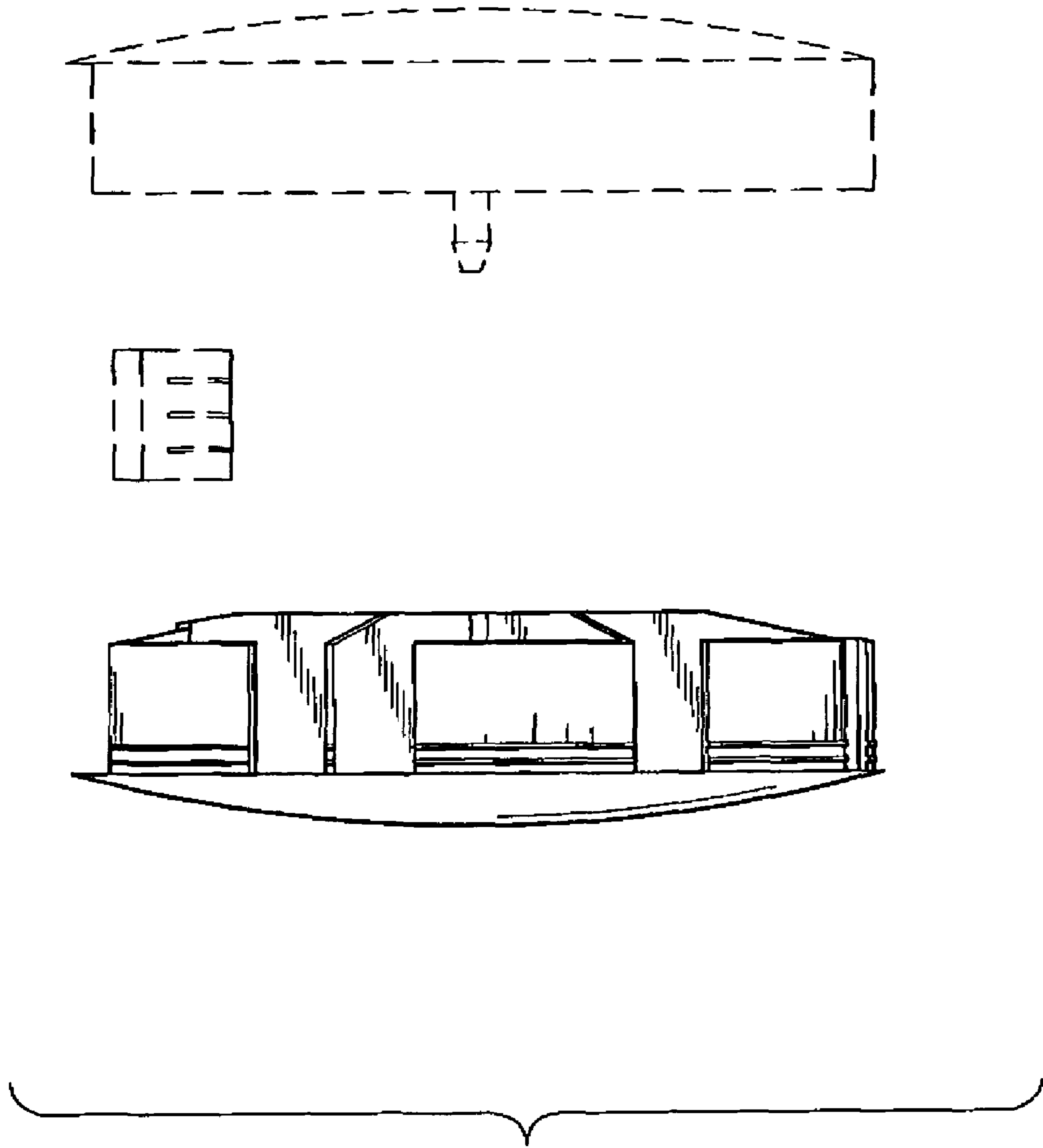


FIG. 4

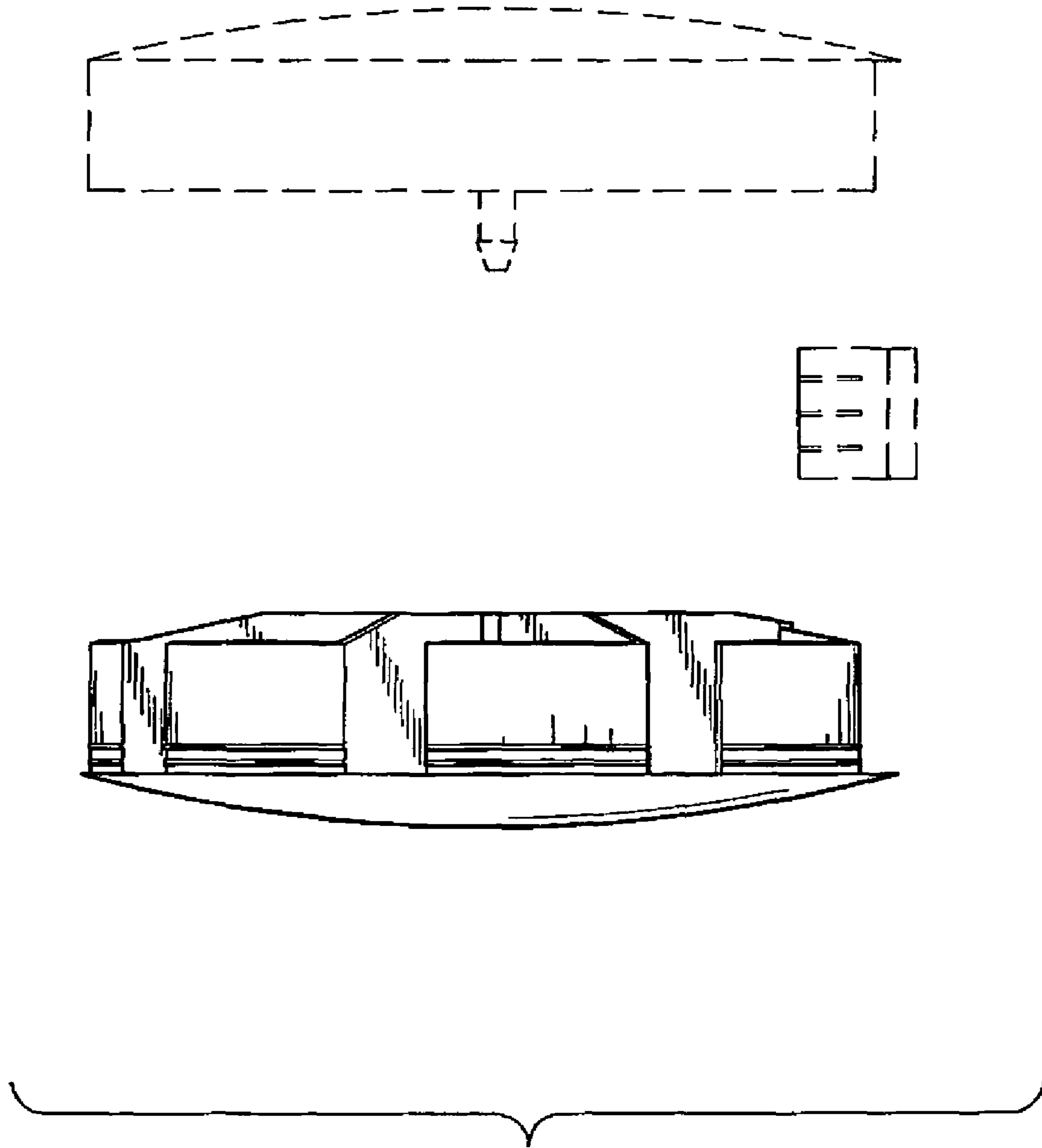


FIG. 5

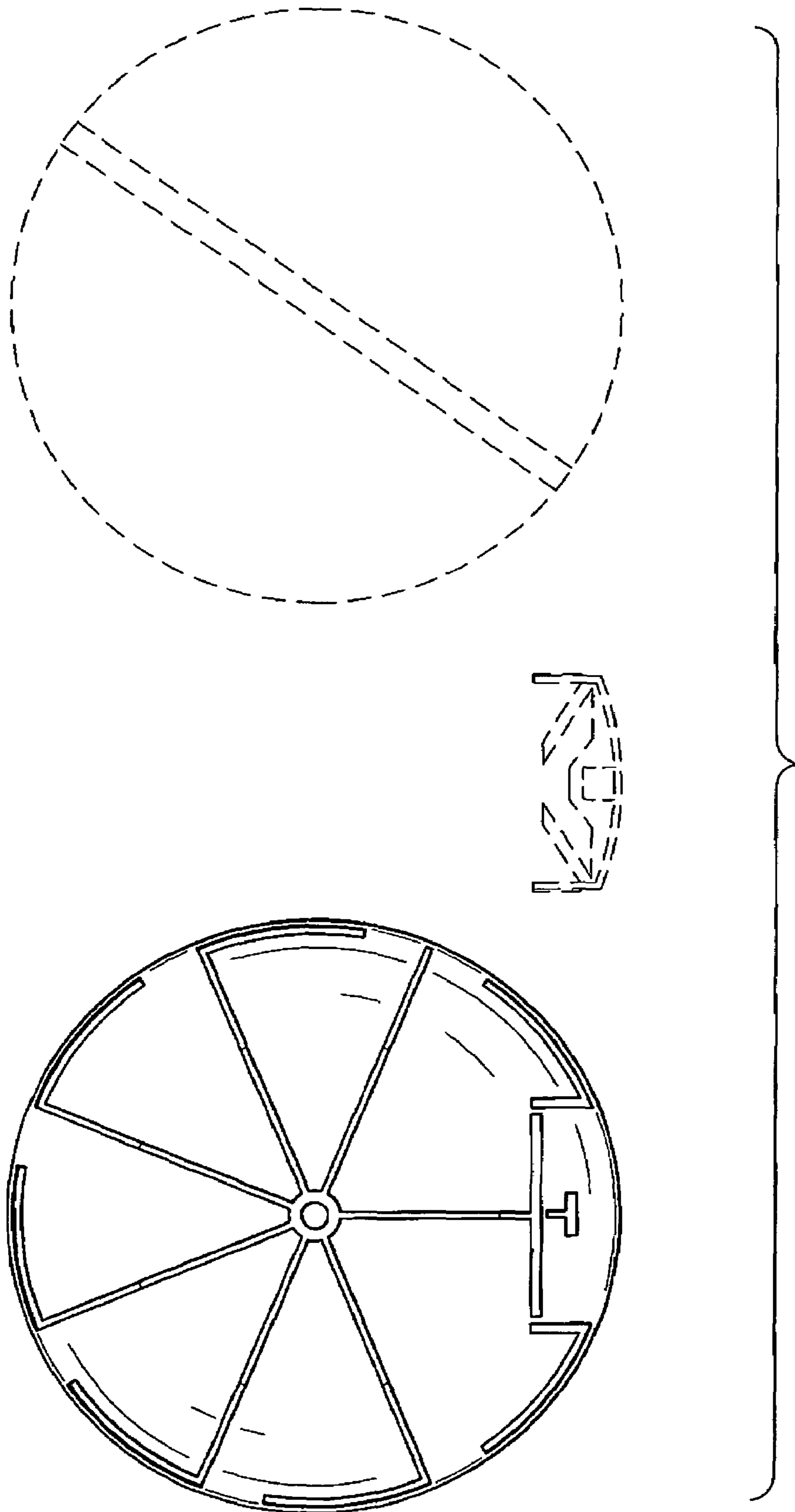


FIG. 6

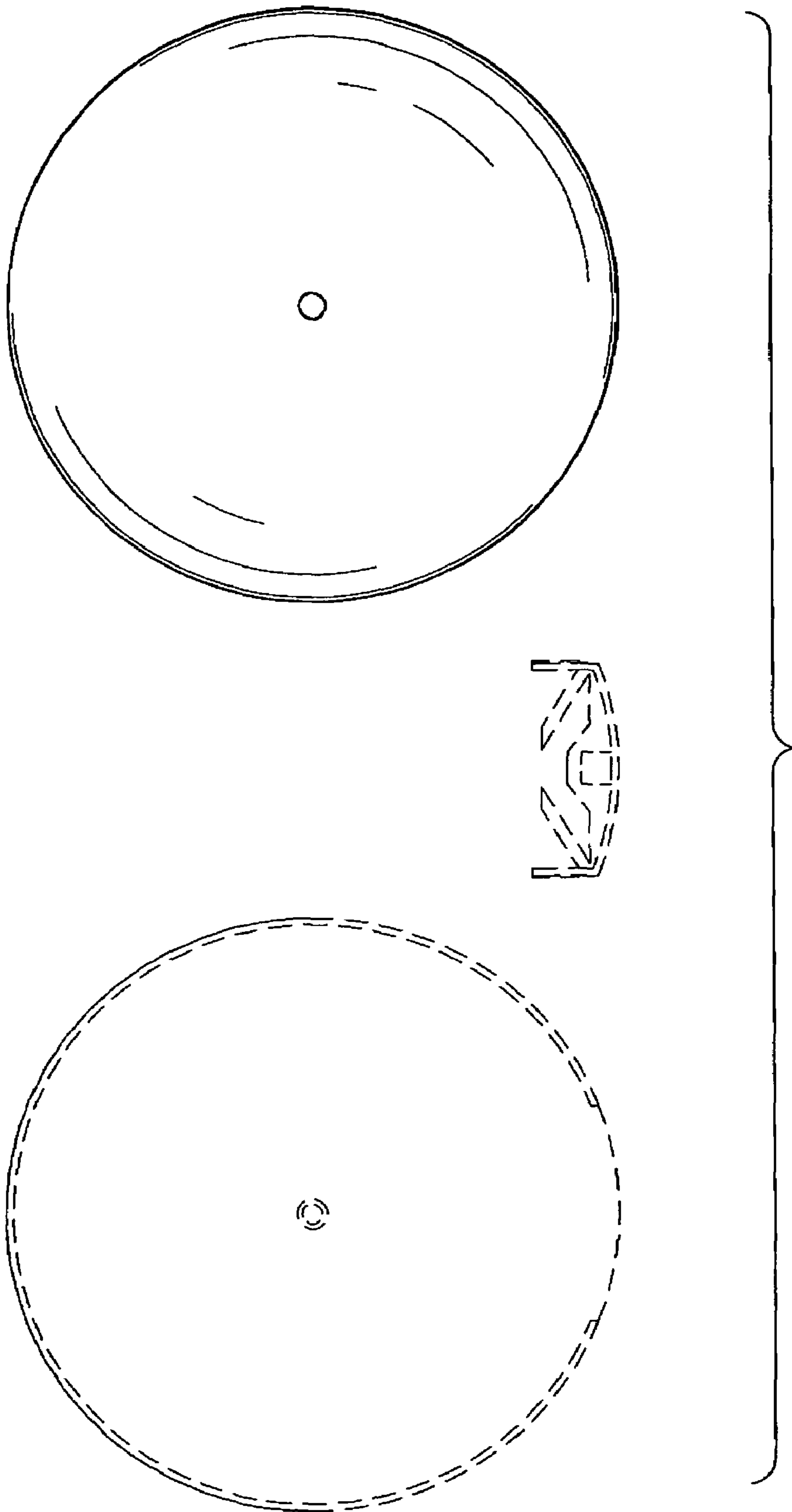


FIG. 7