



US00D600433S

(12) **United States Design Patent**  
**Issler**

(10) **Patent No.:** **US D600,433 S**

(45) **Date of Patent:** **\*\* Sep. 22, 2009**

(54) **OUTSOLE FOR A SHOE**

(75) Inventor: **David C. Issler**, North Andover, MA  
(US)

(73) Assignee: **Columbia Insurance Company**,  
Omaha, NE (US)

(\*\*) Term: **14 Years**

(21) Appl. No.: **29/299,374**

(22) Filed: **Dec. 24, 2007**

(51) **LOC (9) Cl.** ..... **02-04**

(52) **U.S. Cl.** ..... **D2/952; D2/951; D2/953**

(58) **Field of Classification Search** ..... D2/902,  
D2/947, 951, 952, 953, 954, 956, 957, 958,  
D2/960; 36/103, 3 B, 22 R, 25 R, 32 R, 59 C,  
36/67 A; 5/32, 37

See application file for complete search history.

(56) **References Cited**

**U.S. PATENT DOCUMENTS**

D65,410 S *	8/1924	Kaplan	.....	D11/117
D87,994 S *	10/1932	George	.....	D5/16
1,974,543 A	9/1934	Reymond	.....	12/142
D98,494 S *	2/1936	Boysen	.....	D5/24
2,046,217 A	6/1936	Strauss	.....	36/72
2,079,237 A	5/1937	Allard	.....	36/2
2,160,768 A	5/1939	Wasser	.....	36/72
2,344,069 A	3/1944	Wasser	.....	36/72
3,091,871 A	6/1963	Tronche	.....	36/72
3,175,310 A	3/1965	MacQuaid	.....	36/72
3,175,311 A	3/1965	MacQuaid	.....	36/72
3,191,321 A	6/1965	Brutting	.....	36/2.5
3,213,551 A	10/1965	Krauss	.....	36/2.5
3,407,518 A	10/1968	MacQuaid et al.	.....	36/72
3,525,165 A	8/1970	Randall, Jr	.....	36/2.5
3,561,142 A	2/1971	Streit, Sr. et al.	.....	36/72
D256,518 S	8/1980	Moesle	.....	D2/320
4,231,170 A	11/1980	Griswold	.....	36/72
4,366,629 A	1/1983	Scherz	.....	36/4
4,562,652 A	1/1986	Hensler	.....	36/102
4,908,963 A	3/1990	Krajcir et al.	.....	36/77

4,995,174 A	2/1991	Hong et al.	.....	36/72
5,048,203 A	9/1991	Kling	.....	36/32
5,185,944 A	2/1993	Okajima	.....	36/45
D335,953 S	6/1993	Tyng	.....	D2/320
D345,453 S	3/1994	Carpenter	.....	D2/955
5,499,459 A	3/1996	Tomaro	.....	36/10
D369,234 S *	4/1996	Fabio	.....	D2/952
5,526,584 A	6/1996	Bleimhofer et al.	.....	36/10
D381,494 S	7/1997	Anderson	.....	D2/959
D384,798 S	10/1997	Gray	.....	D2/964
5,738,937 A	4/1998	Baychar	.....	428/316.6
D402,449 S	12/1998	Robinson et al.	.....	D2/951
D430,968 S	9/2000	Carroll	.....	D2/962
6,161,315 A	12/2000	Dalton	.....	36/134

(Continued)

*Primary Examiner*—Celia A Murphy  
(74) *Attorney, Agent, or Firm*—DeLio & Peterson, LLC;  
David Chen

(57) **CLAIM**

The ornamental design for an outsole for a shoe, as shown and described.

**DESCRIPTION**

FIG. 1 is a bottom perspective view of an outsole for a shoe showing my new design;

FIG. 2 is a bottom view thereof;

FIG. 3 is a right side view thereof;

FIG. 4 is a left side view thereof;

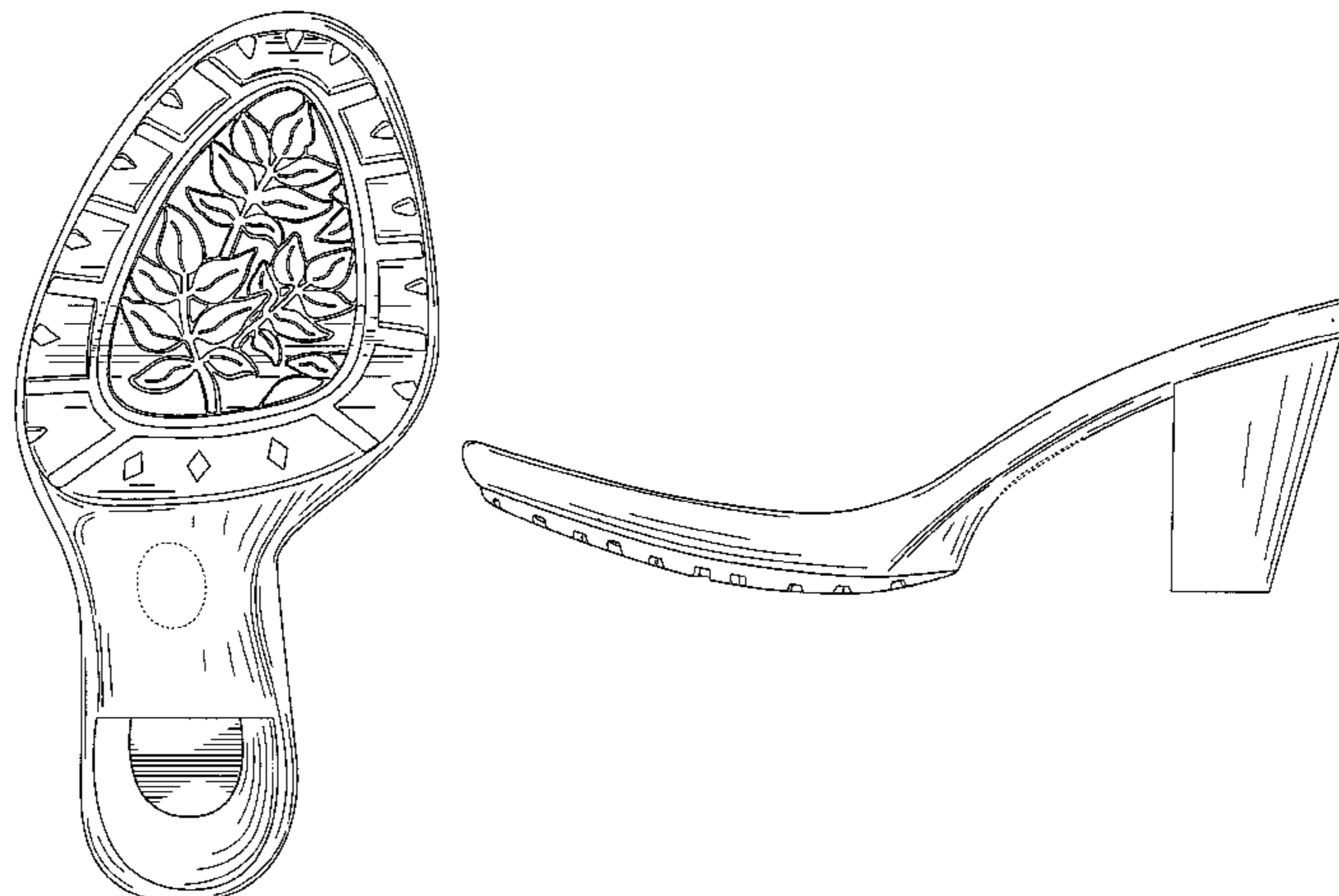
FIG. 5 is a front view thereof;

FIG. 6 is a rear view thereof; and,

FIG. 7 is an enlarged perspective view of the area labeled “7” in FIG. 1.

The broken lines shown in the arch area of FIGS. 1–4 represent boundaries of the design with the lines themselves and the areas within them forming no part of the claim.

**1 Claim, 5 Drawing Sheets**



# US D600,433 S

Page 2

## U.S. PATENT DOCUMENTS

D468,083 S	1/2003	Morais .....	D2/960	D553,832 S *	10/2007	McClaskie .....	D2/952
D483,555 S	12/2003	Robinson, Jr. et al. ....	D2/954	D558,963 S *	1/2008	McClaskie .....	D2/952
D495,121 S *	8/2004	McClaskie .....	D2/952	D584,886 S *	1/2009	Issler .....	D2/952
D495,856 S *	9/2004	McClaskie .....	D2/952	D585,634 S *	2/2009	McClaskie .....	D2/952
D497,468 S *	10/2004	McClaskie .....	D2/952	D587,438 S *	3/2009	McClaskie .....	D2/952
D501,707 S	2/2005	Nakano .....	D2/959	D587,439 S *	3/2009	Issler .....	D2/952
D525,017 S *	7/2006	Ochoa .....	D2/952	D589,240 S *	3/2009	McClaskie .....	D2/952
D528,747 S *	9/2006	Issler .....	D2/916	D590,141 S *	4/2009	McClaskie .....	D2/952
D530,063 S *	10/2006	Issler .....	D2/916	D591,942 S *	5/2009	McClaskie .....	D2/952
D531,393 S *	11/2006	McClaskie .....	D2/952	D592,388 S *	5/2009	Issler .....	D2/952
D531,787 S *	11/2006	McClaskie .....	D2/952	D593,288 S *	6/2009	Issler .....	D2/952
D540,515 S *	4/2007	McClaskie .....	D2/952	D593,289 S *	6/2009	McClaskie .....	D2/952
D542,015 S *	5/2007	McClaskie .....	D2/952	D593,734 S *	6/2009	Issler .....	D2/952
D546,530 S *	7/2007	McClaskie .....	D2/952	D594,192 S *	6/2009	Issler .....	D2/952

\* cited by examiner

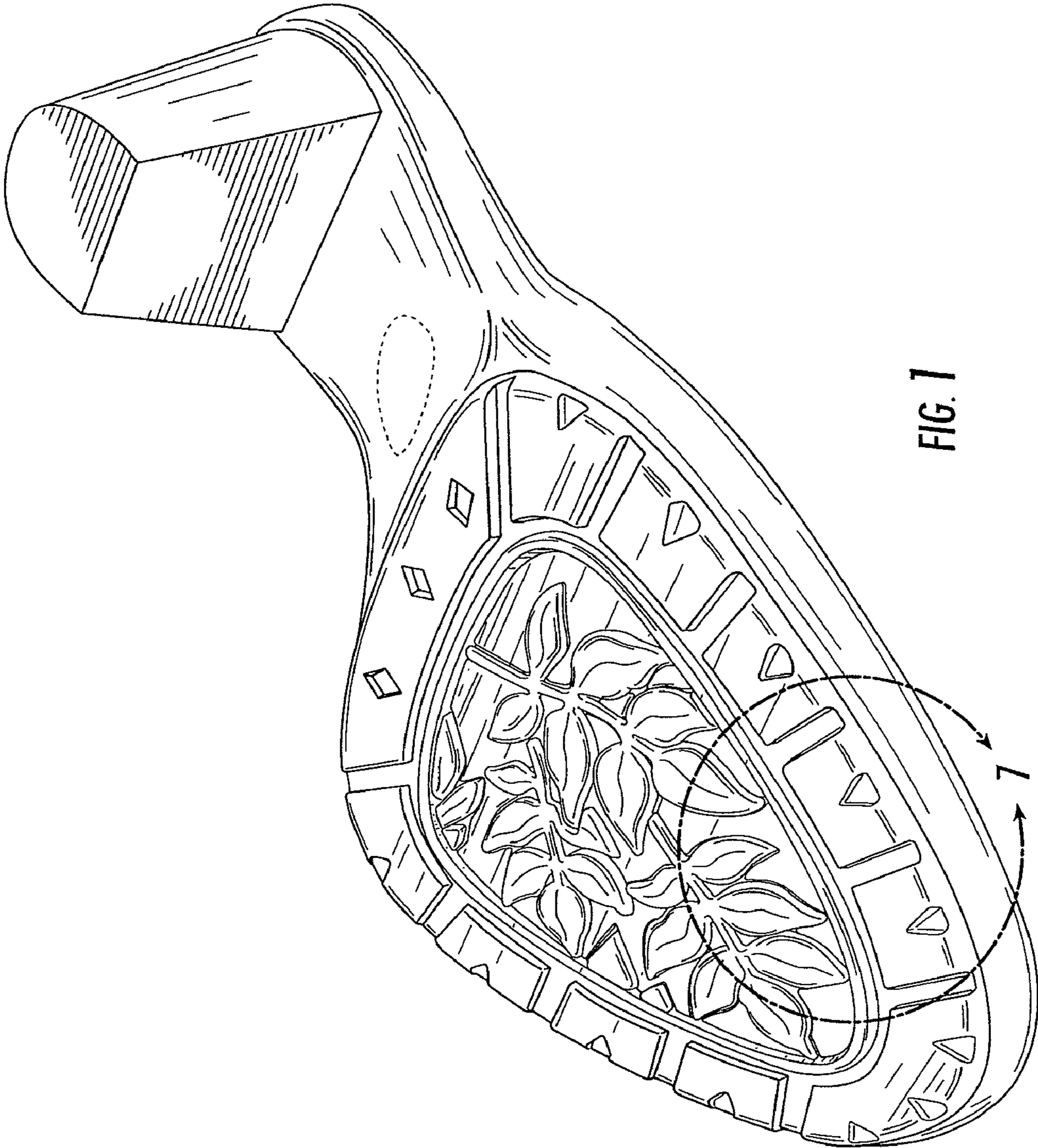


FIG. 1

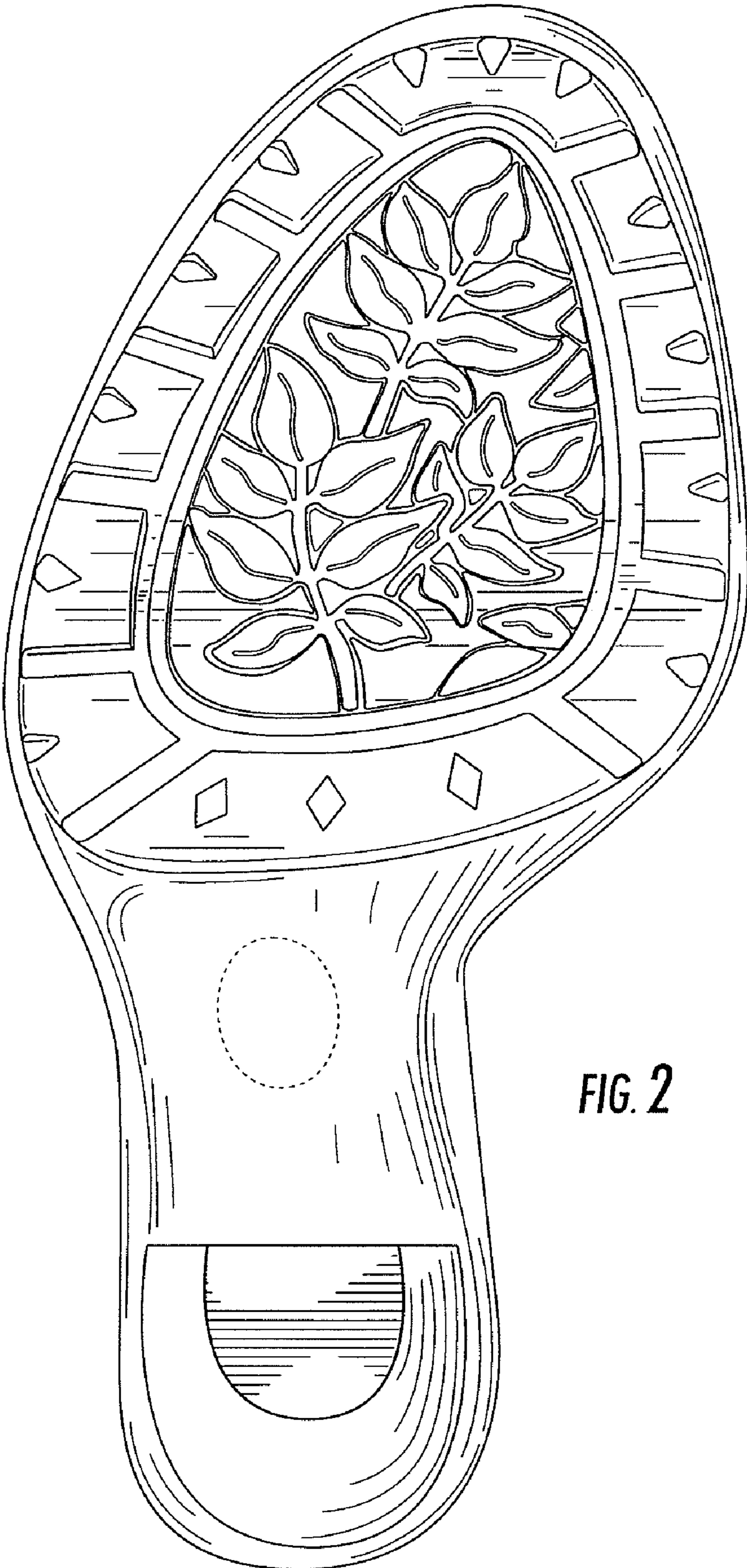


FIG. 2

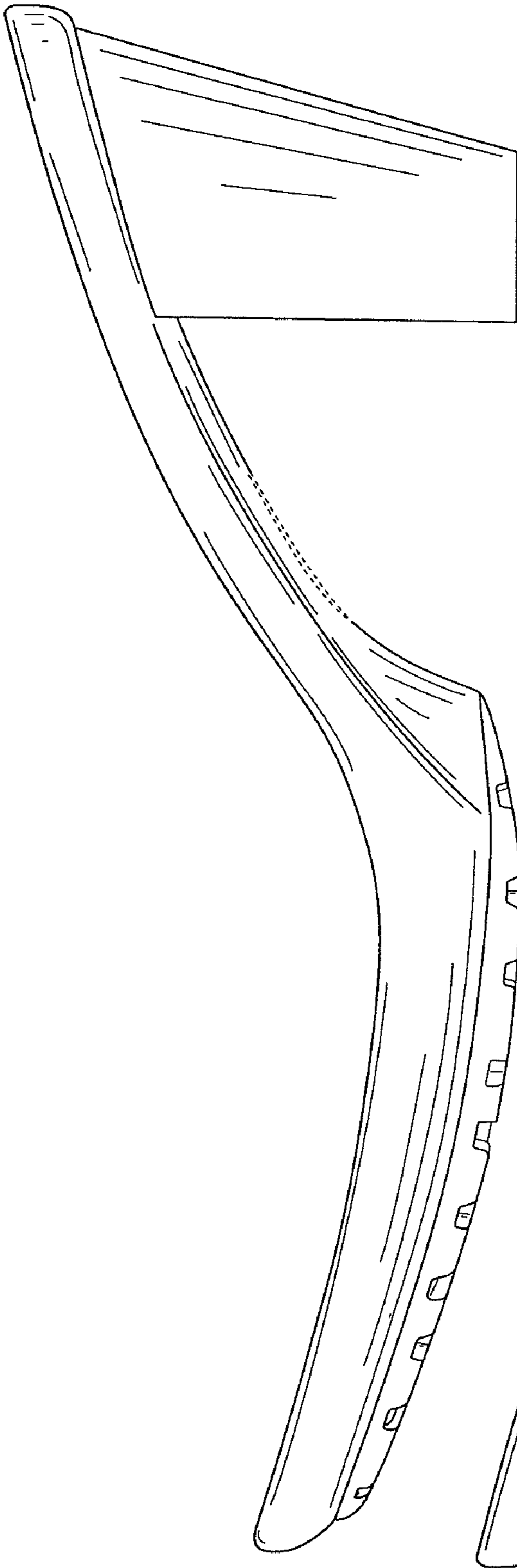


FIG. 3

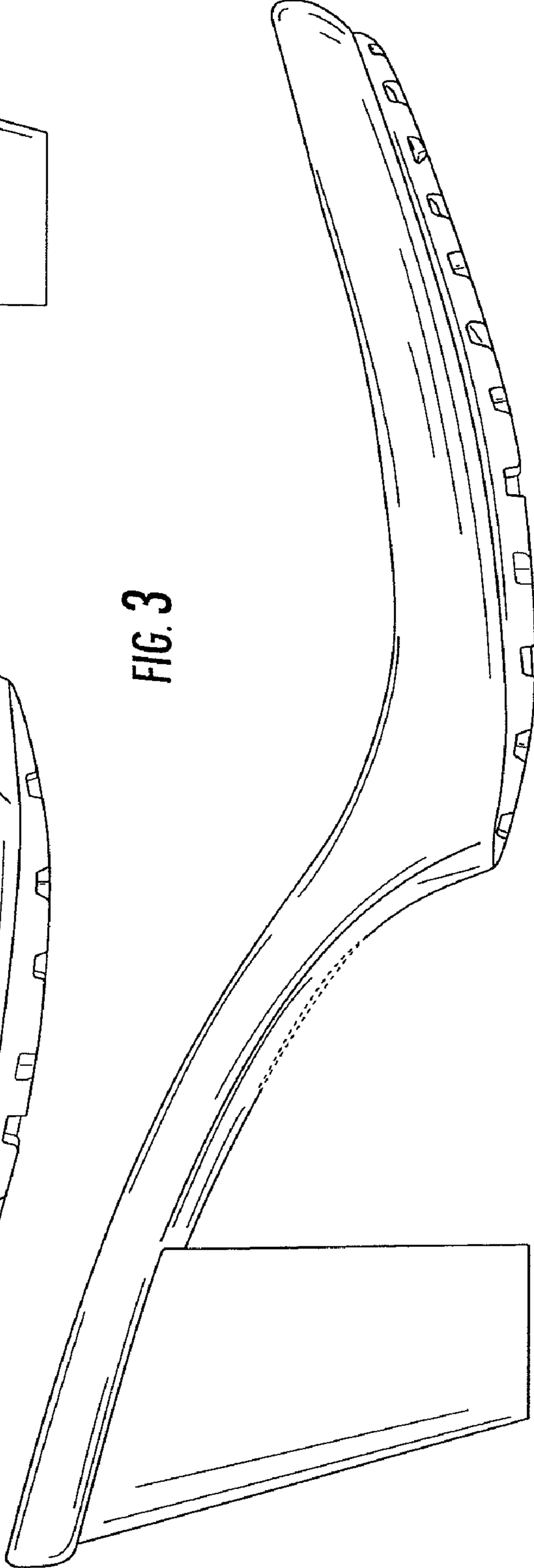
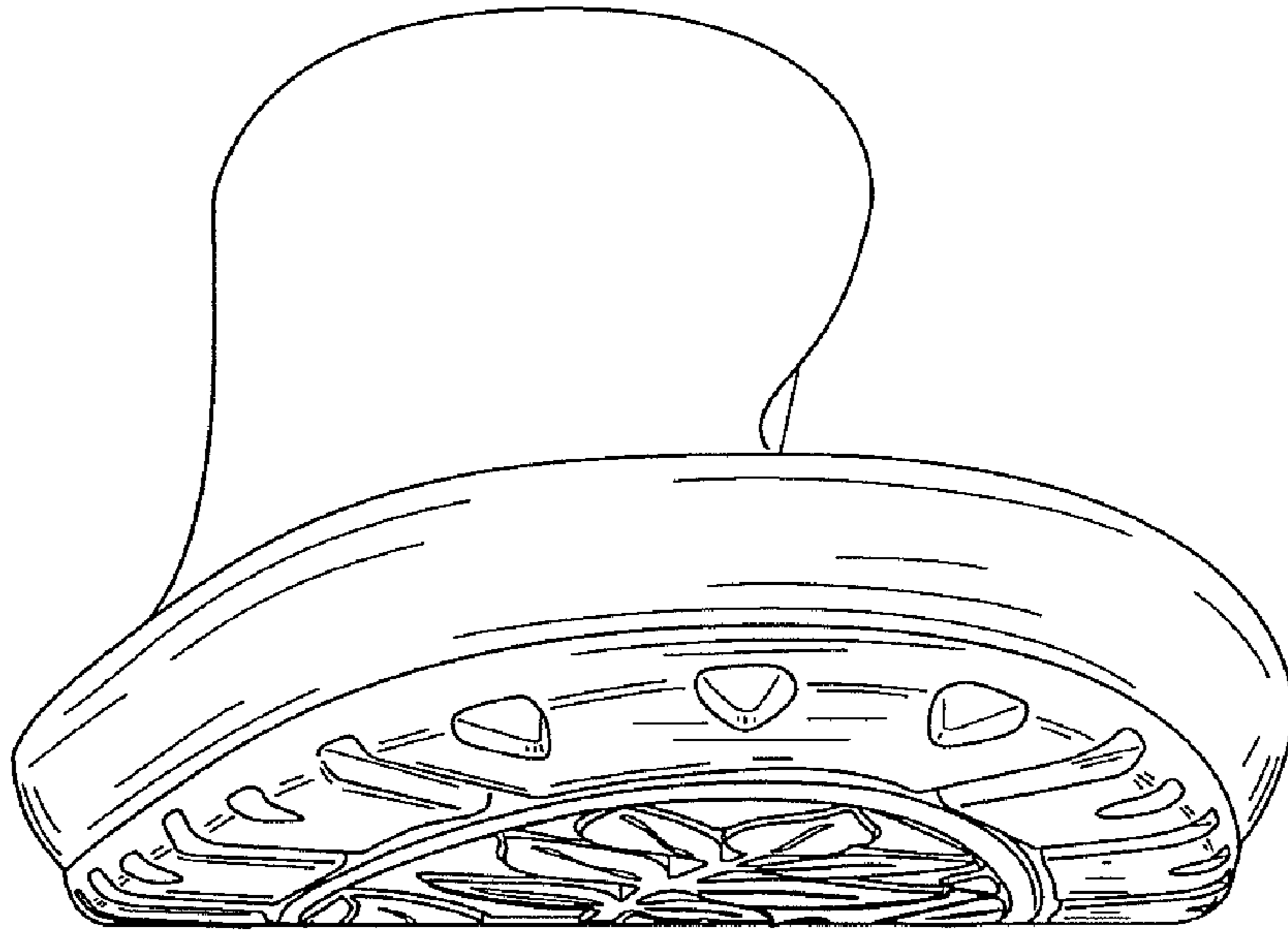
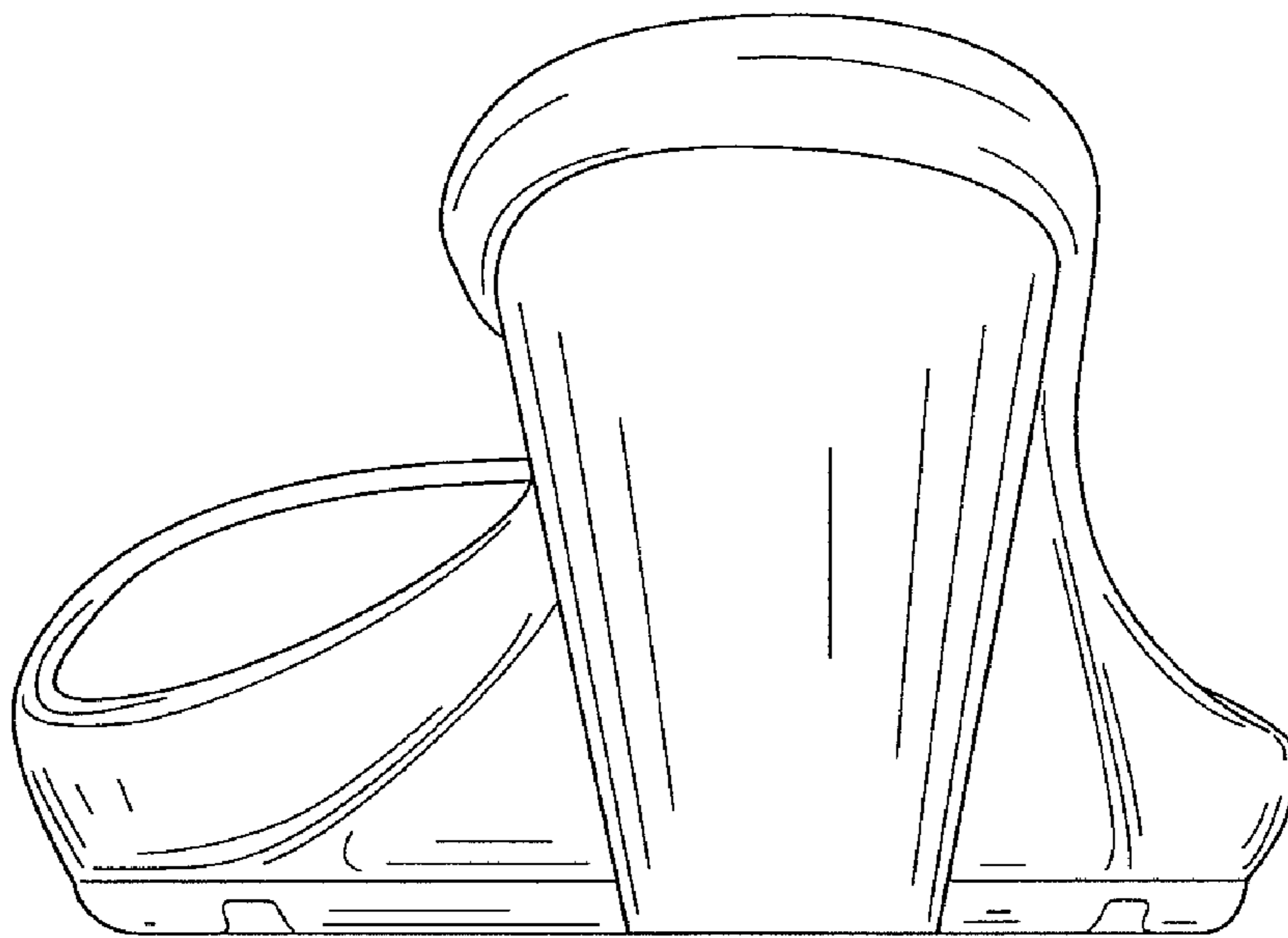


FIG. 4



**FIG. 5**



**FIG. 6**



FIG. 7