



US00D600432S

(12) **United States Design Patent**  
**Feller et al.**

(10) **Patent No.:** **US D600,432 S**

(45) **Date of Patent:** **\*\* Sep. 22, 2009**

- (54) **SHOE**
- (76) Inventors: **Craig Feller**, 29433 Gray Hawk Dr.,  
Evergreen, CO (US) 80439; **Douglas**  
**Wathen**, 8585 Tallady, Whittaker, MI  
(US) 48190
- (\*\*) Term: **14 Years**
- (21) Appl. No.: **29/330,488**
- (22) Filed: **Jan. 8, 2009**
- (51) **LOC (9) Cl.** ..... **02-04**
- (52) **U.S. Cl.** ..... **D2/917**
- (58) **Field of Classification Search** ..... D2/900,  
D2/916-918, 943, 946, 969, 974, 976; 36/45,  
36/11.5, 90, 101, 3 A, 50.1, 7.5, 9 R  
See application file for complete search history.

- 4,114,296 A 9/1978 Smith
- 4,172,330 A 10/1979 Kao
- 4,193,214 A 3/1980 Wang et al.
- 4,267,649 A 5/1981 Smith
- 4,279,083 A 7/1981 Dilg
- 4,297,798 A 11/1981 Colan
- 4,300,294 A 11/1981 Riecken
- 4,314,412 A 2/1982 Anderson et al.
- 4,343,057 A 8/1982 Bensley
- 4,348,820 A 9/1982 D'Alessio
- 4,363,177 A 12/1982 Boros
- 4,370,818 A 2/1983 Simoglou
- 4,439,935 A 4/1984 Kelly
- 4,450,633 A 5/1984 Connelly et al.
- 4,461,102 A 7/1984 DeVincentis
- 4,497,123 A 2/1985 Ehrlich et al.
- 4,563,787 A 1/1986 Drew et al.
- 4,745,693 A 5/1988 Brown
- 4,854,056 A 8/1989 Levin
- 4,869,000 A 9/1989 York, Jr.
- 4,887,369 A 12/1989 Bailey et al.
- 4,896,440 A 1/1990 Salaverria
- 4,967,750 A 11/1990 Cherniak et al.

(56) **References Cited**

U.S. PATENT DOCUMENTS

- 1,823,445 A 9/1931 Goldstone
- 2,253,860 A 8/1941 Martin
- D132,630 S 6/1942 Pfeffer
- 2,343,701 A 3/1944 Pickens
- 2,491,297 A 12/1949 Brown
- 2,495,984 A 1/1950 Roy
- 2,526,940 A 10/1950 Fello
- D161,707 S 1/1951 Peterson
- 2,590,648 A 3/1952 Pitz
- 2,607,133 A 8/1952 Marlowe
- 2,694,438 A 11/1954 Wilhelm
- 2,873,540 A 2/1959 Murphy
- 2,889,639 A 6/1959 Rudine
- 2,957,253 A 10/1960 Metzler
- 3,063,166 A 11/1962 Blavier
- 3,228,124 A 1/1966 Schwartz
- 3,455,037 A 7/1969 Vlas et al.
- 3,672,078 A 6/1972 Fukuoka et al.
- 3,739,501 A 6/1973 Barrett, Jr.
- 3,867,771 A 2/1975 Levine
- 3,983,642 A 10/1976 Liao et al.
- 4,069,601 A \* 1/1978 Robbins et al. .... 36/11.5
- 4,114,295 A 9/1978 Schaefer

(Continued)

*Primary Examiner*—Stella M Reid  
*Assistant Examiner*—Rashida C McCoy  
(74) *Attorney, Agent, or Firm*—Gifford, Krass, Sprinkle,  
Anderson & Citkowski, P.C.

(57) **CLAIM**

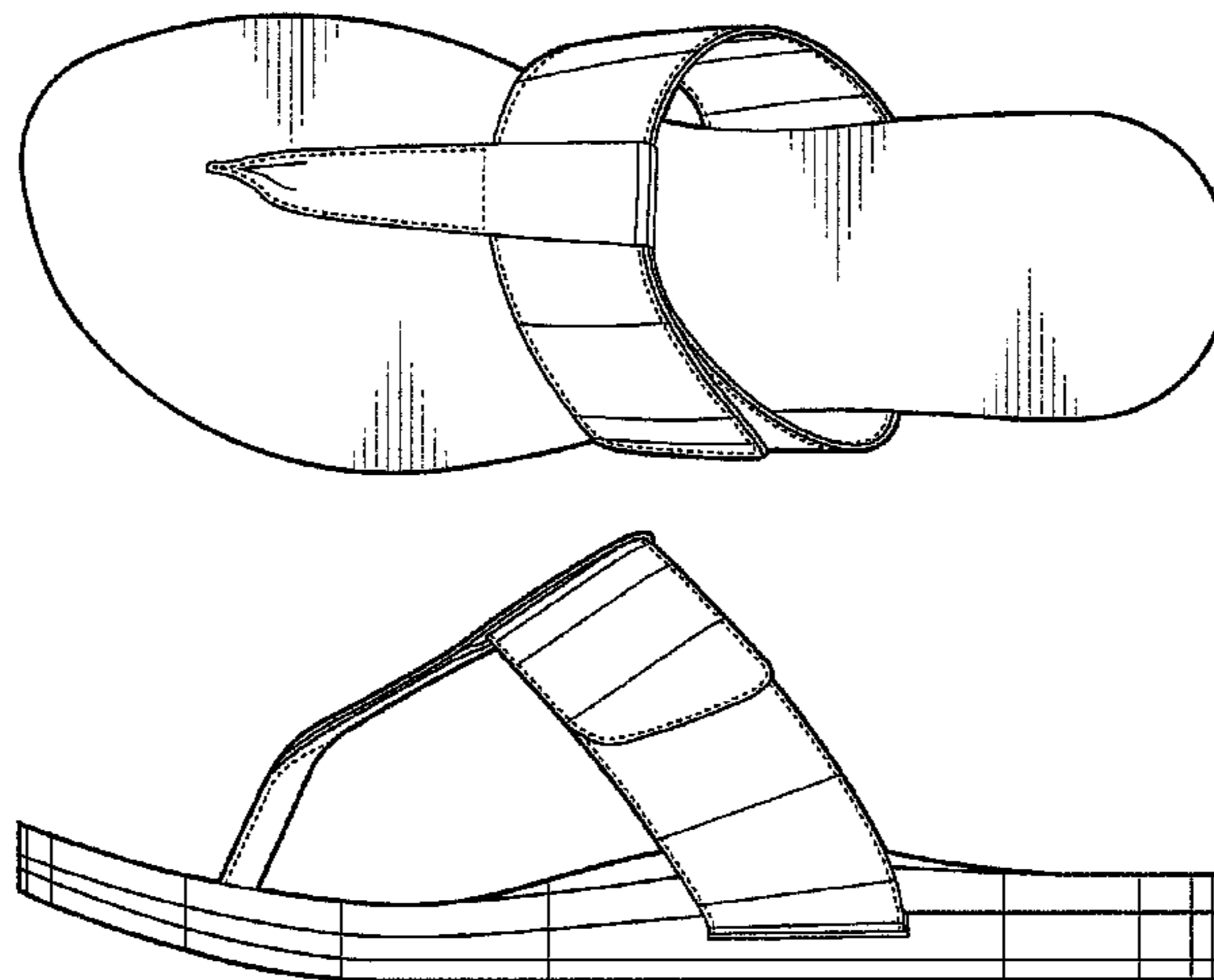
The ornamental design for shoe, as shown and described.

**DESCRIPTION**

FIG. 1 is a top view of a shoe, showing our new design;  
FIG. 2 is a side view thereof;  
FIG. 3 is a bottom view thereof;  
FIG. 4 is a front elevation view thereof; and,  
FIG. 5 is a rear elevation view thereof.

The broken lines shown in the Figures are for environmental purposes only and form no part of the claimed design.

**1 Claim, 2 Drawing Sheets**



# US D600,432 S

Page 2

## U.S. PATENT DOCUMENTS

5,052,131 A	10/1991	Rondini		D470,304 S	2/2003	Berg et al.
5,065,531 A	11/1991	Prestridge		D471,346 S	3/2003	Bray, Jr. et al.
D332,515 S *	1/1993	Middleton .....	D2/917	D485,050 S	1/2004	Lin
D333,904 S *	3/1993	Eminger .....	D2/917	D485,970 S	2/2004	Magro et al.
5,381,610 A	1/1995	Hanson		D485,971 S	2/2004	Magro et al.
5,410,821 A	5/1995	Hilgendorf		D492,474 S	7/2004	Branstrom
5,423,134 A	6/1995	Bagnaia et al.		D495,123 S *	8/2004	Wakatake .....
5,459,948 A	10/1995	Aveni		D495,124 S	8/2004	Wakatake
5,477,625 A	12/1995	Goldsmith et al.		6,792,696 B2	9/2004	Berg et al.
D365,923 S	1/1996	Crowley		D497,243 S	10/2004	McClaskie
5,483,757 A	1/1996	Frykberg		D499,236 S	12/2004	Magro et al.
D374,335 S	10/1996	Grimes		D511,241 S *	11/2005	Cobian .....
5,611,156 A	3/1997	Chiu		D514,778 S	2/2006	Berg et al.
D385,999 S	11/1997	Tong		D514,780 S	2/2006	Berg et al.
5,692,322 A	12/1997	Lombardino		D518,947 S	4/2006	Choi et al.
5,778,565 A	7/1998	Holt et al.		7,028,420 B2	4/2006	Tonkel
5,802,738 A	9/1998	Ferniani et al.		D521,214 S	5/2006	Choi et al.
5,836,090 A	11/1998	Smith		D528,747 S	9/2006	Issler
5,848,484 A	12/1998	Dupree et al.		7,117,615 B2	10/2006	Gerber
5,852,885 A	12/1998	Ferniani et al.		D535,085 S	1/2007	Berg et al.
D403,493 S	1/1999	McKinley		D535,464 S	1/2007	Belley et al.
5,896,684 A	4/1999	Lin et al.		7,162,814 B2	1/2007	Berg et al.
5,946,823 A	9/1999	Yates		7,174,657 B2	2/2007	Berg et al.
D421,828 S	3/2000	Malka		D542,514 S	5/2007	Amado et al.
6,035,554 A	3/2000	Duncan		D543,345 S	5/2007	Andersen et al.
6,128,834 A	10/2000	Vecchiola et al.		D545,034 S	6/2007	Amado et al.
D441,942 S	5/2001	Kelchak		D552,343 S	10/2007	Brandenburg
6,282,818 B1	9/2001	Lu et al.		D554,330 S	11/2007	White
D448,542 S *	10/2001	Bryant .....	D2/917	D558,435 S	1/2008	Masoodifar
D450,178 S *	11/2001	Boncutter .....	D2/917	D558,958 S	1/2008	Motomura et al.
D454,425 S	3/2002	Boncutter		7,328,527 B2	2/2008	Goldman
D467,407 S	12/2002	Berg et al.		D564,734 S	3/2008	Krompasick et al.
D467,709 S	12/2002	Berg et al.		D575,051 S	8/2008	Bartee
				D577,882 S	10/2008	Little

\* cited by examiner

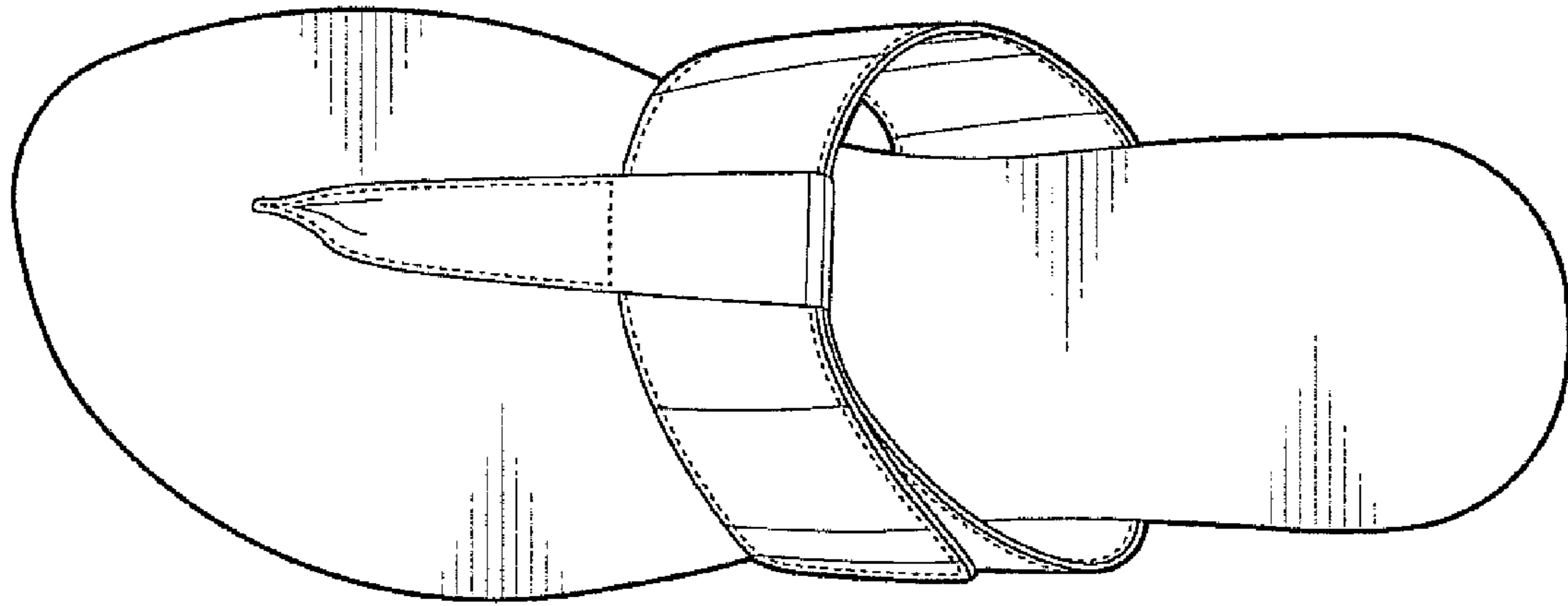


FIG. 1

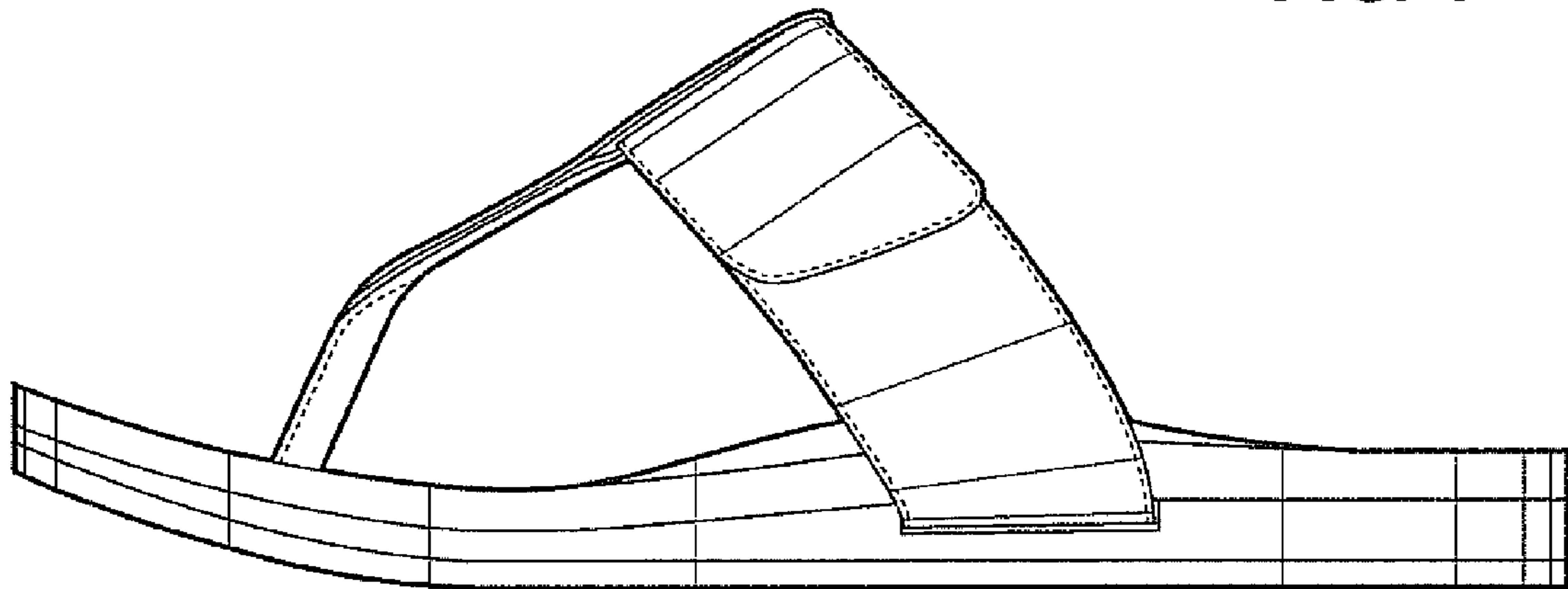


FIG. 2

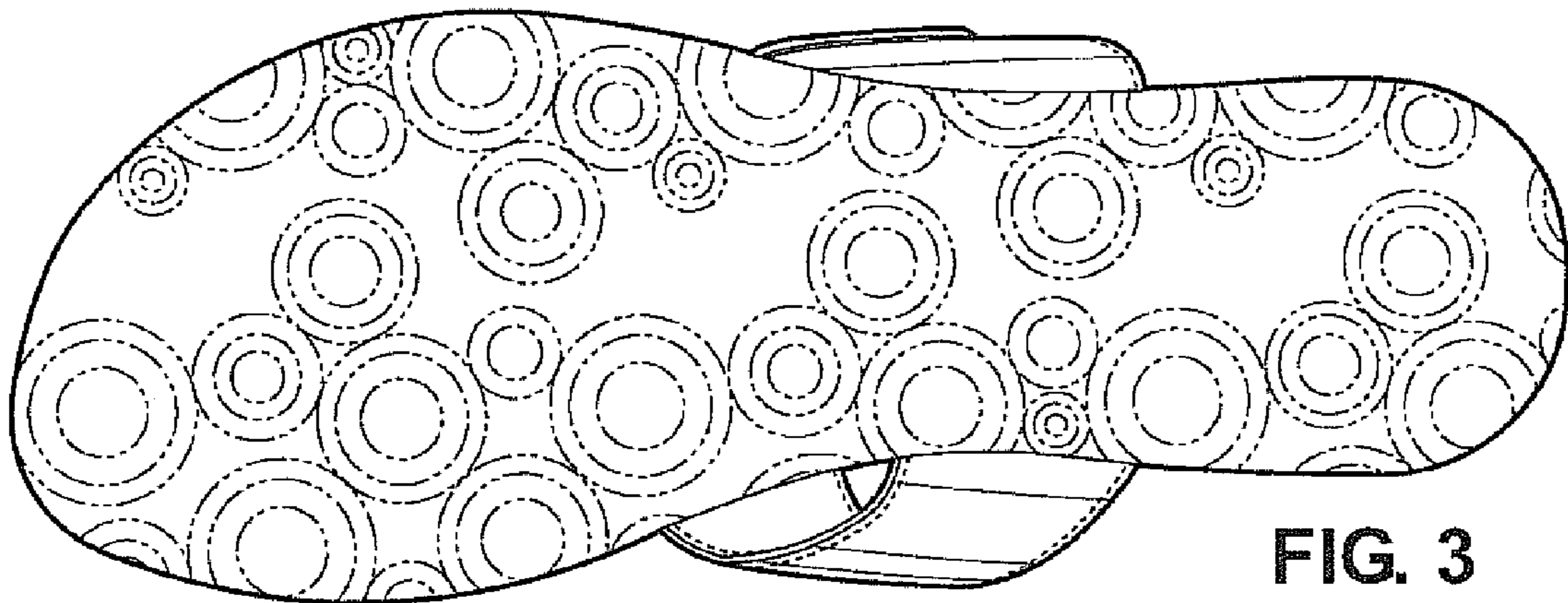


FIG. 3

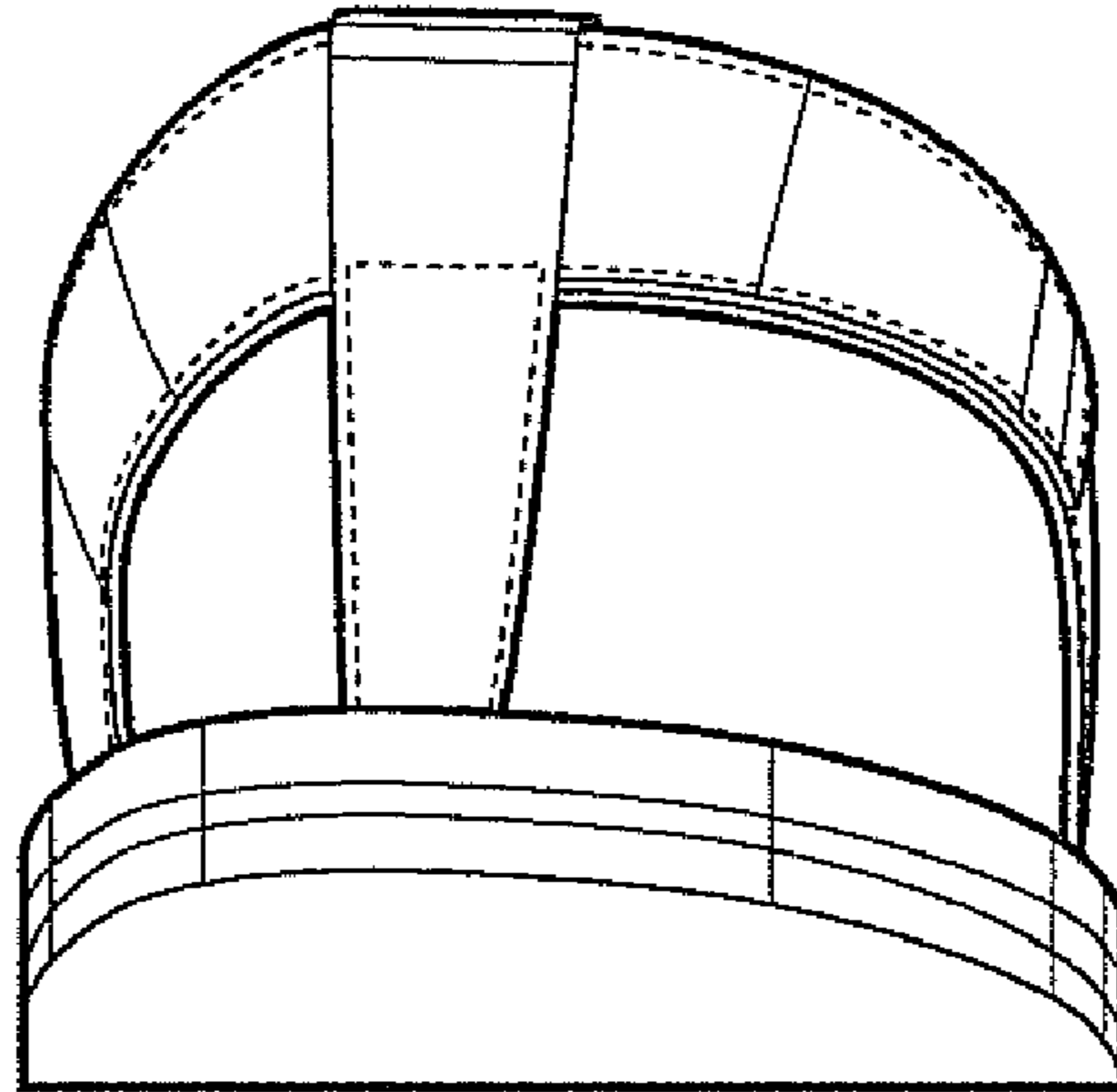


FIG. 4

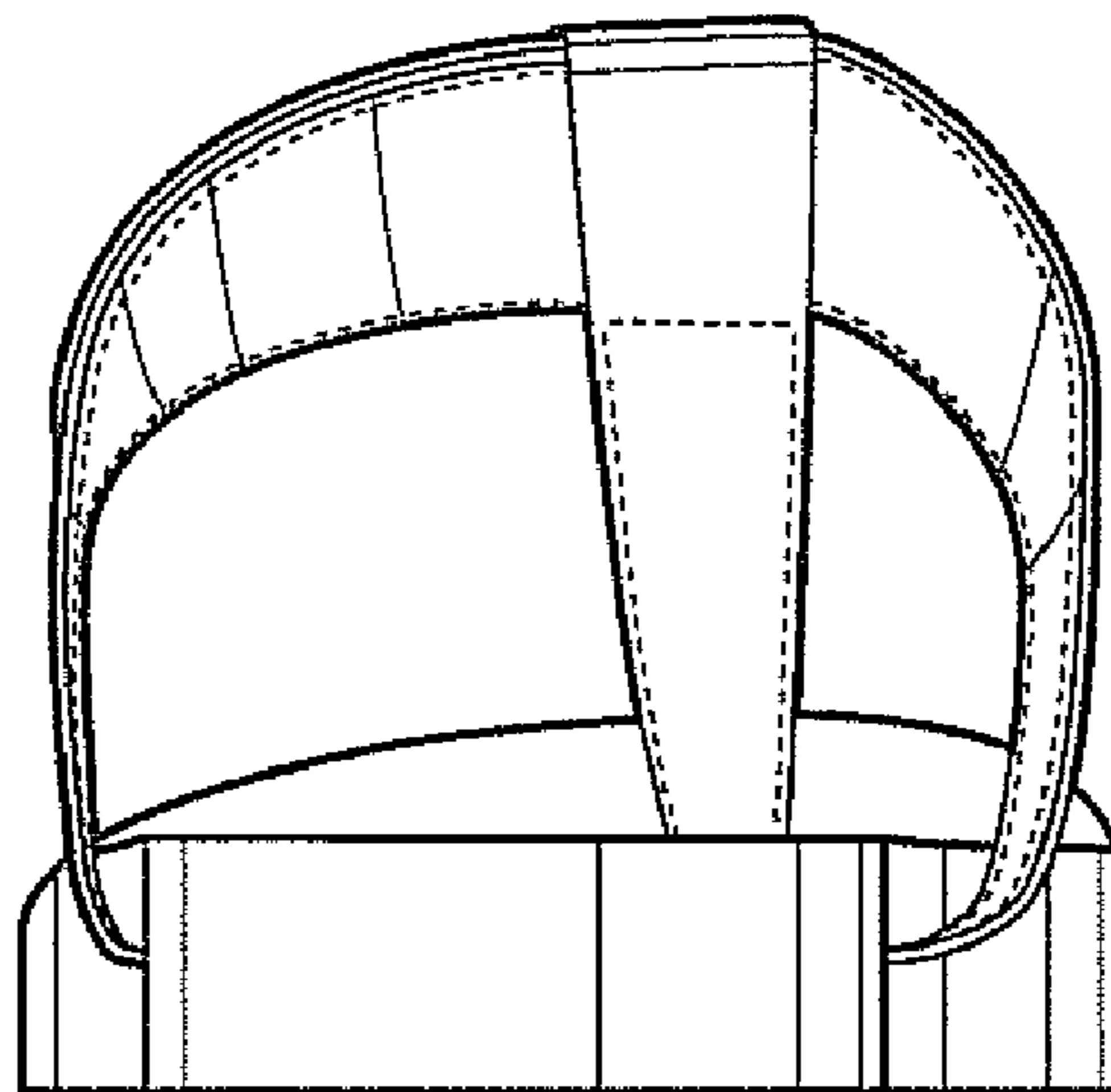


FIG. 5