



US00D600424S

(12) **United States Design Patent**
Pouliot et al.

(10) **Patent No.:** **US D600,424 S**

(45) **Date of Patent:** **** Sep. 15, 2009**

(54) **DEVICE FOR MOVING HEAVY APPLIANCES**

6,520,555 B1 * 2/2003 Hamm 294/15
D478,257 S * 8/2003 Fredrickson D8/14

(76) Inventors: **Lynne Pouliot**, 2632, Rang 7, St-Valere,
Quebec (CA) G0P 1M0; **Jean-Marc
Pouliot**, 2632, Rang 7, St-Valere,
Quebec (CA) G0P 1M0

* cited by examiner

Primary Examiner—Philip S Hyder
Assistant Examiner—Thomas J Johannes
(74) *Attorney, Agent, or Firm*—Equinox Protection; Franz
Bonsang, Patent Agent

(**) Term: **14 Years**

(21) Appl. No.: **29/302,229**

(57) **CLAIM**

(22) Filed: **Jan. 13, 2008**

The ornamental design for a device for moving heavy appli-
ances, as shown and described.

(51) **LOC (9) Cl.** **12-05**

(52) **U.S. Cl.** **D34/28; D8/14**

(58) **Field of Classification Search** D8/14,
D8/88, 89, 107; 294/149, 15, 26, 19.1, 32,
294/33, 58, 62, 116, 118; 254/131; D34/28
See application file for complete search history.

DESCRIPTION

FIG. 1 is a perspective view of the device;
FIG. 2 is a side view thereof;
FIG. 3 is a top view thereof;
FIG. 4 is a bottom view thereof;
FIG. 5 is a front view thereof; and,
FIG. 6 is a side view thereof, showing the device in the context
of an environmental structure.

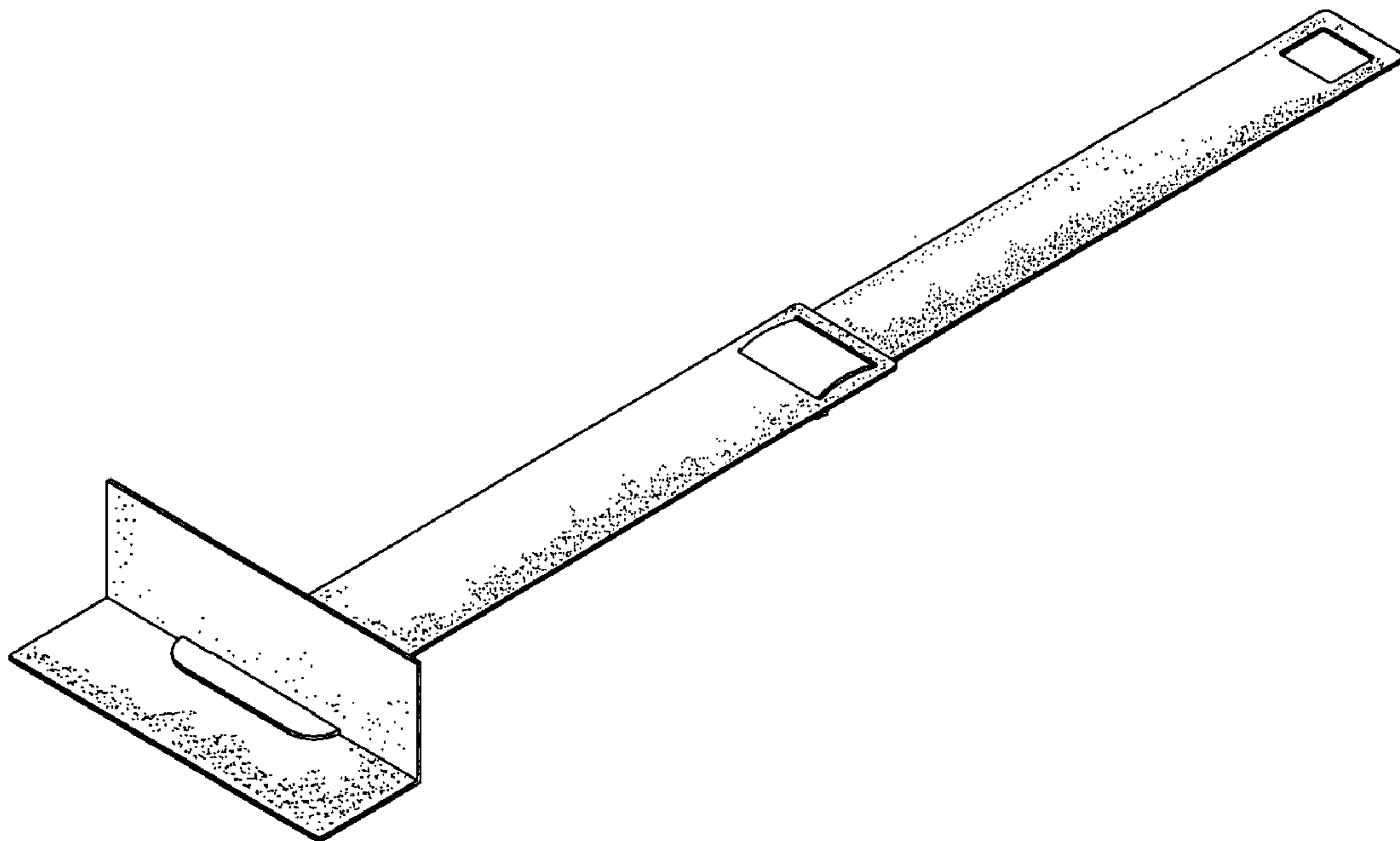
The broken line portions of FIG. 6 are included for the pur-
pose of illustrating environmental structure and form no part
of the claimed design.

(56) **References Cited**

U.S. PATENT DOCUMENTS

D288,276 S *	2/1987	Harney	D8/14
5,190,329 A *	3/1993	Steer et al.	294/15
D412,270 S *	7/1999	Fredrickson	D8/14
D437,752 S *	2/2001	Fredrickson	D8/14
6,186,566 B1 *	2/2001	Frederickson	294/15
D448,980 S *	10/2001	Fredrickson	D8/14
6,478,352 B1 *	11/2002	Fredrickson	294/15

1 Claim, 3 Drawing Sheets



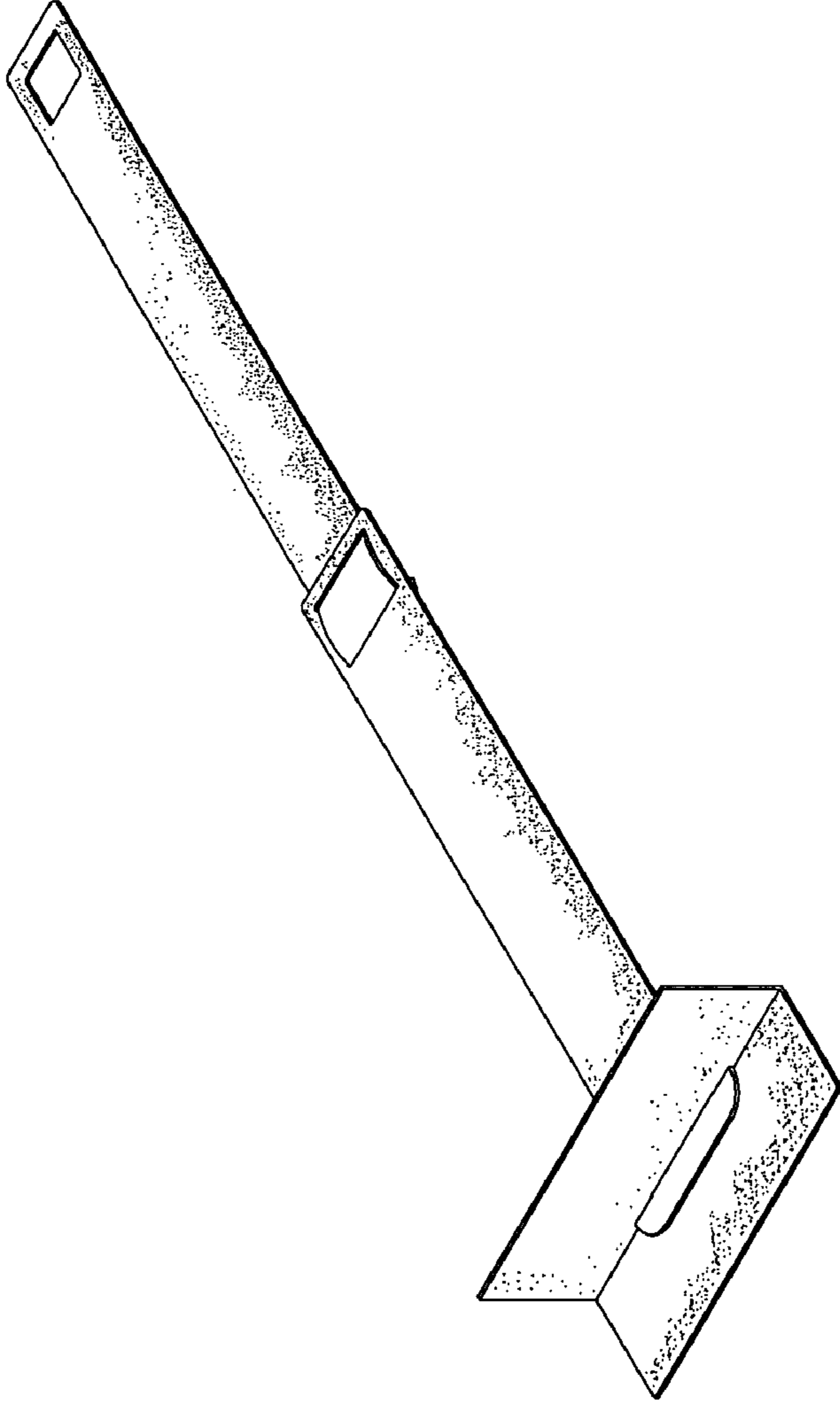


FIG.1

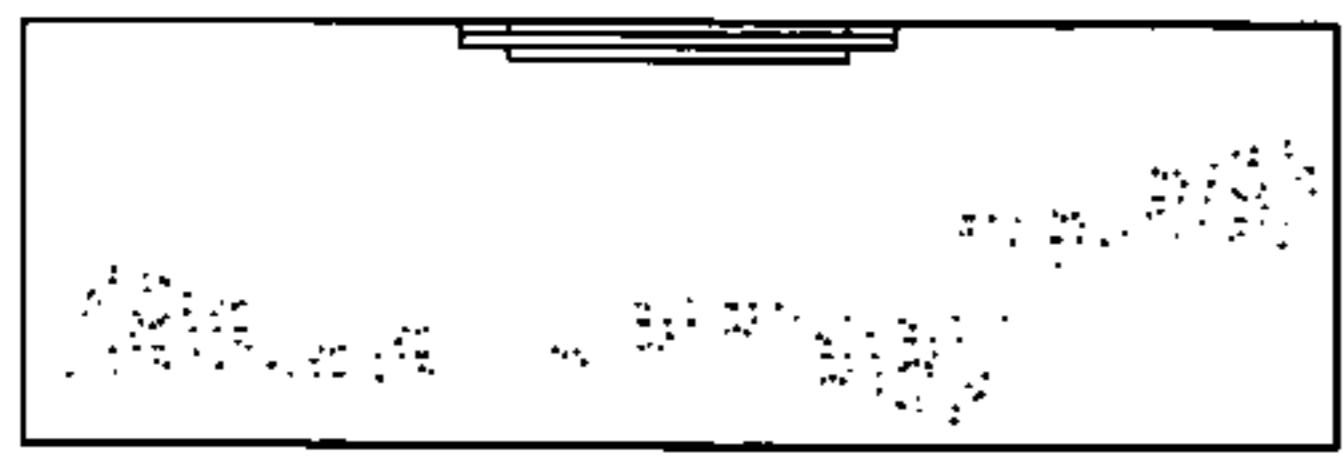


FIG. 5

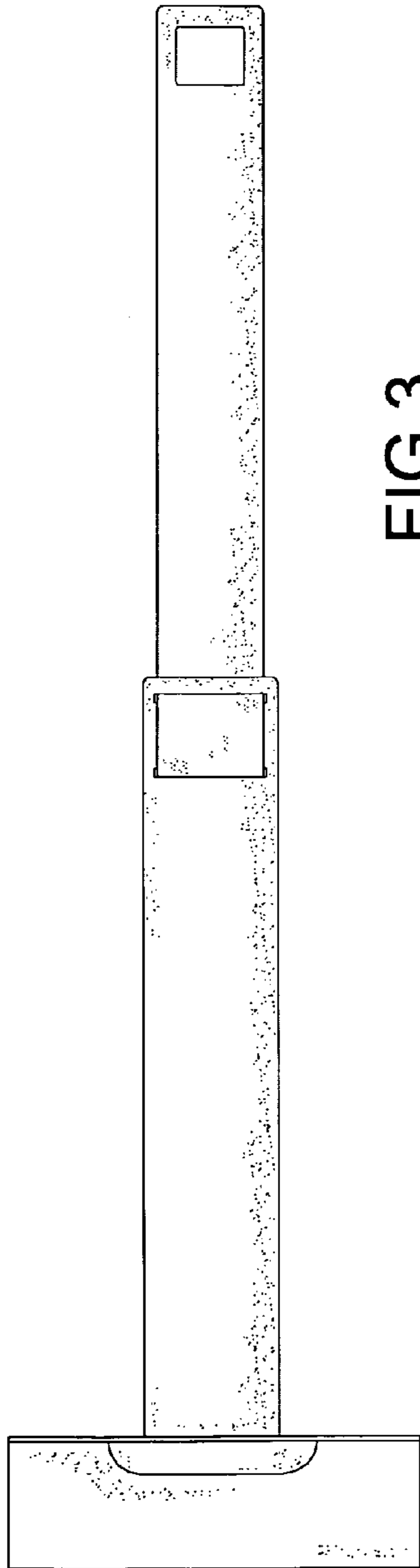


FIG. 3

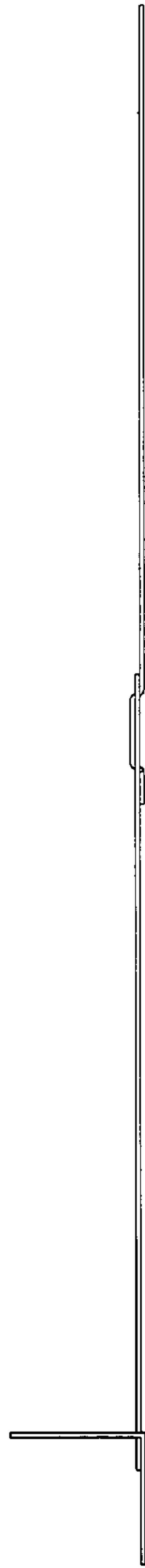


FIG. 2

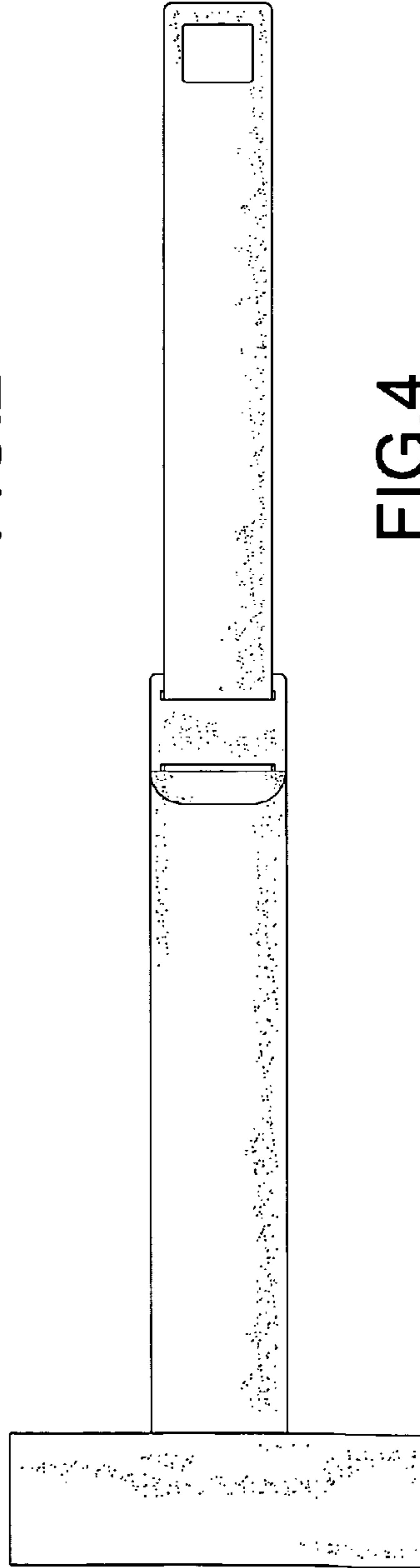


FIG. 4

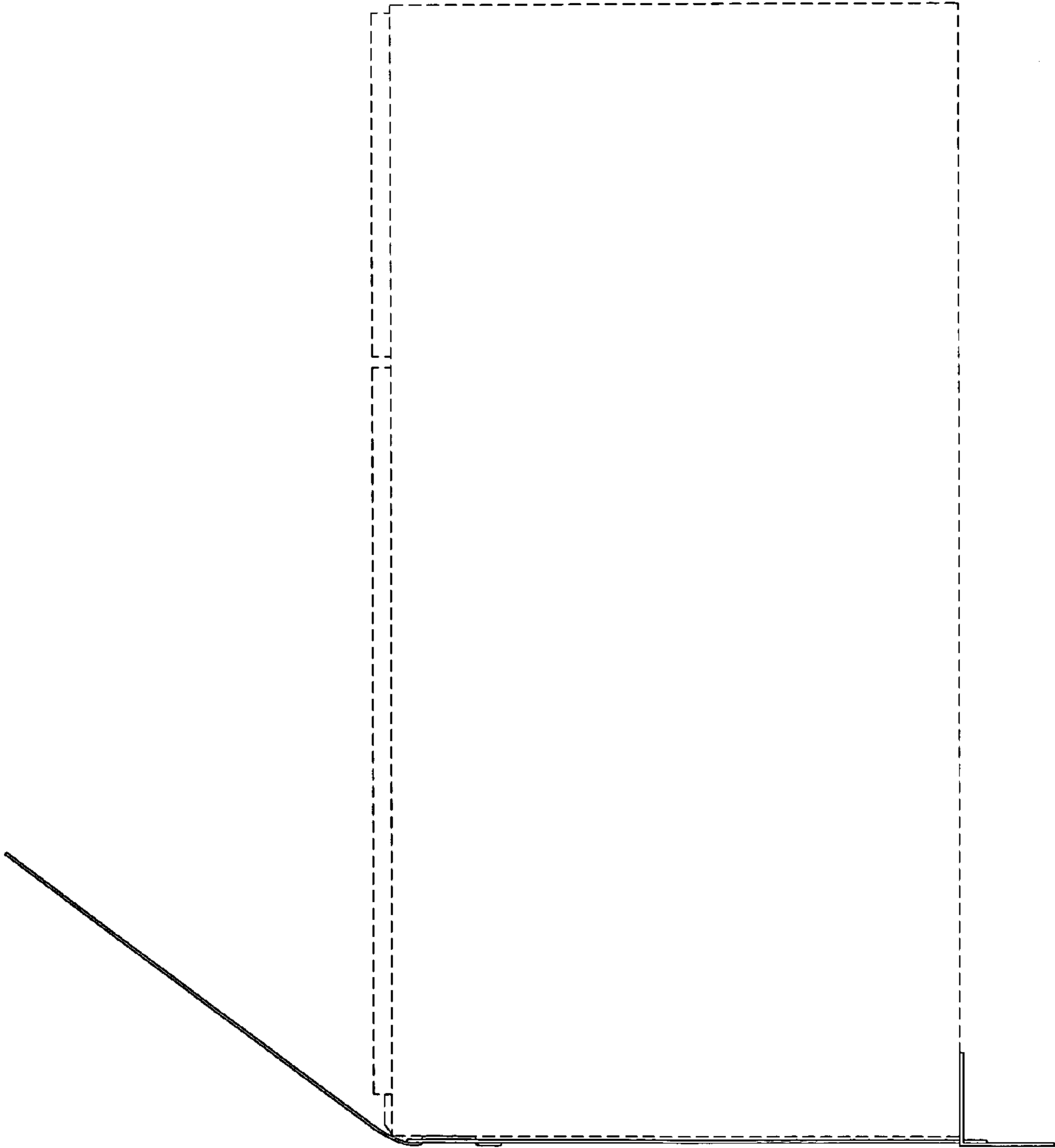


FIG.6