



US00D600423S

(12) **United States Design Patent**  
**Presnell**

(10) **Patent No.:** **US D600,423 S**

(45) **Date of Patent:** **\*\* Sep. 15, 2009**

(54) **CART**

(75) Inventor: **Donald C. Presnell**, Stephens City, VA  
(US)

(73) Assignee: **Rubbermaid Commercial Products**  
**LLC**, Winchester, VA (US)

(\*\*) Term: **14 Years**

(21) Appl. No.: **29/323,065**

(22) Filed: **Aug. 15, 2008**

**Related U.S. Application Data**

(62) Division of application No. 29/282,926, filed on Aug. 1, 2007, now Pat. No. Des. 575,473.

(51) **LOC (9) Cl.** ..... **12-02**

(52) **U.S. Cl.** ..... **D34/17; D34/27**

(58) **Field of Classification Search** ..... D34/12-27;  
280/47.34, 47.35, 79.2, 79.3, 47.26, 79.5;  
D6/477, 479; 220/676

See application file for complete search history.

(56) **References Cited**

**U.S. PATENT DOCUMENTS**

D273,242 S \* 3/1984 Maza et al. .... D34/21  
4,743,040 A \* 5/1988 Breveglieri et al. .... 280/47.35  
D302,064 S \* 7/1989 Delmerico ..... D34/20

D426,691 S \* 6/2000 Johnson et al. .... D34/21  
D485,037 S \* 1/2004 Presnell et al. .... D34/21  
D555,870 S \* 11/2007 Zorzo ..... D34/14  
D556,417 S \* 11/2007 Zorzo ..... D34/21  
2003/0122331 A1 \* 7/2003 DiGiacomo et al. .... 280/47.35

\* cited by examiner

*Primary Examiner*—Cynthia E Ramirez  
(74) *Attorney, Agent, or Firm*—Foley & Lardner LLP

(57) **CLAIM**

The ornamental design for a cart, as shown and described.

**DESCRIPTION**

FIG. 1 is a top frontal perspective view of a cart according to my new design;

FIG. 2 is a front view of the cart shown in FIG. 1;

FIG. 3 is a left side view of the cart shown in FIG. 1;

FIG. 4 is a right side view of the cart shown in FIG. 1;

FIG. 5 is a top view of the cart shown in FIG. 1; and,

FIG. 6 is a bottom view of the cart shown in FIG. 1.

The ornamental design which is claimed is shown in solid lines in the drawings. The broken lines in the drawings are for illustrative purposes only and form no part of the claimed design.

**1 Claim, 6 Drawing Sheets**

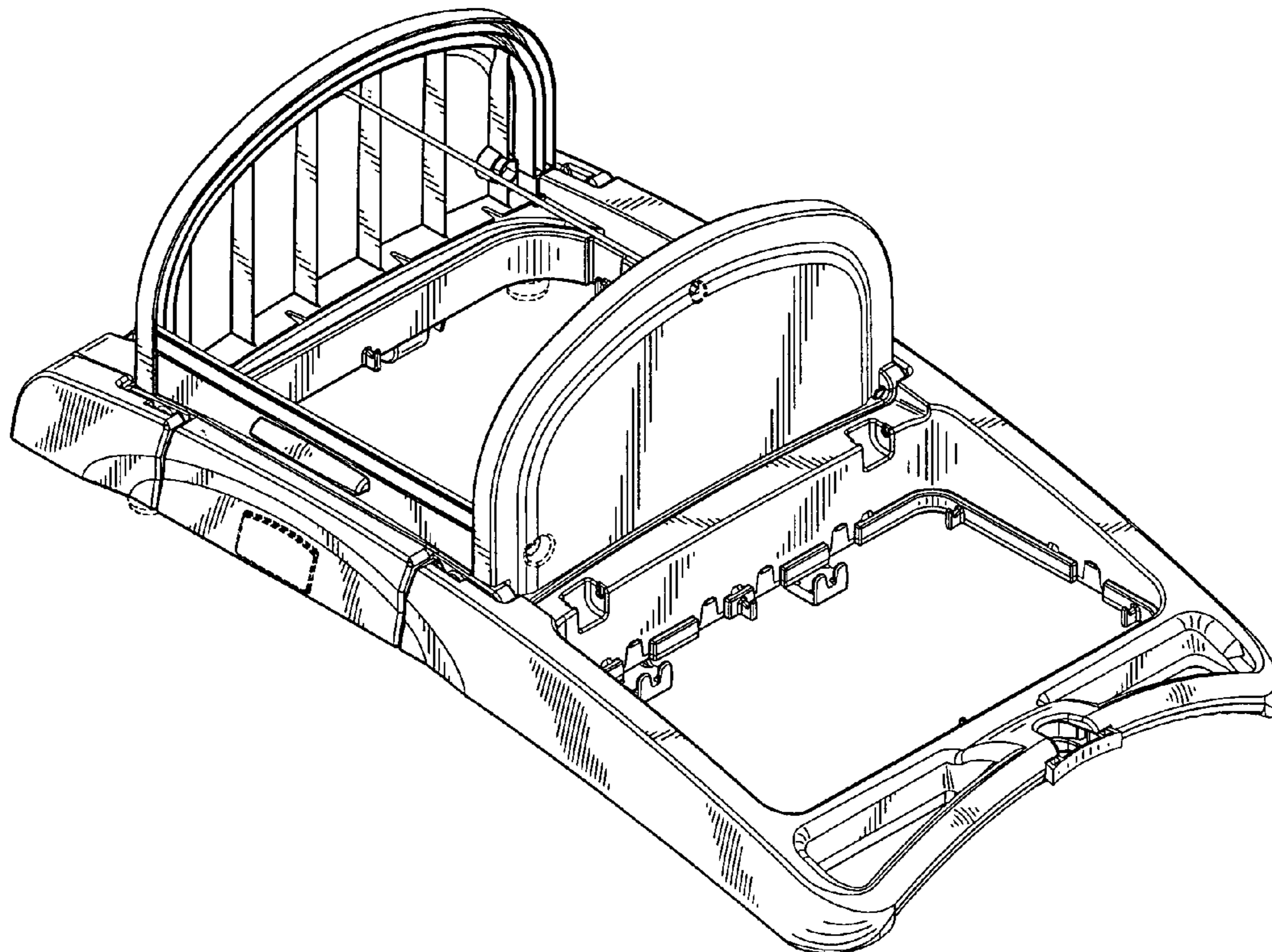


Fig. 1

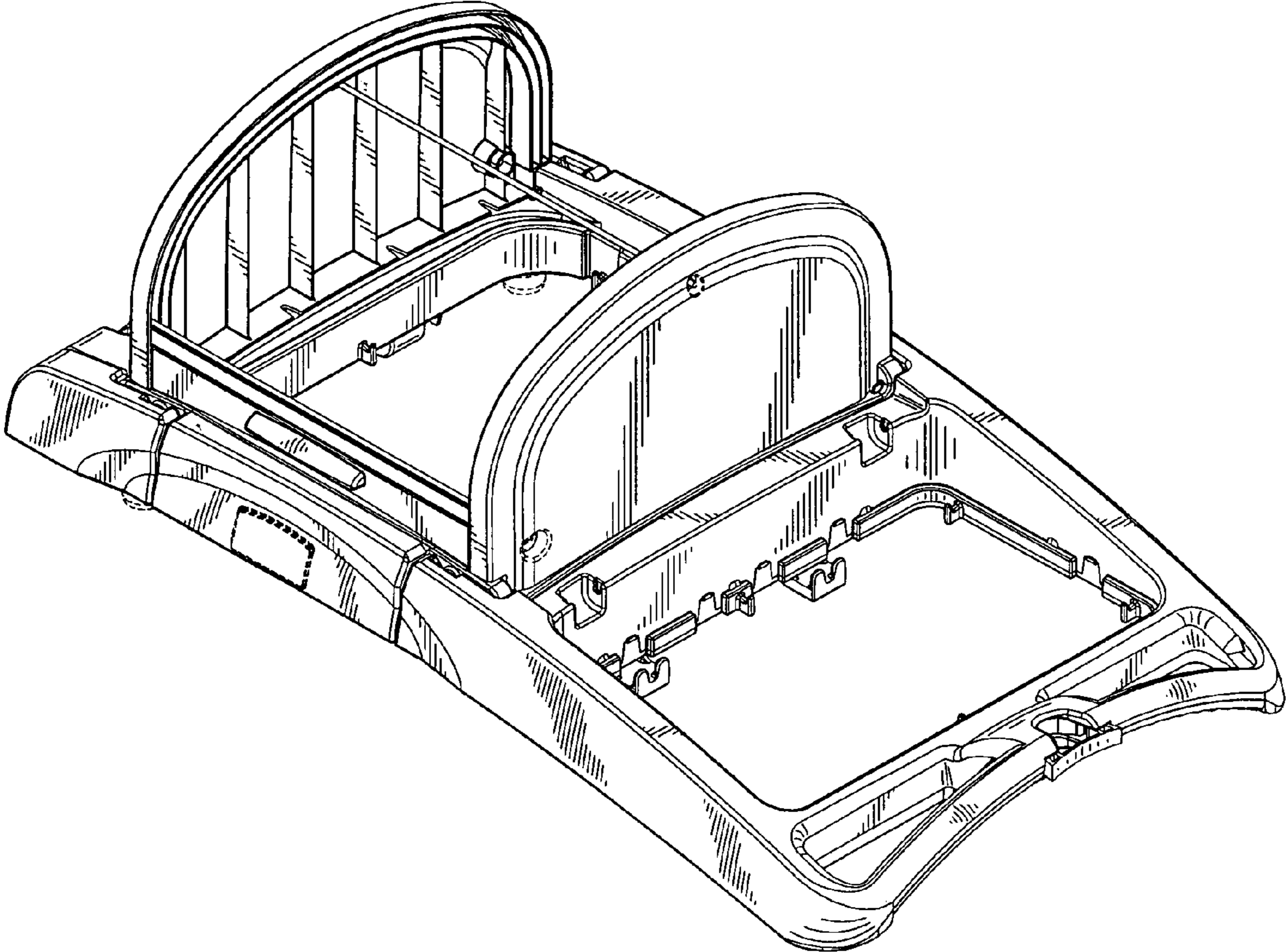


Fig. 2

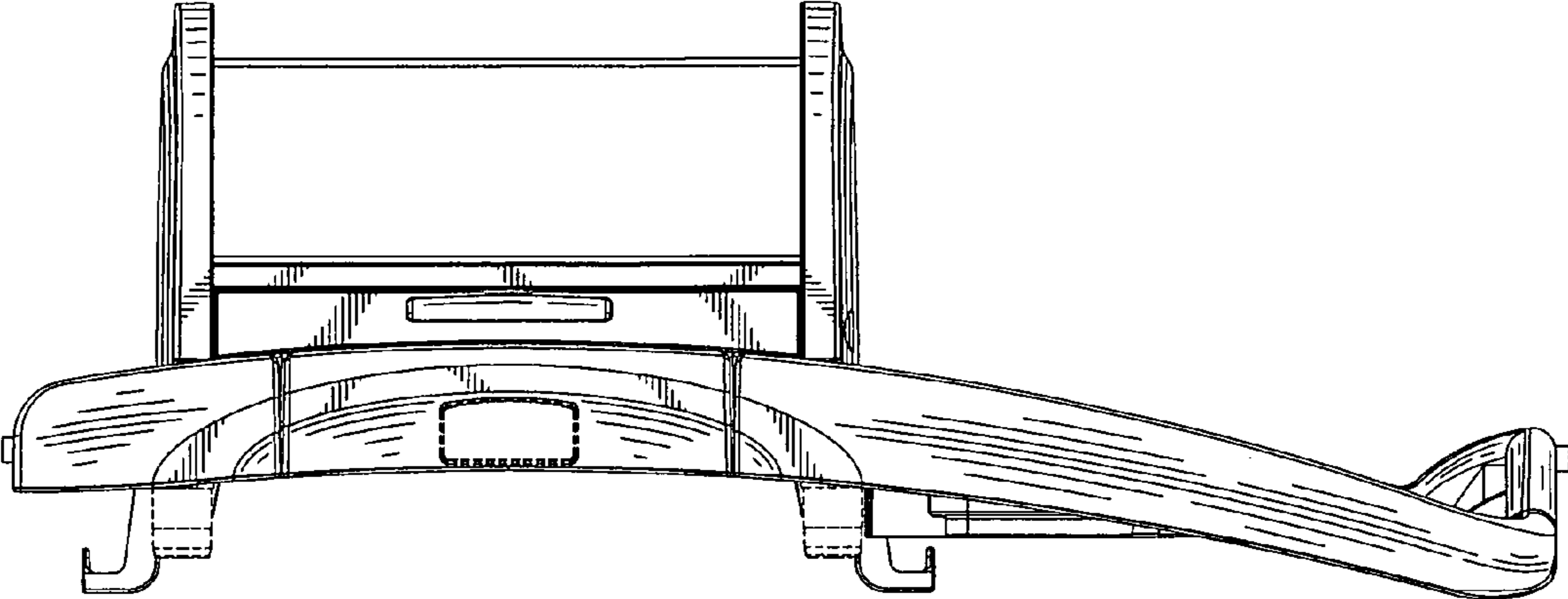


Fig. 3

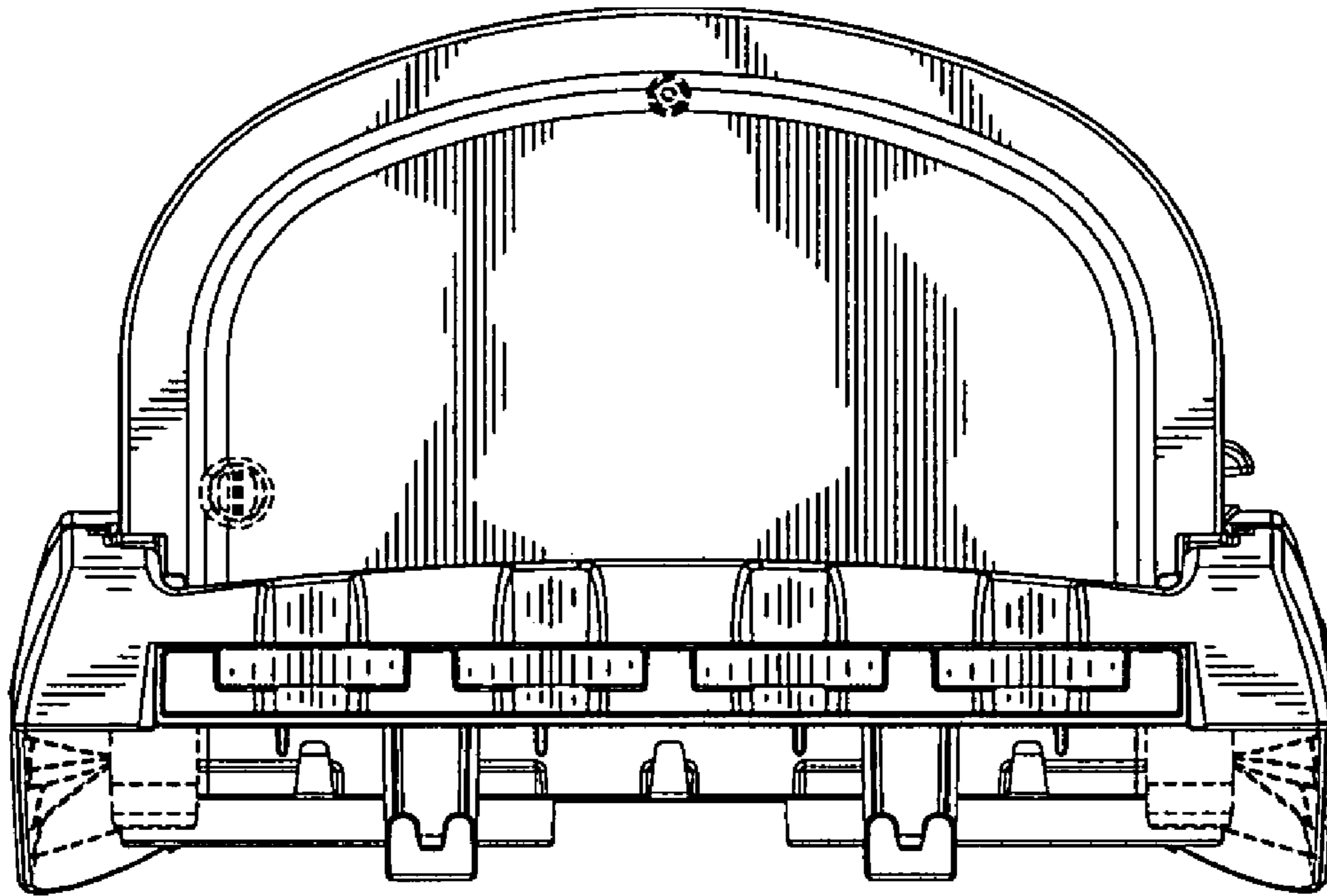


Fig. 4

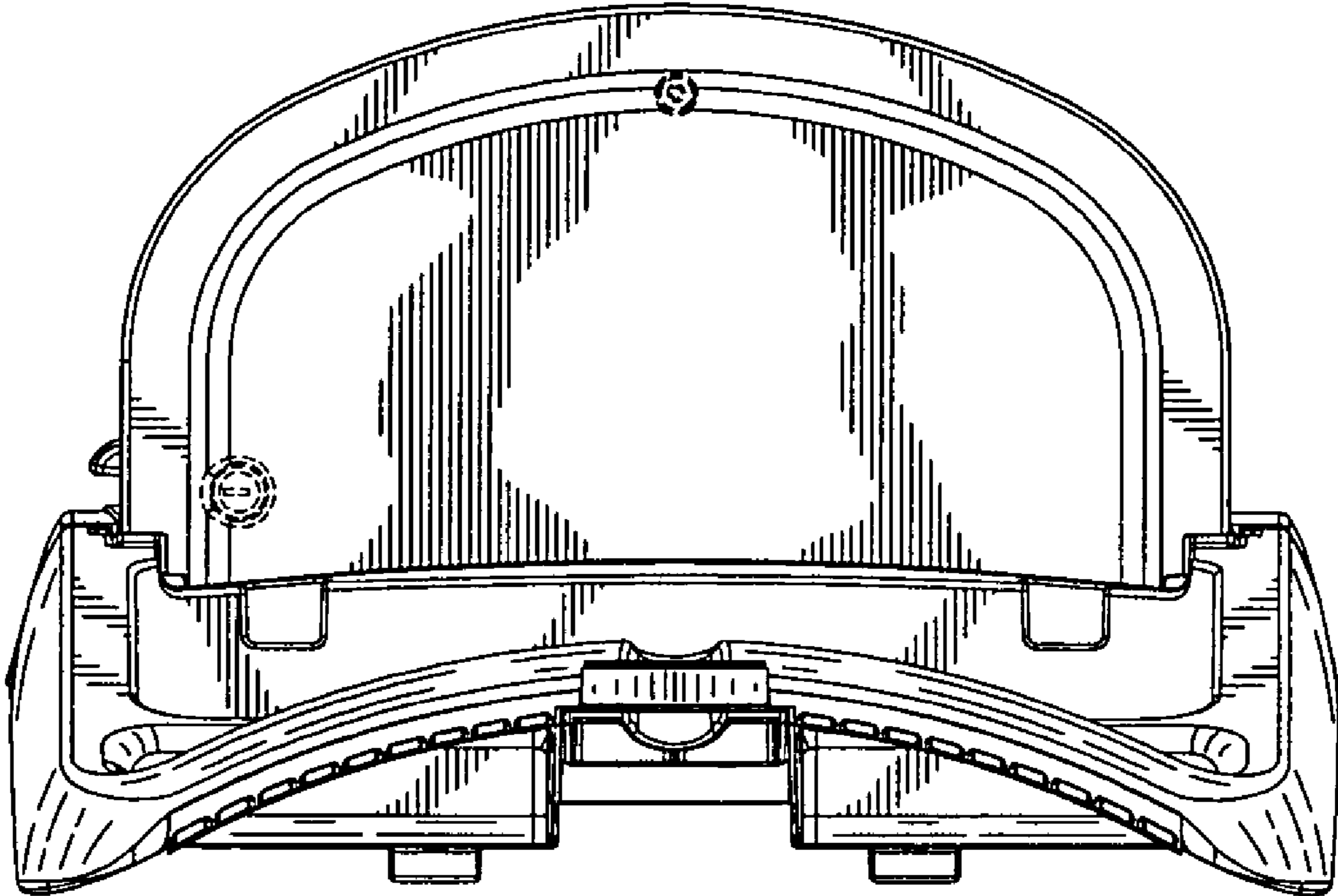


Fig. 5

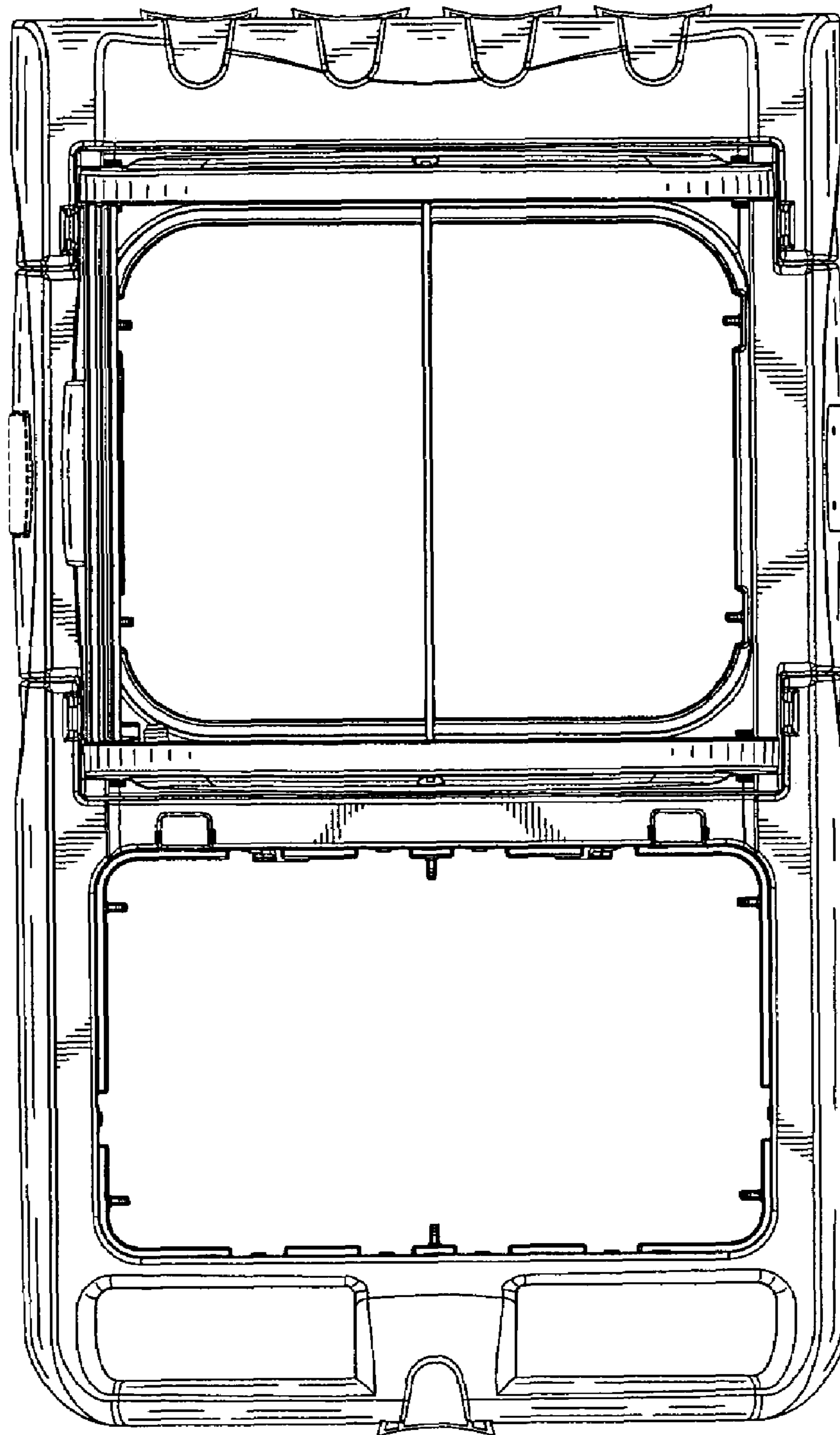


Fig. 6

