



US00D600420S

(12) **United States Design Patent**
Dammkoehler

(10) **Patent No.:** **US D600,420 S**

(45) **Date of Patent:** **** Sep. 15, 2009**

(54) **ELECTRIC SWEEPER**

(75) Inventor: **Denis Dammkoehler**, Backnang (DE)

(73) Assignee: **Alfred Kaercher GmbH & Co. KG**,
Winnenden (DE)

(**) Term: **14 Years**

(21) Appl. No.: **29/313,563**

(22) Filed: **Jan. 20, 2009**

(30) **Foreign Application Priority Data**

Jul. 21, 2008 (WO) DM/070 543

(51) **LOC (9) Cl.** **15-05**

(52) **U.S. Cl.** **D32/38**

(58) **Field of Classification Search** D32/21,
D32/22, 31-33, 38-39; 15/41.1, 42-46,
15/48, 48.1, 79.1, 49.1, 50.3, 415.1; 16/DIG. 41
See application file for complete search history.

(56) **References Cited**

U.S. PATENT DOCUMENTS

2,316,709	A *	4/1943	Owen	15/47
3,628,211	A *	12/1971	Fukuba	15/42
4,168,561	A *	9/1979	Rosendall	15/42
D256,878	S *	9/1980	Kubota et al.	D32/38
D293,142	S *	12/1987	Kubota	D32/38
D312,154	S *	11/1990	Kuroda	D32/38
D349,793	S *	8/1994	Zahuranec et al.	D32/38
D501,282	S *	1/2005	Robertson et al.	D32/38
D501,588	S *	2/2005	Harper et al.	D32/38
D549,910	S *	8/2007	Bouhuys	D32/38

OTHER PUBLICATIONS

Extract from catalog of Alfred Kaercher GmbH & Co. KG, "Programme 2002", cover, pp. 15, 23, 87-90, 92 and last page (Feb. 2002).

Extract from catalog of Alfred Kaercher GmbH & Co. KG, "Programme 2003", cover, pp. 16, 27, 177, 179, 180 and last page (Dec. 2002).

Extract from catalog of Alfred Kaercher GmbH & Co. KG, "Programme 2004", cover, pp. 23, 41, 221-223, and last page (Feb. 2004).

Extract from catalog of Alfred Kaercher GmbH & Co. KG, "Programme 2005", cover, pp. 19, 42, 207-209, and last page (Dec. 2004).

Extract from catalog of Alfred Kaercher GmbH & Co. KG, "Programme 2006", cover, pp. 20, 42, 225-227, and last page (Dec. 2005).

Extract from catalog of Alfred Kaercher GmbH & Co. KG, "Programme 2007", cover, pp. 56, 57, 249-251, and last page (Jan. 2007).

Extract from catalog of Alfred Kaercher GmbH & Co. KG, "Programme 2008", cover page, last page, pp. 60, 61, and 264-267 (Dec. 2007).

* cited by examiner

Primary Examiner—Pamela J Burgess

(74) *Attorney, Agent, or Firm*—Lipsitz & McAllister, LLC

(57) **CLAIM**

The ornamental design for an electric sweeper, as shown and described.

DESCRIPTION

FIG. 1 is a front, top and right side perspective view showing the design;

FIG. 2 is a front, top and left side perspective view showing the design;

FIG. 3 is a front elevational view of the design;

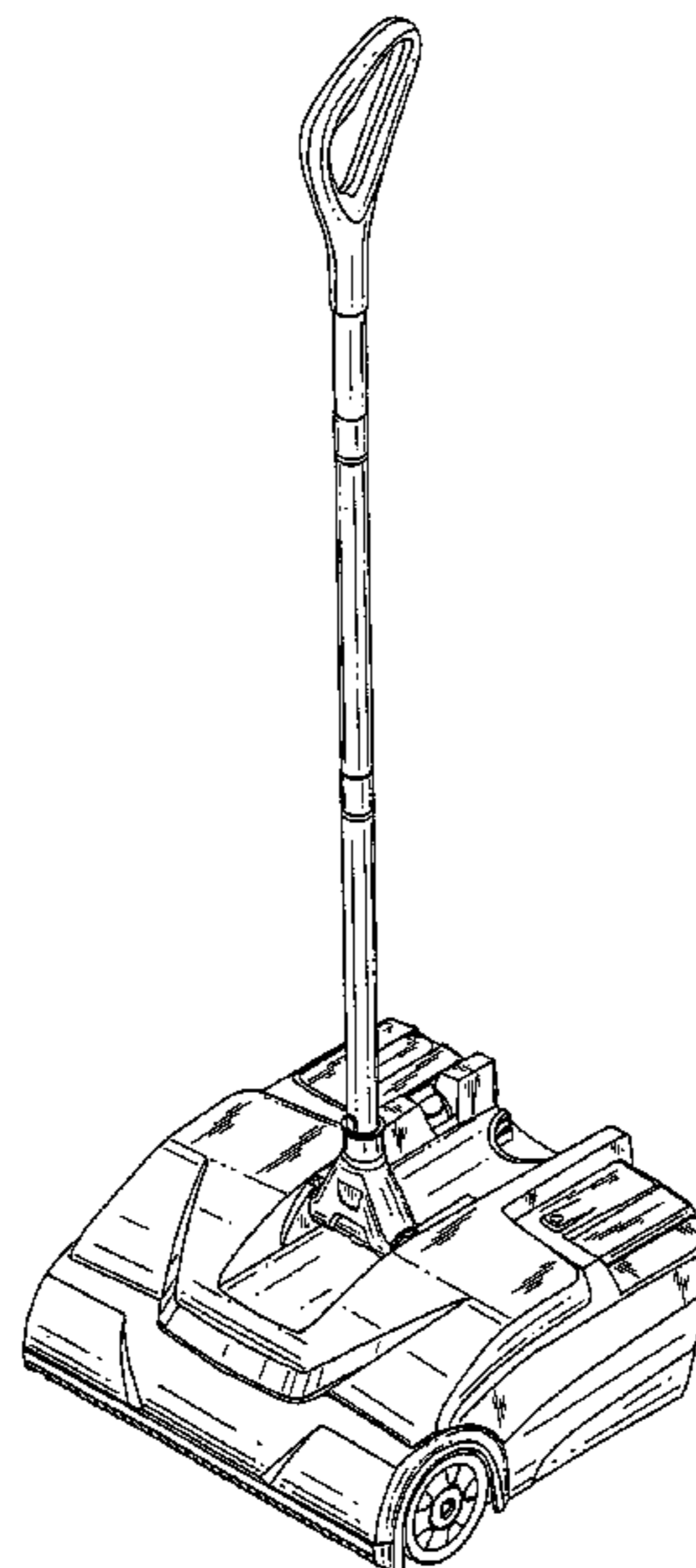
FIG. 4 is a rear elevational view of the design;

FIG. 5 is a right side elevational view of the design;

FIG. 6 is a left side elevational view of the design; and,

FIG. 7 is a top plan view of the design.

1 Claim, 5 Drawing Sheets



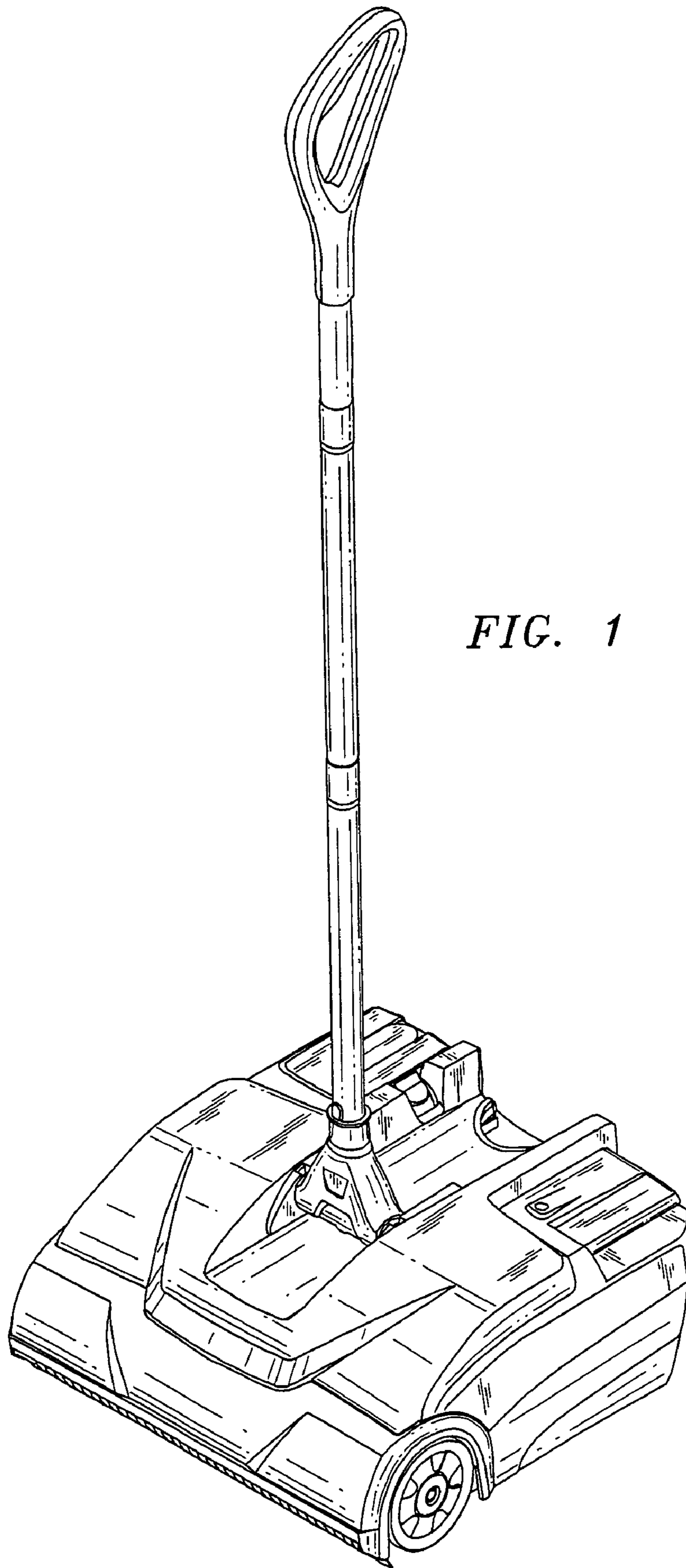


FIG. 1

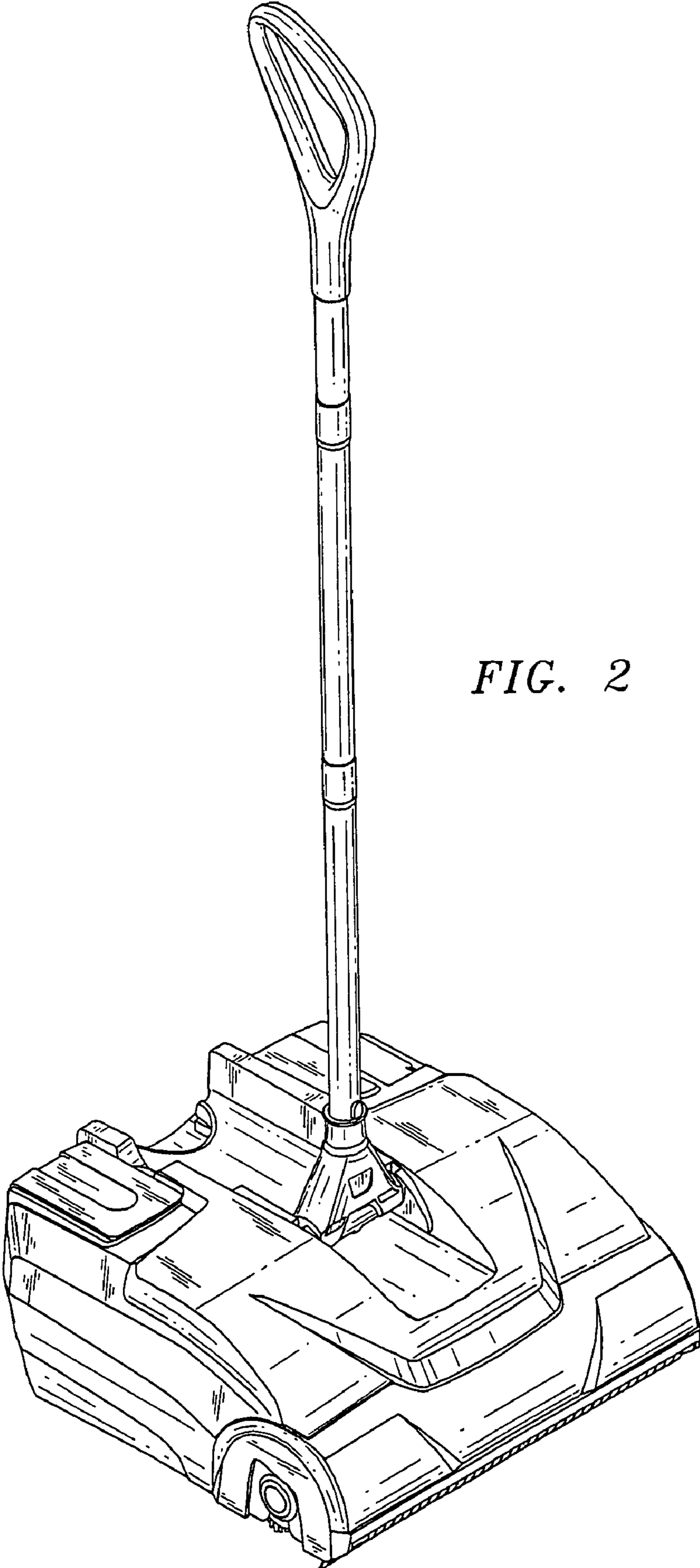


FIG. 2

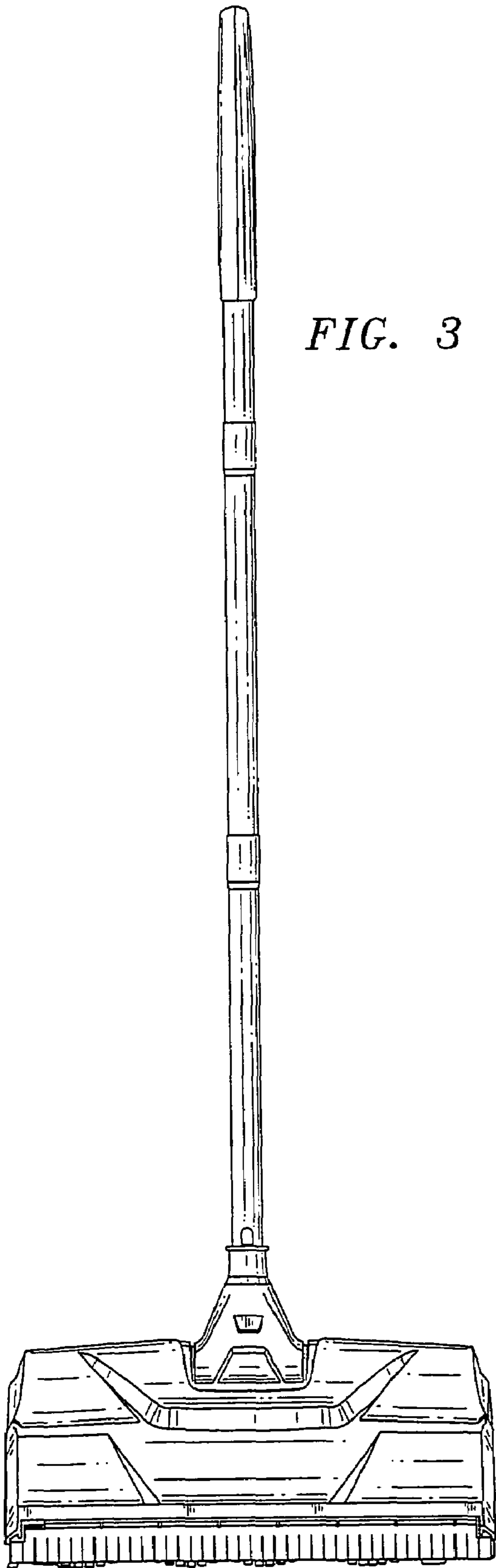


FIG. 3

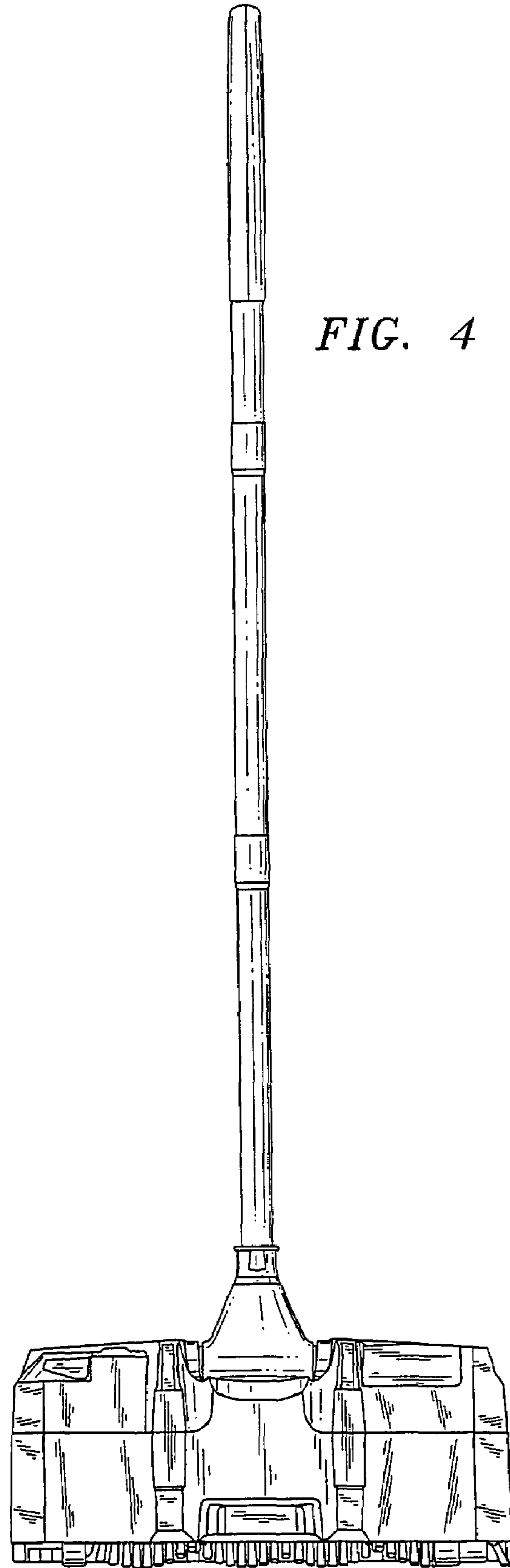


FIG. 4

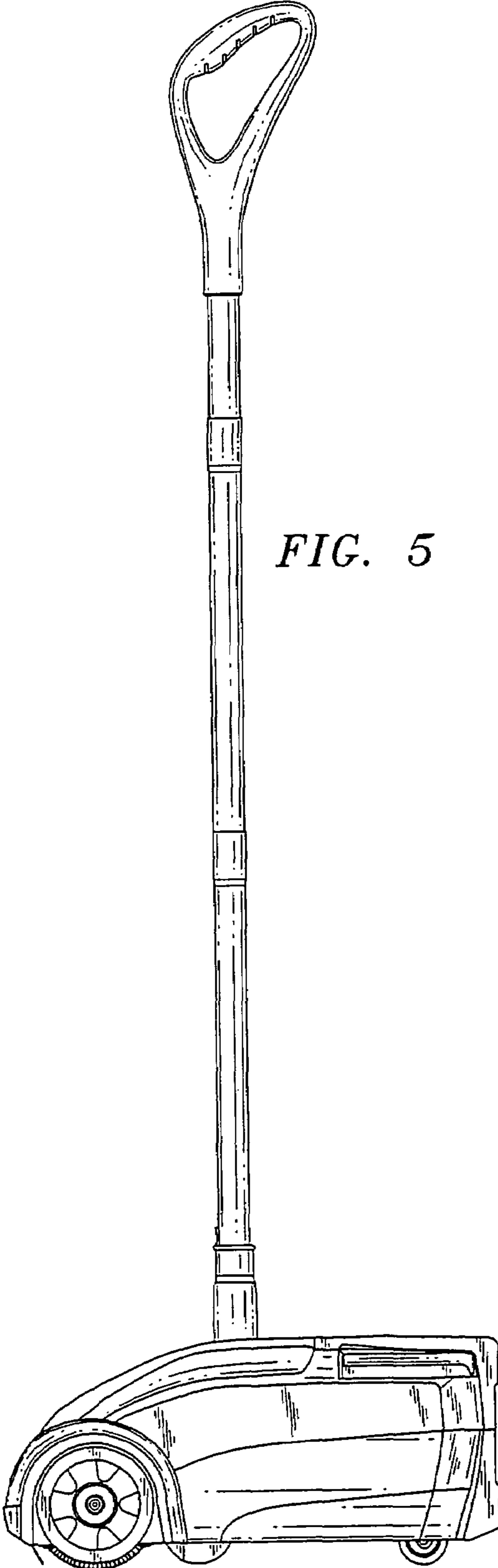


FIG. 5

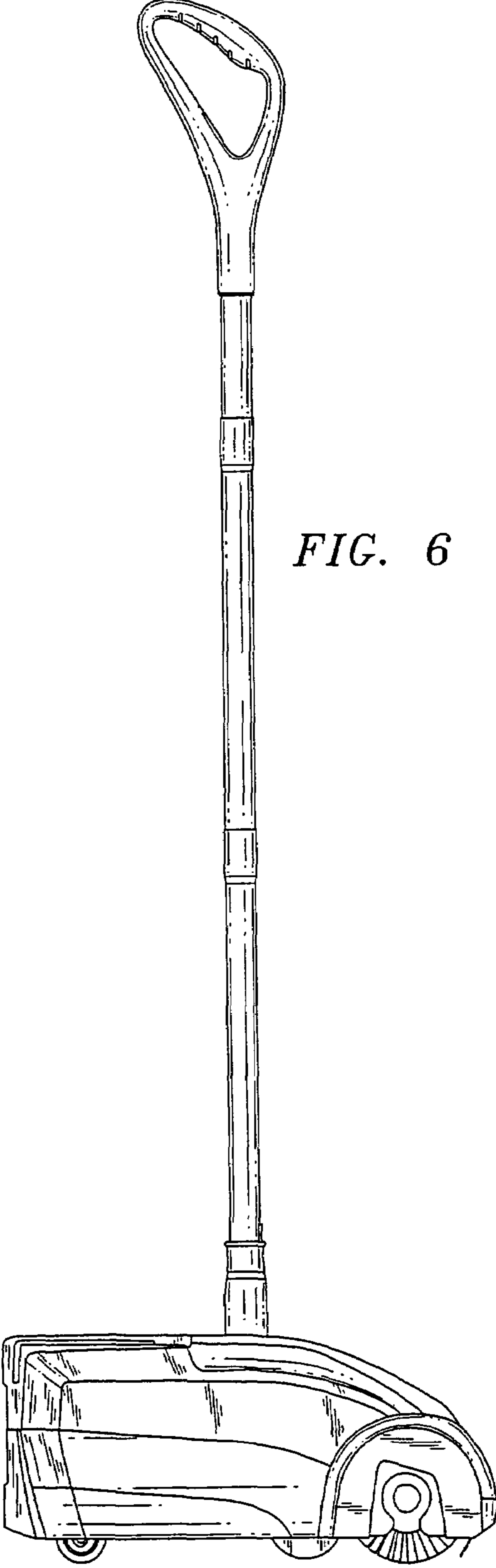


FIG. 6

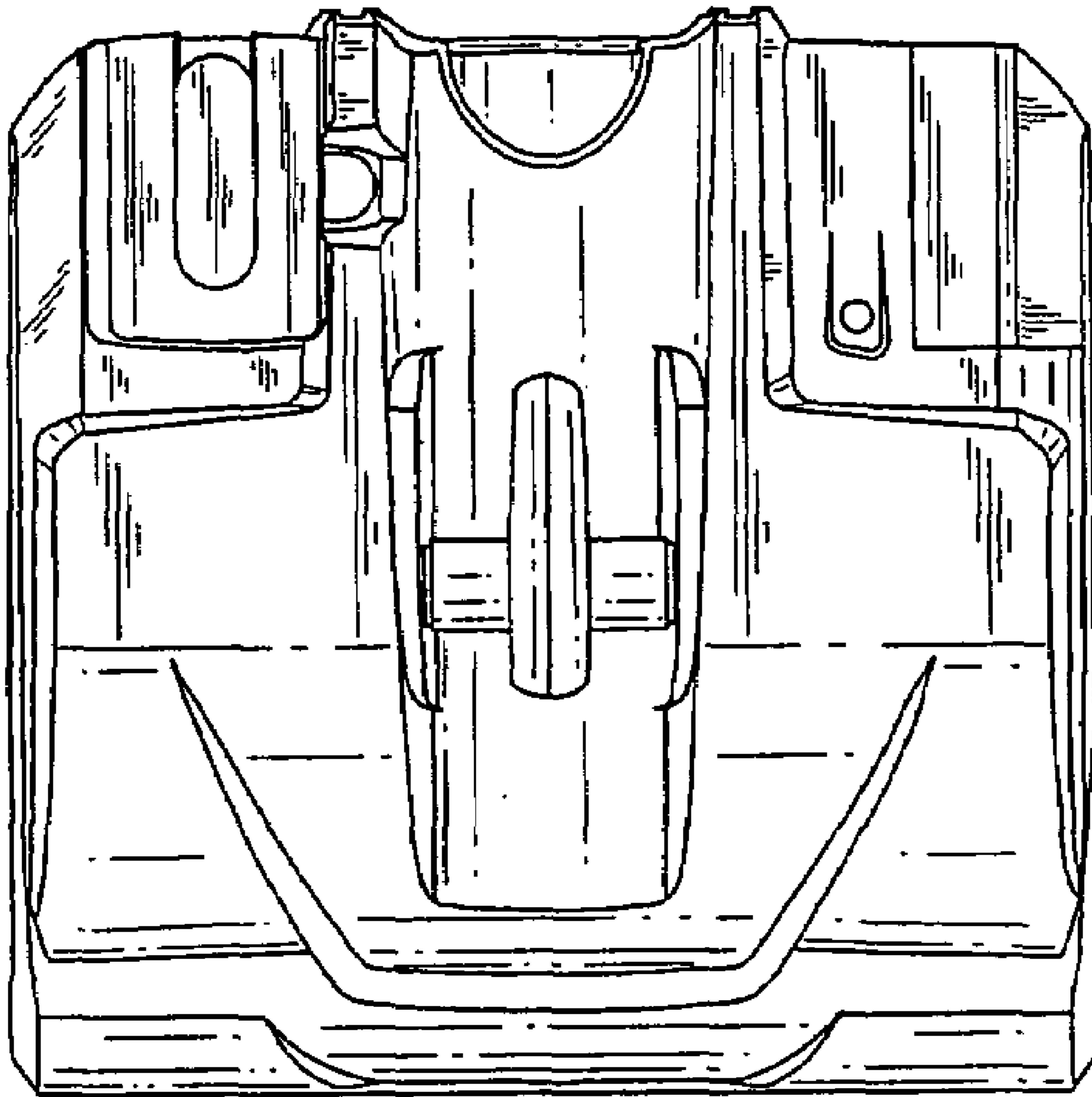


FIG. 7