



US00D600418S

(12) **United States Design Patent**
Dyson et al.

(10) **Patent No.:** **US D600,418 S**
(45) **Date of Patent:** **** Sep. 15, 2009**

(54) **PART OF A VACUUM CLEANER**

(75) Inventors: **James Dyson**, Gloucestershire (GB);
Alexander Stuart Knox, Wiltshire (GB);
Tom Vallance Hamilton Crawford, Bristol (GB)

(73) Assignee: **Dyson Limited**, Wiltshire (GB)

(**) Term: **14 Years**

(21) Appl. No.: **29/300,870**

(22) Filed: **May 22, 2008**

(30) **Foreign Application Priority Data**

Nov. 23, 2007 (GB) 4005376

(51) **LOC (9) Cl.** **15-05**

(52) **U.S. Cl.** **D32/32**

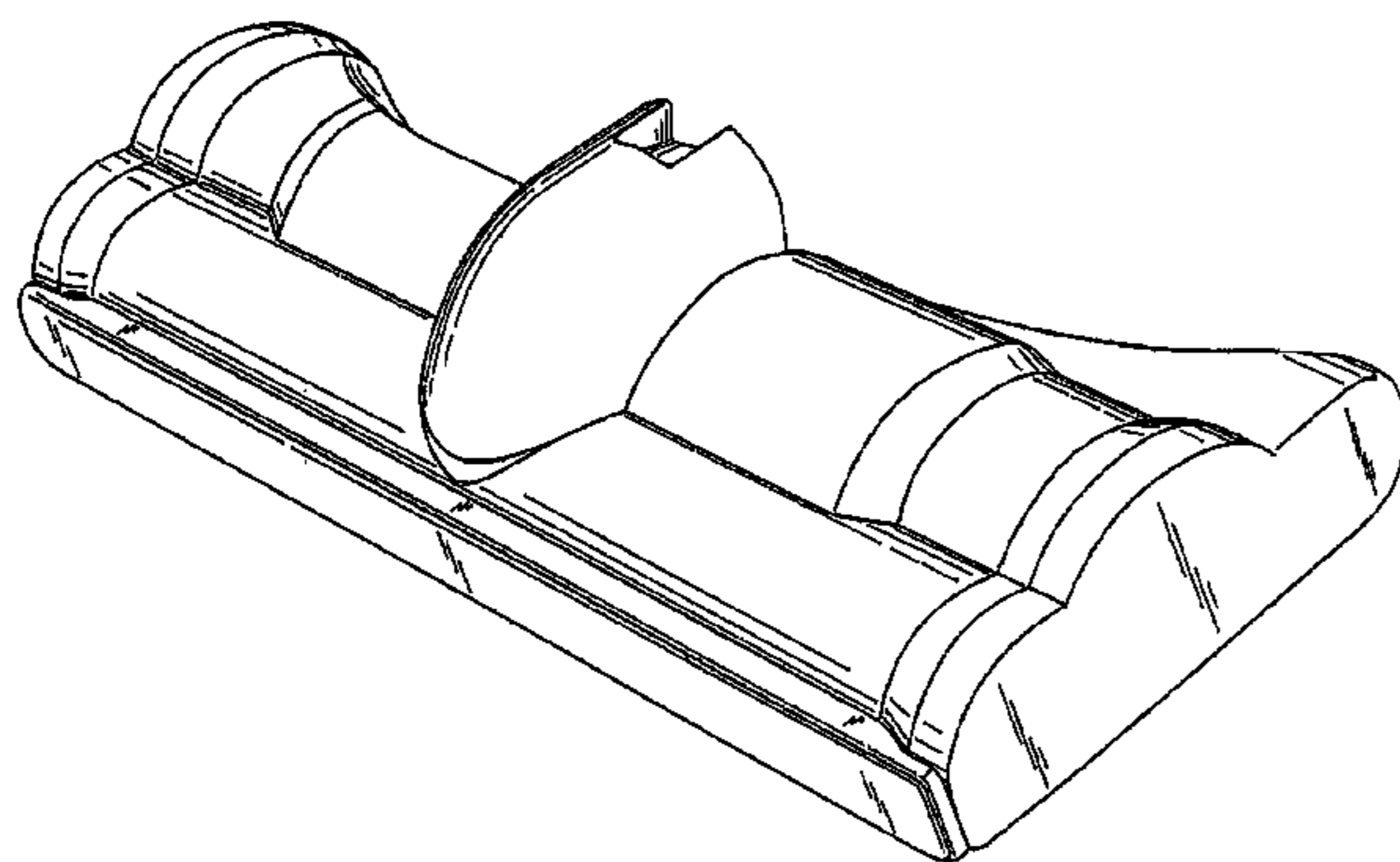
(58) **Field of Classification Search** D32/22,
D32/31-33, 38; 15/349, 329, 338, 363, 366,
15/375, 378, 394, 399, 400, 246.2, 327.1,
15/327.6-327.7, 334, 415.1-422, 422.1,
15/412, 414, 393, 398, 350, 353-359; 55/DIG. 3
See application file for complete search history.

(56) **References Cited**

U.S. PATENT DOCUMENTS

2,686,330 A 8/1954 Wales
3,794,351 A 2/1974 Cudmore
5,564,161 A * 10/1996 Glatz 15/415.1

(Continued)



OTHER PUBLICATIONS

James Dyson et al. "Vacuum Cleaner Part," specification and drawings of related U.S. Appl. No. 29/300,868, filed May 22, 2008. 7 pages.

James Dyson et al. "Vacuum Cleaner Part-II," specification and drawings of related U.S. Appl. No. 29/300,874, filed May 22, 2008. 7 pages.

(Continued)

Primary Examiner—Ruth McInroy

(74) *Attorney, Agent, or Firm*—Morrison & Foerster LLP

(57) **CLAIM**

We claim the ornamental design for a part of a vacuum cleaner, as shown and described.

DESCRIPTION

FIG. 1 is a perspective view of a part of a vacuum cleaner showing our new design;

FIG. 2 is a plan view thereof from above;

FIG. 3 is a bottom view thereof;

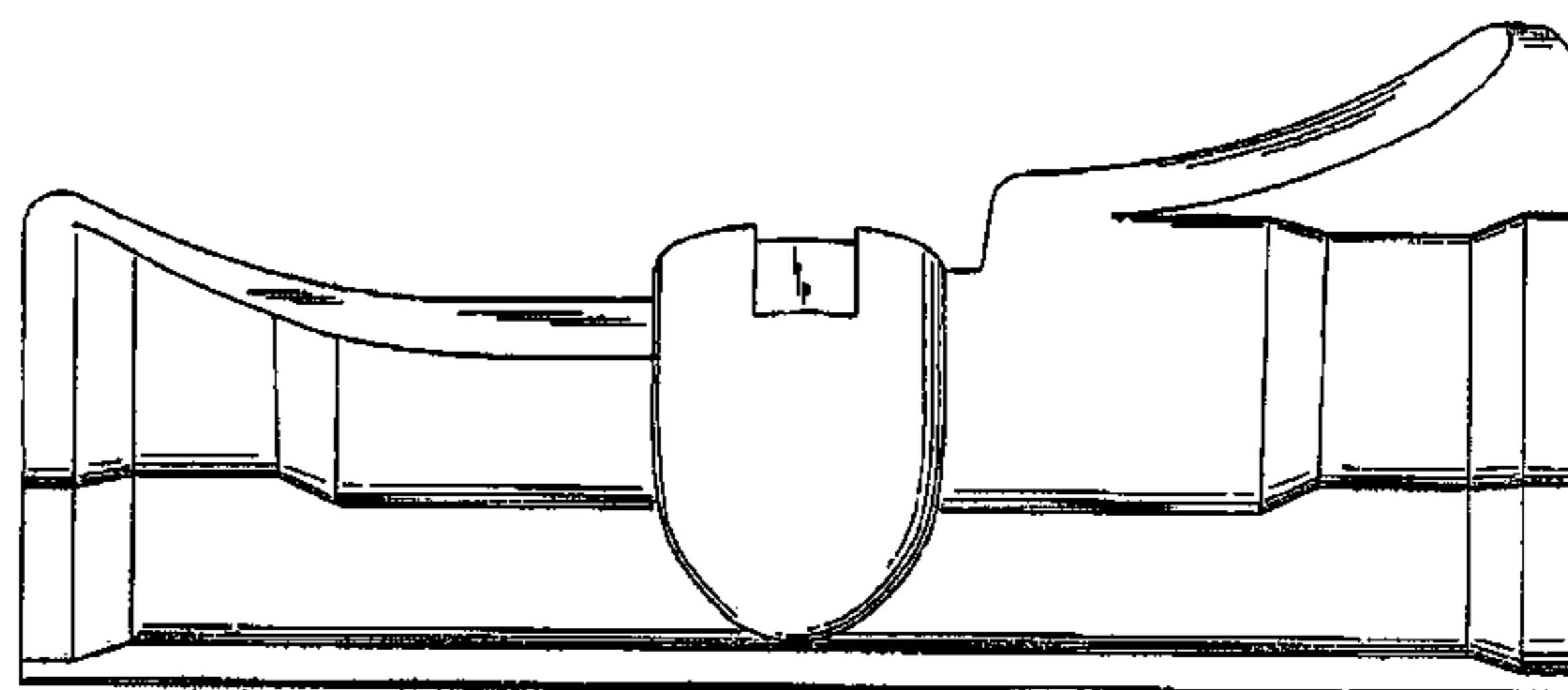
FIG. 4 is a side view thereof;

FIG. 5 is a side view of the opposite side of FIG. 4;

FIG. 6 is a front view thereof; and,

FIG. 7 is a rear view thereof.

1 Claim, 4 Drawing Sheets



US D600,418 S

Page 2

U.S. PATENT DOCUMENTS

5,584,095 A 12/1996 Redding et al.
D427,737 S * 7/2000 Dyson et al. D32/32
D439,379 S 3/2001 Gammack et al.
D449,724 S * 10/2001 Nighy et al. D32/32
D460,231 S * 7/2002 Bagwell et al. D32/32
D462,813 S 9/2002 Nakano et al.
D471,683 S 3/2003 Dyson et al.
D475,820 S 6/2003 Dyson et al.
D494,718 S 8/2004 Rosenzweig et al.
D494,719 S 8/2004 Rosenzweig et al.
D511,231 S * 11/2005 Langham et al. D32/33
6,989,039 B2 1/2006 Vuijk
D517,633 S 3/2006 Chen
D517,757 S 3/2006 Santiago
D518,933 S * 4/2006 Courtney D32/32
D520,692 S 5/2006 Leyden
D533,695 S 12/2006 Dyson et al.
D534,324 S 12/2006 Dyson et al.
RE39,473 E 1/2007 Salo et al.
D547,505 S 7/2007 Carr et al.
D563,066 S 2/2008 Shevlin
D564,720 S * 3/2008 Dyson et al. D32/32
D565,265 S * 3/2008 Quance et al. D32/32

7,341,611 B2 3/2008 Greene et al.
D565,815 S 4/2008 Dyson et al.
D567,459 S * 4/2008 Dyson et al. D32/32
D570,561 S * 6/2008 Dyson et al. D32/22
D591,016 S * 4/2009 Dyson et al. D32/22
2005/0223519 A1 10/2005 Greene et al.
2008/0222840 A1 9/2008 Worker et al.
2008/0244860 A1 10/2008 Gammack et al.
2008/0250602 A1 10/2008 Liddell
2008/0282497 A1 11/2008 Griffith et al.

OTHER PUBLICATIONS

James Dyson et al. "Vacuum Cleaner," specification and drawings of related U.S. Appl. No. 29/300,869, filed May 22, 2008. 8 pages.
James Dyson et al. "Vacuum Cleaner Part-III," specification and drawings of related U.S. Appl. No. 29/300,873, filed May 22, 2008. 6 pages.
James Dyson et al. "Vacuum Cleaner Part-V," specification and drawings of related U.S. Appl. No. 29/300,872, filed May 22, 2008. 6 pages.
James Dyson et al. "Vacuum Cleaner-II," specification and drawings of related U.S. Appl. No. 29/300,871, filed May 22, 2008. 8 pages.

* cited by examiner

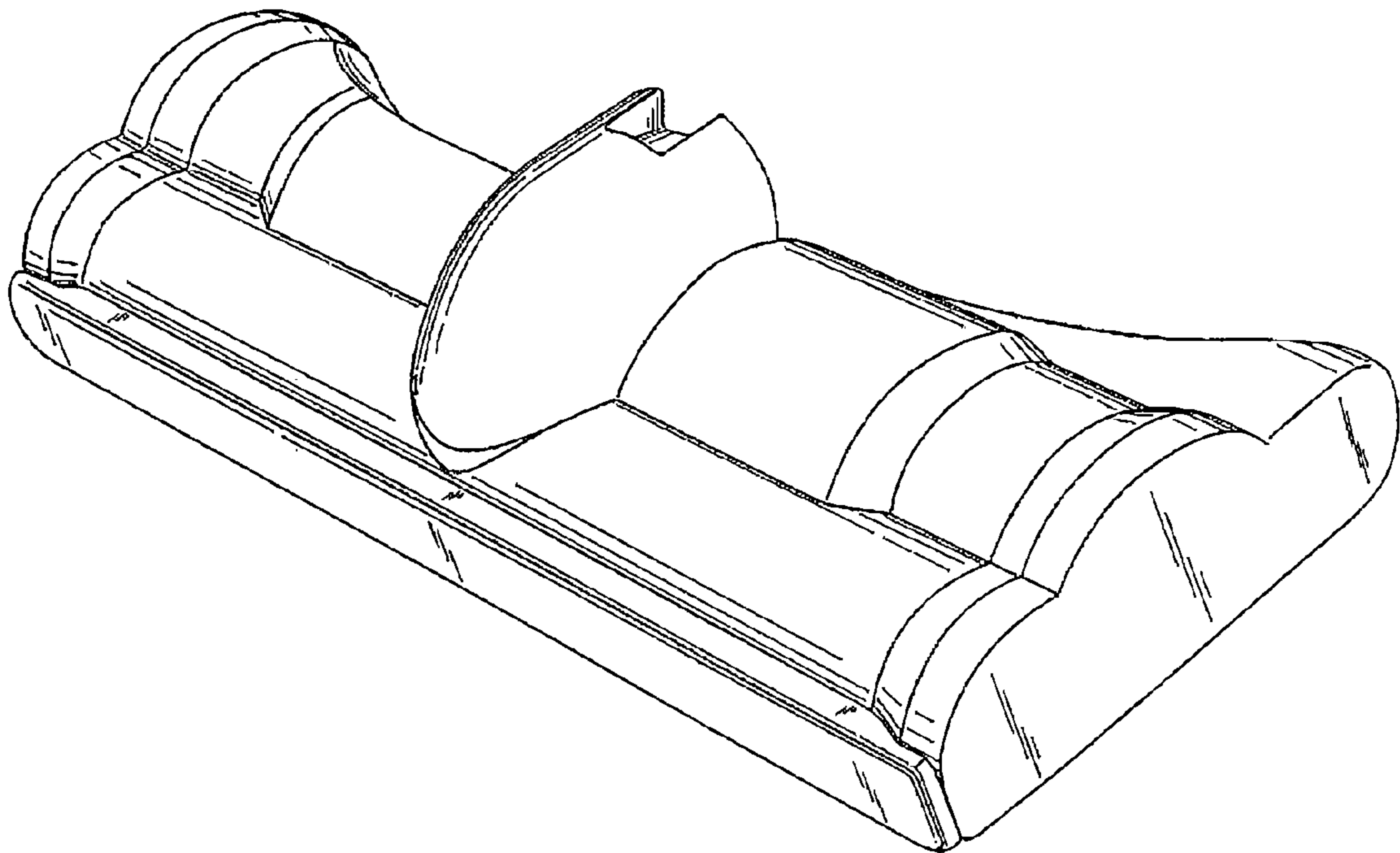


Fig. 1

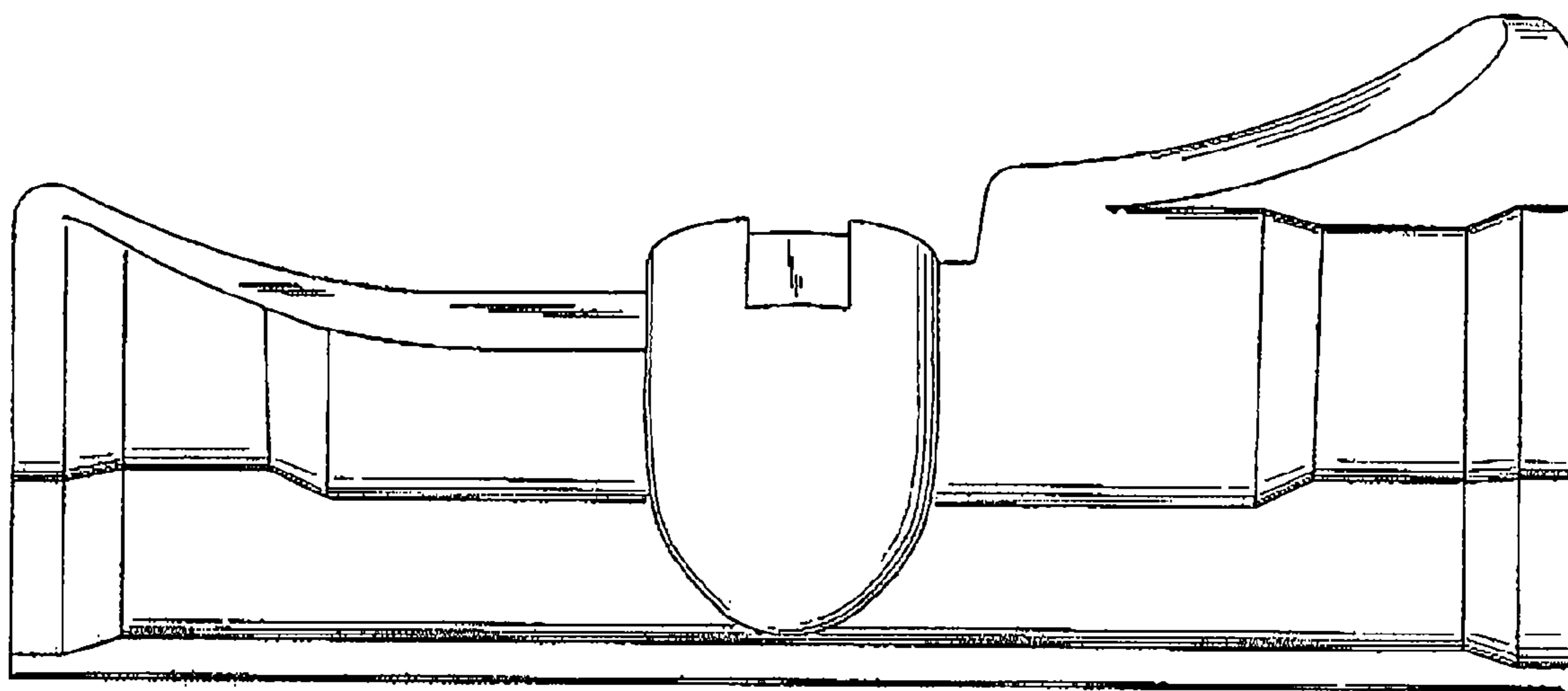


Fig. 2

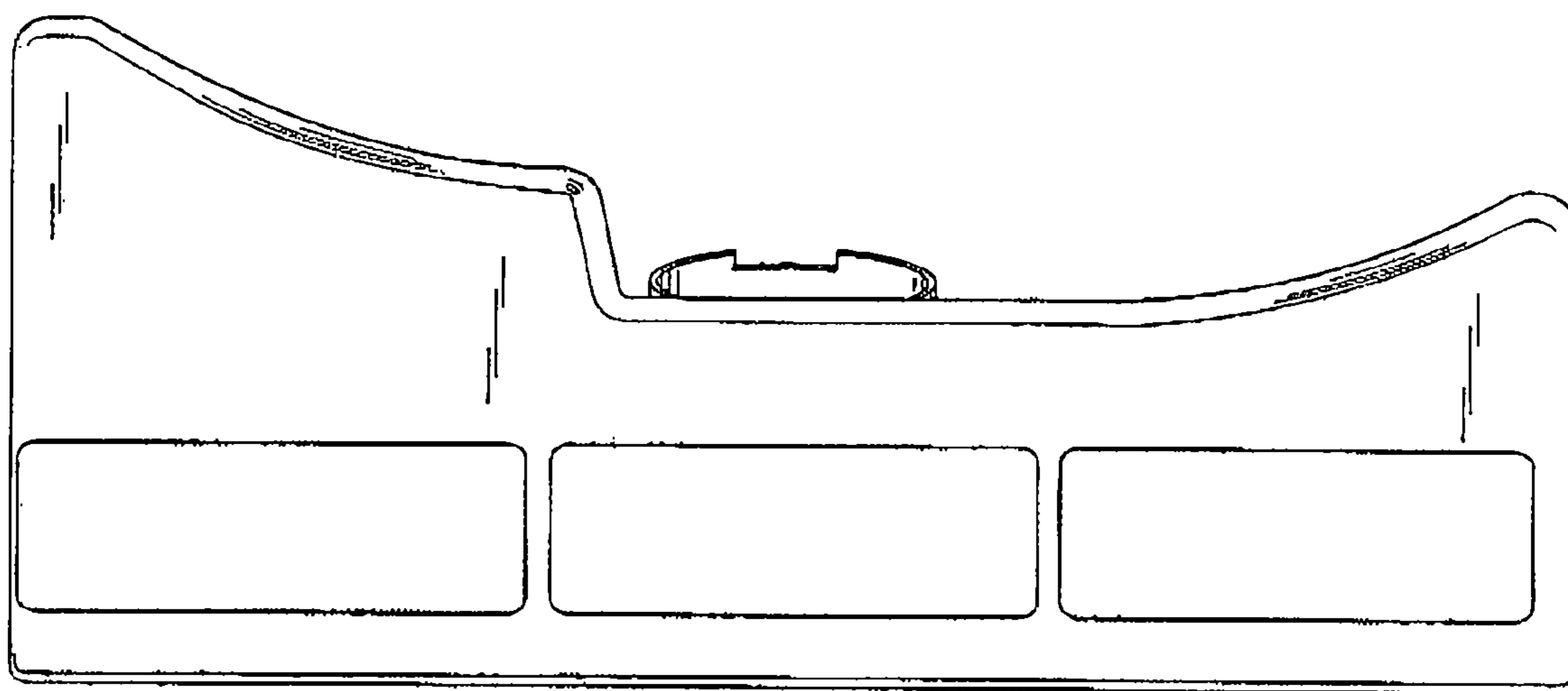


Fig. 3

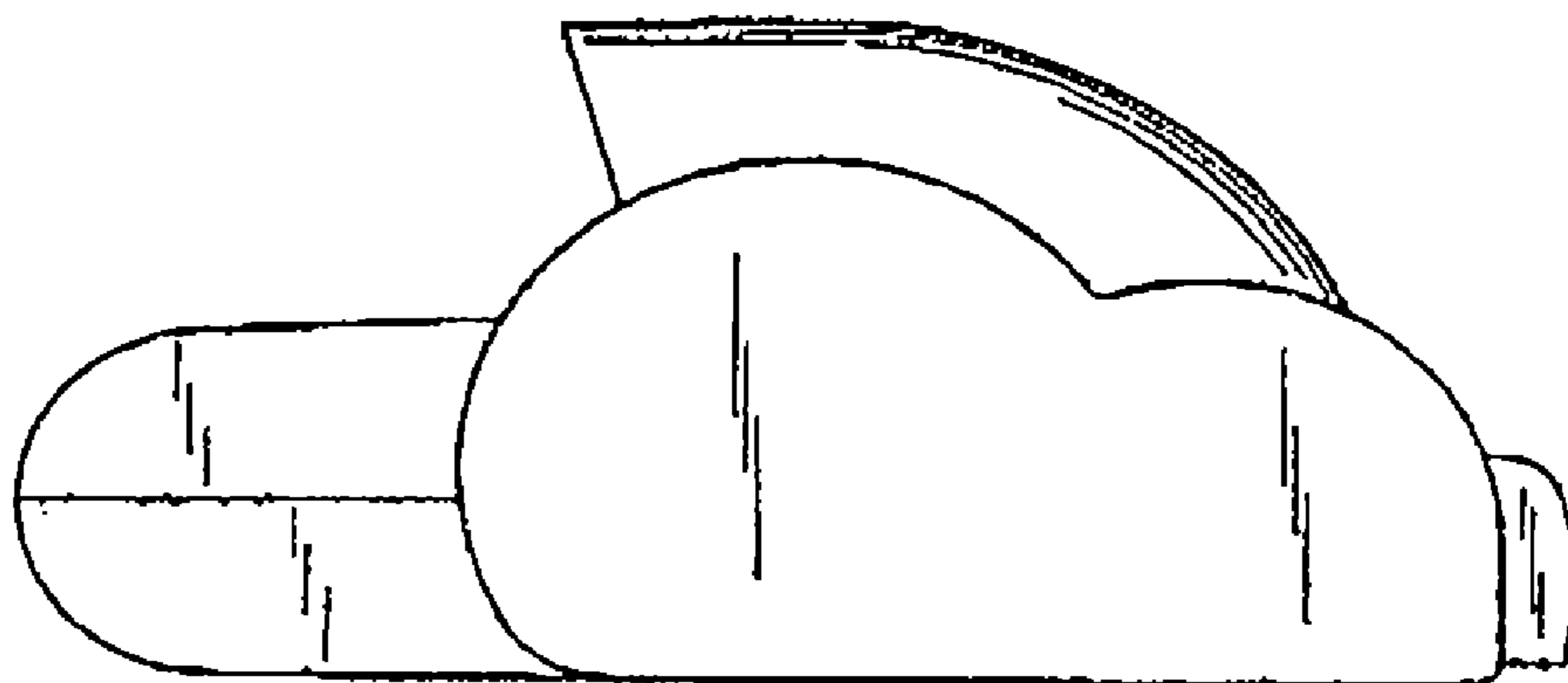


Fig. 4

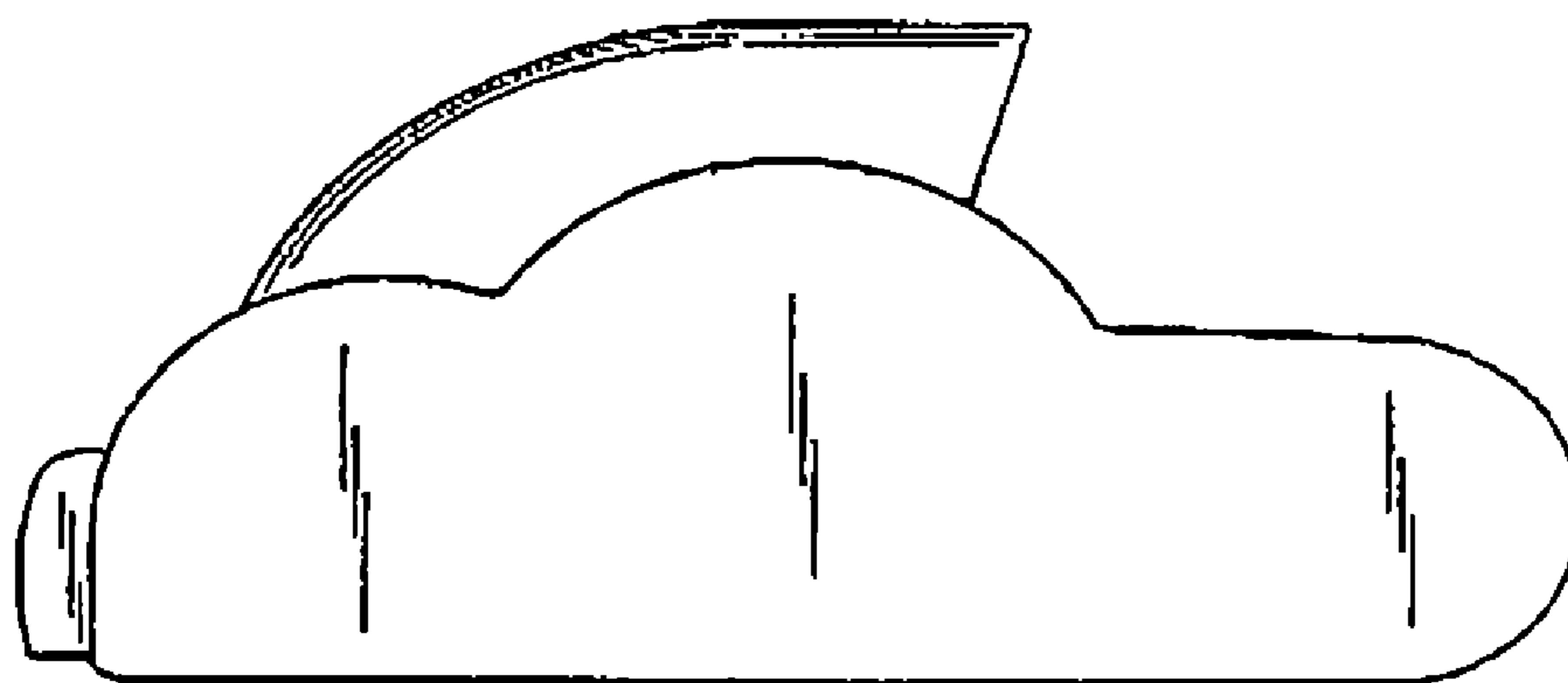


Fig. 5

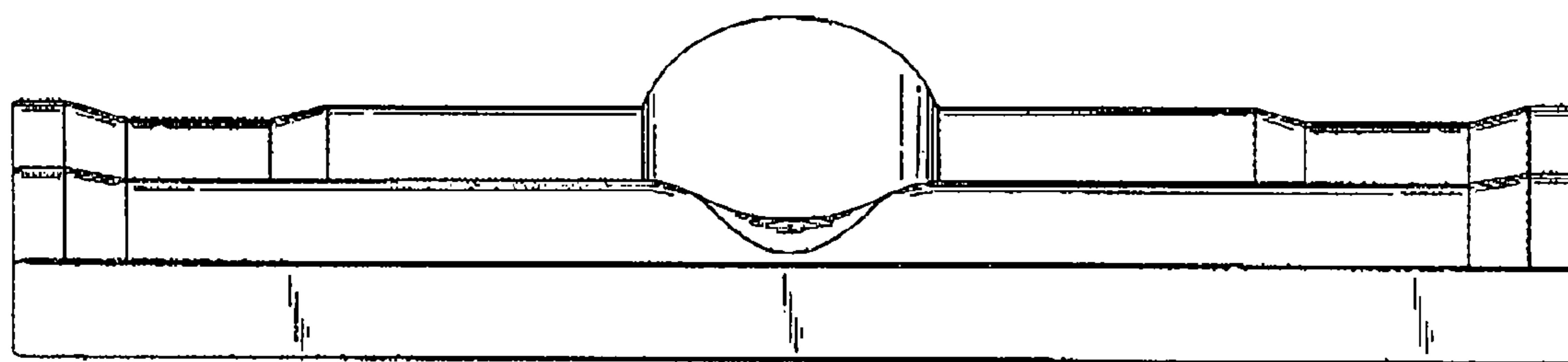


Fig. 6

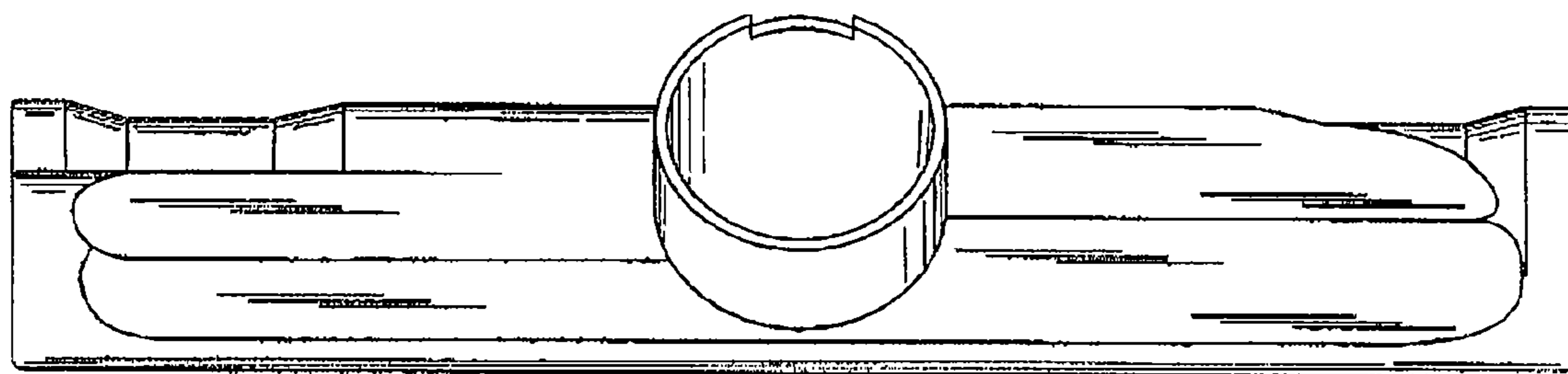


Fig. 7