



US00D600416S

(12) **United States Design Patent**
Shin et al.

(10) **Patent No.:** **US D600,416 S**

(45) **Date of Patent:** **** Sep. 15, 2009**

(54) **VACUUM CLEANER**

(75) Inventors: **Hyun Seon Shin**, Gyeonggi-do (KR);
Yong Gyun Ghim, Seoul (KR)

(73) Assignee: **LG Electronics Inc.**, Seoul (KR)

(**) Term: **14 Years**

(21) Appl. No.: **29/325,984**

(22) Filed: **Oct. 9, 2008**

(30) **Foreign Application Priority Data**

Apr. 10, 2008 (KR) 30-2008-0015270

(51) **LOC (9) Cl.** **15-05**

(52) **U.S. Cl.** **D32/21**

(58) **Field of Classification Search** D32/1,
D32/21, 31, 18; 15/327.1-327.7, 340.2,
15/412, 320-321, 329, 323, 246.2, 353, DIG. 1,
15/247, 347, 344; 417/234; 55/459.1, DIG. 3,
55/345, 337, 429, 460; 95/271; 210/512.1
See application file for complete search history.

(56) **References Cited**

U.S. PATENT DOCUMENTS

D462,488 S * 9/2002 Santiago et al. D32/18
6,536,073 B2 * 3/2003 Uratani et al. 15/327.4

D536,147 S * 1/2007 Medema et al. D32/18
D537,216 S * 2/2007 Davis D32/18
D556,398 S * 11/2007 Shin D32/21
D577,164 S * 9/2008 Williams et al. D32/21
D580,608 S * 11/2008 Santiago et al. D32/21
D582,109 S * 12/2008 Kim et al. D32/21
2001/0029641 A1 * 10/2001 Uratani et al. 15/327.4

* cited by examiner

Primary Examiner—Ruth McInroy

(74) *Attorney, Agent, or Firm*—Birch, Stewart, Kolasch &
Birch, LLP

(57) **CLAIM**

The ornamental design for a vacuum cleaner, as shown and described.

DESCRIPTION

FIG. 1 is a front left perspective view of a vacuum cleaner showing our new design;

FIG. 2 is a front view thereof;

FIG. 3 is a rear view thereof;

FIG. 4 is a left side view thereof;

FIG. 5 is a right side view thereof;

FIG. 6 is a top plan view thereof; and,

FIG. 7 is a bottom plan view thereof.

1 Claim, 7 Drawing Sheets

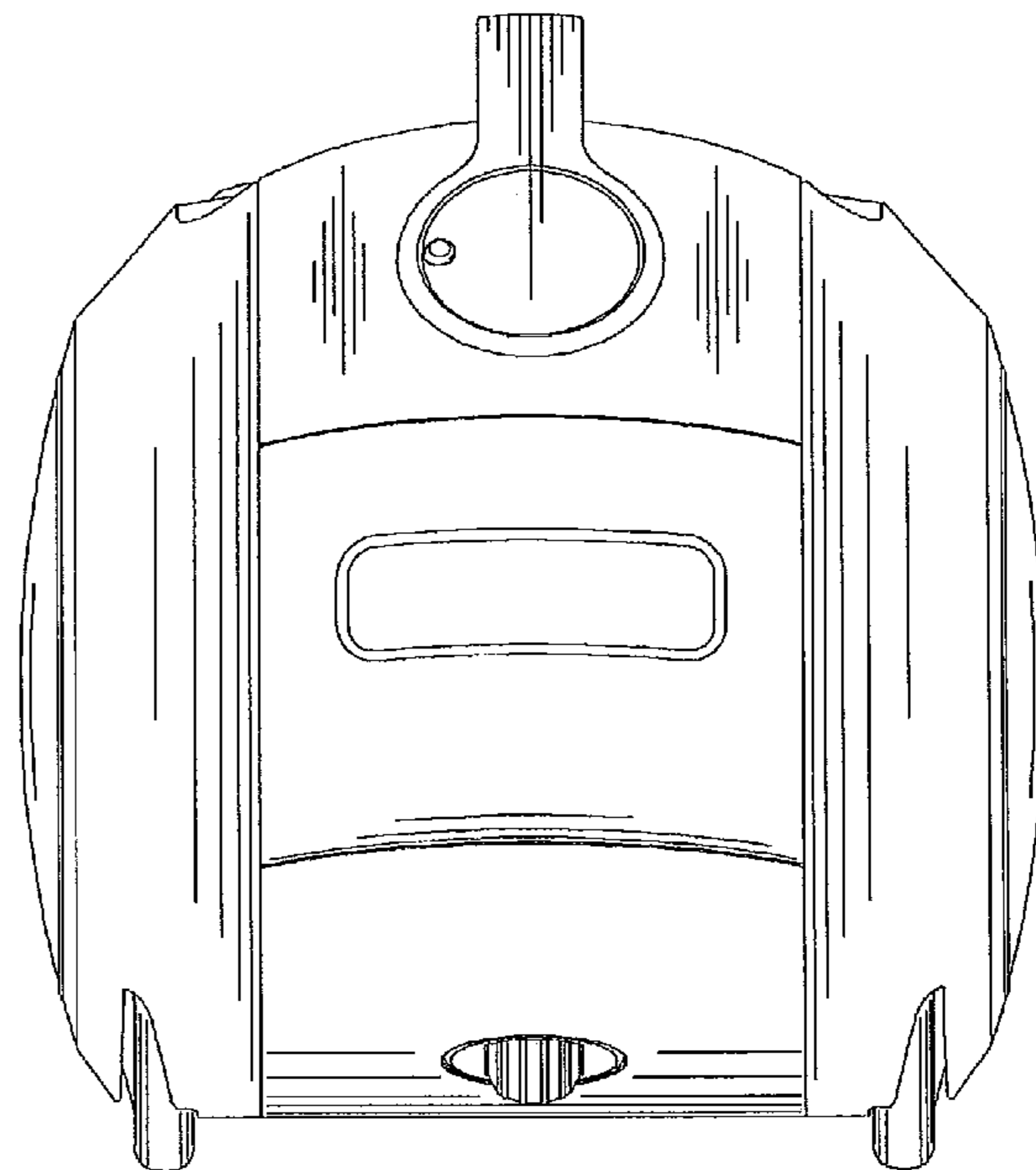
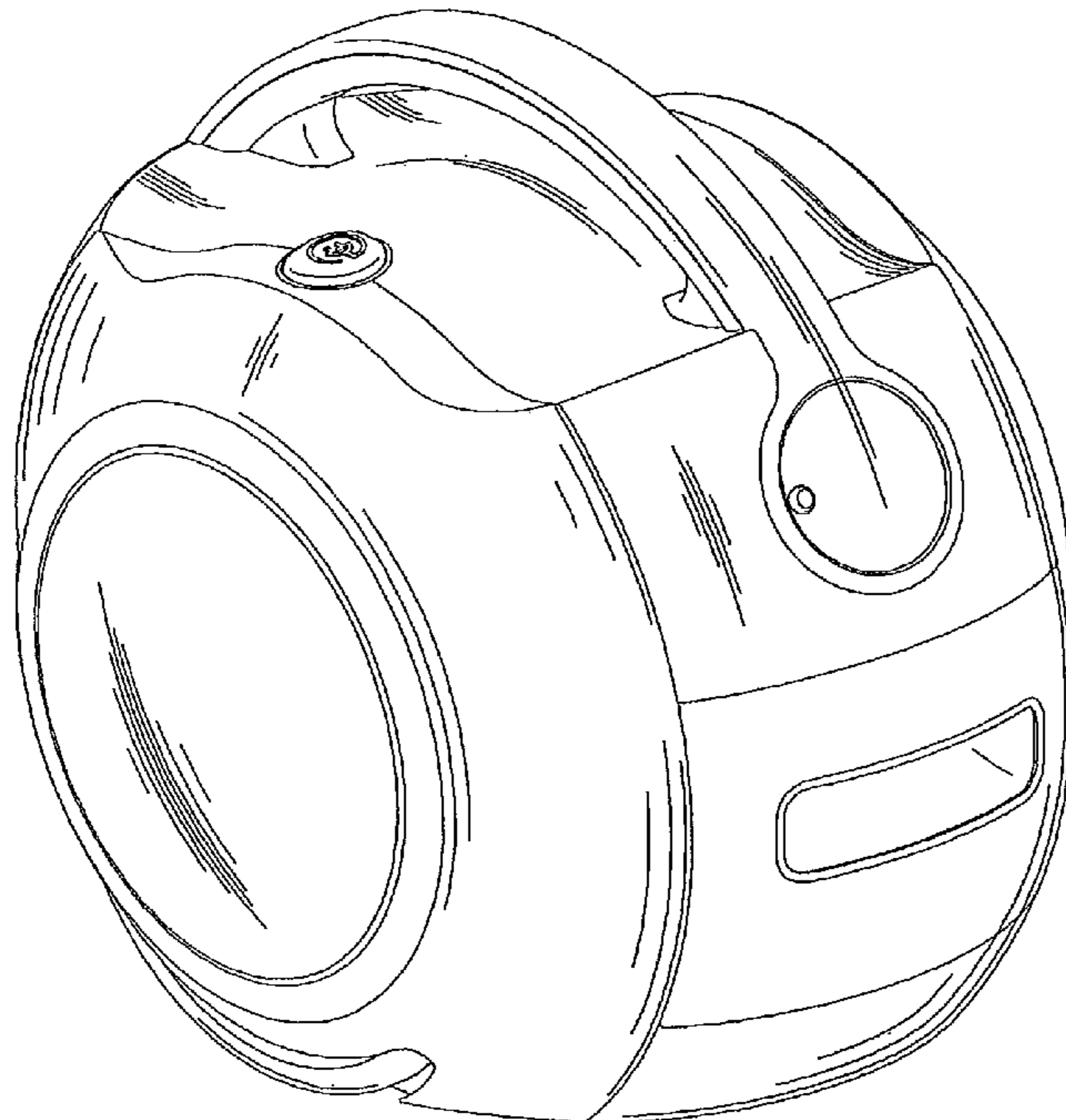


FIG. 1

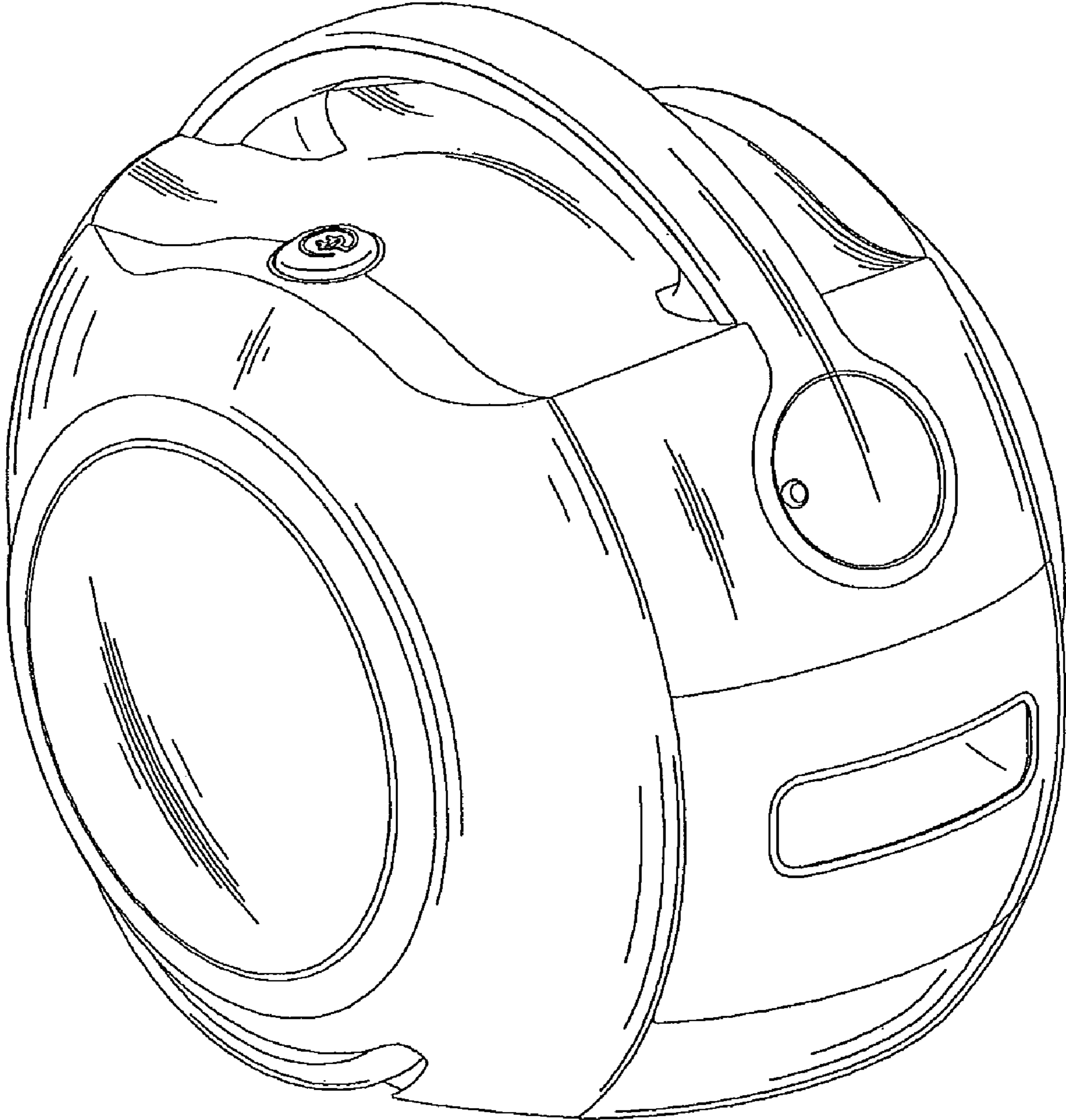


FIG. 2

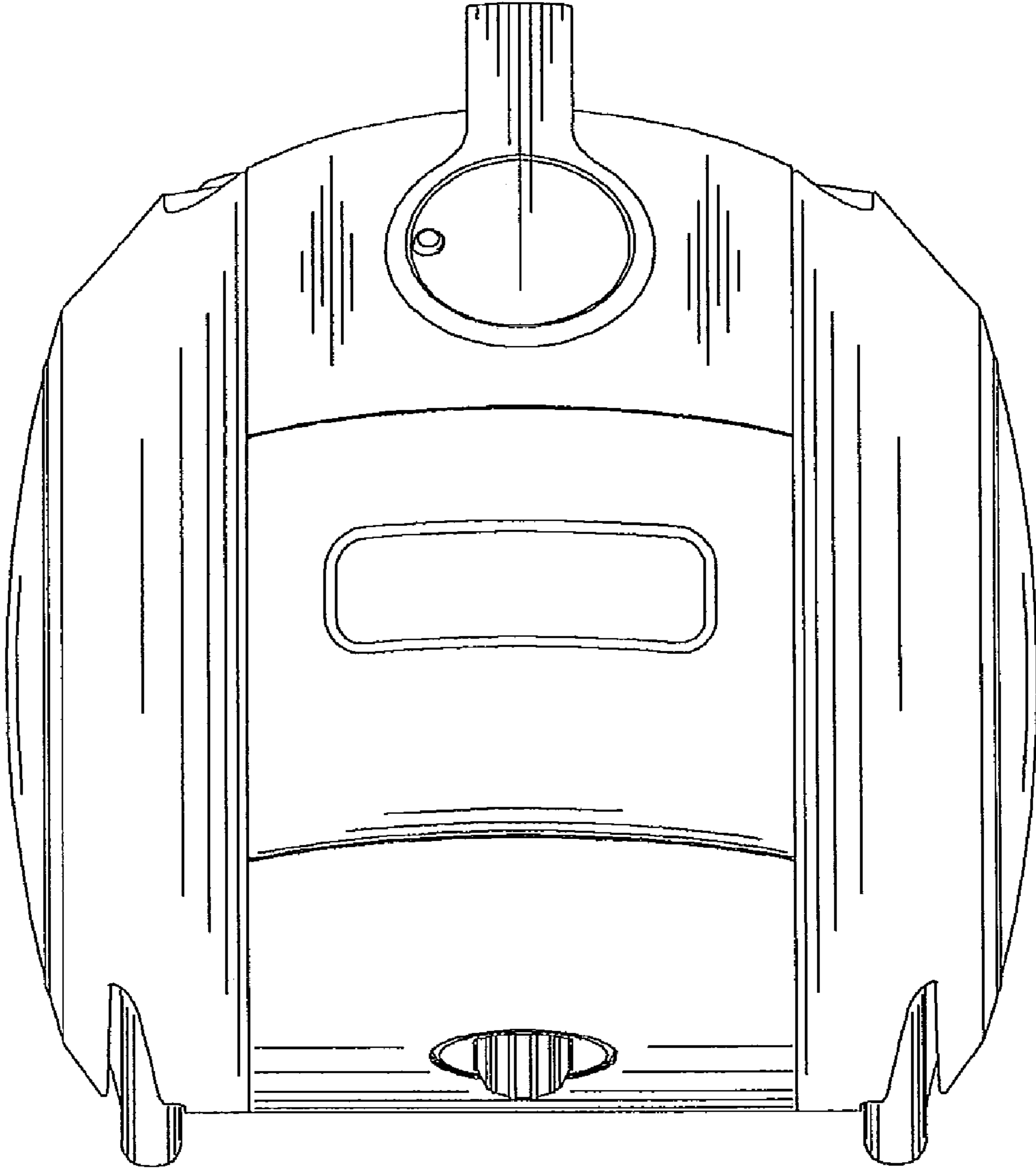


FIG. 3

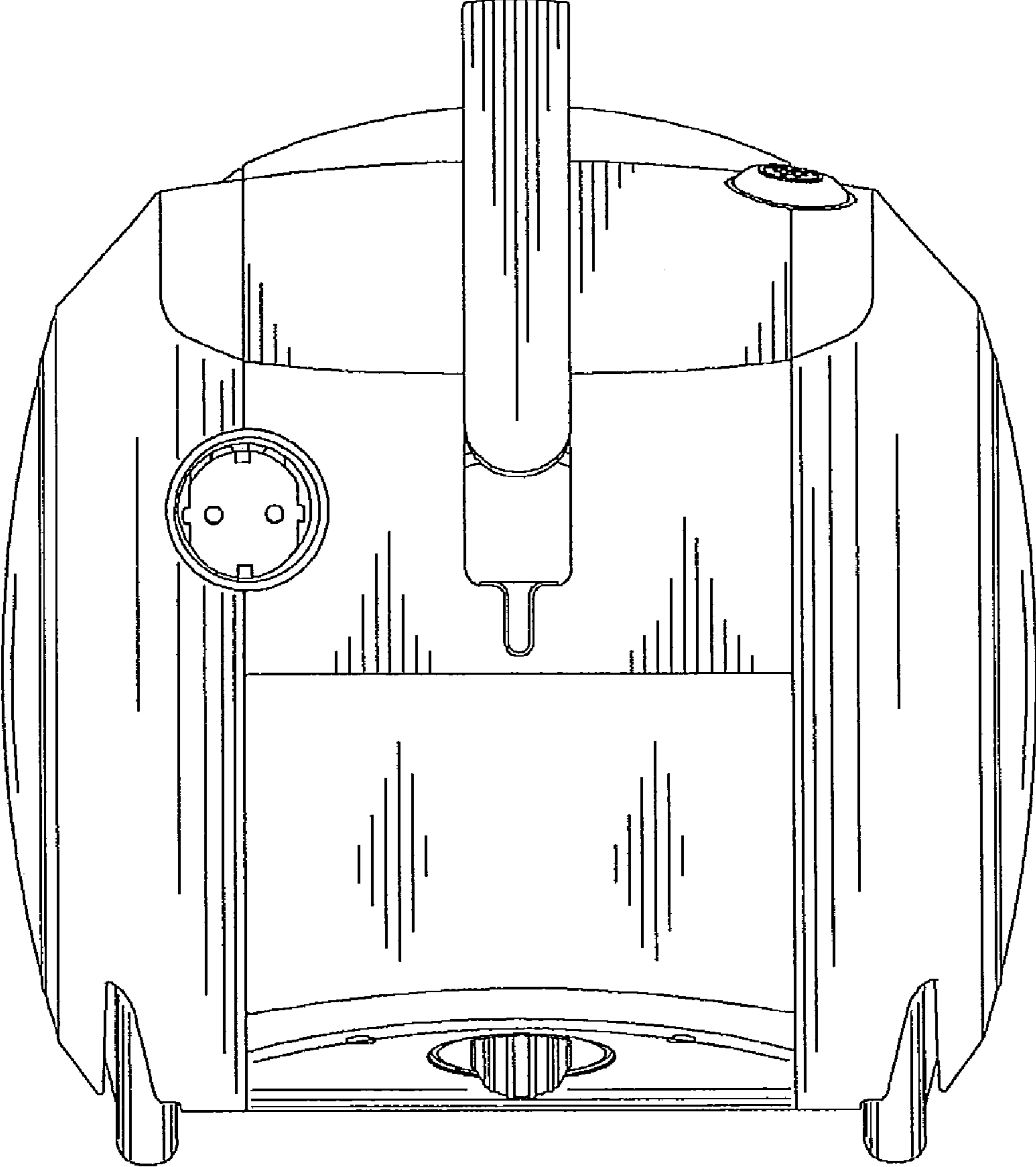


FIG. 4

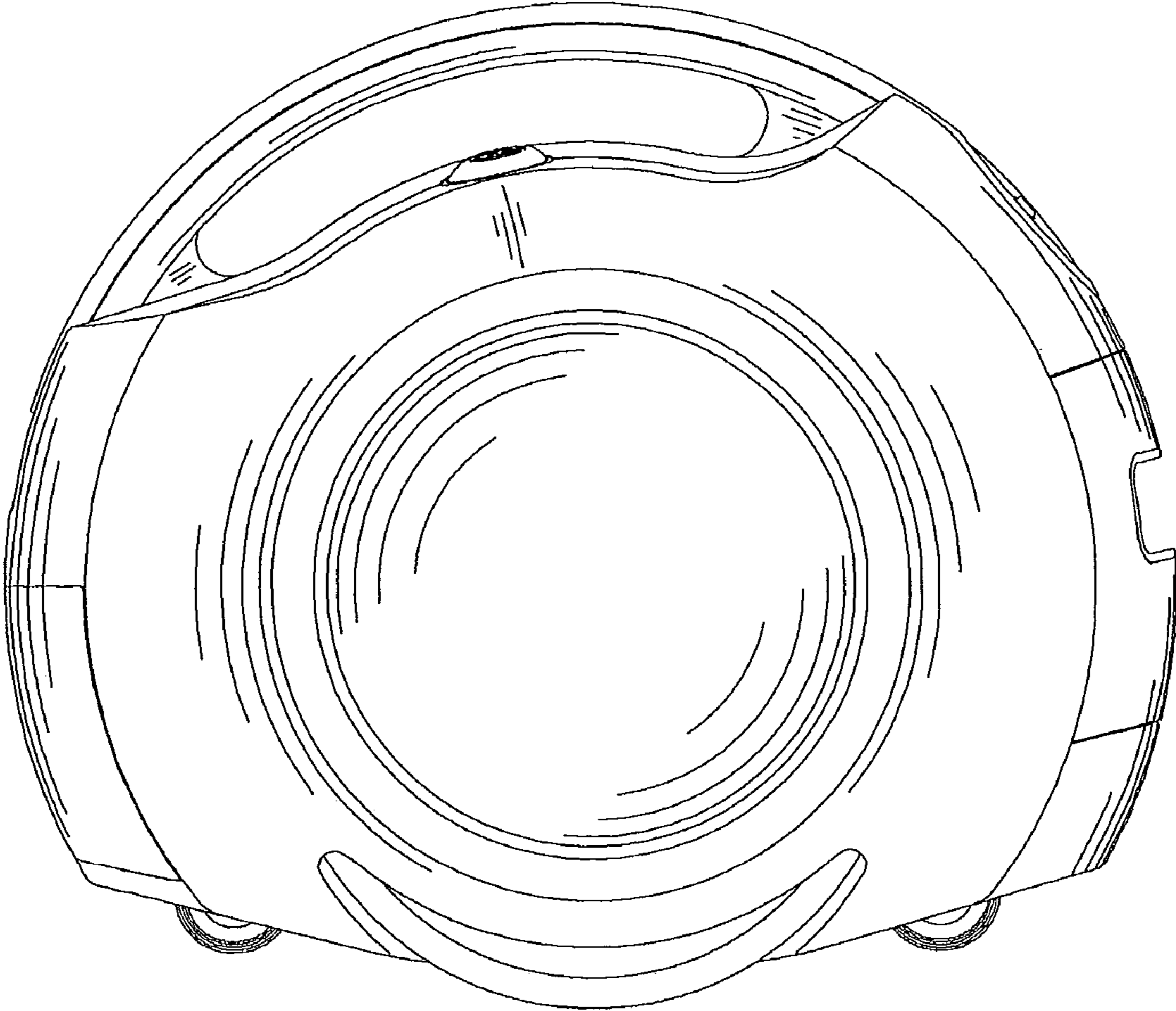


FIG. 5

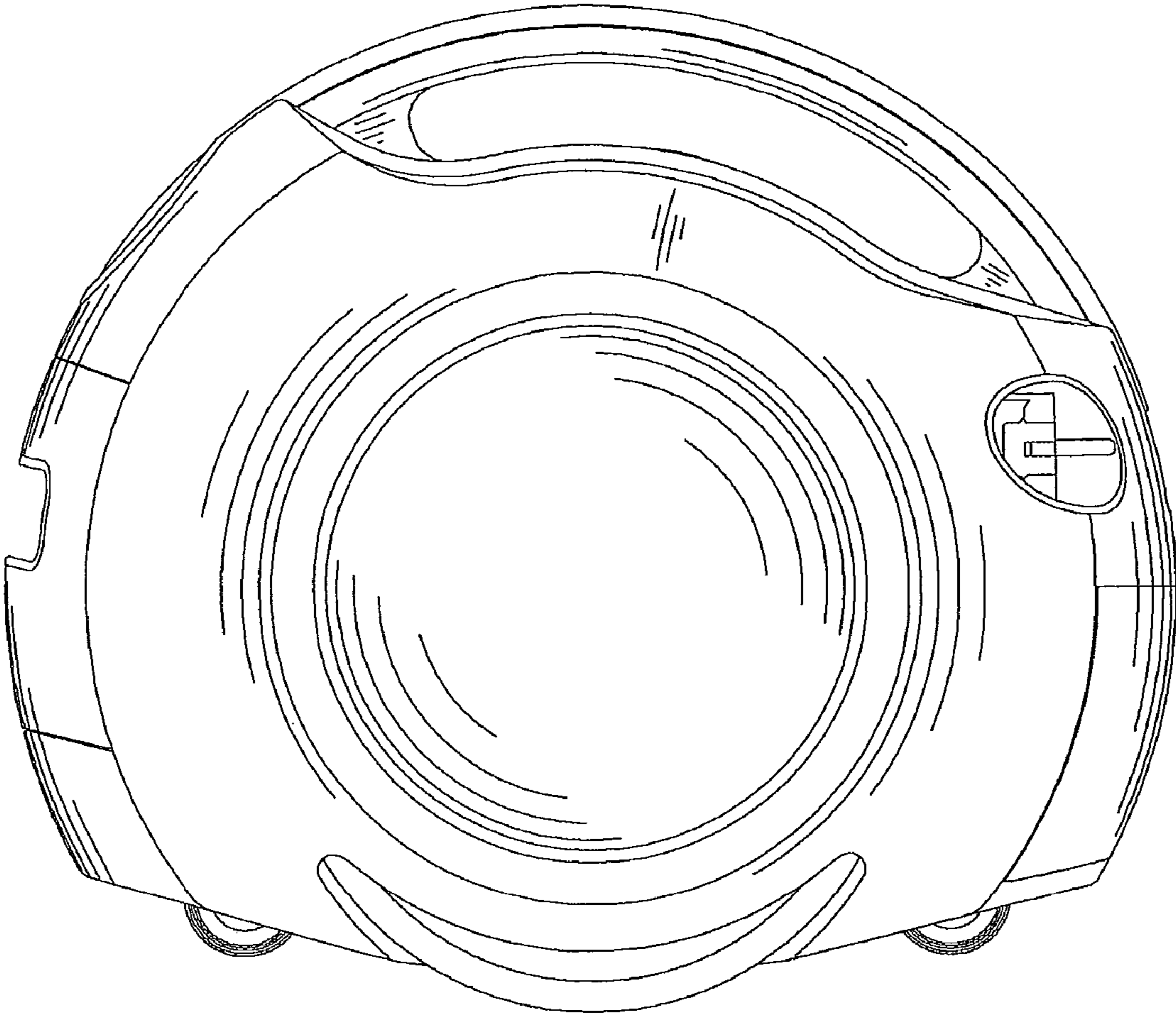


FIG. 6

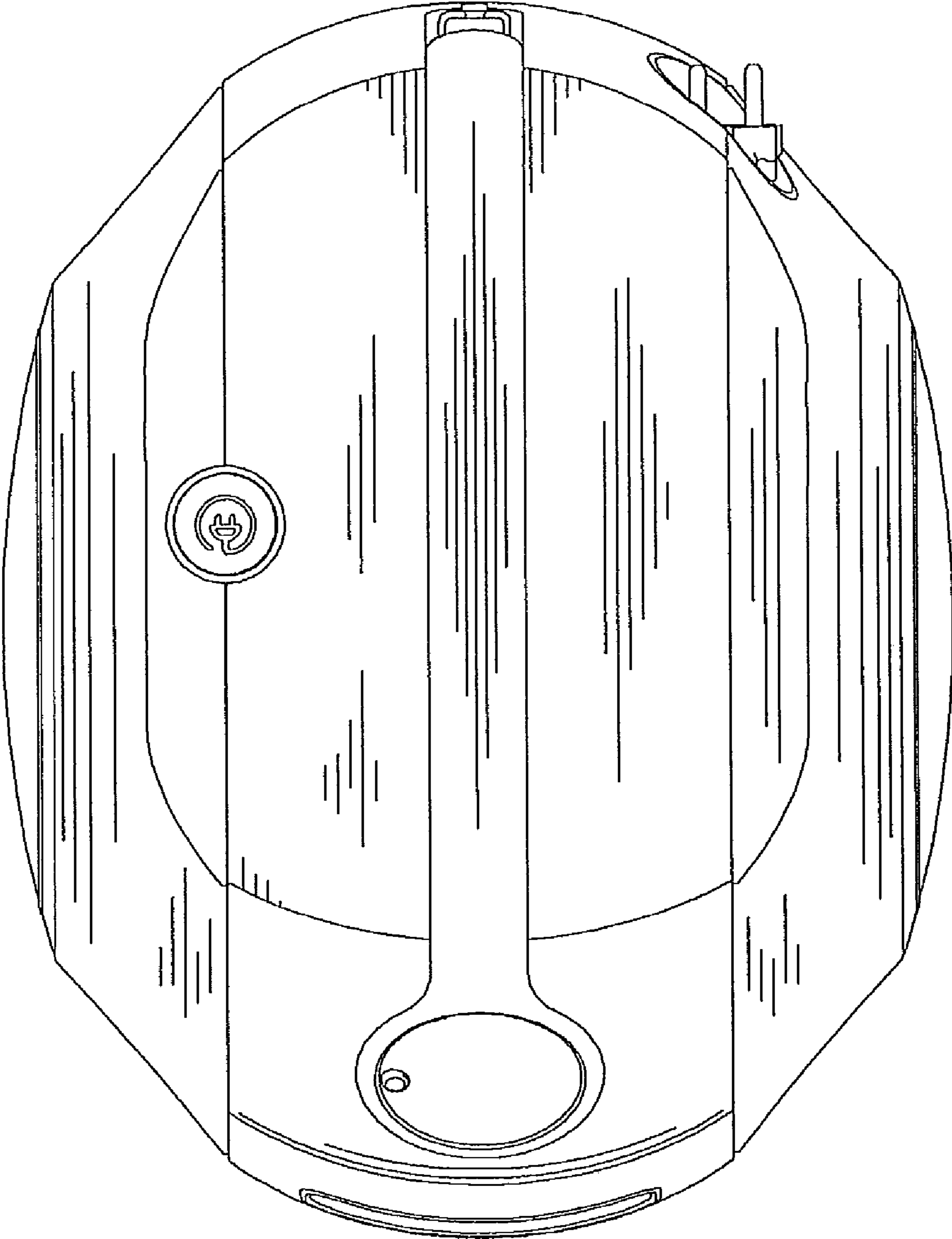


FIG. 7

