



US00D600415S

(12) **United States Design Patent**  
**Svantesson**

(10) **Patent No.:** **US D600,415 S**

(45) **Date of Patent:** **\*\* Sep. 15, 2009**

(54) **VACUUM CLEANER**

(75) Inventor: **Esbjorn Svantesson**, Taby (SE)

(73) Assignee: **Aktiebolaget Electrolux**, Stockholm (SE)

(\*\*) Term: **14 Years**

(21) Appl. No.: **29/323,205**

(22) Filed: **Aug. 20, 2008**

(30) **Foreign Application Priority Data**

Feb. 20, 2008 (EM) ..... 000882626

(51) **LOC (9) Cl.** ..... **15-05**

(52) **U.S. Cl.** ..... **D32/21**

(58) **Field of Classification Search** ..... D32/1,  
D32/21, 31, 18; 15/327.1–327.7, 340.2,  
15/412, 320–321, 329, 323, 246.2, 353, DIG. 1,  
15/247, 347, 344; 417/234; 55/459.1, DIG. 3,  
55/345, 337, 429, 460; 95/271; 210/512.1

See application file for complete search history.

(56) **References Cited**

**U.S. PATENT DOCUMENTS**

|              |         |                  |       |        |
|--------------|---------|------------------|-------|--------|
| D368,993 S * | 4/1996  | Stutzer et al.   | ..... | D32/21 |
| D394,528 S * | 5/1998  | Pochopien et al. | ..... | D32/21 |
| D398,093 S * | 9/1998  | Fujima           | ..... | D32/21 |
| D403,475 S * | 12/1998 | Mehaffey et al.  | ..... | D32/21 |
| D417,323 S * | 11/1999 | Fujita et al.    | ..... | D32/21 |
| D446,363 S * | 8/2001  | Sato et al.      | ..... | D32/21 |
| D491,703 S * | 6/2004  | Harada           | ..... | D32/21 |
| D495,455 S * | 8/2004  | Brown et al.     | ..... | D32/21 |
| D503,250 S * | 3/2005  | Choi             | ..... | D32/21 |
| D506,856 S * | 6/2005  | Schroter         | ..... | D32/21 |
| D530,469 S * | 10/2006 | Ikeno            | ..... | D32/21 |
| D559,482 S * | 1/2008  | Jansson et al.   | ..... | D32/21 |

D572,421 S \* 7/2008 Schroeter ..... D32/21

\* cited by examiner

*Primary Examiner*—Ruth McInroy

(74) *Attorney, Agent, or Firm*—Banner & Witcoff, Ltd.

(57) **CLAIM**

The ornamental design for a vacuum cleaner, as shown and described.

**DESCRIPTION**

FIG. 1 is a front perspective view of a first embodiment for a vacuum cleaner showing my new design;

FIG. 2 is a left side view thereof;

FIG. 3 is a top plan view thereof;

FIG. 4 is a bottom view thereof;

FIG. 5 is a right side thereof;

FIG. 6 is a front elevational view thereof;

FIG. 7 is a rear elevational view thereof;

FIG. 8 is a rear perspective view thereof;

FIG. 9 is a front perspective of a second embodiment of a vacuum cleaner showing my new design;

FIG. 10 is a left side view thereof;

FIG. 11 is a top plan view thereof;

FIG. 12 is a bottom view thereof;

FIG. 13 is a right side thereof;

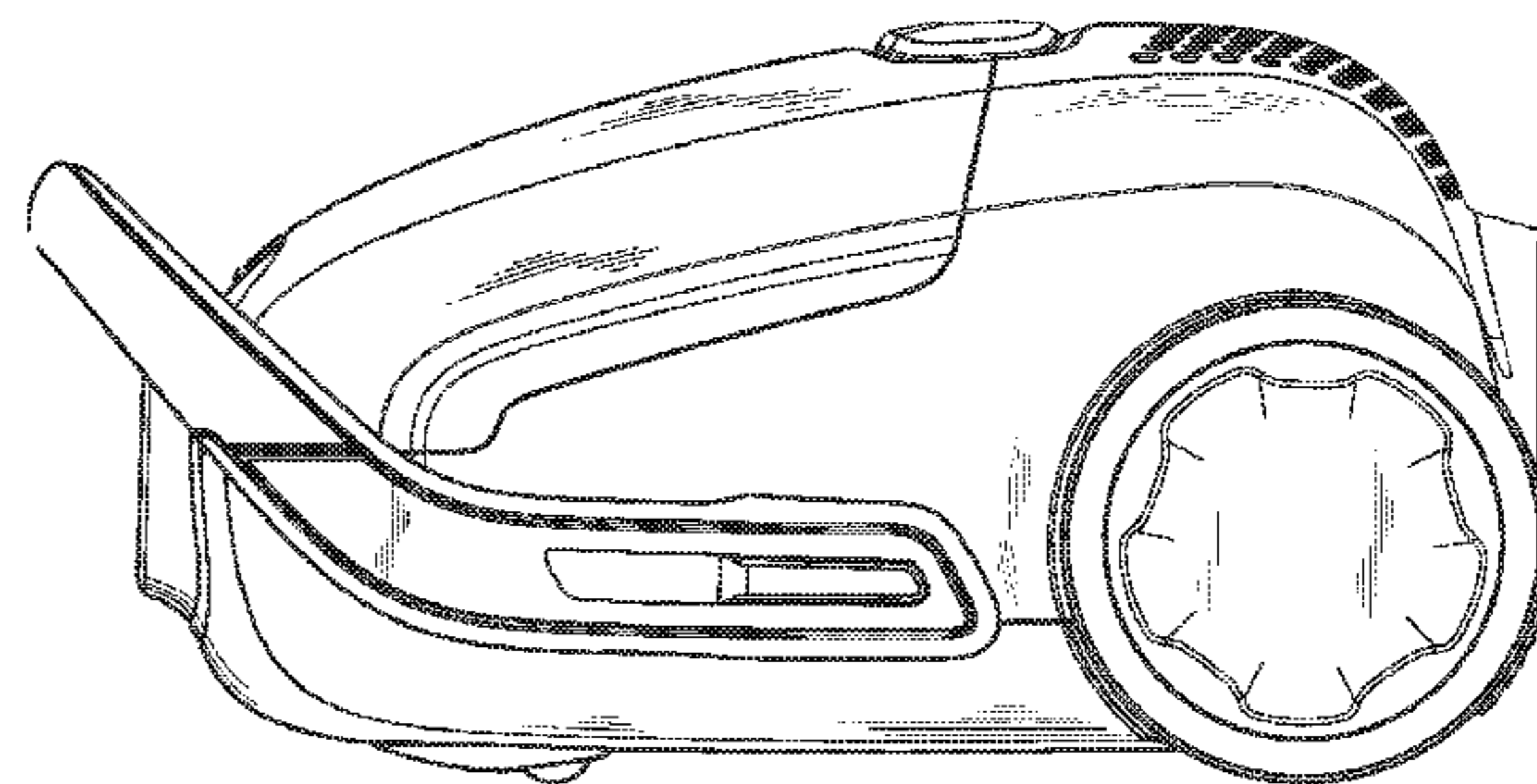
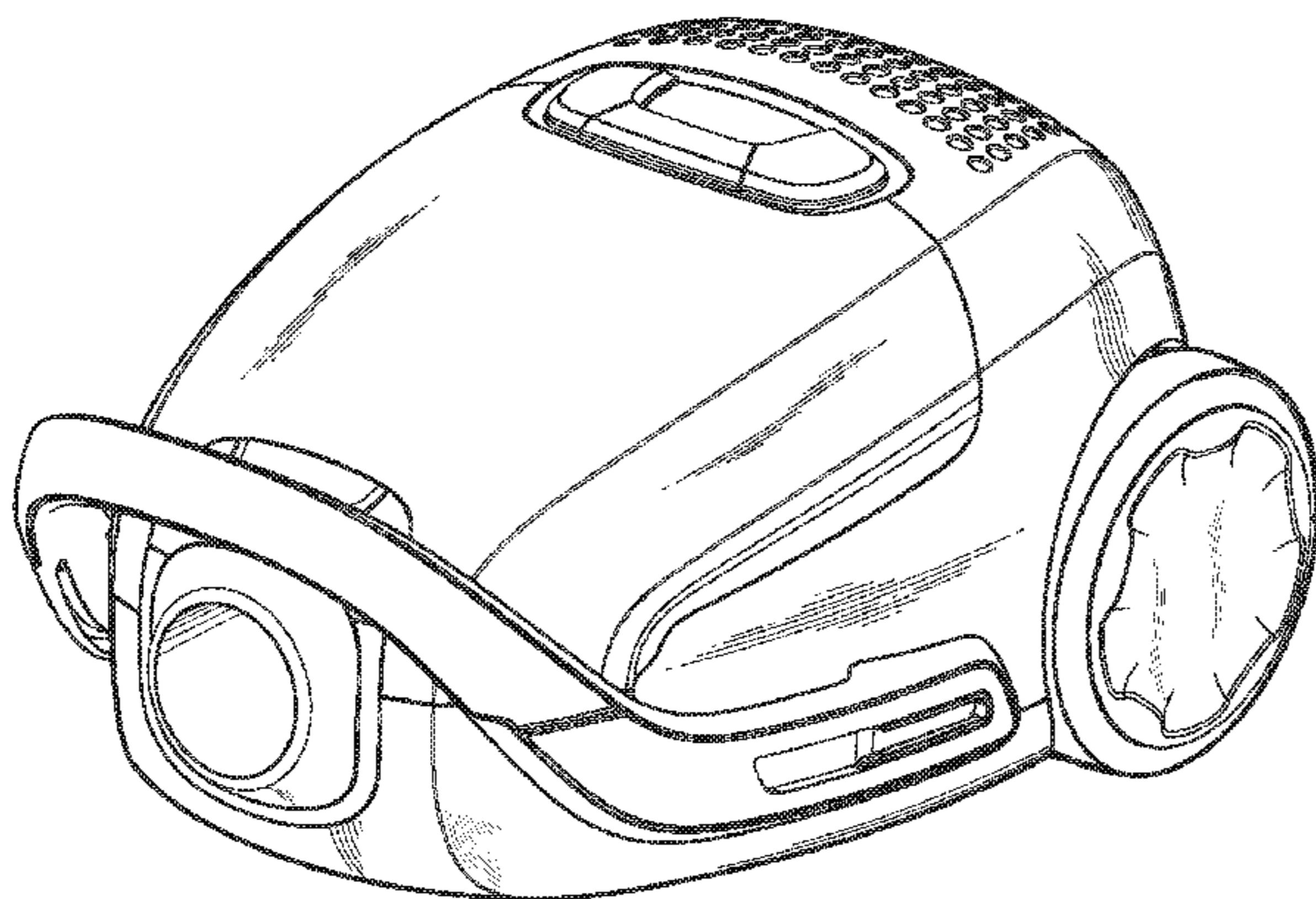
FIG. 14 is a front elevational view thereof;

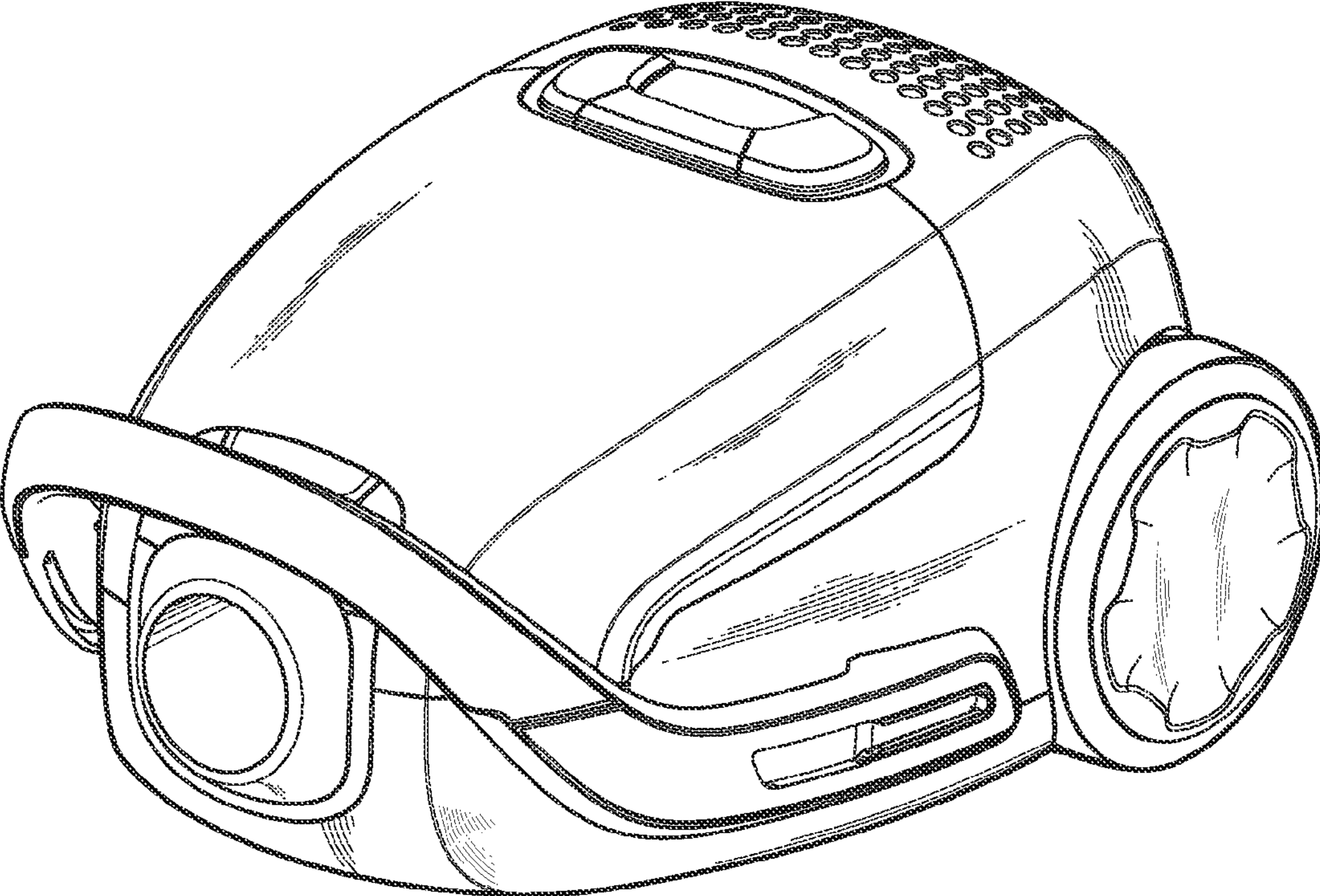
FIG. 15 is a rear elevational view thereof; and,

FIG. 16 is a rear perspective view thereof.

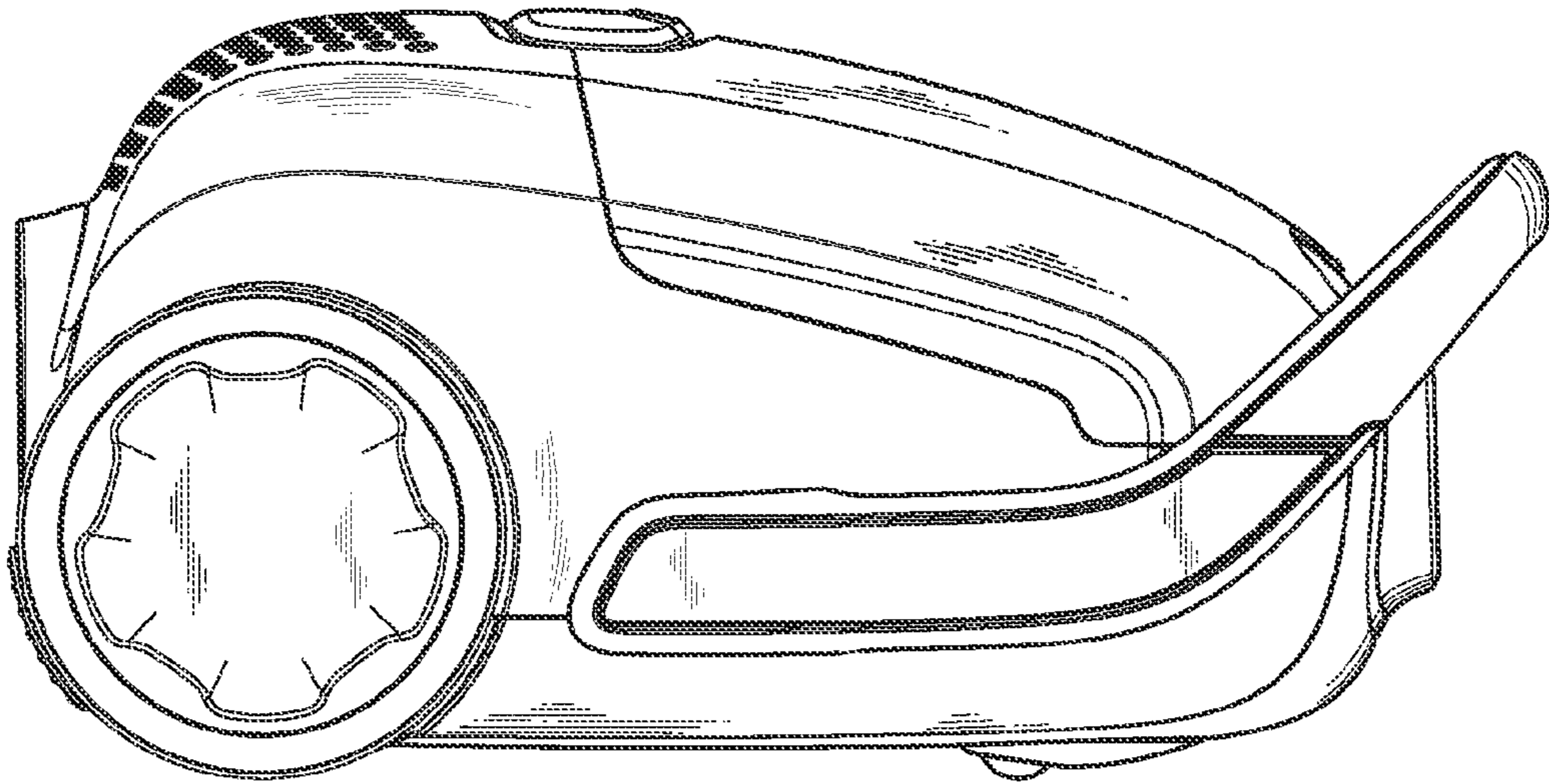
The broken line showings of various regions of FIGS. 9–16 are to represent environmental structure and form no part of the claimed design.

**1 Claim, 10 Drawing Sheets**

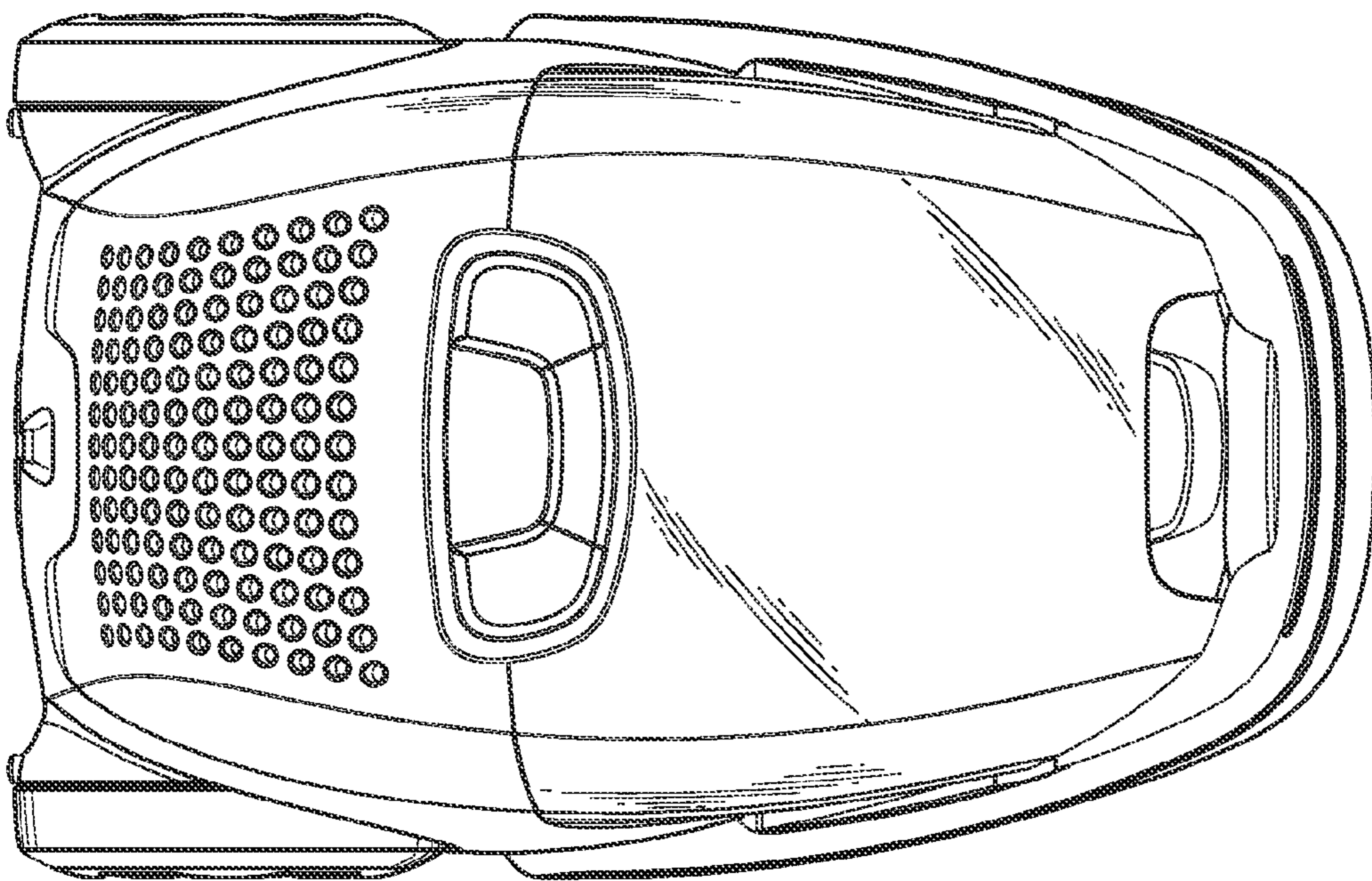




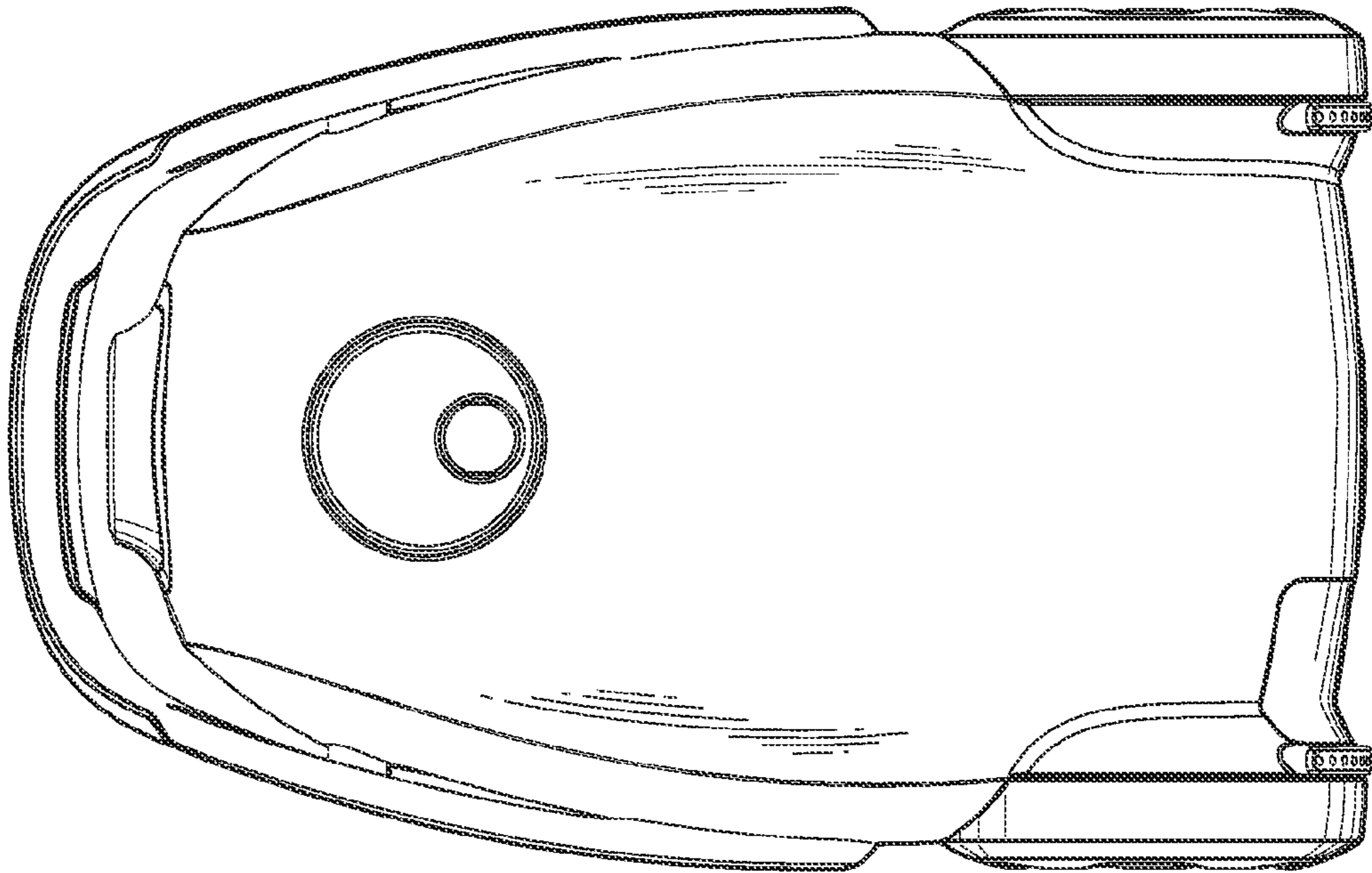
*Fig. 1*



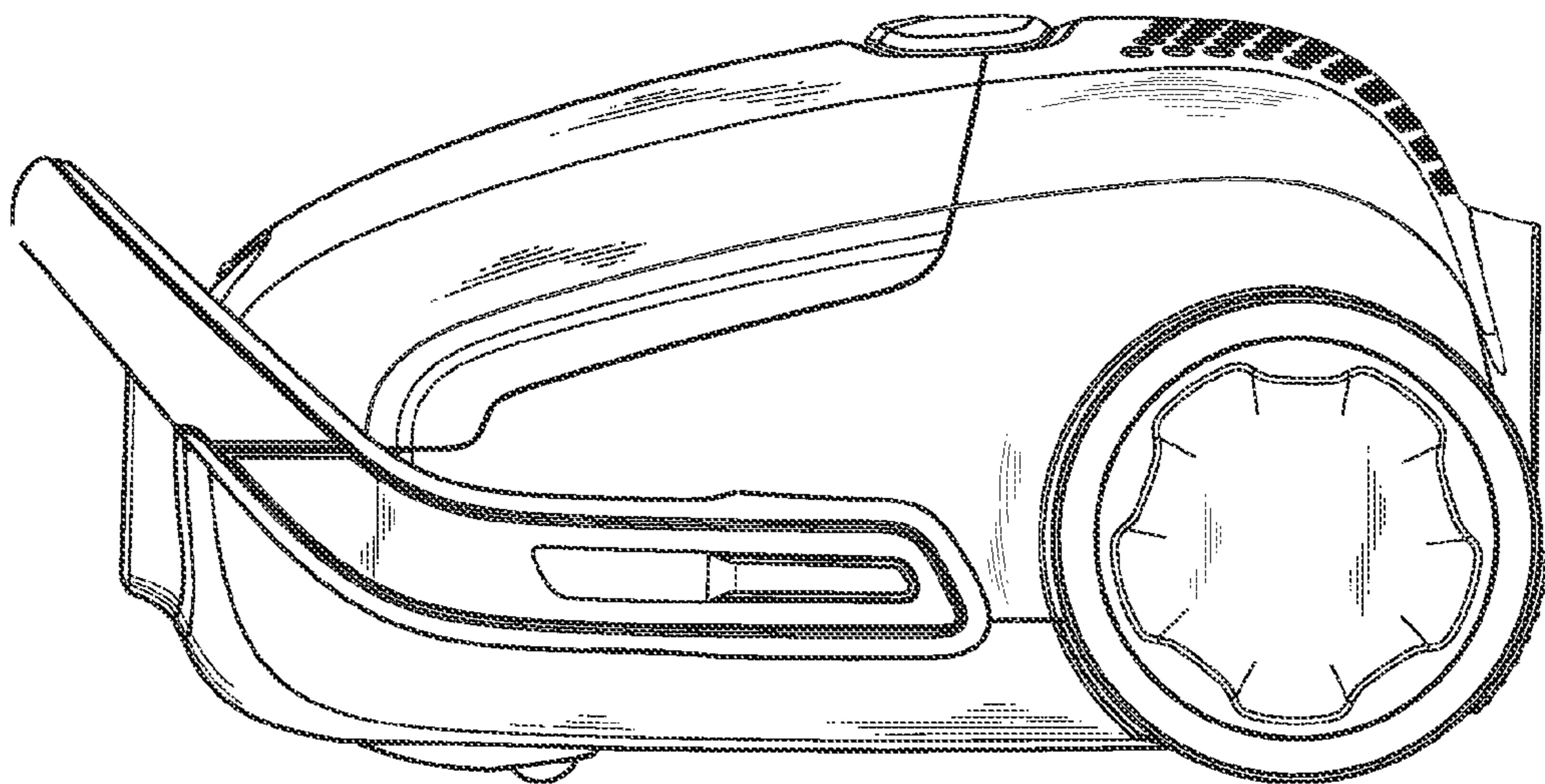
*Fig. 2*



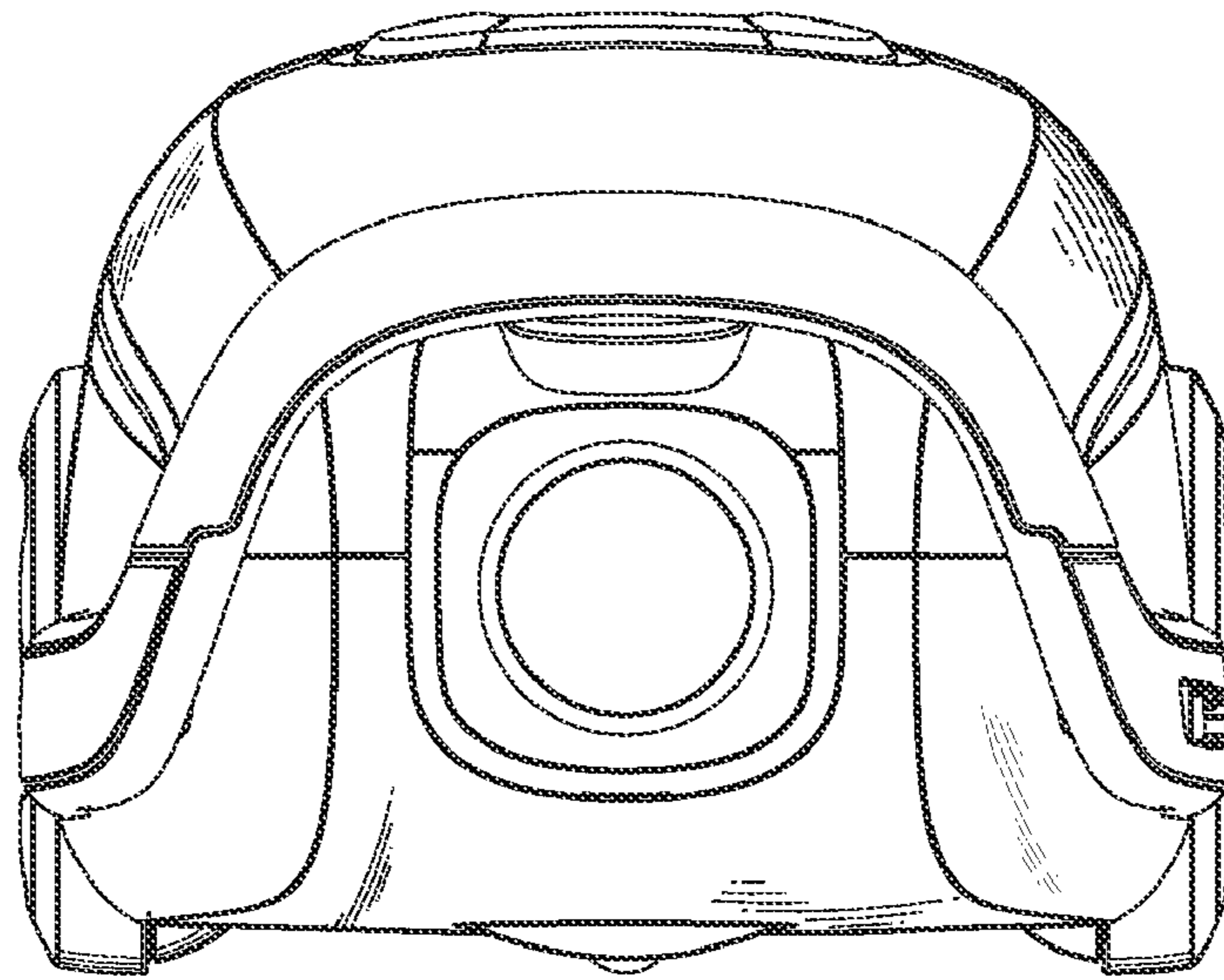
*Fig. 3*



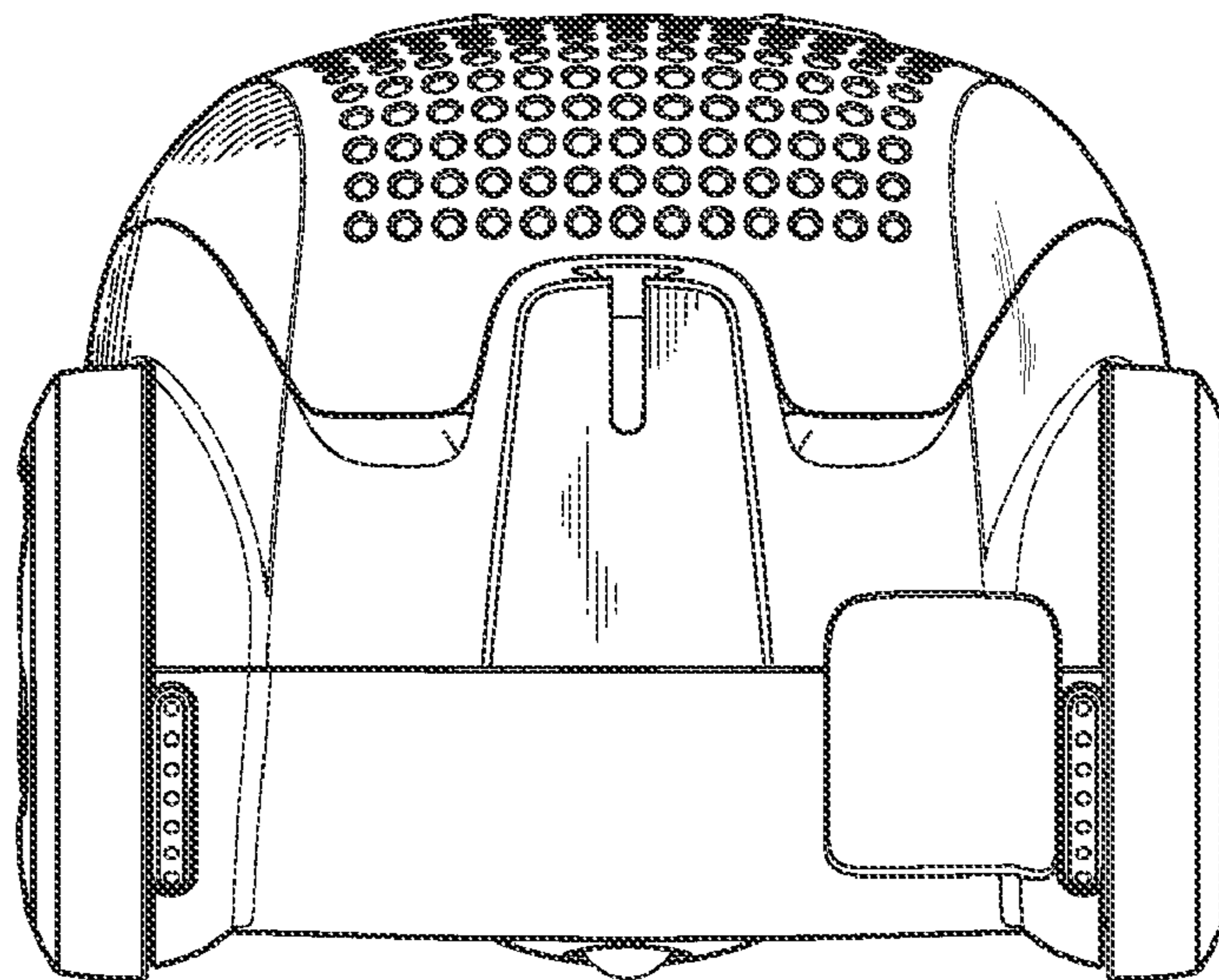
*Fig. 4*



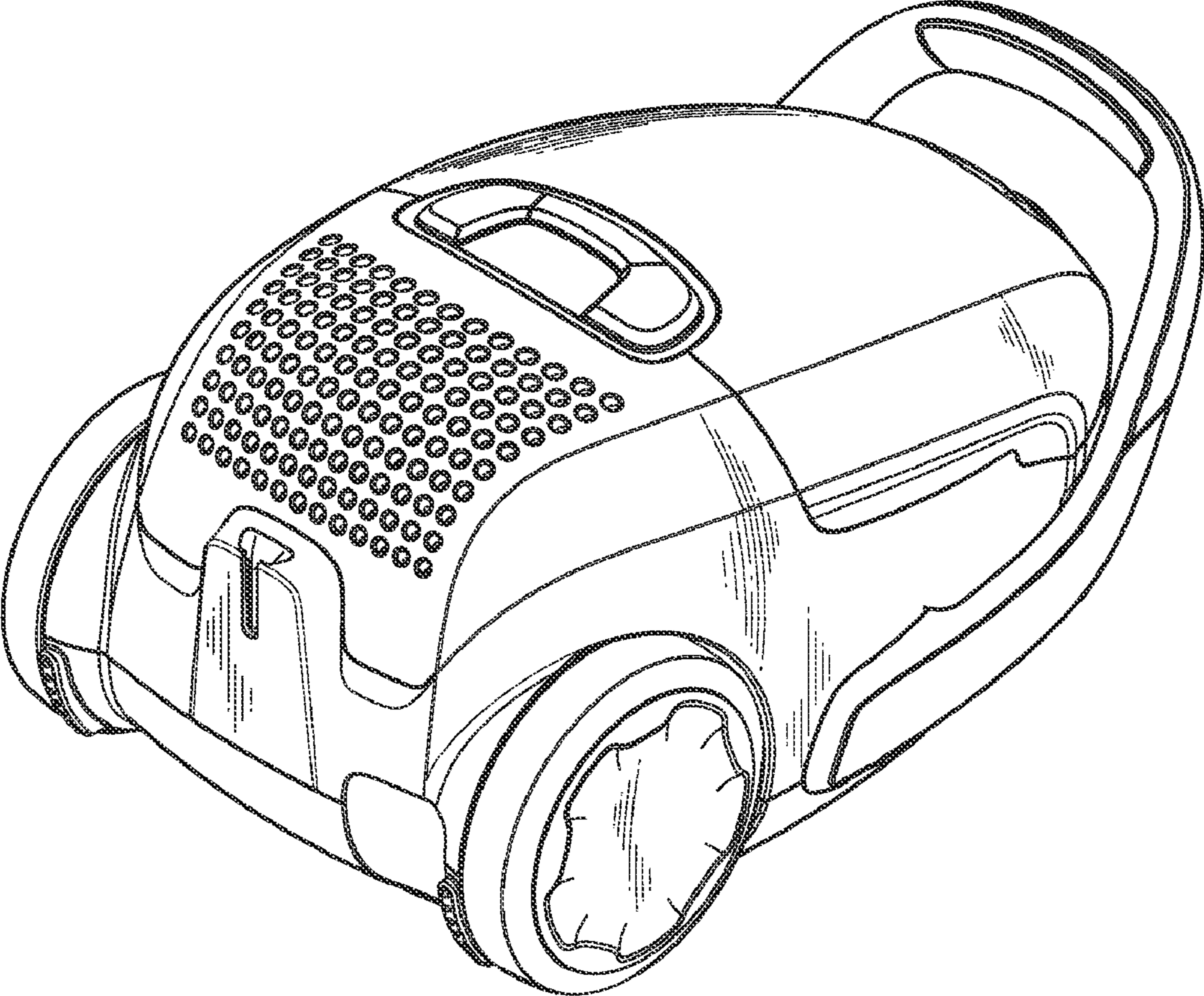
*Fig. 5*



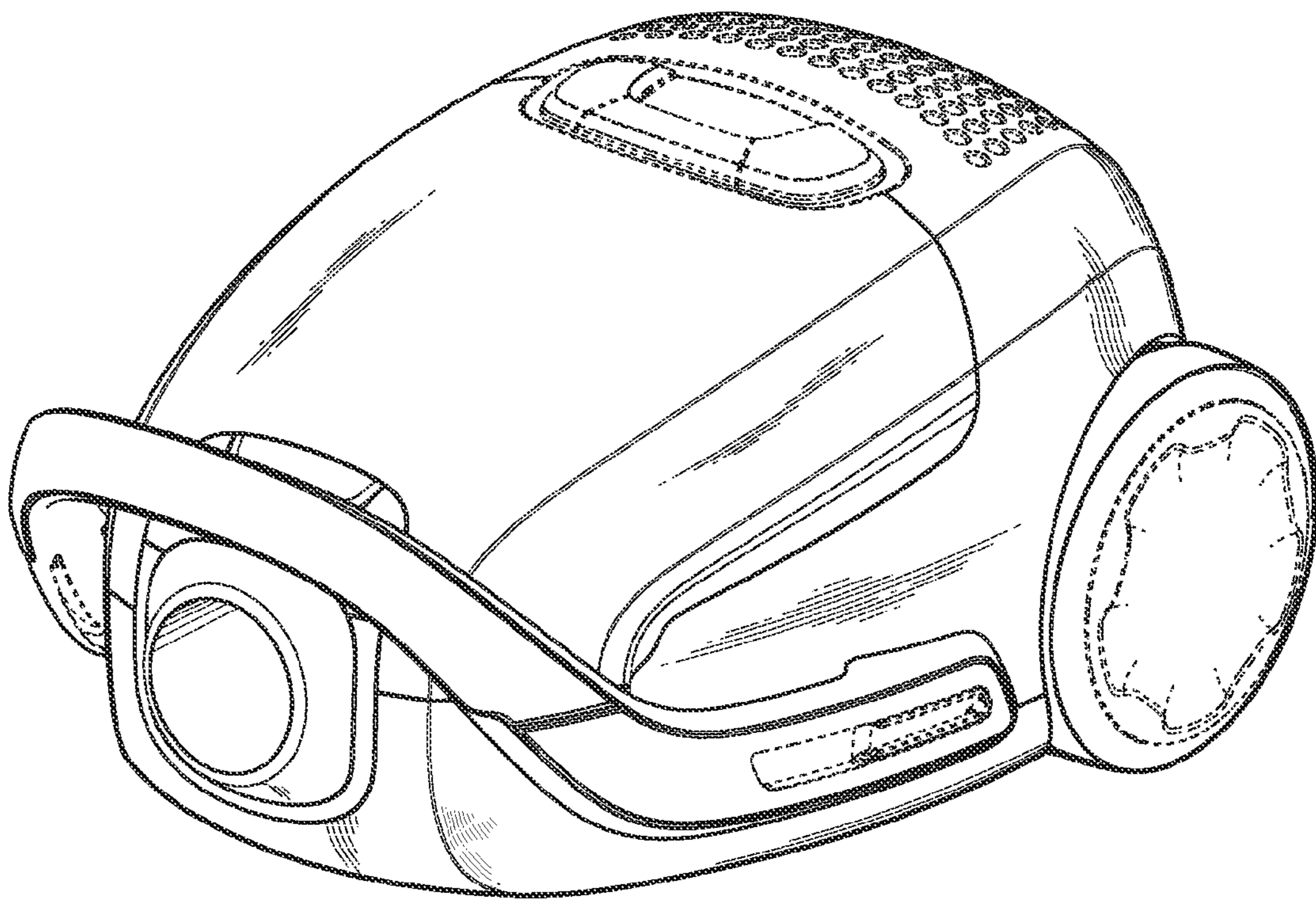
*Fig. 6*



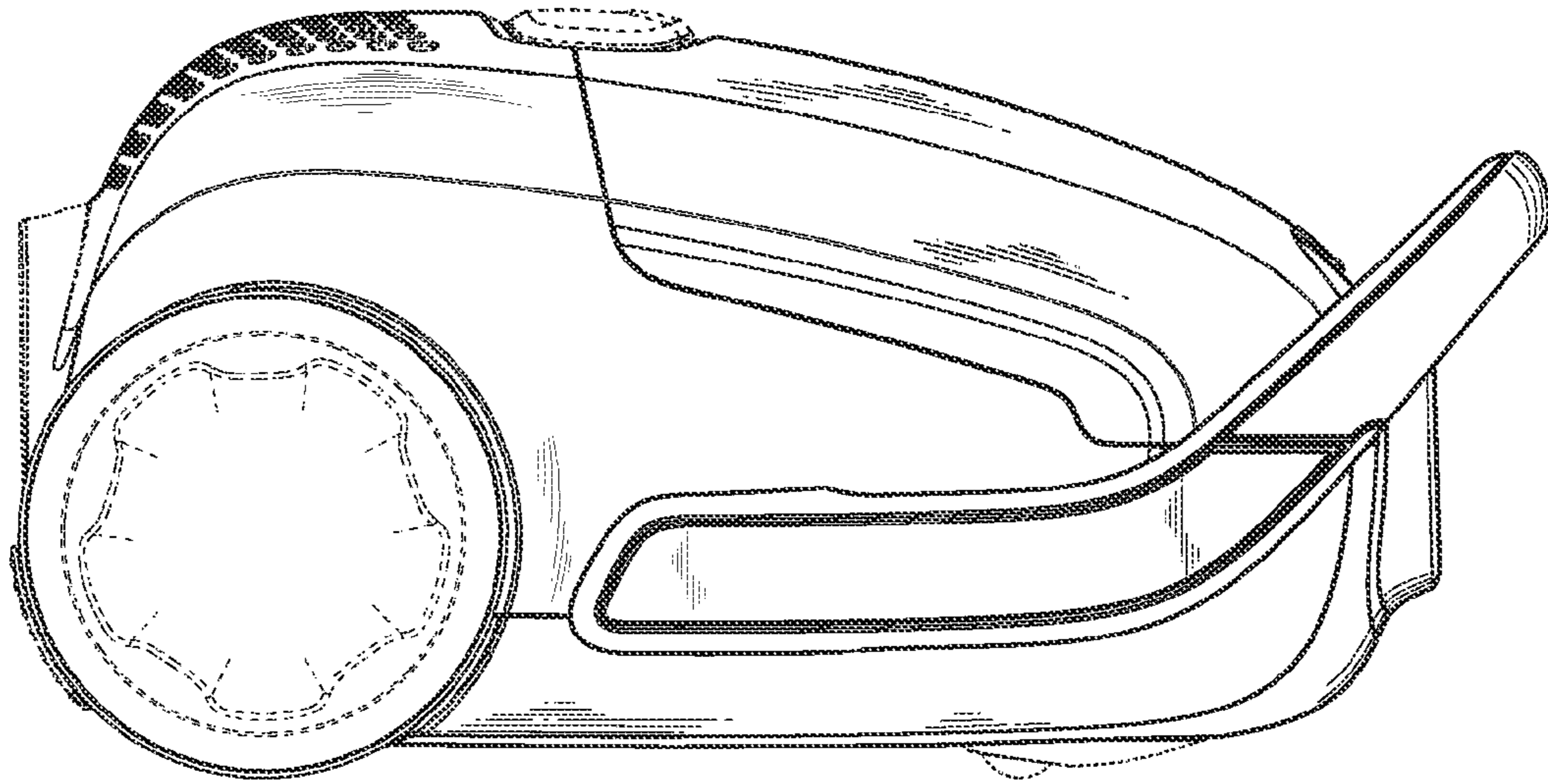
*Fig. 7*



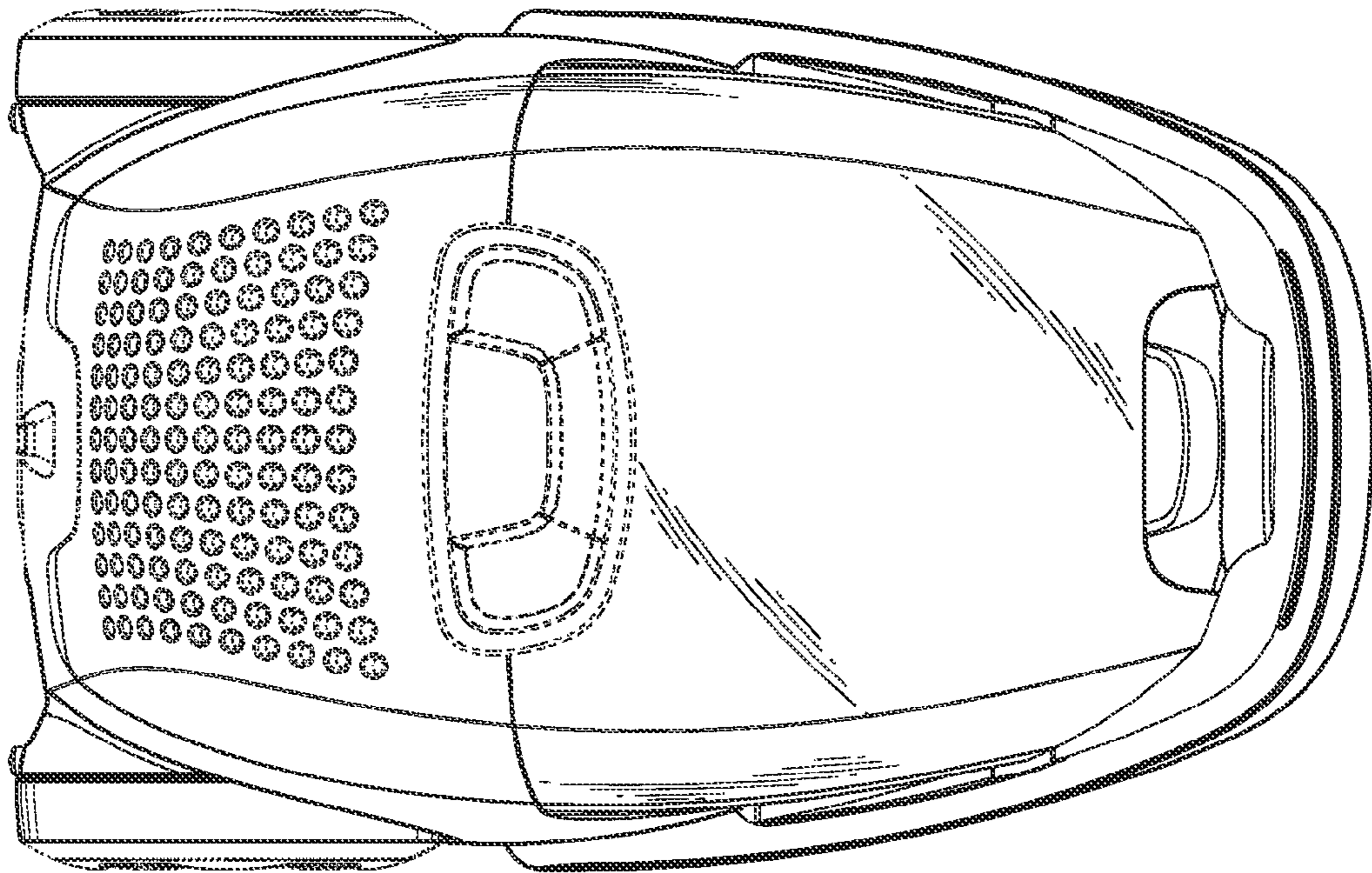
*Fig. 8*



*Fig. 9*

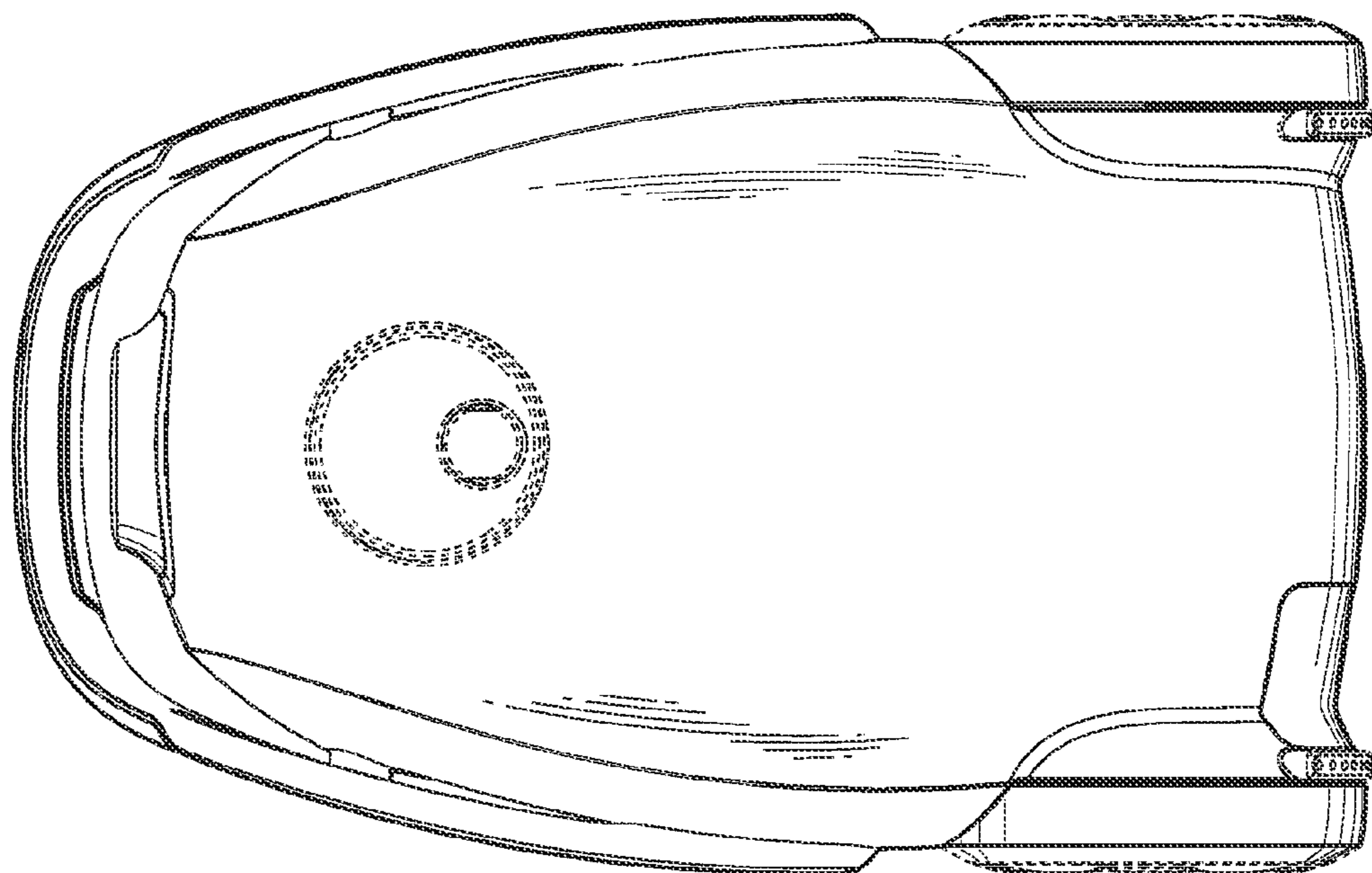


*Fig. 10*

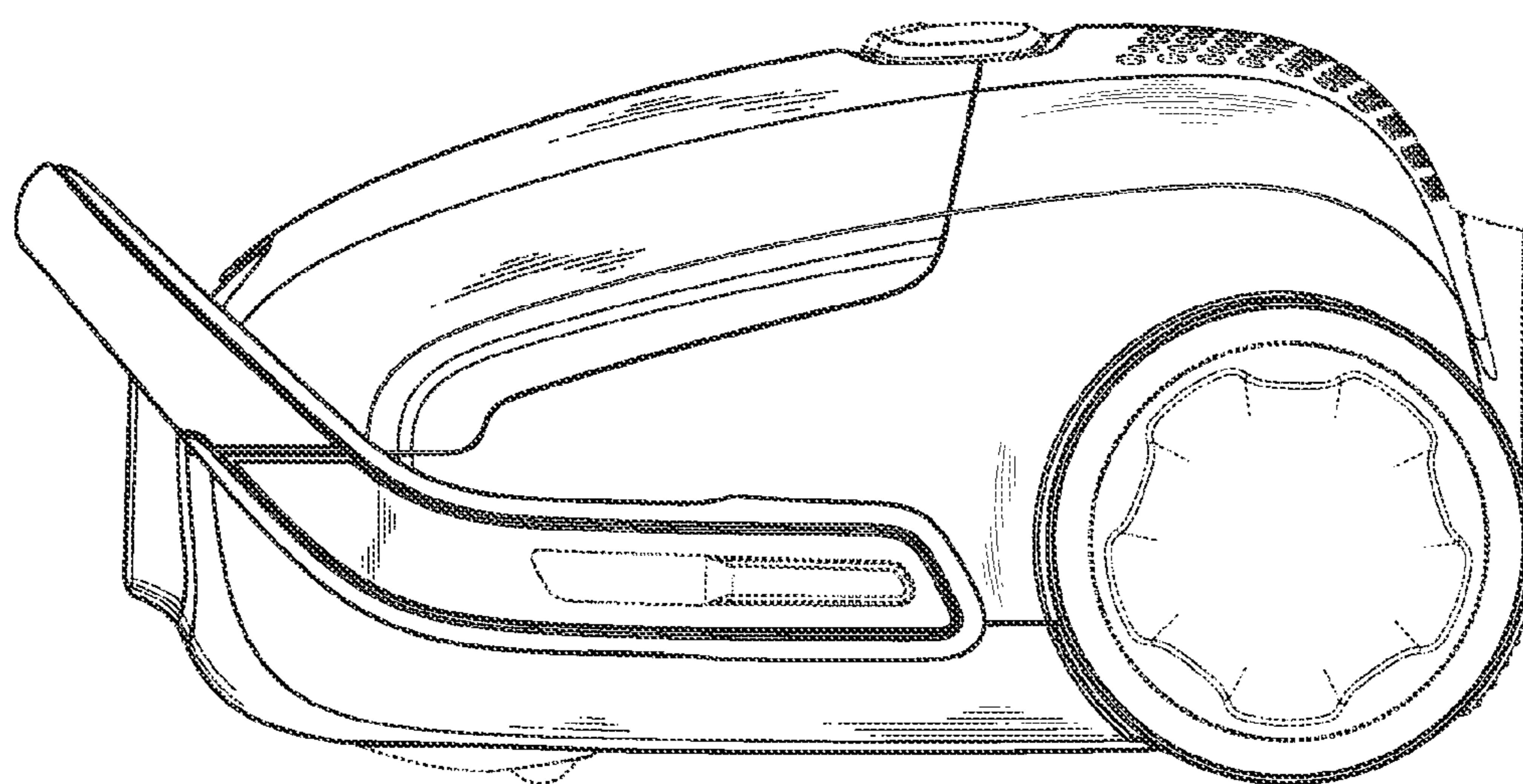


*Fig. 11*

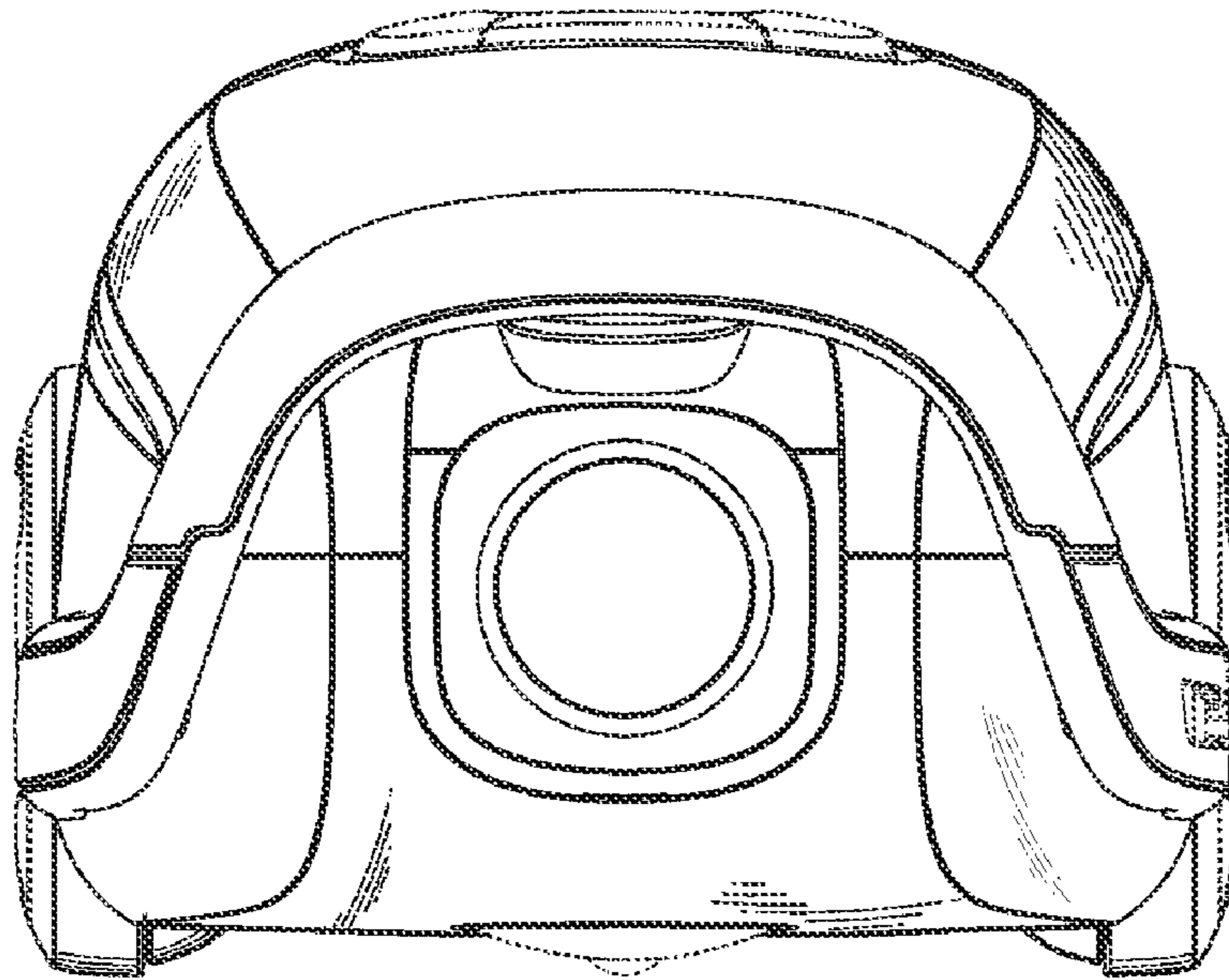




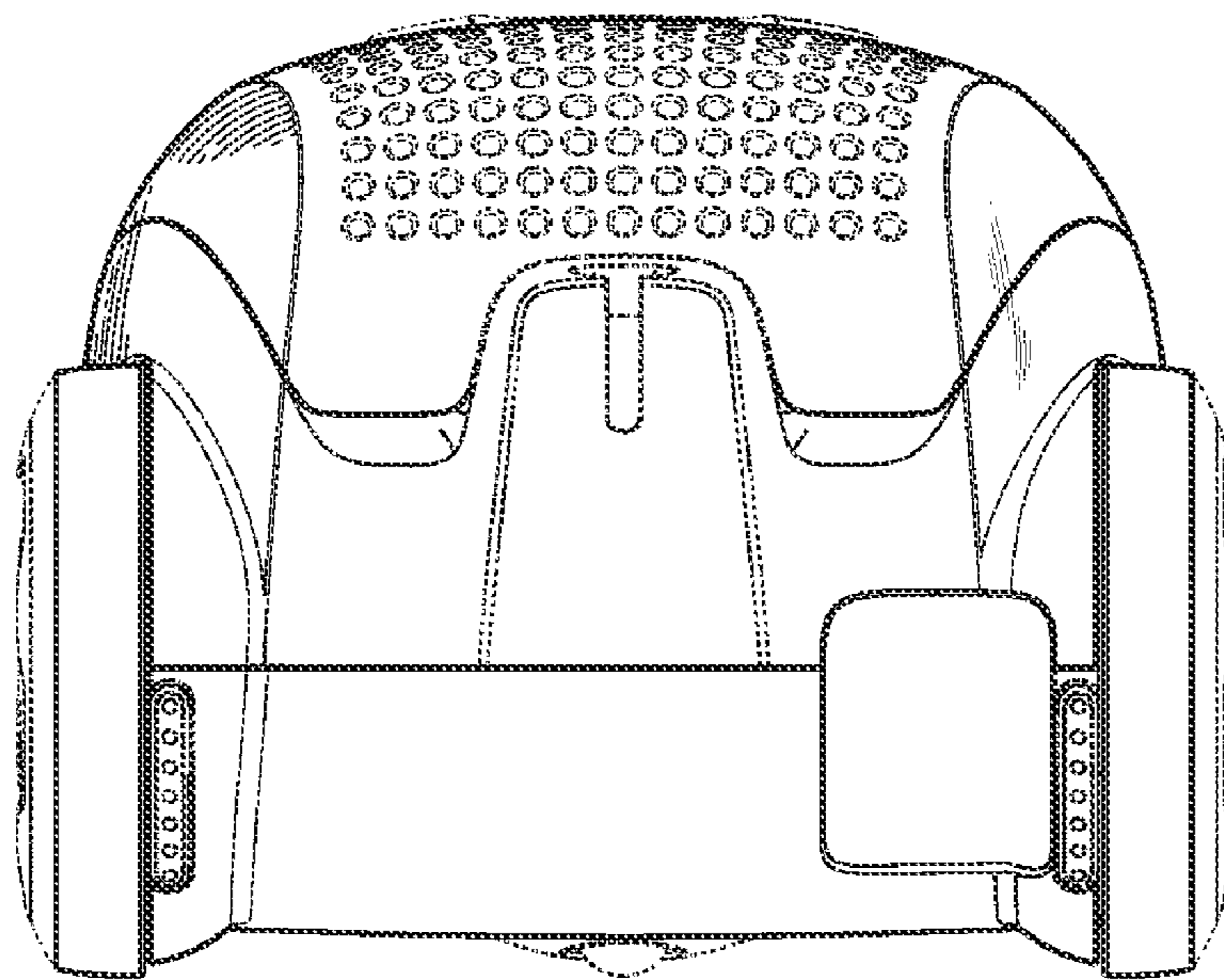
*Fig. 12*



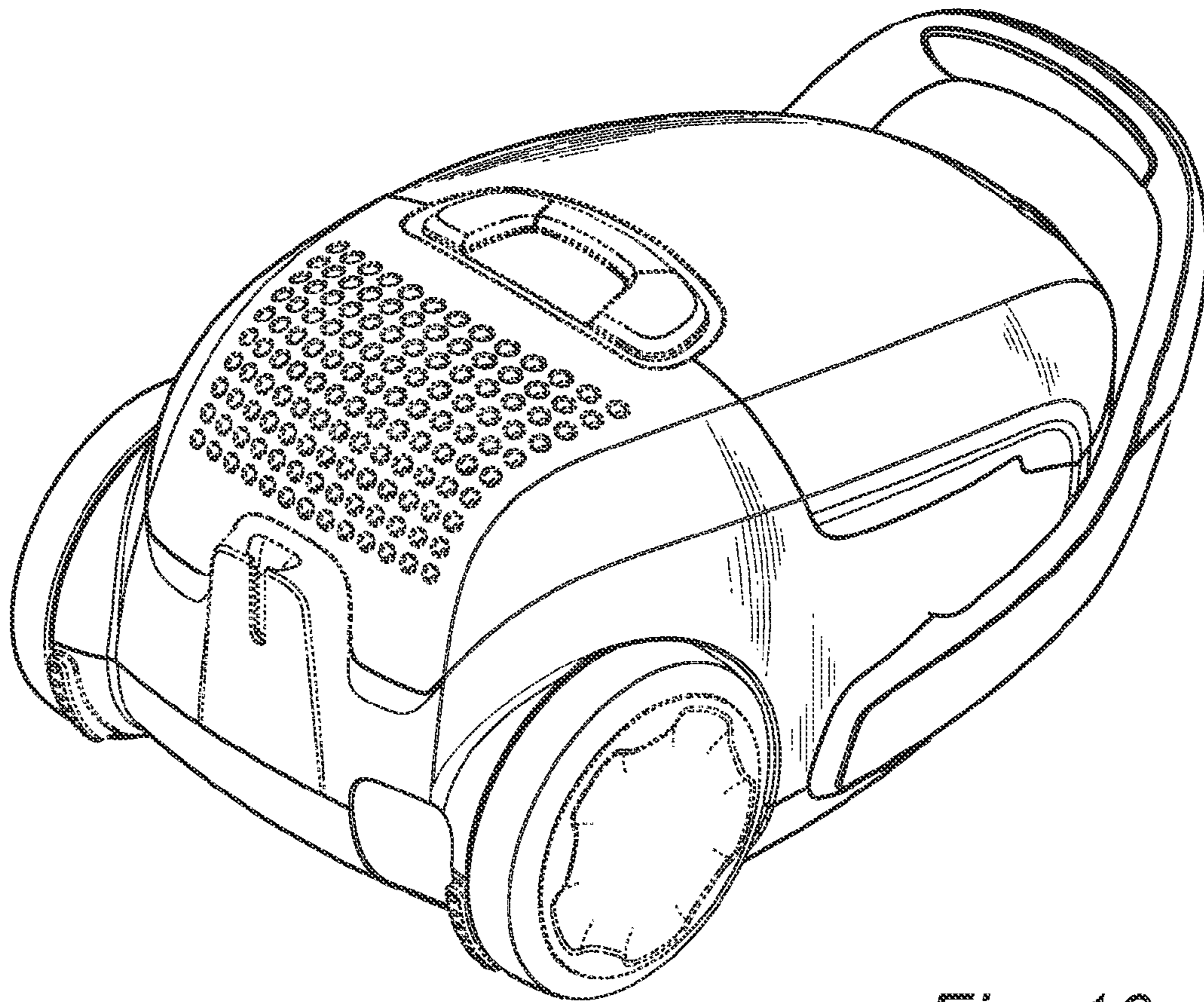
*Fig. 13*



*Fig. 14*



*Fig. 15*



*Fig. 16*