



US00D600411S

(12) **United States Design Patent**
O'Reilly

(10) **Patent No.:** **US D600,411 S**

(45) **Date of Patent:** **** Sep. 15, 2009**

(54) **HAND SCRUBBING PAD**

(57) **CLAIM**

(76) **Inventor:** **Barbara J. O'Reilly**, 134 Hitching Post Rd., Bozeman, MT (US) 59715-8027

The ornamental design for a hand scrubbing pad, as shown and described.

(**) **Term:** **14 Years**

DESCRIPTION

(21) **Appl. No.:** **29/305,412**

FIG. 1 is a front elevation view of a hand scrubbing pad according to the present invention;

(22) **Filed:** **Mar. 20, 2008**

FIG. 2 is a rear view thereof;

(51) **LOC (9) Cl.** **28-03**

FIG. 3 is a left side view thereof;

(52) **U.S. Cl.** **D28/63; D32/43**

FIG. 4 is a right side view thereof;

(58) **Field of Classification Search** **D32/40-45;**
D2/616-619; D29/113, 117.2, 123; 2/161.6;
D28/63, 7, 8, 8.1, 8.2; D4/124
See application file for complete search history.

FIG. 5 is a top plan view thereof;

FIG. 6 is a bottom plan view thereof;

FIG. 7 is a front view of a second embodiment of a hand scrubbing pad;

(56) **References Cited**

FIG. 8 is a rear view thereof;

U.S. PATENT DOCUMENTS

FIG. 9 is a left side view thereof;

D378,445 S *	3/1997	DePinto	D28/63
6,675,392 B2 *	1/2004	Albert	2/161.1
D502,579 S *	3/2005	Honermann	D32/40
D510,164 S *	9/2005	Melton	D32/43
D536,509 S *	2/2007	Lietz	D2/617

FIG. 10 is a right side view thereof;

FIG. 11 is a top plan view thereof; and,

FIG. 12 is a bottom plan view thereof.

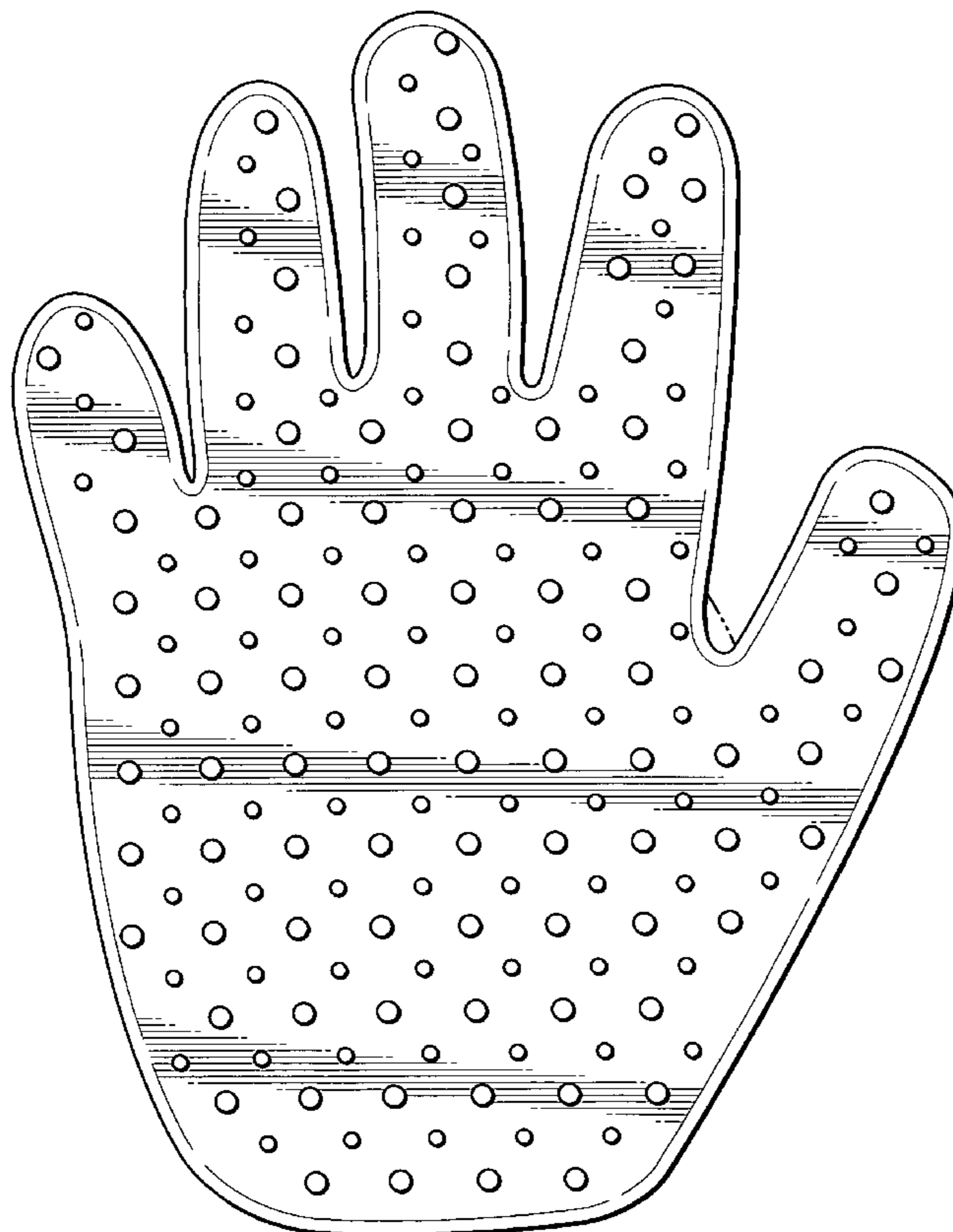
* cited by examiner

The broken line showing of a suction cup in FIGS. 1-9 is included for the purpose of illustrating and forms no part of the claimed design.

Primary Examiner—Robin V Webster

(74) *Attorney, Agent, or Firm*—John R. Benefiel

1 Claim, 8 Drawing Sheets



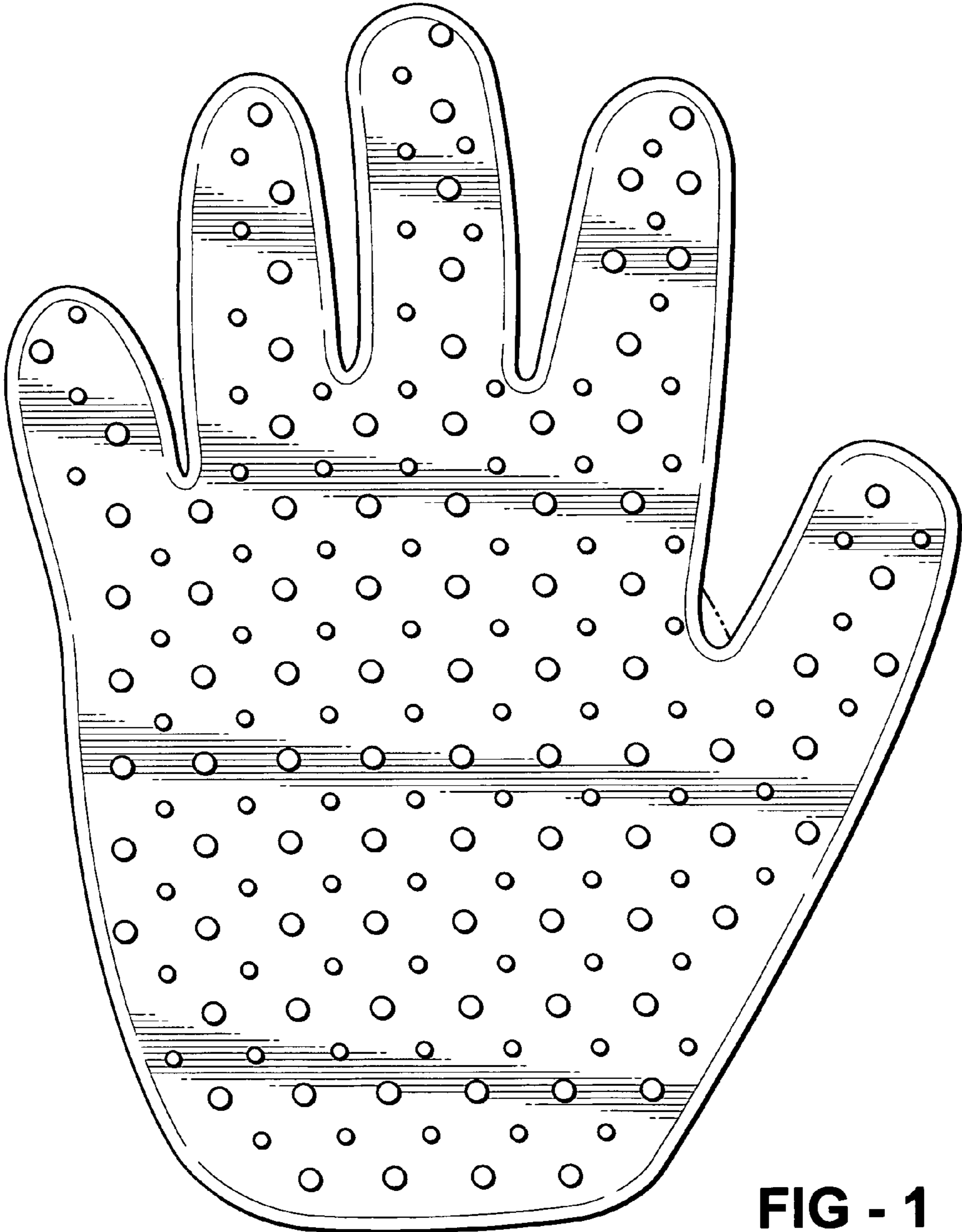


FIG - 1

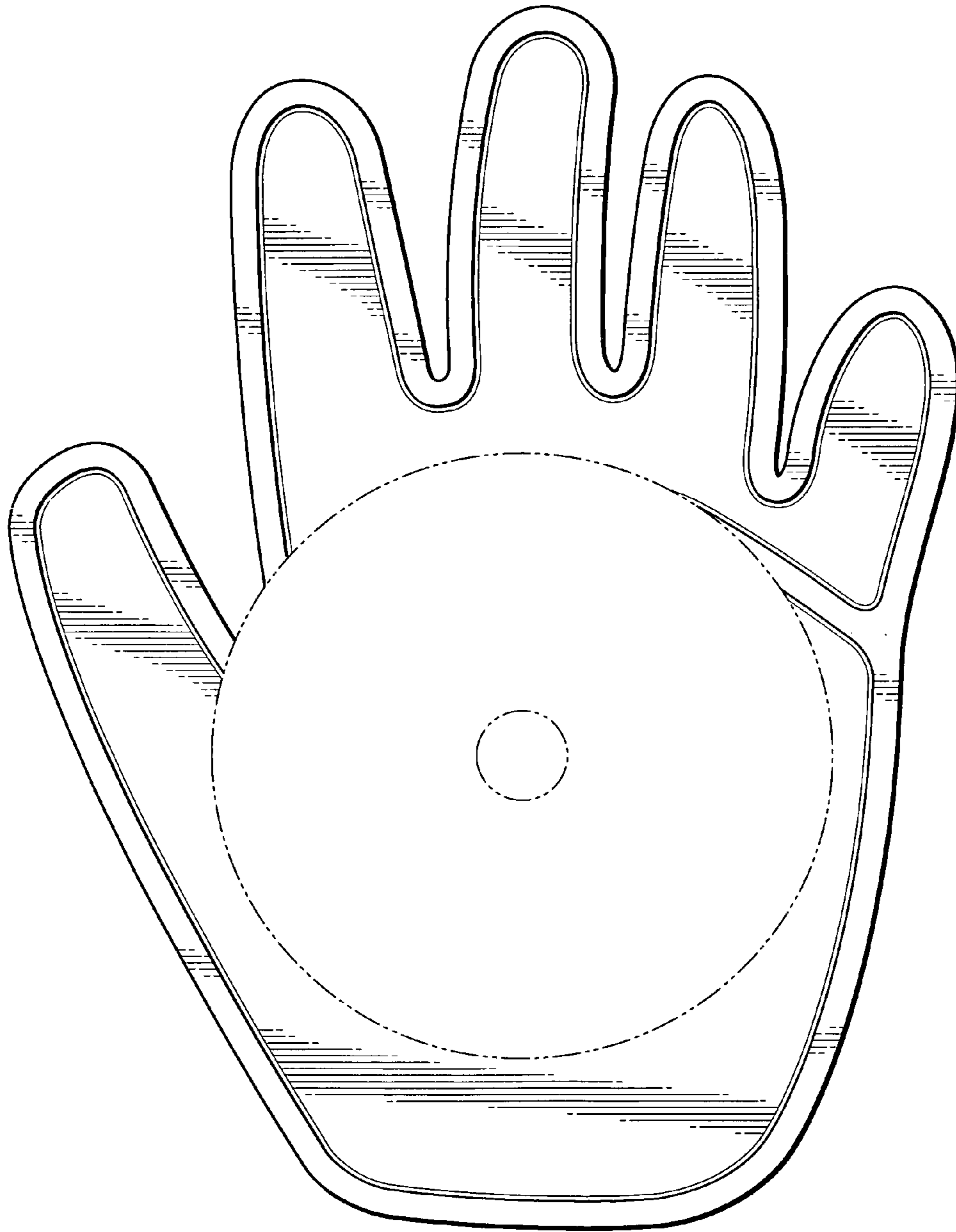


FIG - 2

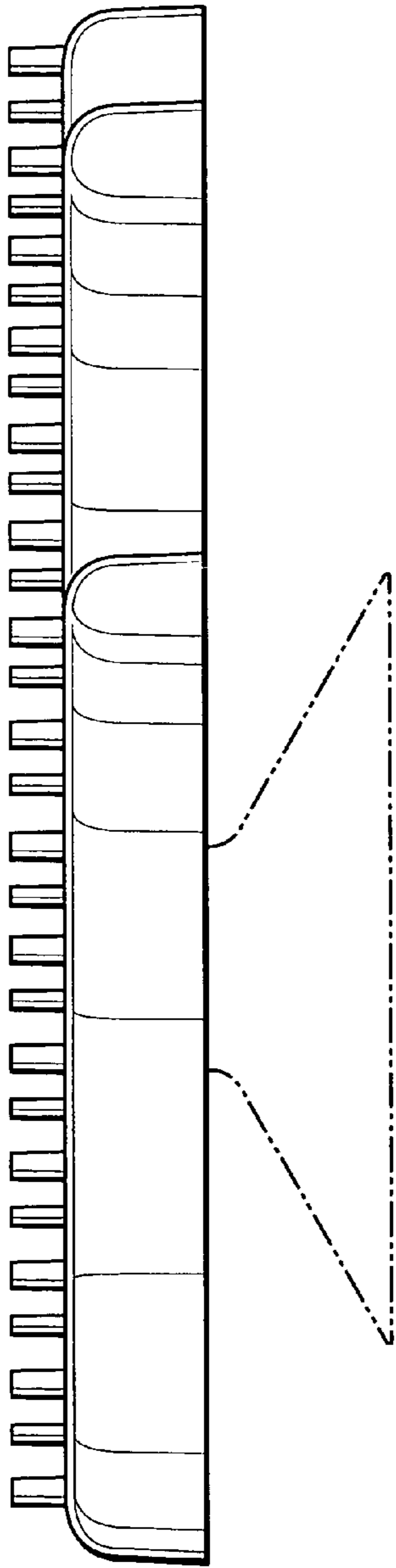


FIG - 3

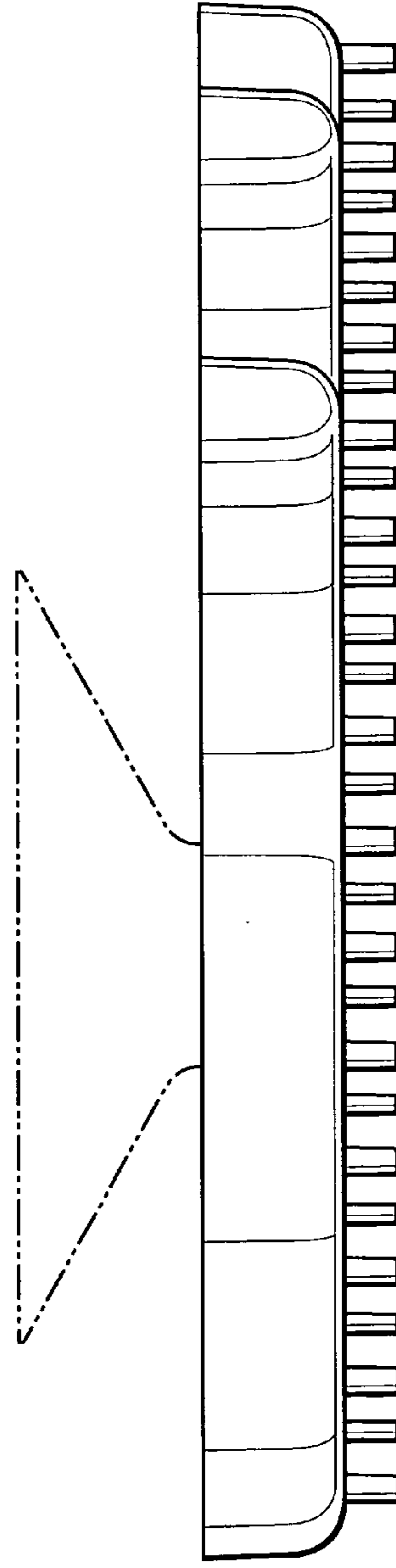


FIG - 4

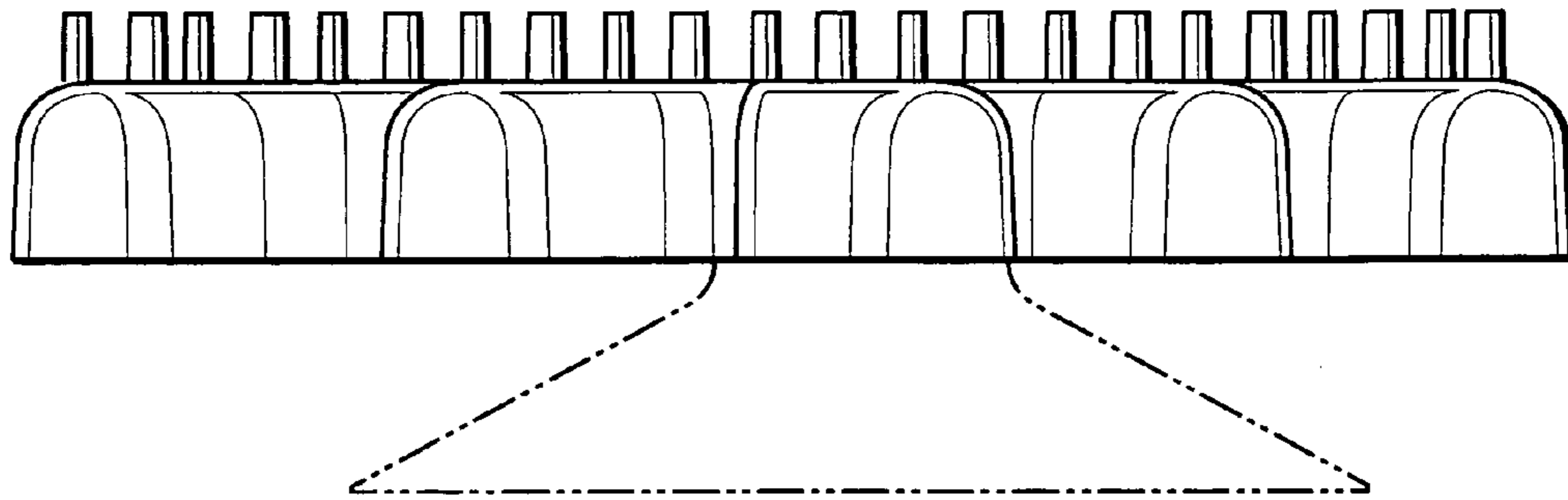


FIG - 5

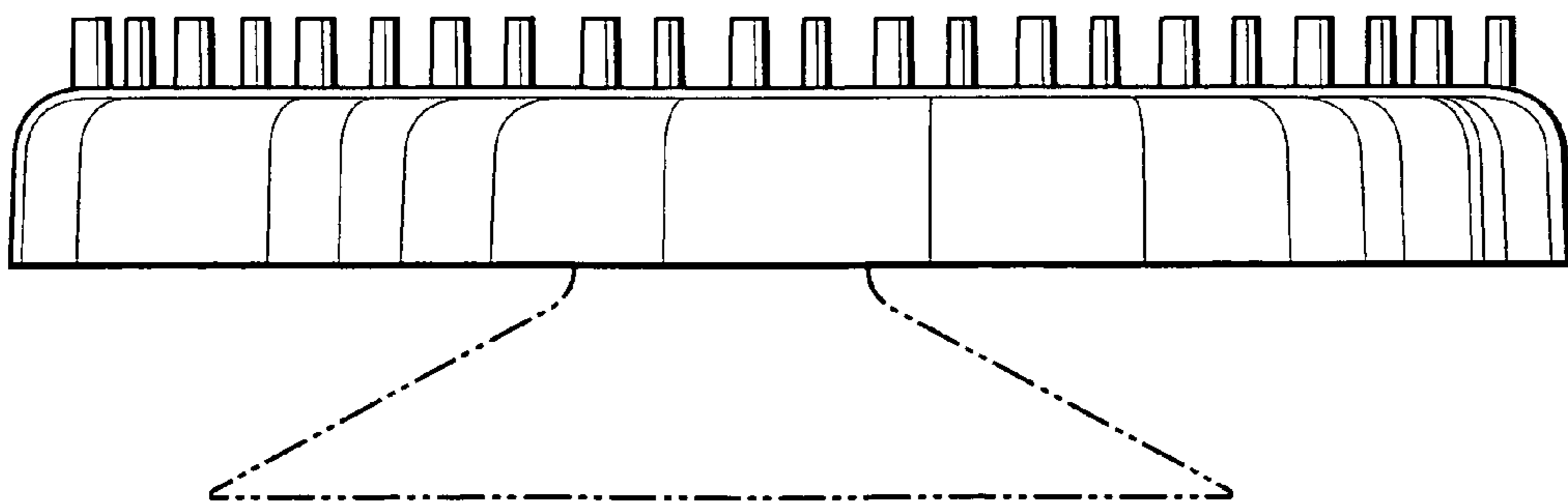


FIG - 6

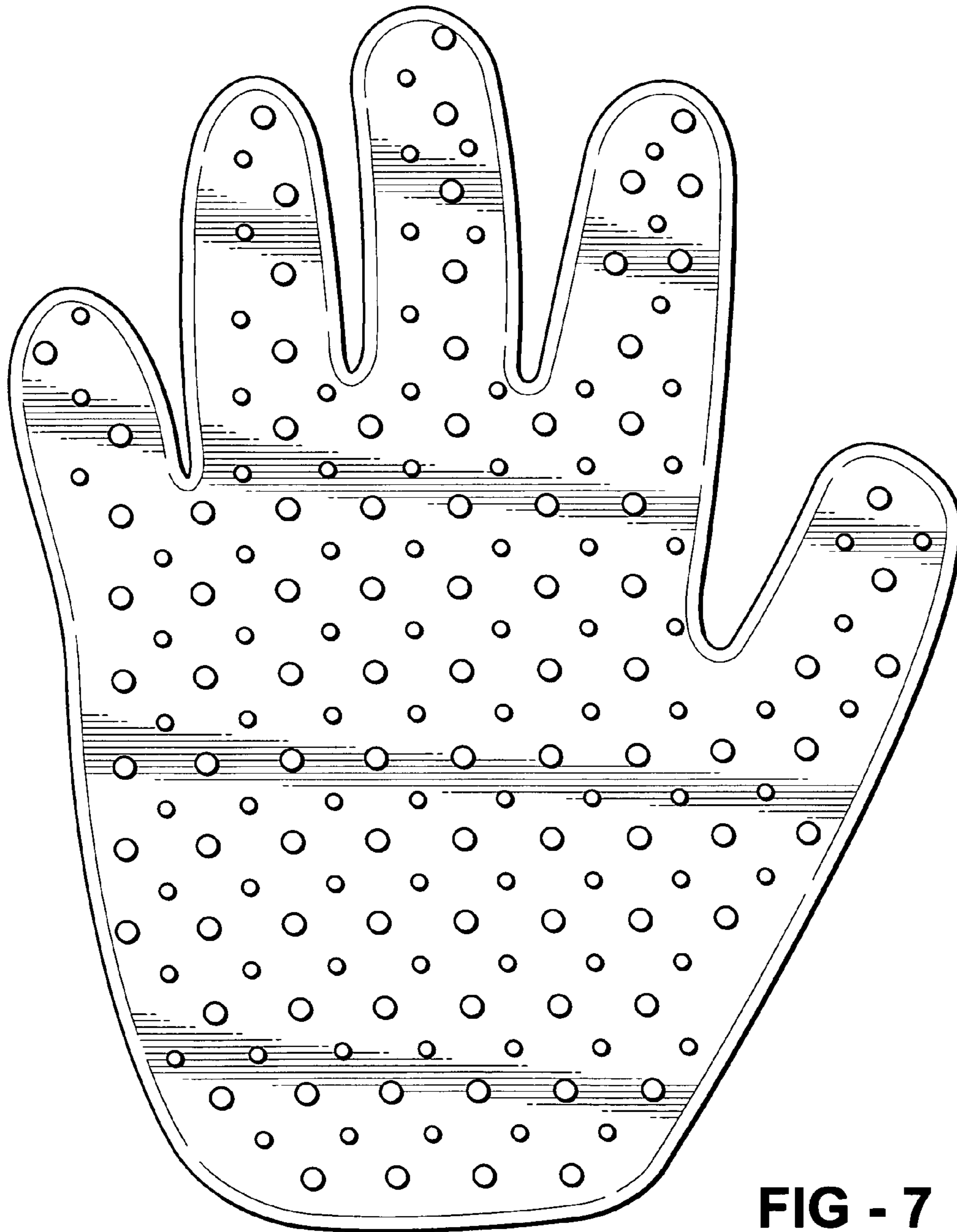


FIG - 7

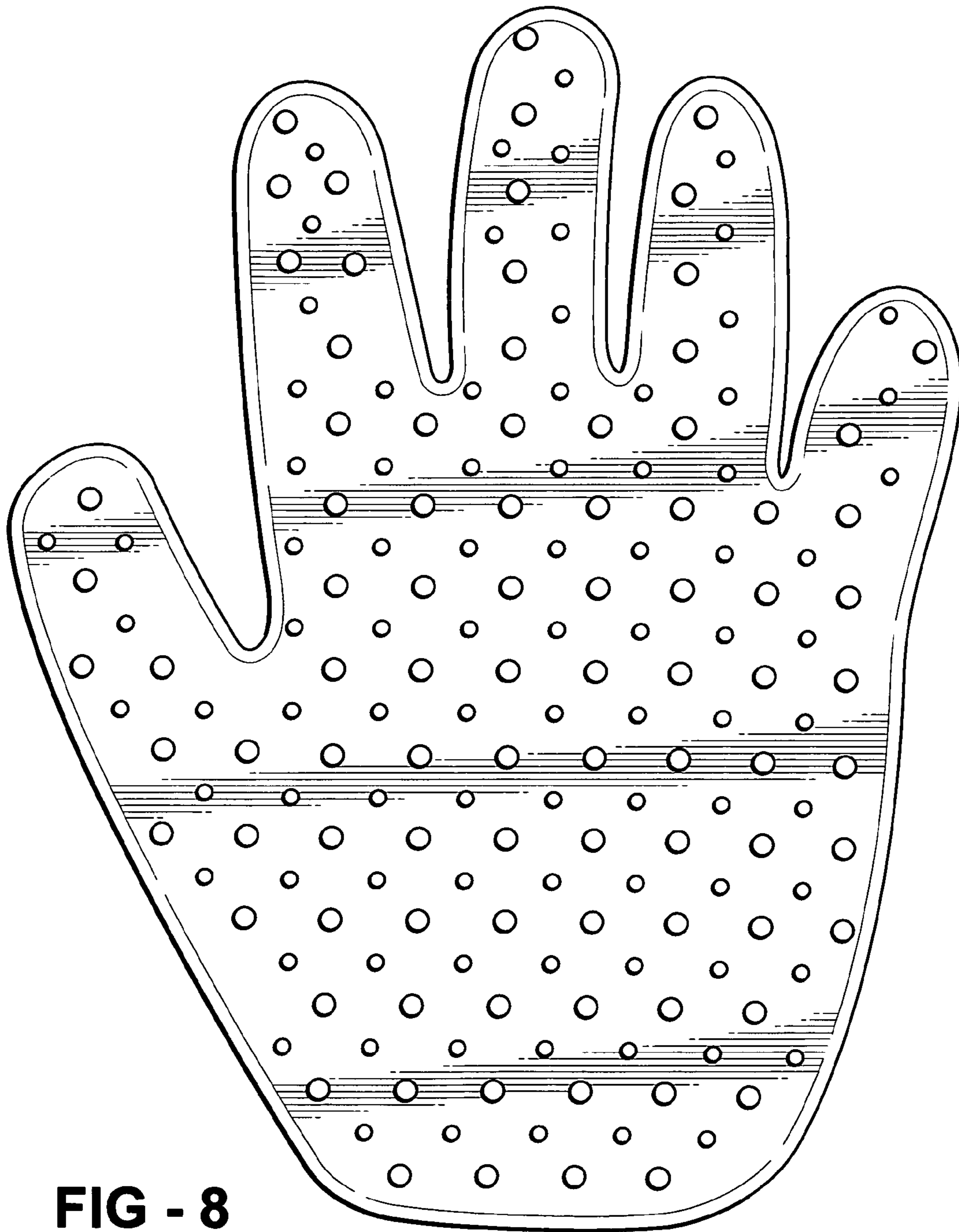


FIG - 8

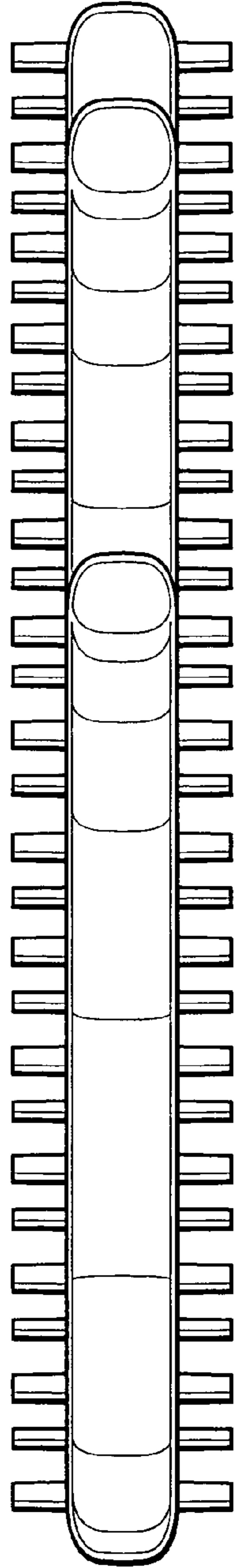


FIG - 9

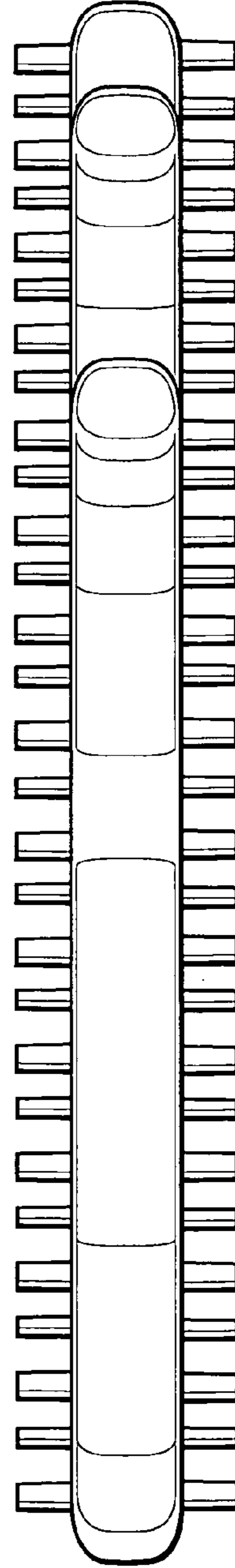


FIG - 10

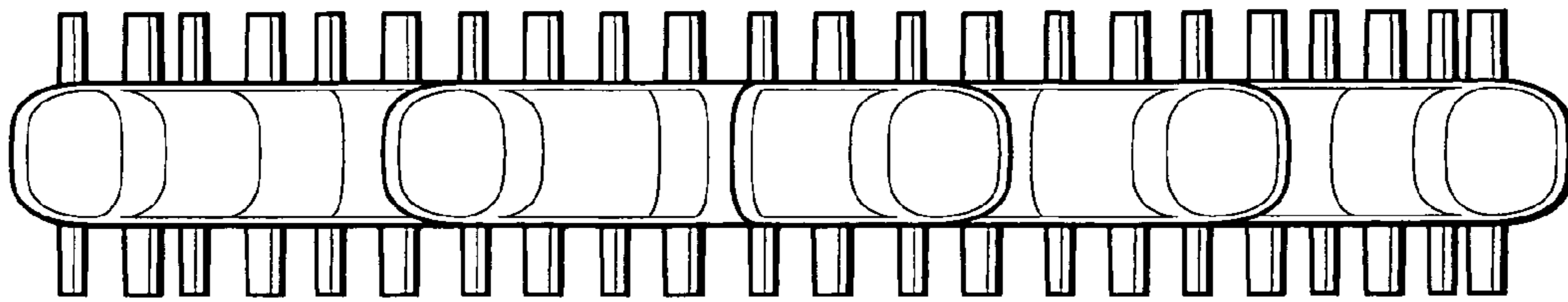


FIG - 11

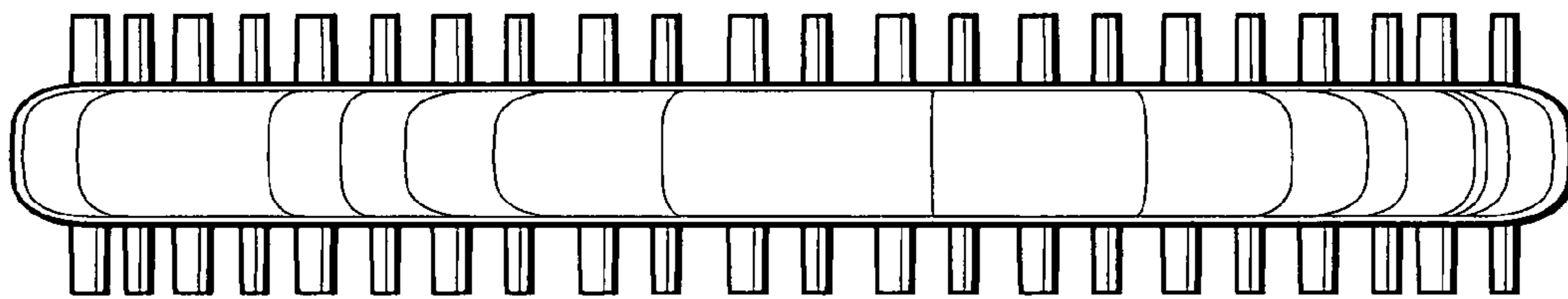


FIG - 12