



US00D600407S

(12) **United States Design Patent**
Padain et al.

(10) **Patent No.:** **US D600,407 S**

(45) **Date of Patent:** **** Sep. 15, 2009**

(54) **DEPILATORY DEVICE**

(75) Inventors: **Chris Padain**, Montvale, NJ (US);
Julian Sellers, Birmingham (GB)

(73) Assignee: **Reckitt Benckiser (UK) Limited**,
Slough, Berkshire (GB)

(**) Term: **14 Years**

(21) Appl. No.: **29/308,632**

(22) Filed: **Jun. 26, 2008**

(30) **Foreign Application Priority Data**

Jan. 22, 2008 (EP) 000862693-0001

(51) **LOC (9) Cl.** **28-03**

(52) **U.S. Cl.** **D28/44.1; D28/57**

(58) **Field of Classification Search** D28/44-44.1,
D28/45, 56-62; D24/147; 132/73-76.5;
606/131

See application file for complete search history.

(56) **References Cited**

U.S. PATENT DOCUMENTS

2,437,834 A * 3/1948 Peritz 132/75.3
2,513,208 A * 6/1950 Rogers 132/73
2,764,989 A * 10/1956 Simons 132/75.3
D210,504 S * 3/1968 Adams D28/59

4,765,350 A * 8/1988 Moore 132/73
D308,735 S * 6/1990 Cane et al. D28/57
D334,248 S * 3/1993 Odabach D28/57
D378,444 S * 3/1997 Atkinson D28/59
D394,128 S * 5/1998 Atkinson D28/57
D436,230 S * 1/2001 Baltierra D28/57
D571,041 S * 6/2008 Schaeffer D28/59
D577,461 S * 9/2008 Wittke-Kothe D28/57
D588,748 S * 3/2009 Wittke-Kothe D28/57

* cited by examiner

Primary Examiner—Jennifer Rivard

(74) *Attorney, Agent, or Firm*—TraskBritt

(57) **CLAIM**

The ornamental design for a depilatory device, as shown and described.

DESCRIPTION

FIG. 1 is a perspective view showing a new design;

FIG. 2 is a back view of the new design;

FIG. 3 is a front view of the new design;

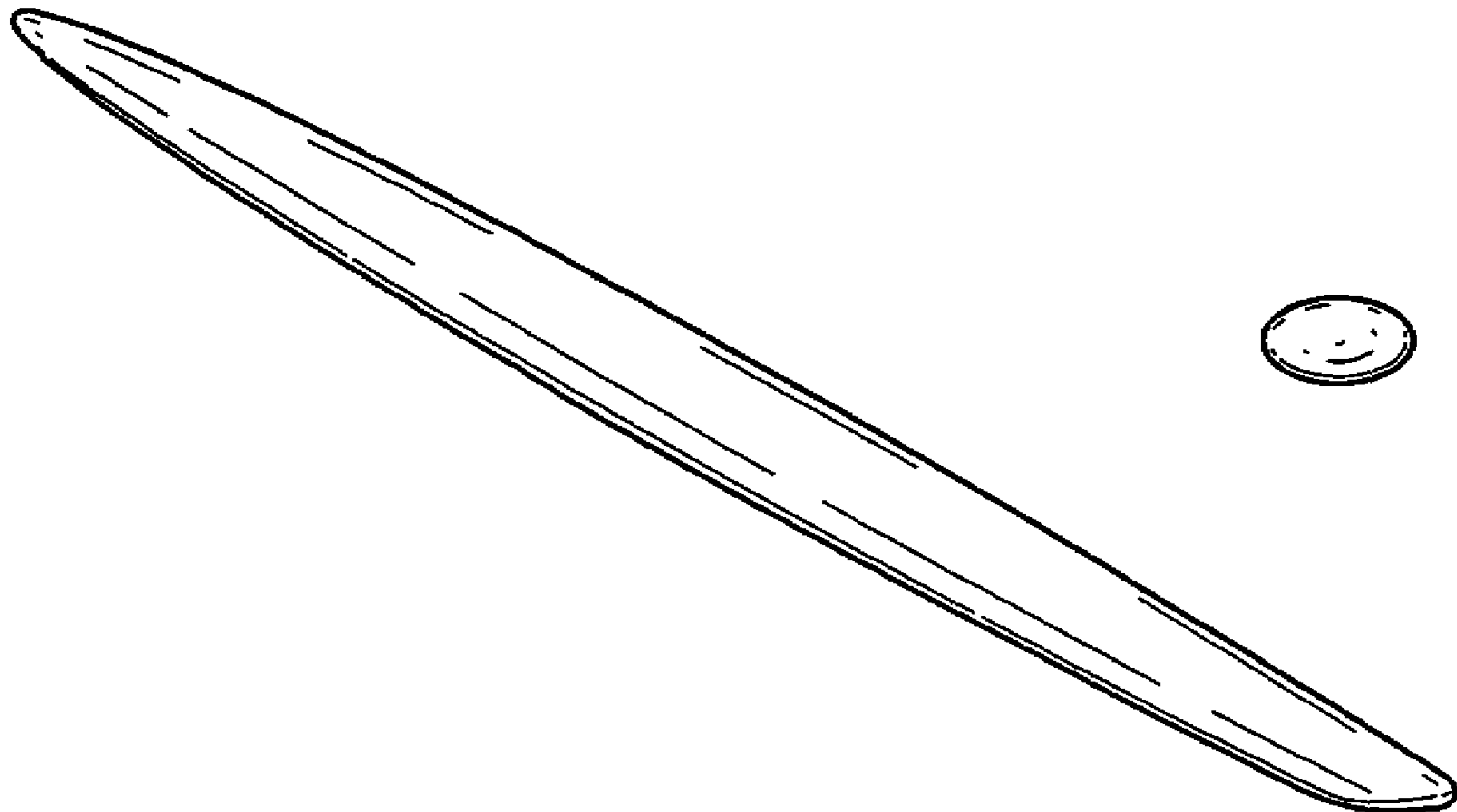
FIG. 4 is a first side view of the new design;

FIG. 5 is a second side view of the new design;

FIG. 6 is a top view of the new design; and,

FIG. 7 is a bottom view of the new design.

1 Claim, 1 Drawing Sheet



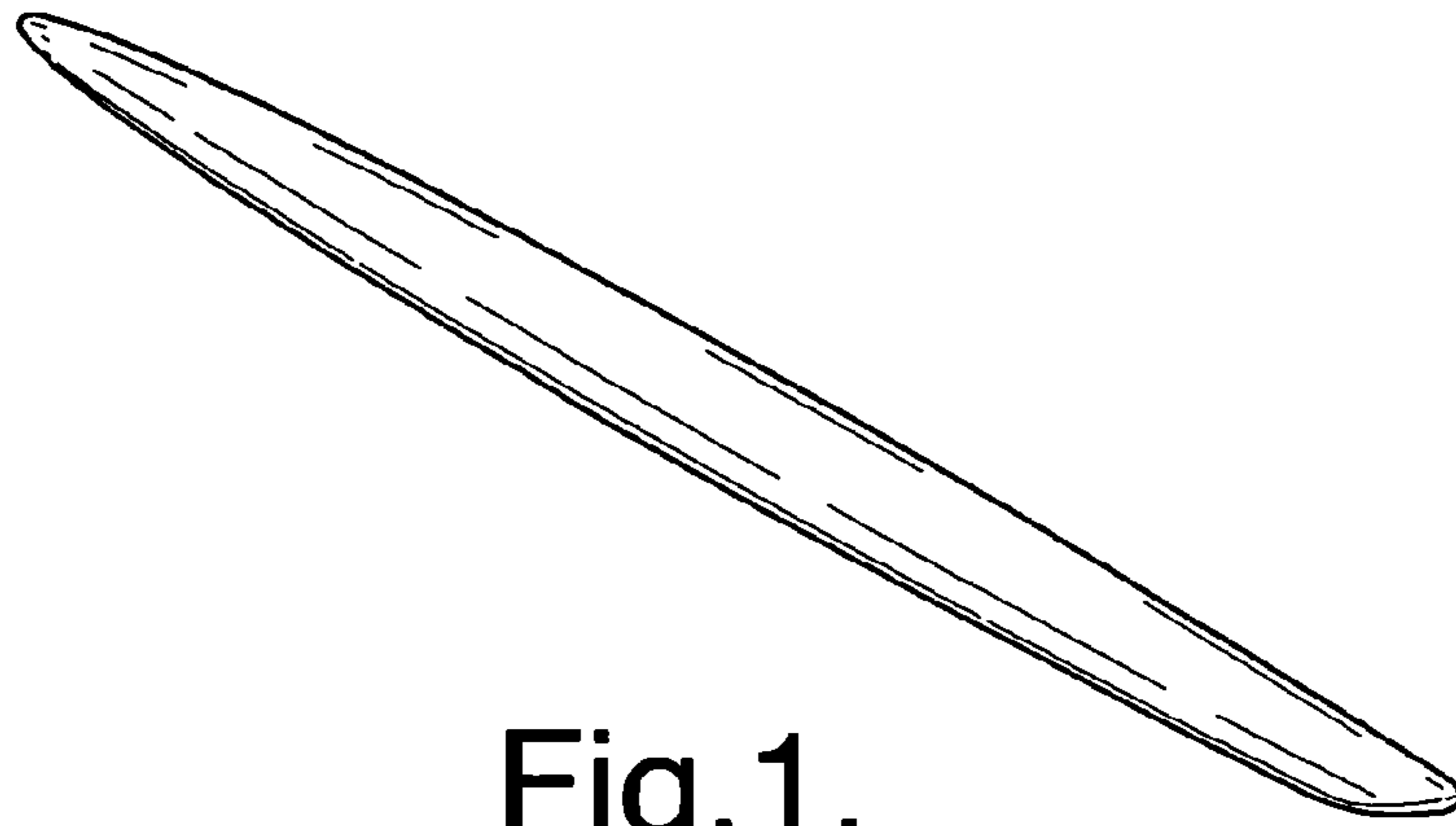


Fig. 1.



Fig. 2.



Fig. 3.

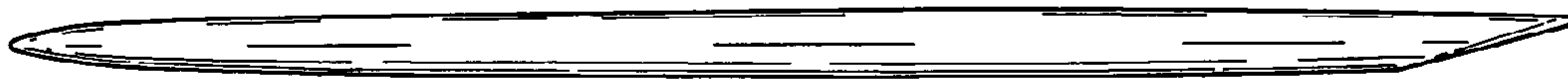


Fig. 4.

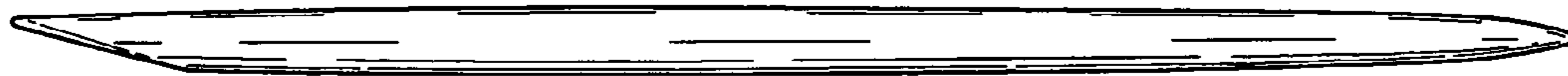


Fig. 5.

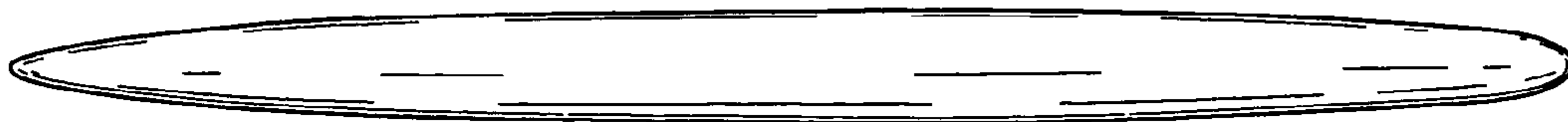


Fig. 6.

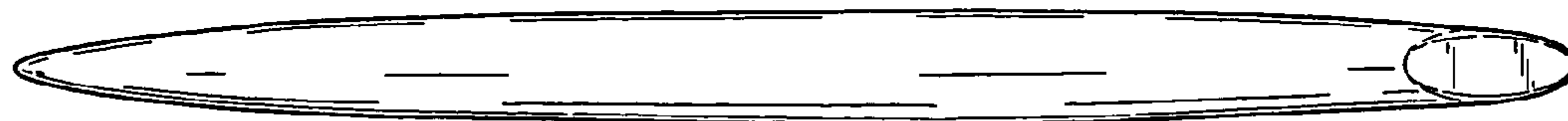


Fig. 7.