



US00D600406S

(12) **United States Design Patent**
Leung

(10) **Patent No.:** **US D600,406 S**

(45) **Date of Patent:** **** Sep. 15, 2009**

(54) **HAIR DRYER**

(75) Inventor: **Anthony Kit Lun Leung**, North Point
(CN)

(73) Assignee: **Conair Corporation**, Stamford, CT
(US)

(**) Term: **14 Years**

(21) Appl. No.: **29/328,265**

(22) Filed: **Nov. 21, 2008**

(51) **LOC (9) Cl.** **28-03**

(52) **U.S. Cl.** **D28/13**

(58) **Field of Classification Search** D28/12-19;
34/96-100; 392/380-385; 219/222
See application file for complete search history.

(56) **References Cited**

U.S. PATENT DOCUMENTS

D398,418 S *	9/1998	Garrett et al.	D28/13
D398,717 S *	9/1998	Kling et al.	D28/13
D432,716 S *	10/2000	Goetschi	D28/13
D455,858 S *	4/2002	Micinilio et al.	D28/13
D473,341 S *	4/2003	Bokelman-Dumas	D28/13
D494,318 S *	8/2004	Nishizawa et al.	D28/13
D541,982 S *	5/2007	Choi	D28/13
D559,443 S *	1/2008	Smith et al.	D28/13

D578,706 S *	10/2008	Leung	D28/13
D579,151 S *	10/2008	Leung	D28/13
D580,594 S *	11/2008	Leung	D28/13
D593,709 S *	6/2009	Yu	D28/13

* cited by examiner

Primary Examiner—Janice E Seeger

Assistant Examiner—Zenia I Bennett

(74) *Attorney, Agent, or Firm*—Lawrence Cruz

(57) **CLAIM**

The ornamental design for a hair dryer, as shown and described.

DESCRIPTION

FIG. 1 is a perspective view of a hair dryer showing a new design;

FIG. 2 is a front elevational view thereof;

FIG. 3 is a right side elevational view thereof;

FIG. 4 is a rear elevational view thereof;

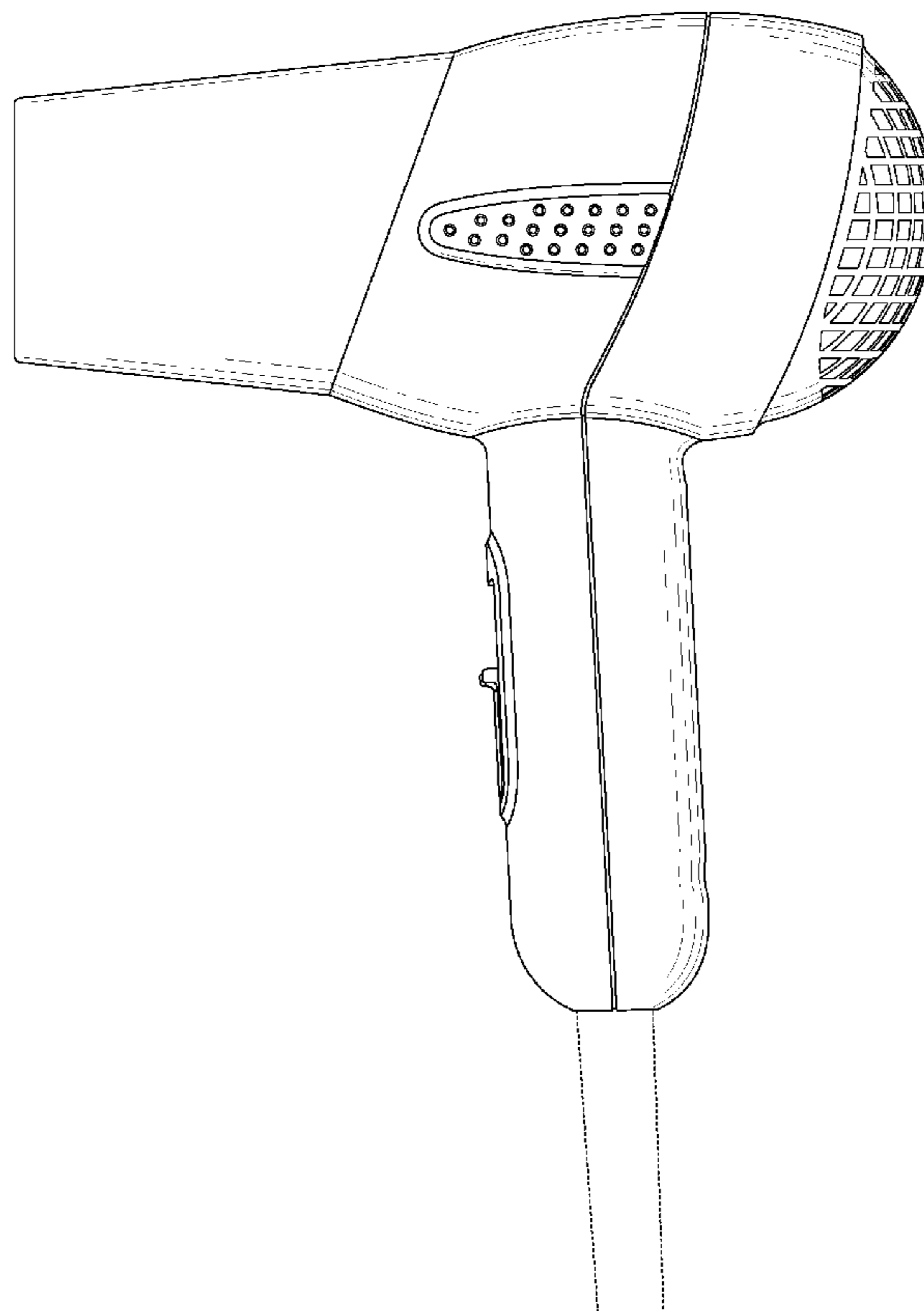
FIG. 5 is a left side elevational view thereof;

FIG. 6 is a top plan view thereof; and,

FIG. 7 is a bottom plan view thereof.

The broken lines are for illustrative purposes only and form no part of the claimed design.

1 Claim, 7 Drawing Sheets



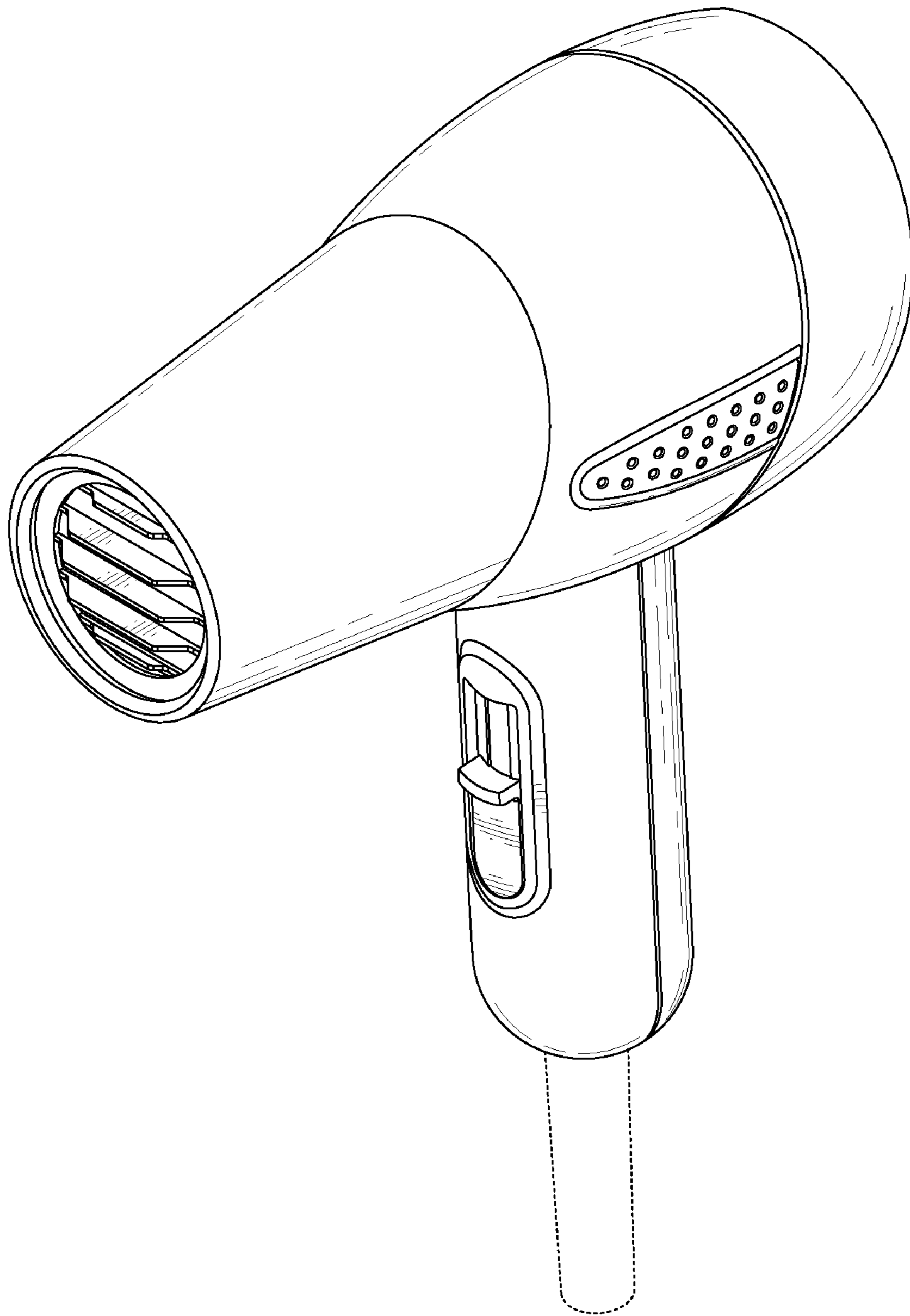


FIG. 1

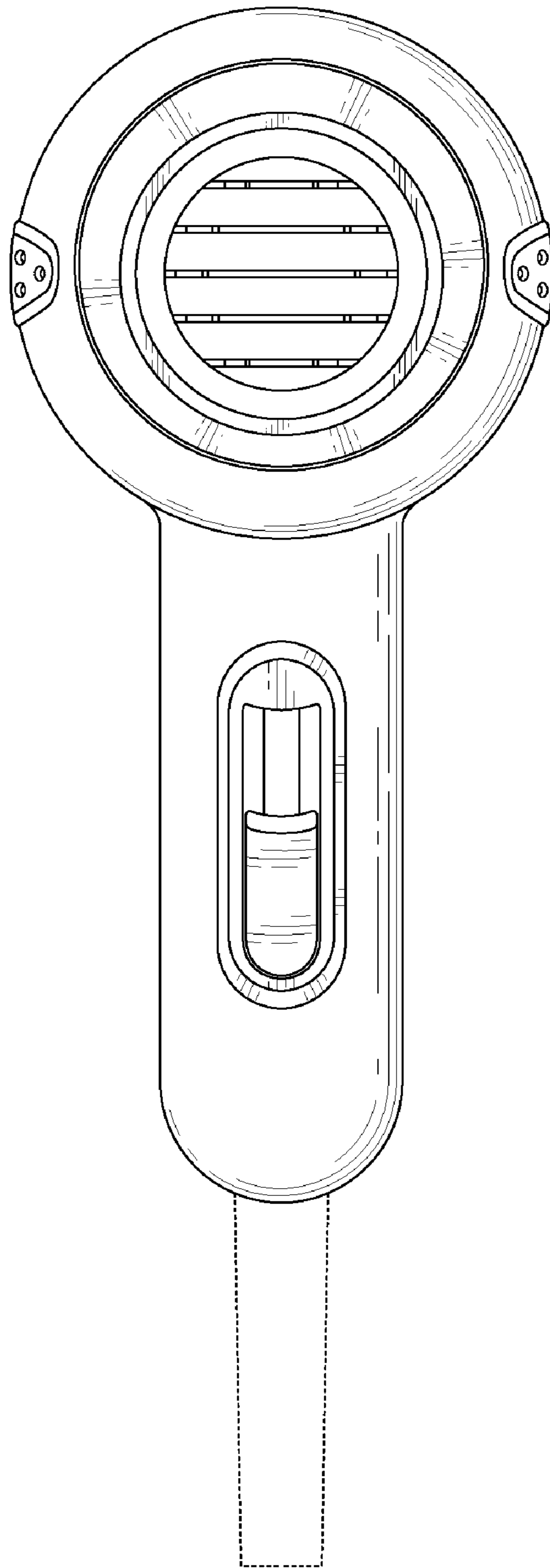


FIG. 2

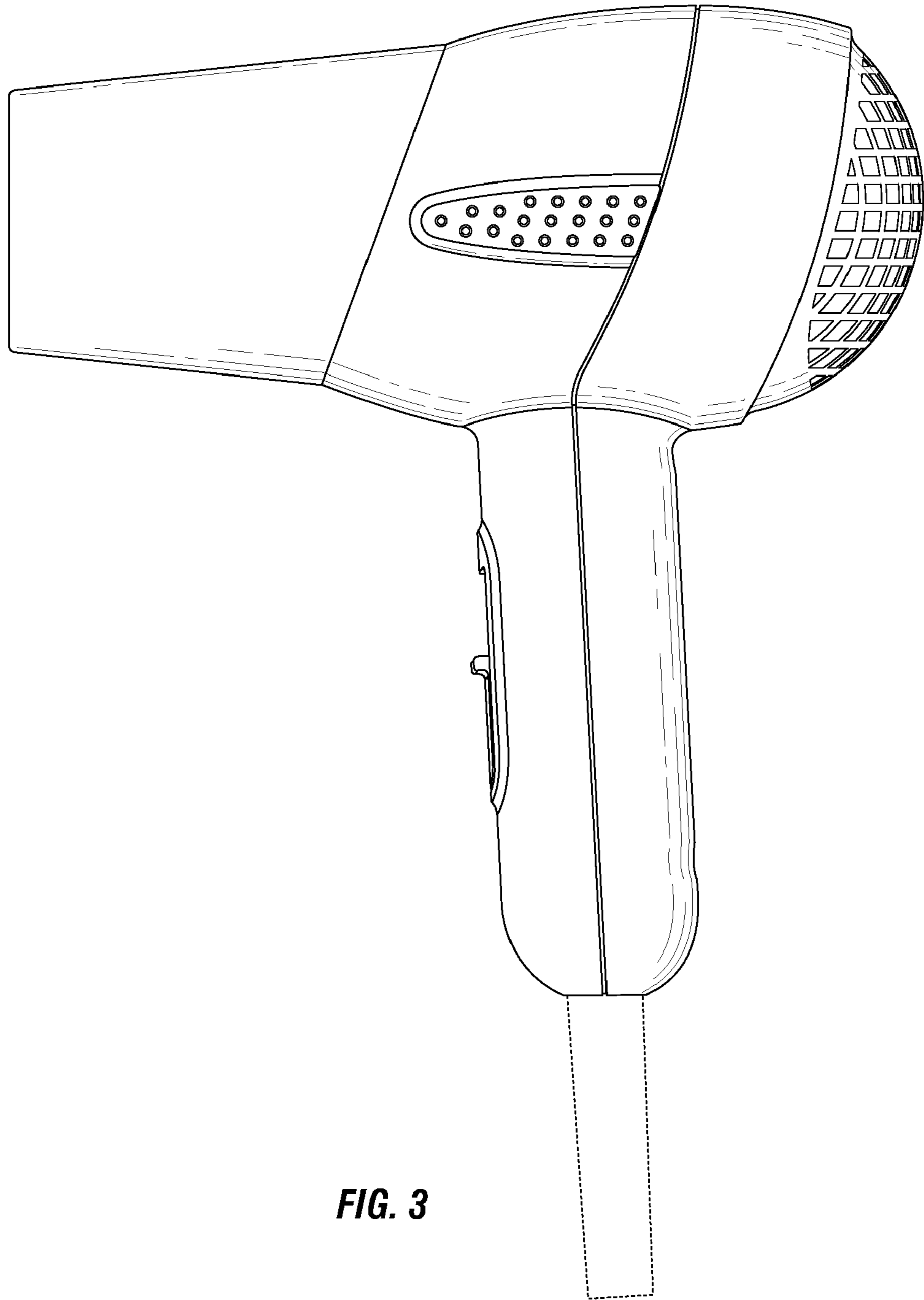


FIG. 3

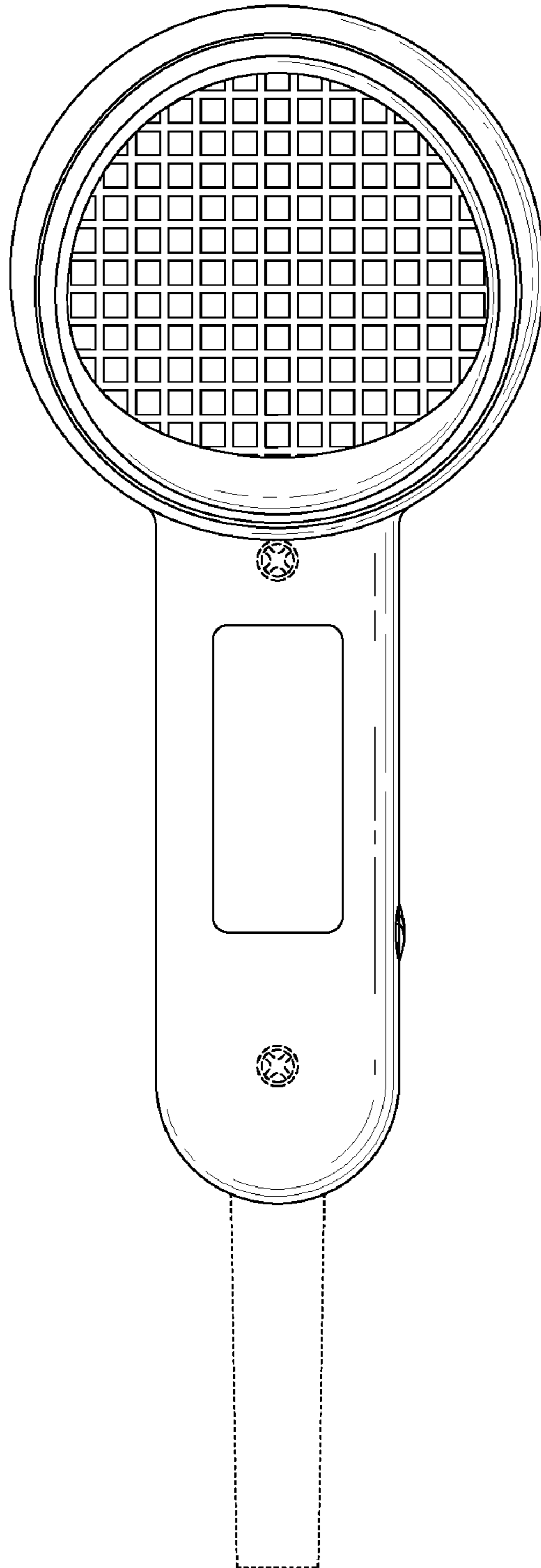


FIG. 4

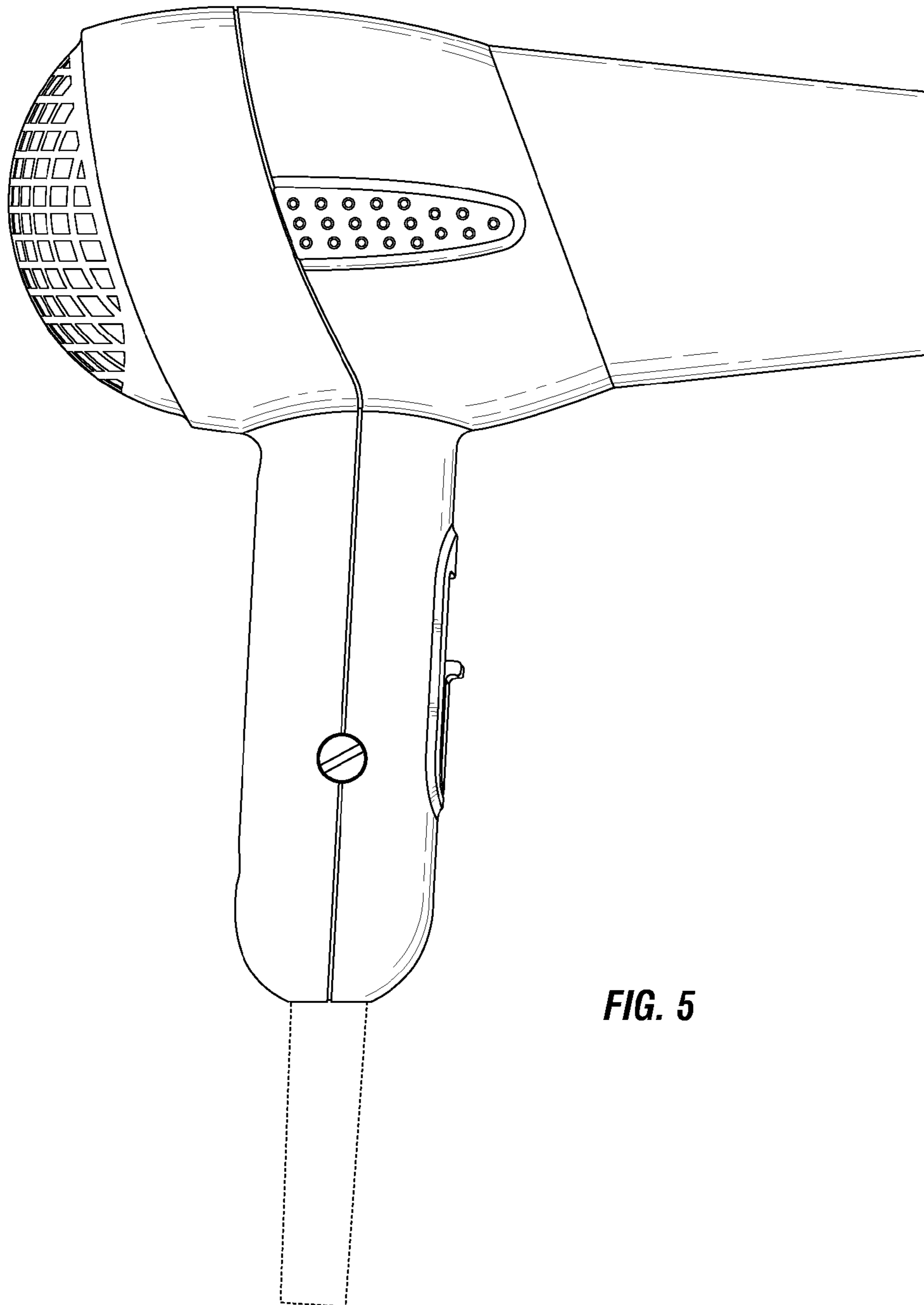


FIG. 5

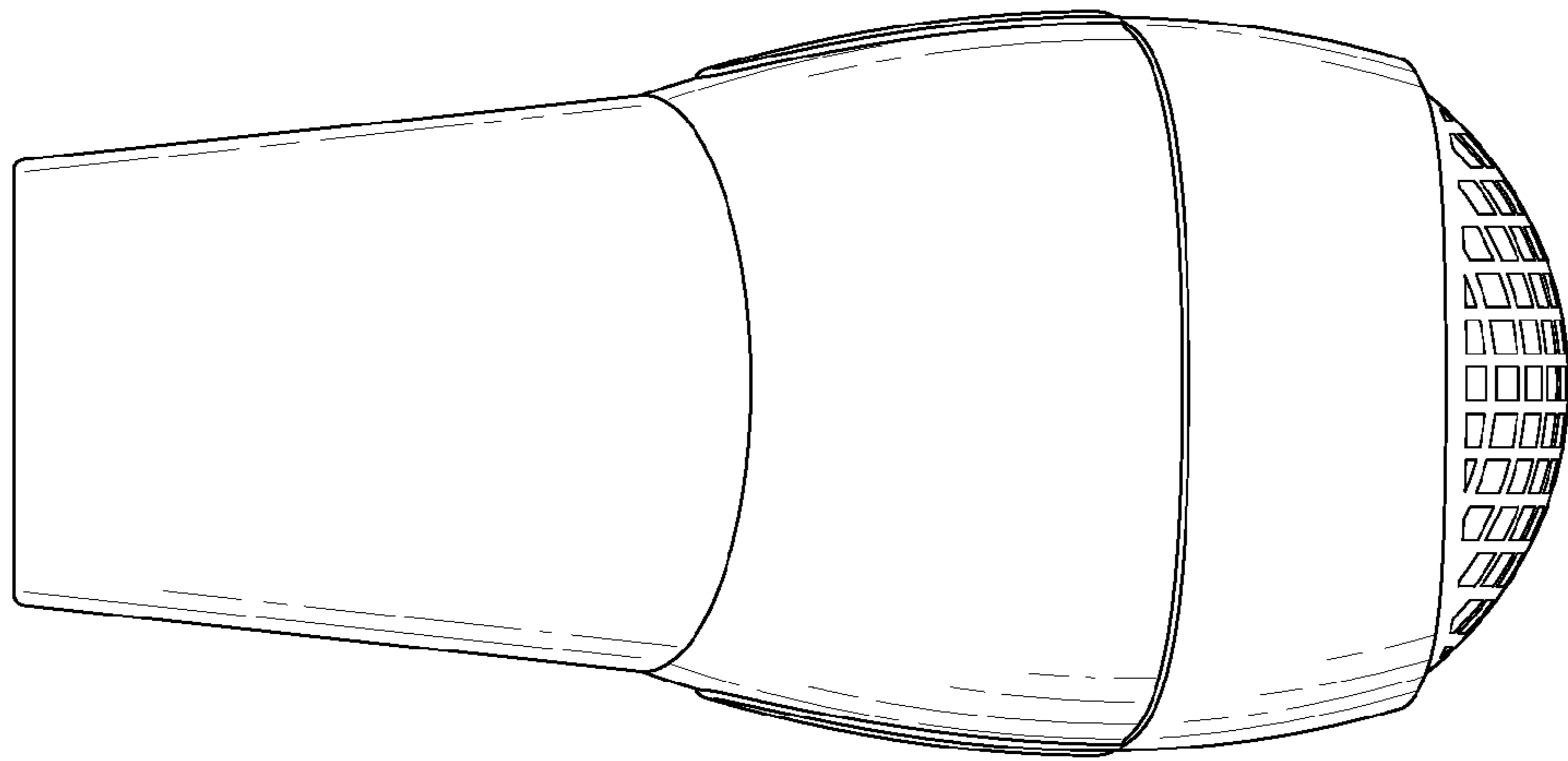


FIG. 6

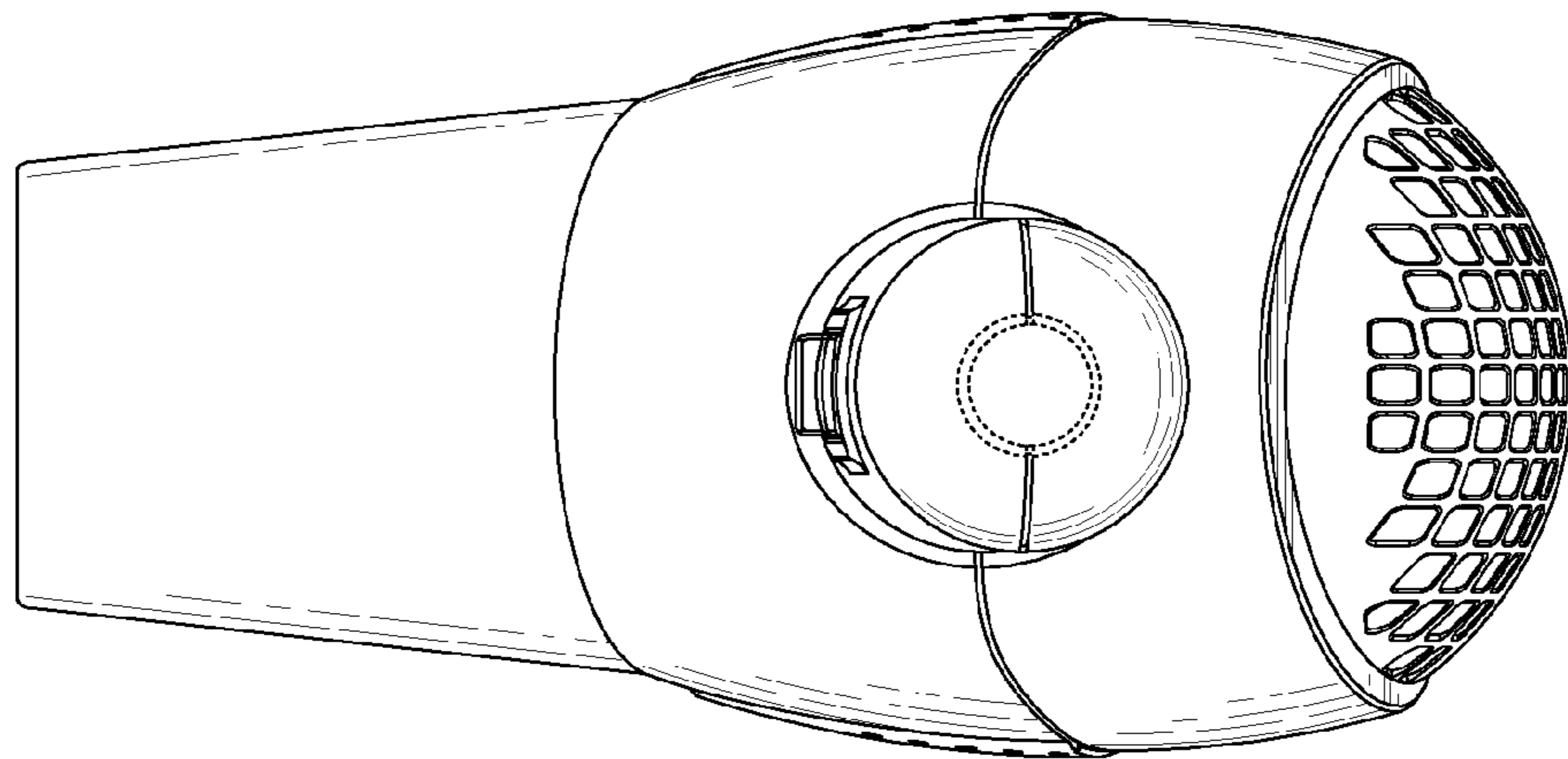


FIG. 7