



US00D600402S

(12) **United States Design Patent**
Chen

(10) **Patent No.:** **US D600,402 S**

(45) **Date of Patent:** **** Sep. 15, 2009**

(54) **CIGAR HUMIDOR**

(57) **CLAIM**

(76) **Inventor:** **Thomas Chen**, 1124 E. Ivy St., Colville, WA (US) 99114

I claim the ornamental design for a cigar humidor, as shown and described.

(**) **Term:** **14 Years**

DESCRIPTION

(21) **Appl. No.:** **29/289,648**

(22) **Filed:** **Jul. 28, 2007**

(51) **LOC (9) Cl.** **27-06**

(52) **U.S. Cl.** **D27/189**

(58) **Field of Classification Search** D27/183-192;
312/31-31.3; D6/440, 443; 131/329

See application file for complete search history.

FIG. 1 is a perspective view of a cigar humidor.
FIG. 2 is another perspective view of the cigar humidor.
FIG. 3 is a perspective view of the cigar humidor in an opened state.
FIG. 4 is a perspective view of the cigar humidor with all three trays removed.
FIG. 5 is a perspective view of the top tray.
FIG. 6 is a perspective view of the bottom of the top tray.
FIG. 7 is a perspective view of the middle tray.
FIG. 8 is a perspective view of the bottom of the middle tray.
FIG. 9 is a perspective view of the bottom tray.
FIG. 10 is a perspective view of the bottom of the bottom tray.
FIG. 11 is a perspective view of the bottom of the cigar humidor.
FIG. 12 is a another perspective view of the cigar humidor; and,
FIG. 13 is a perspective view of all three trays stacked together and removed from the cigar humidor.
The elements of the cigar humidor are shown separately for convenience of illustration.

(56) **References Cited**

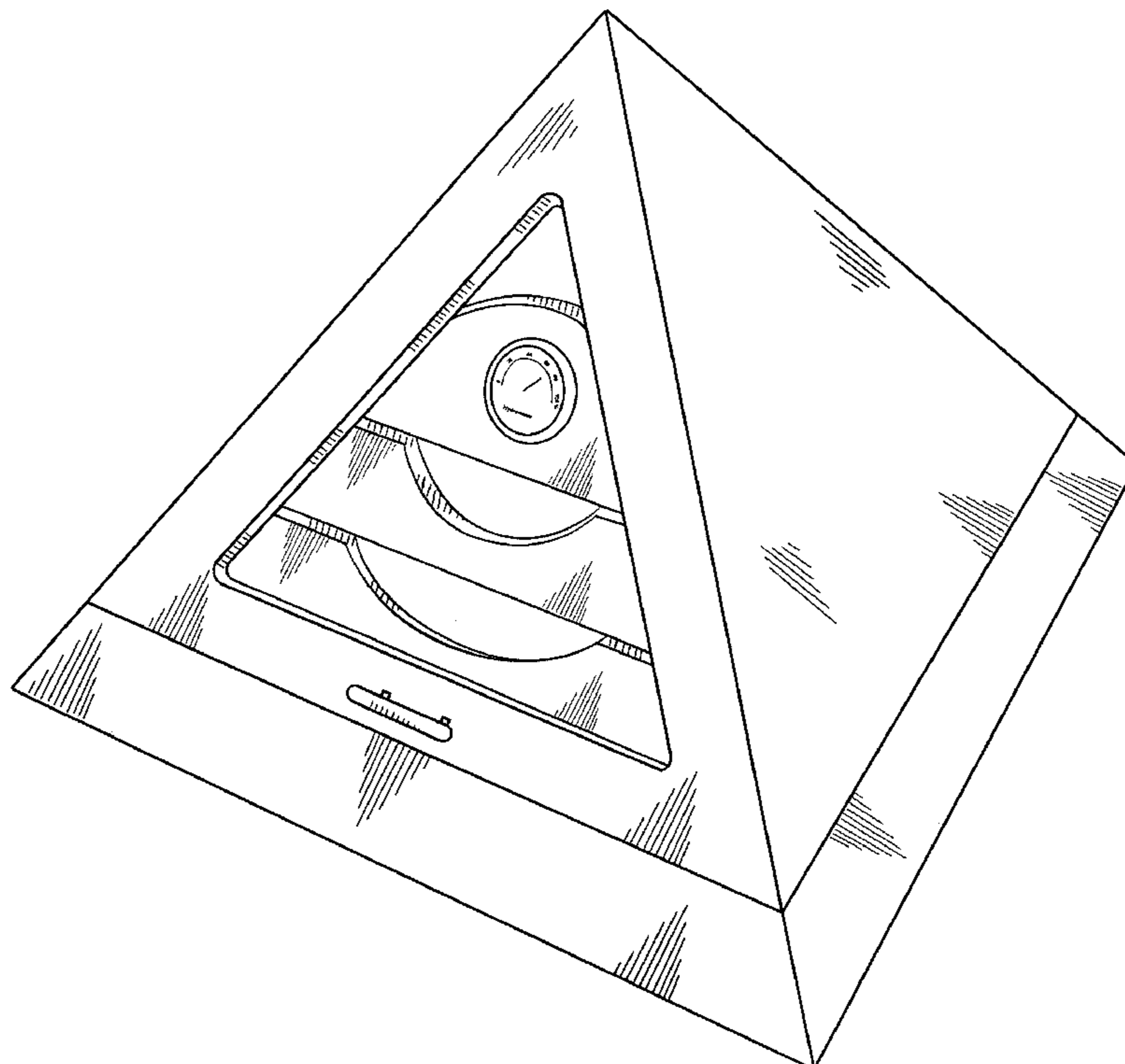
U.S. PATENT DOCUMENTS

D120,557	S	*	5/1940	Schwarz	D27/189
2,506,675	A	*	5/1950	Letts	248/905
4,944,402	A	*	7/1990	Wu	312/108
D373,528	S	*	9/1996	Ser Tuen Wei	D9/431
D378,835	S	*	4/1997	Guerrero	D9/431
D397,826	S	*	9/1998	McDiarmid	D27/189
D398,716	S	*	9/1998	Schoen	D27/189
D400,299	S	*	10/1998	Feldman	D27/186
D416,105	S	*	11/1999	Garrison et al.	D27/189
6,006,903	A	*	12/1999	Milone	312/31.3
D437,148	S	*	2/2001	Base et al.	D27/189
6,615,841	B2	*	9/2003	DeLoach	131/329

* cited by examiner

Primary Examiner—Jennifer Rivard

1 Claim, 13 Drawing Sheets



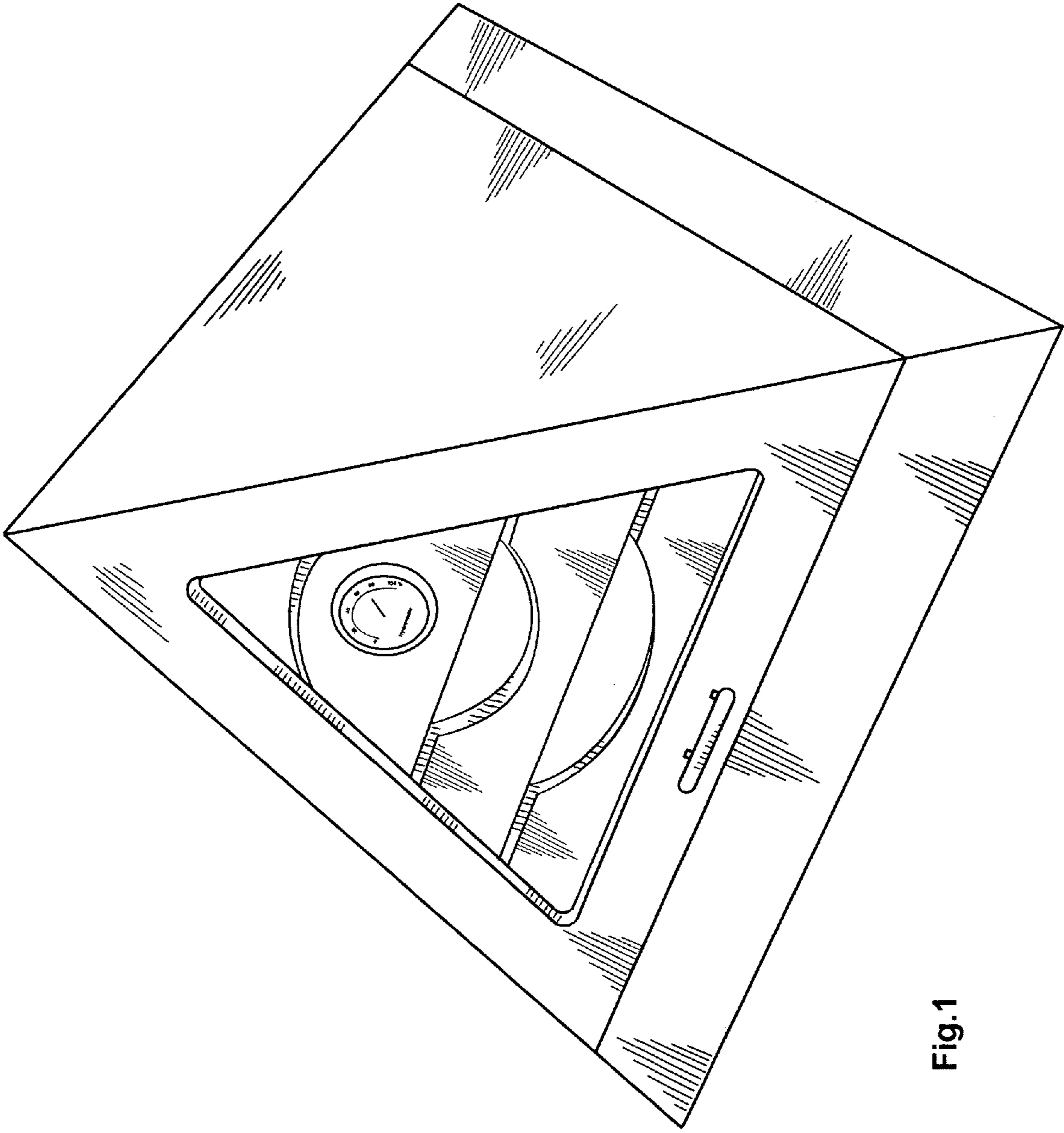


Fig.1

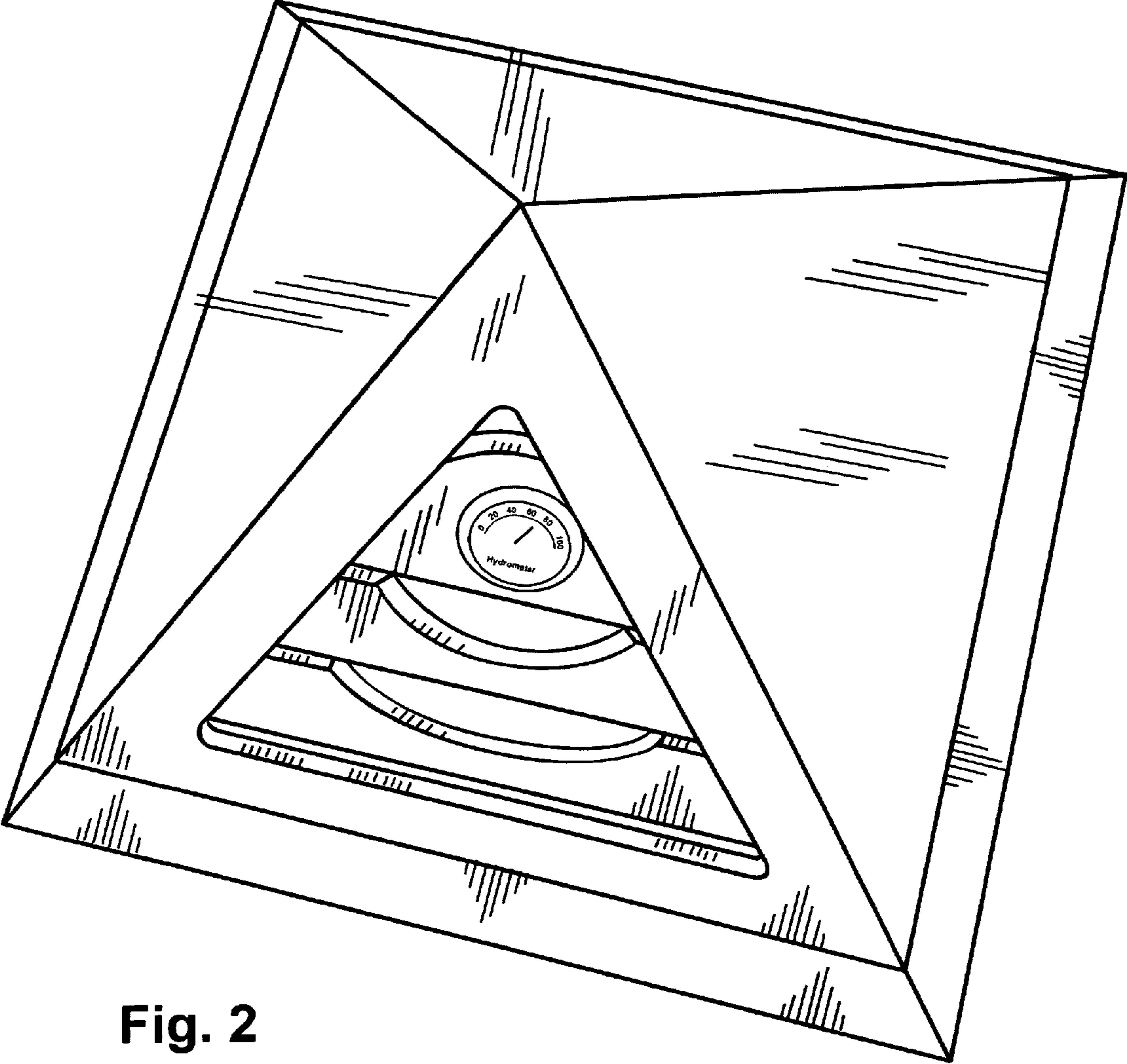


Fig. 2

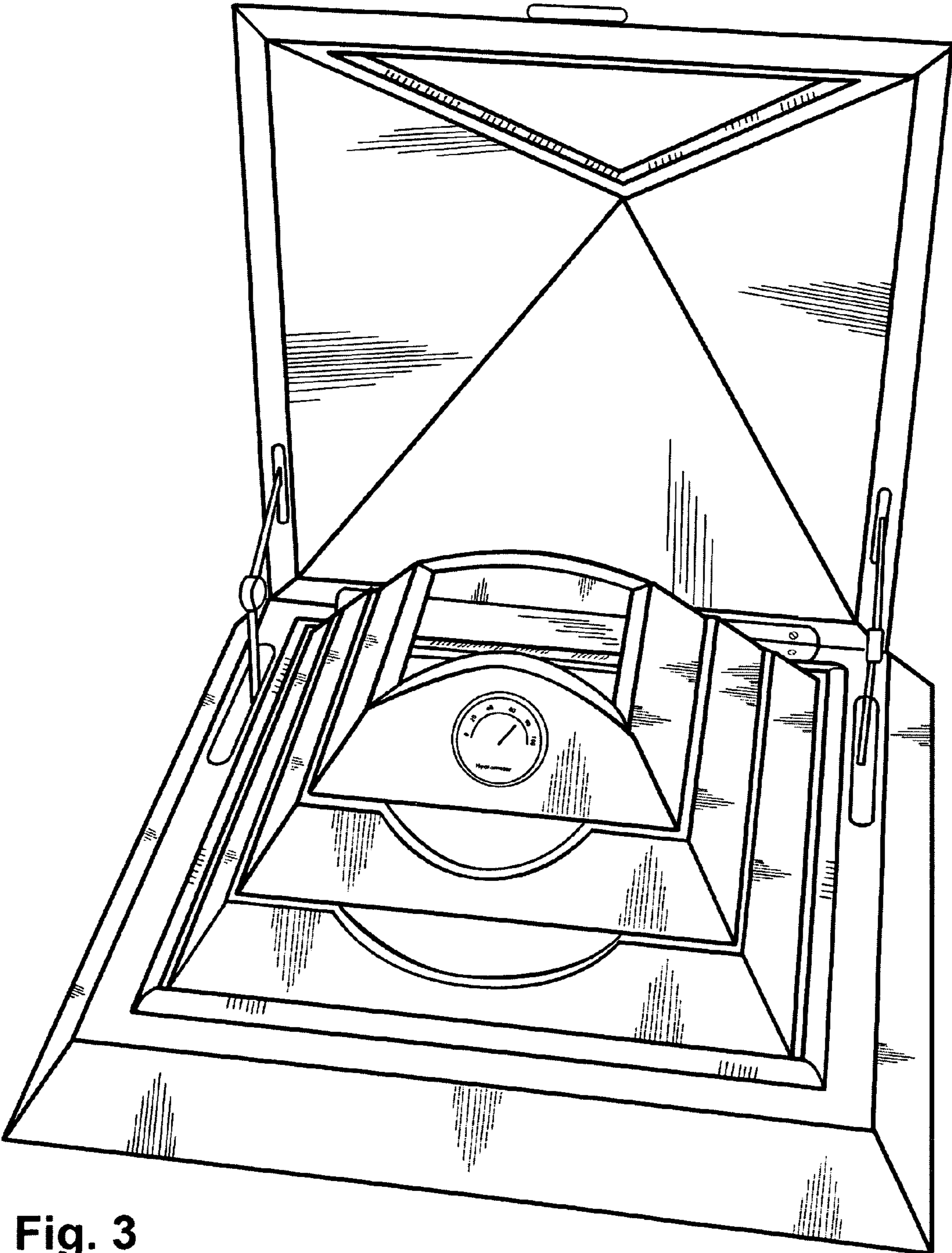


Fig. 3

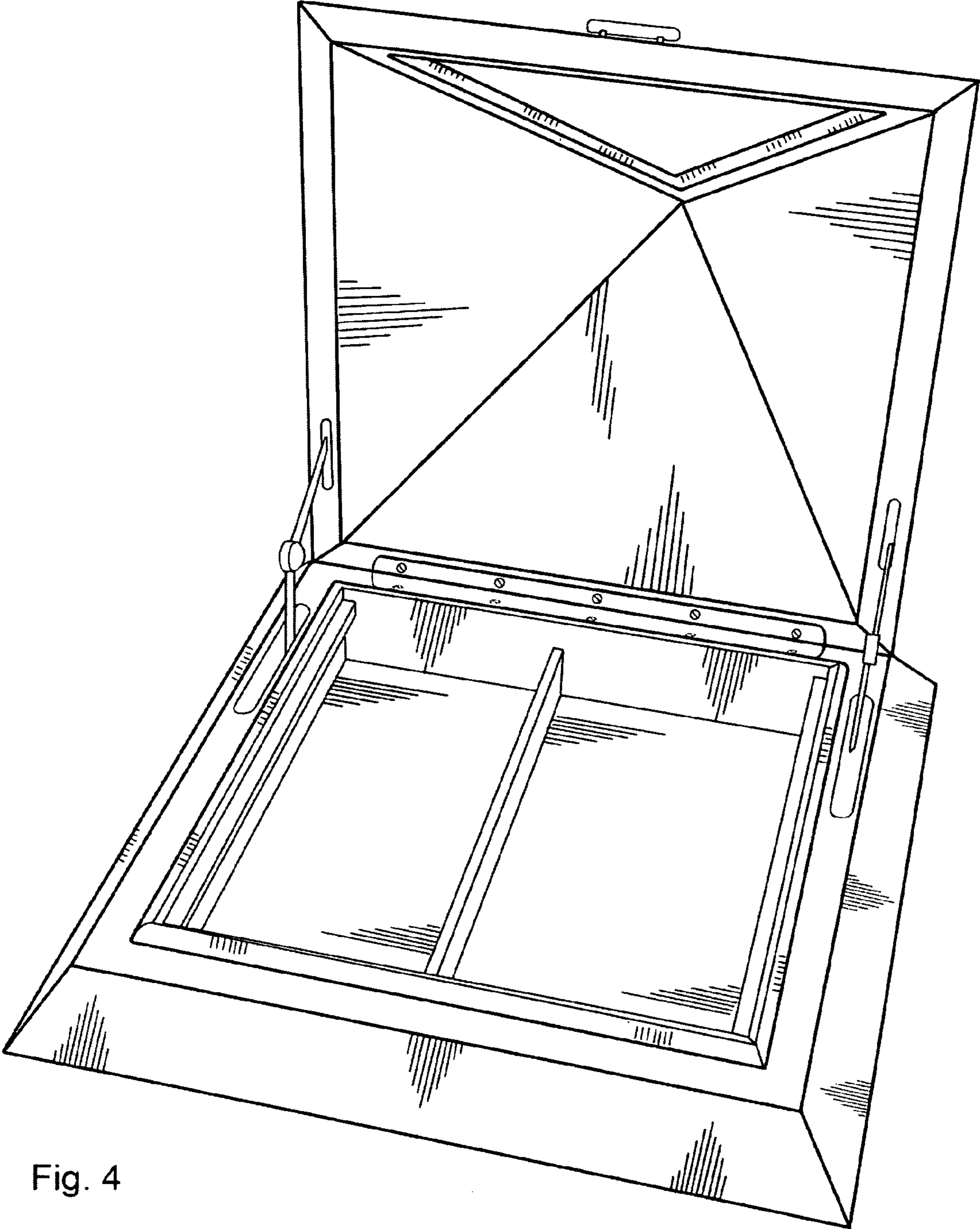


Fig. 4

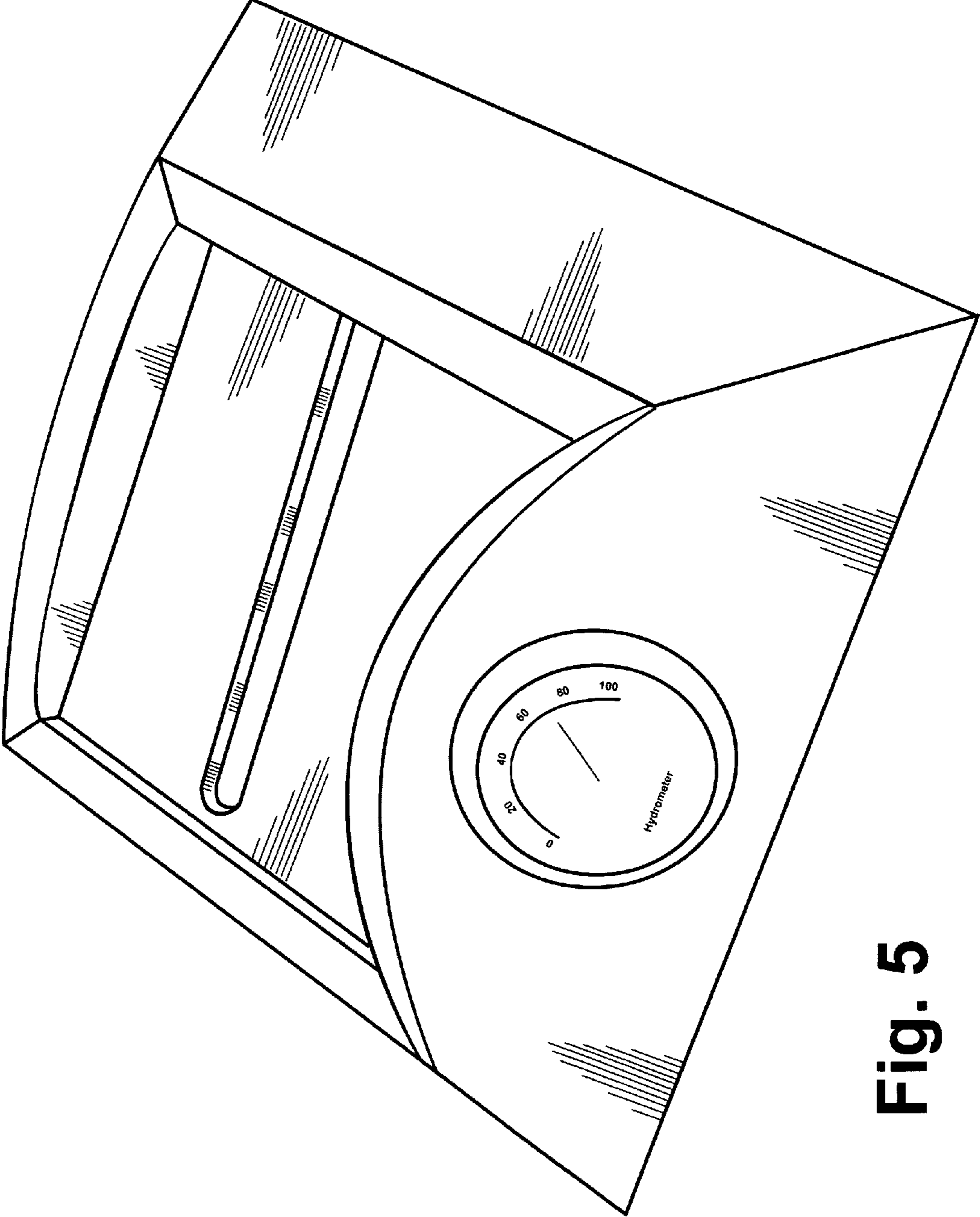


Fig. 5

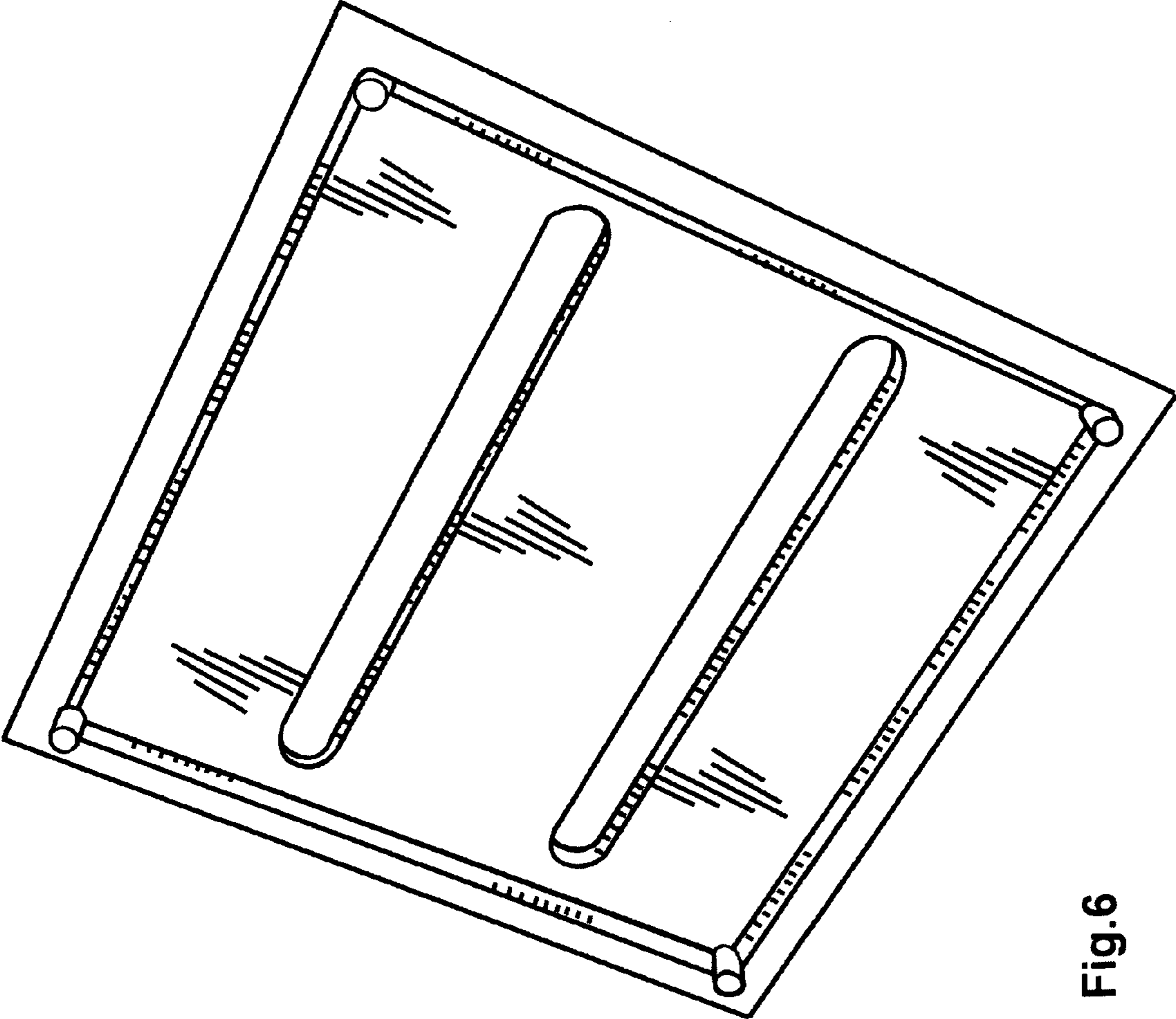


Fig. 6

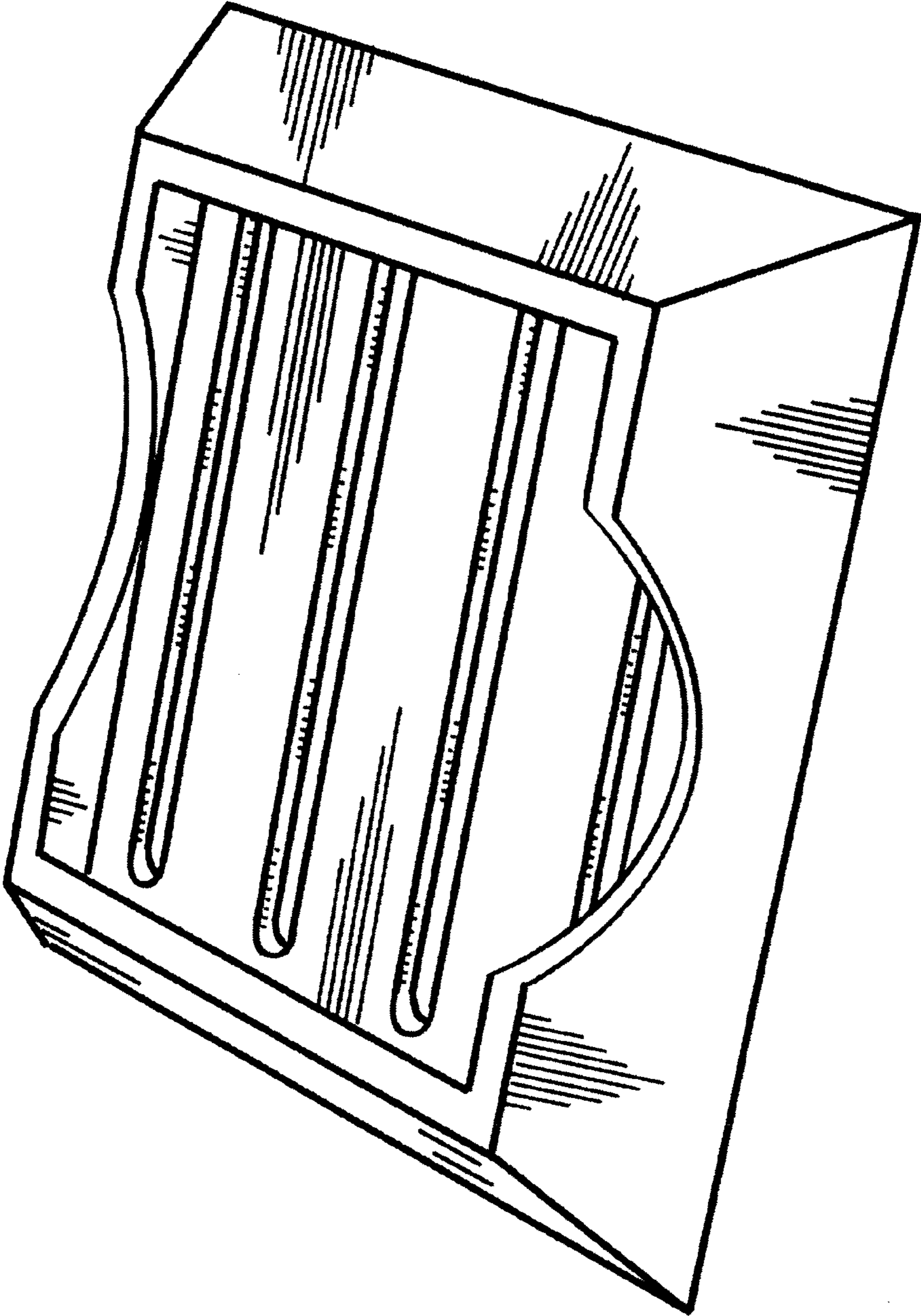


Fig. 7

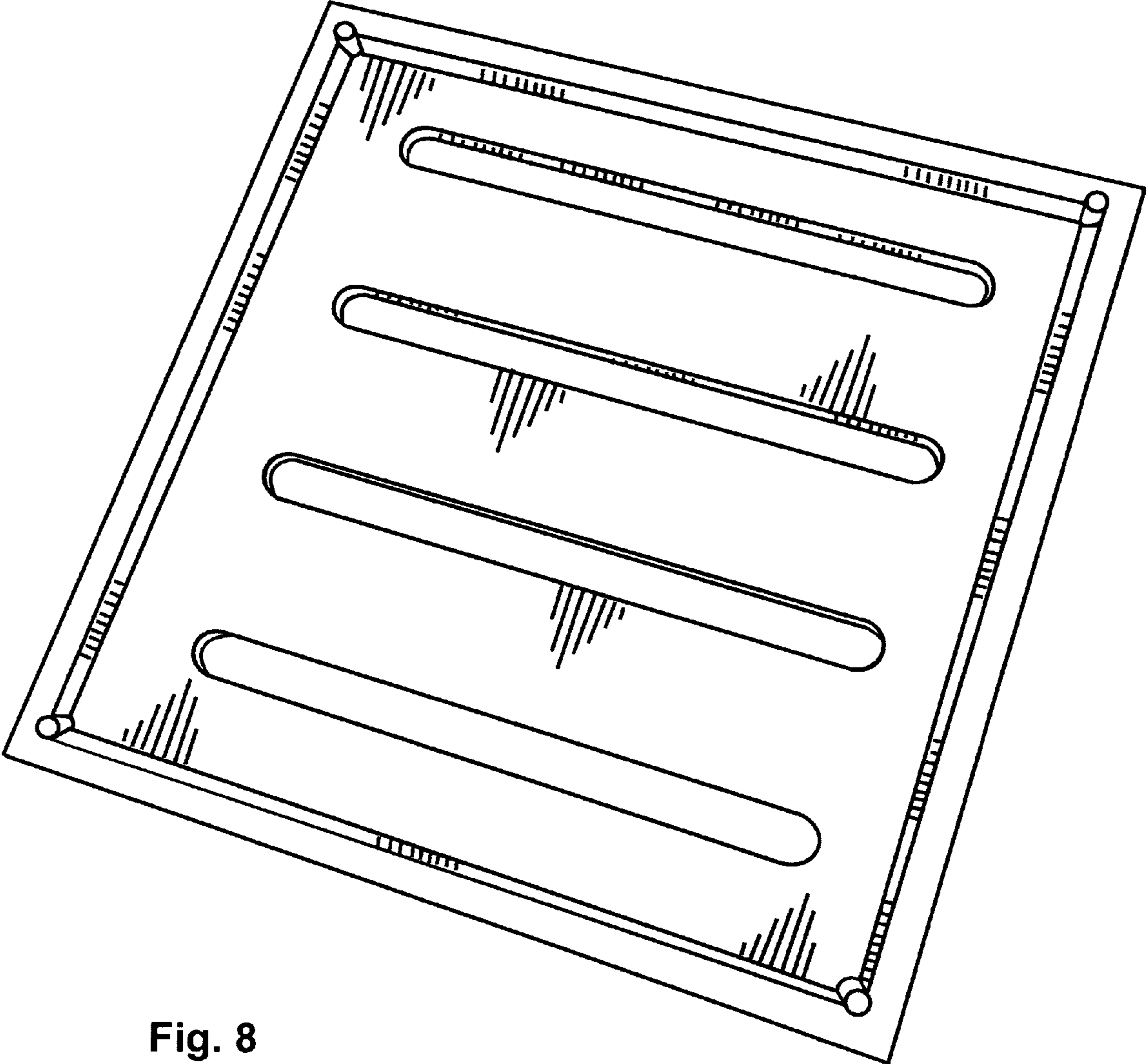


Fig. 8

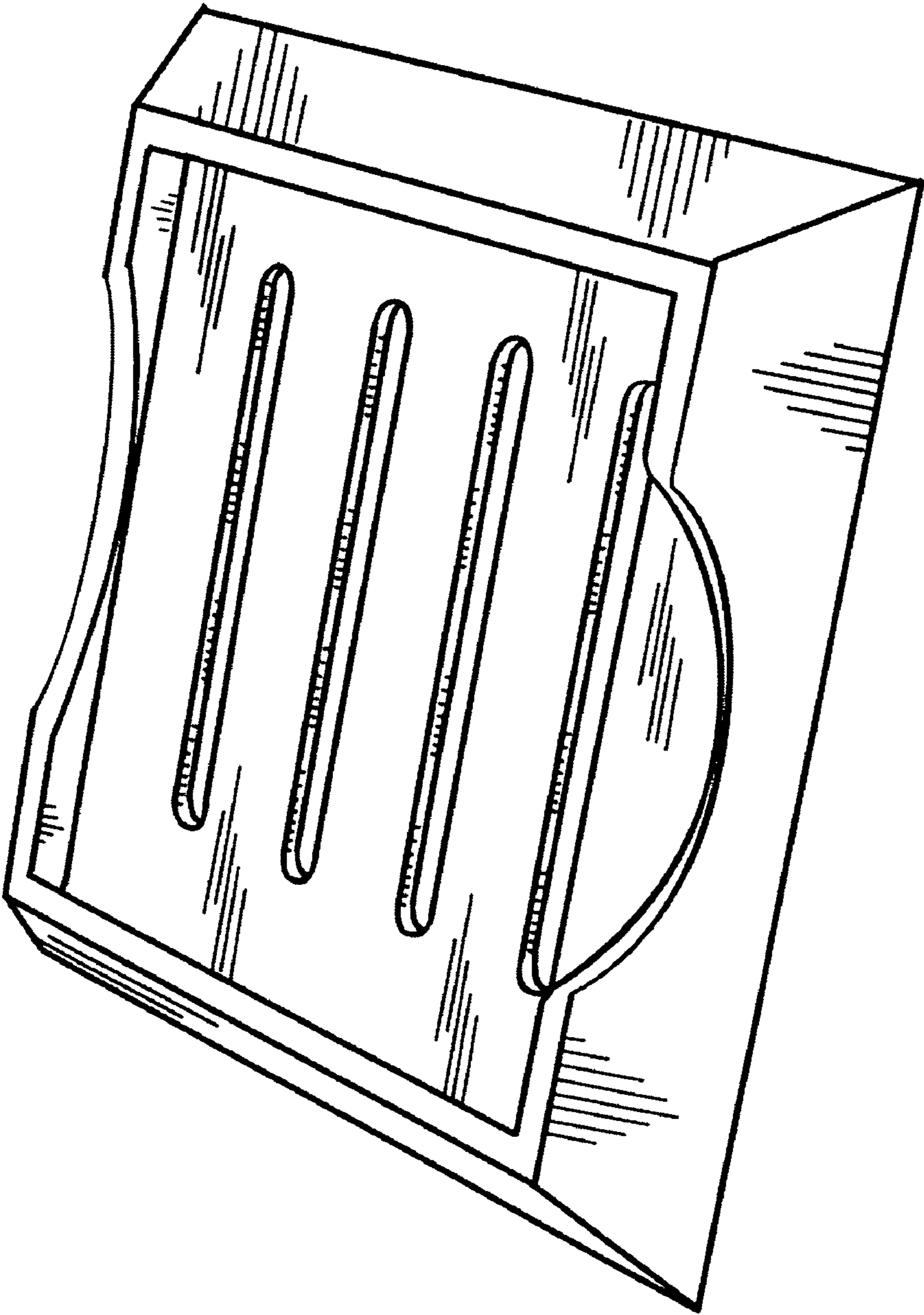


Fig. 9

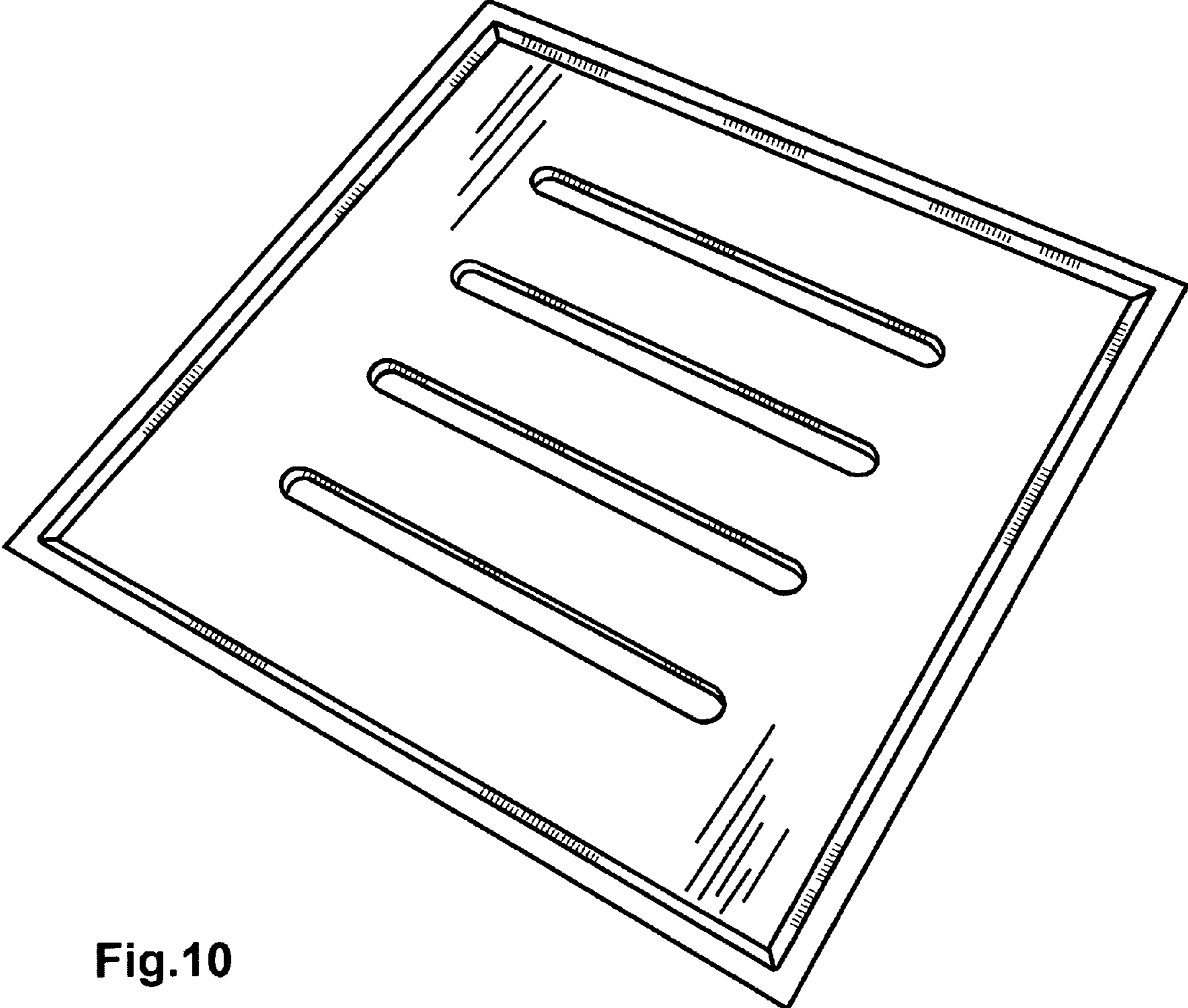


Fig.10

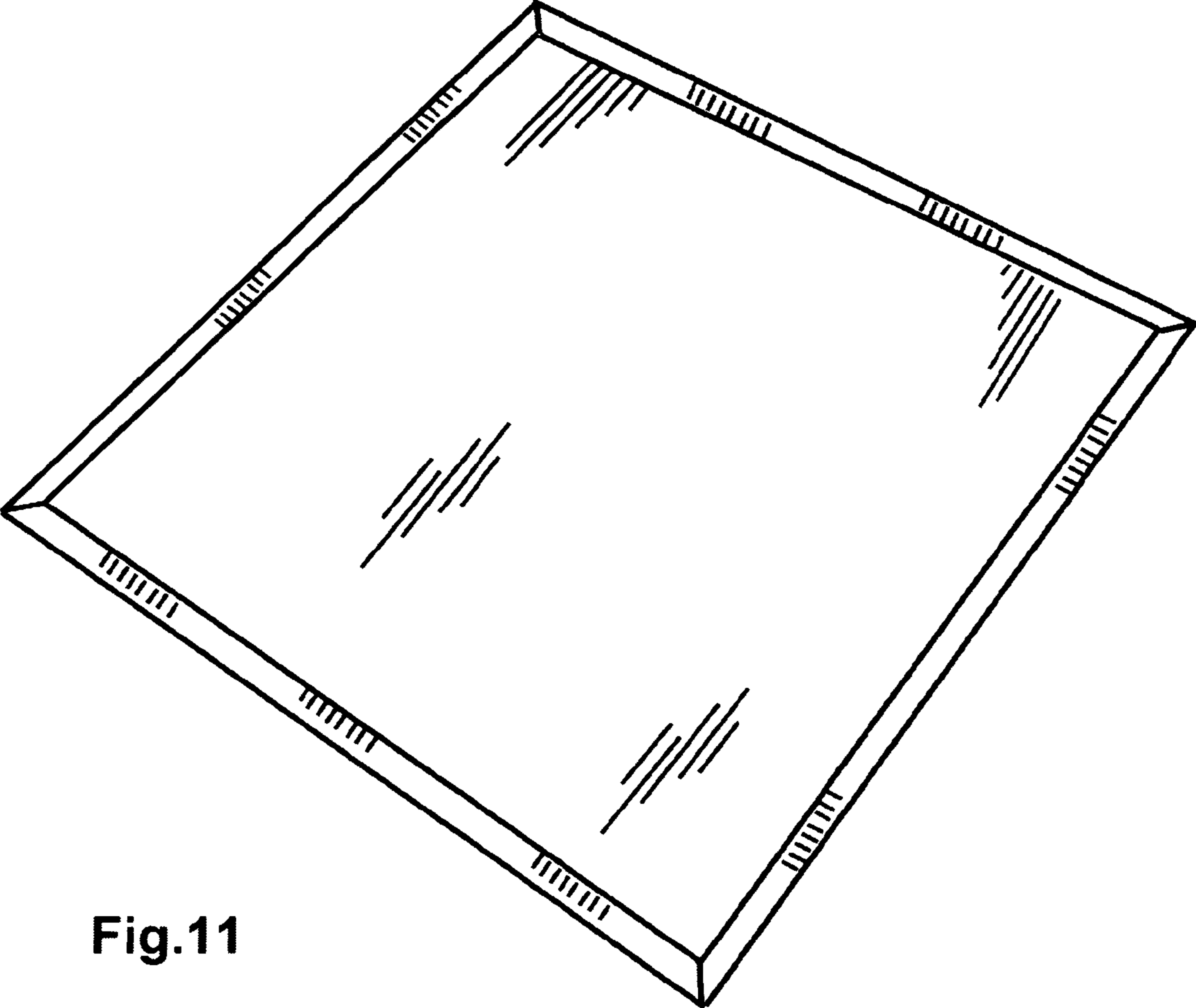


Fig.11

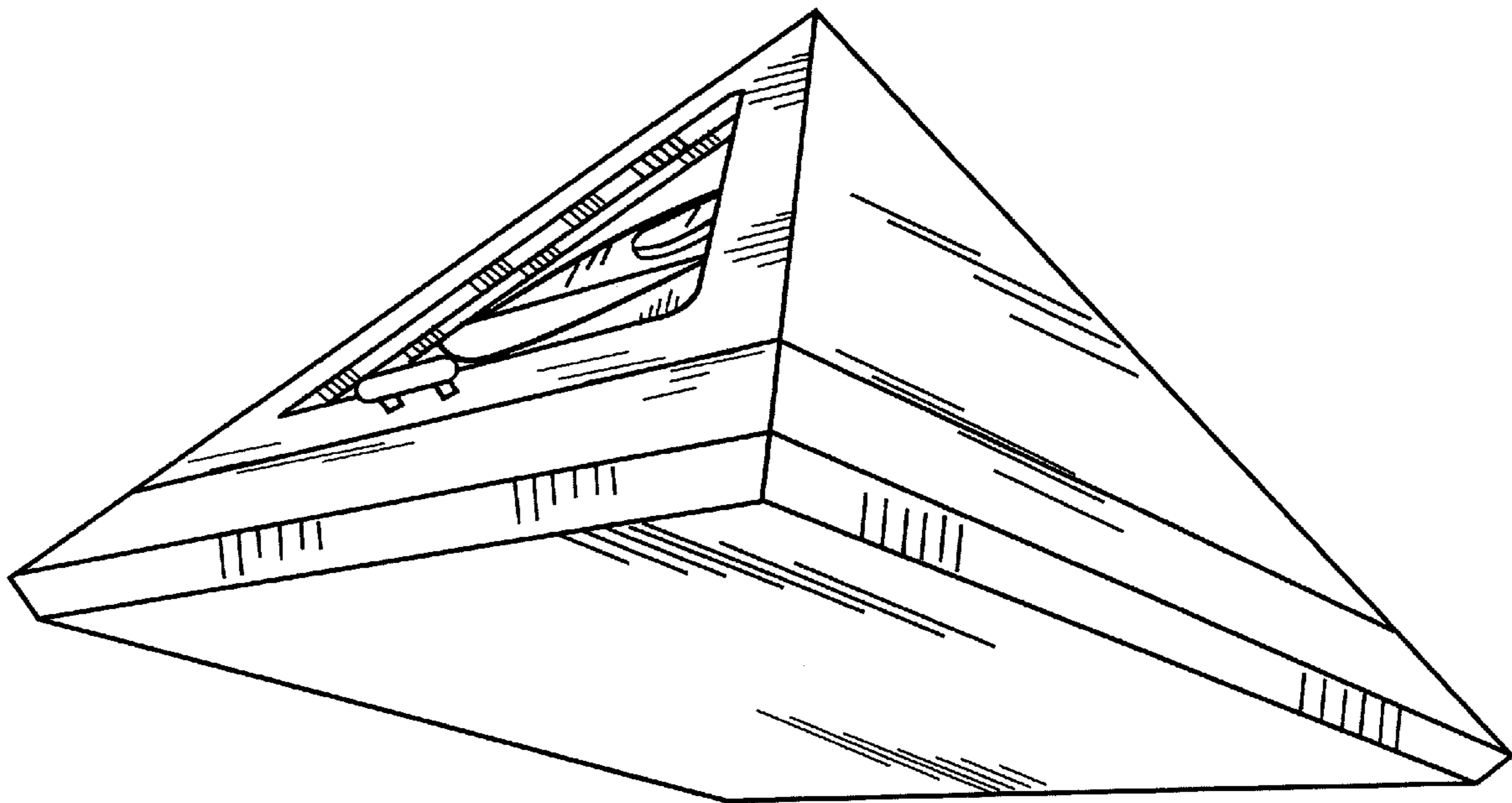


Fig.12

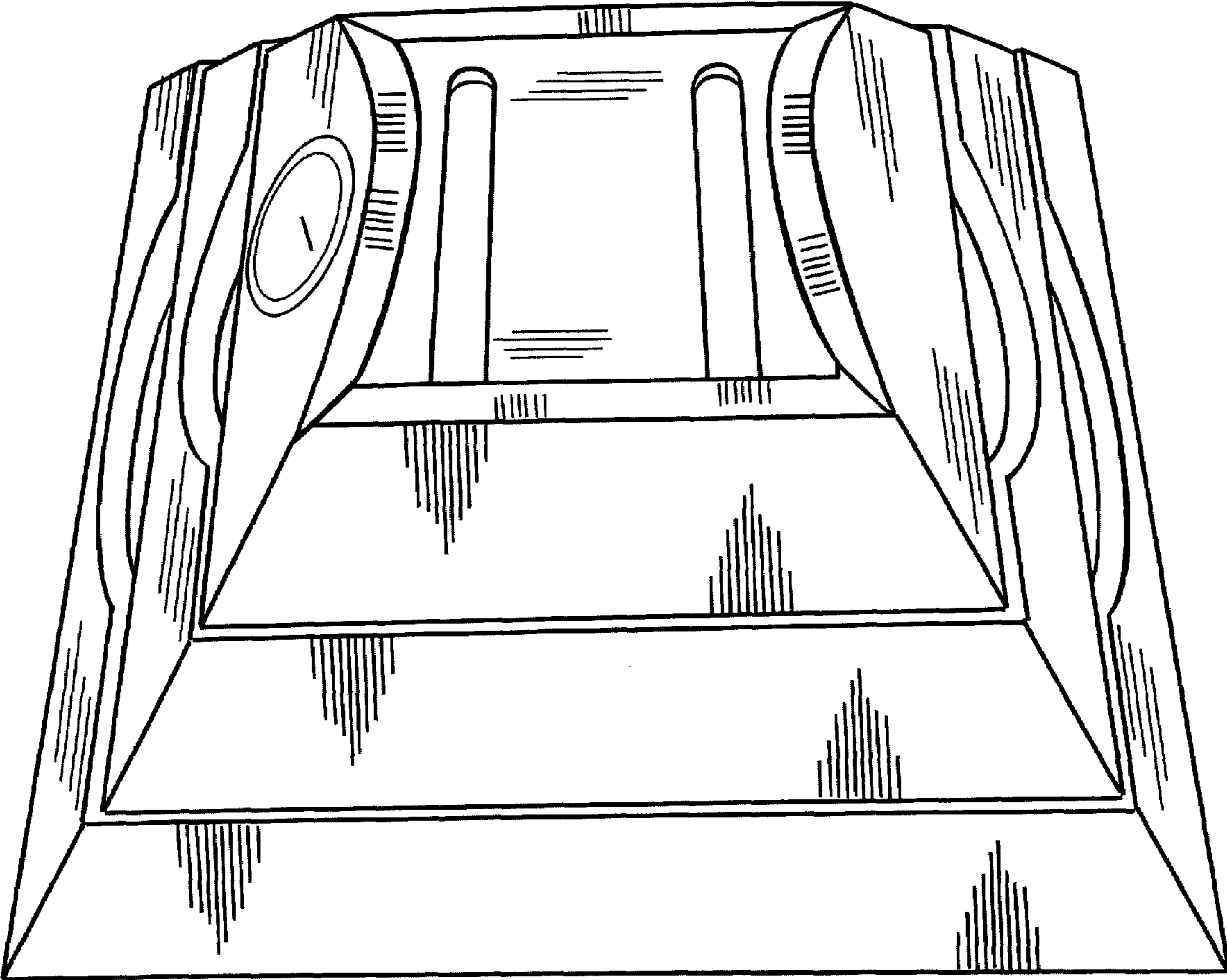


Fig.13