



US00D600401S

(12) **United States Design Patent**
Varrin

(10) **Patent No.:** **US D600,401 S**

(45) **Date of Patent:** **** Sep. 15, 2009**

(54) **LIGHT EMITTING ELONGATED TUBE BASE**

(75) Inventor: **Christopher Varrin**, Los Gatos, CA
(US)

(73) Assignee: **Element Labs, Inc.**, Santa Clara, CA
(US)

(**) Term: **14 Years**

(21) Appl. No.: **29/323,108**

(22) Filed: **Aug. 18, 2008**

(51) **LOC (9) Cl.** **26-99**

(52) **U.S. Cl.** **D26/138**

(58) **Field of Classification Search** D26/142,
D26/149, 150, 151, 152, 119, 121, 128, 129,
D26/130, 140, 141, 76, 120, 122, 118, 113,
D26/138, 74, 77, 60, 75, 78, 80, 81, 82, 83,
D26/85, 86, 88, 89, 90, 26, 35; 362/342,
362/600, 601, 605, 606, 607, 608, 632, 633,
362/558, 572, 573, 576, 145, 147, 217.01,
362/218, 219, 222, 223, 224, 225, 217.02–217.05,
362/217.08, 217.09, 217.1, 217.11, 217.14,
362/217.15, 246, 248, 279, 290, 325, 354,
362/355, 364, 366; D6/580, 300, 492, 579;
D25/103, 124, 122, 123, 125, 106, 109, 110,
D25/138

See application file for complete search history.

(56) **References Cited**

U.S. PATENT DOCUMENTS

4,554,619	A	*	11/1985	Bansbach et al.	362/222
D298,465	S	*	11/1988	Stagl	D25/122
D307,481	S	*	4/1990	Stagl	D25/122
D307,483	S	*	4/1990	Stagl	D25/122
D314,757	S	*	2/1991	Gecchelin	D13/155
D324,576	S	*	3/1992	Bell	D25/122
D337,257	S	*	7/1993	Danieli	D8/376
D343,006	S	*	1/1994	Stagl	D25/123

D360,039	S	*	7/1995	Stagl	D25/122
D368,851	S	*	4/1996	Cole et al.	D8/376
D384,178	S	*	9/1997	Costa	D26/76
D421,688	S	*	3/2000	Doud et al.	D6/491
D486,340	S	*	2/2004	Sudano	D6/577
D530,558	S	*	10/2006	Damiano	D6/580

* cited by examiner

Primary Examiner—Cathron C Brooks
Assistant Examiner—Kevin K Rudzinski
(74) *Attorney, Agent, or Firm*—Aka Chan LLP

(57) **CLAIM**

The ornamental design for a light emitting elongated tube base, as shown and described.

DESCRIPTION

FIG. 1 is a top perspective view of the design according to the invention.

FIG. 2 is a bottom perspective view of the design according to the invention.

FIG. 3 is a front view of the design according to the invention, a rear view being a mirror image thereof.

FIG. 4 is a left view of the design according to the invention, a right side view being a mirror image thereof.

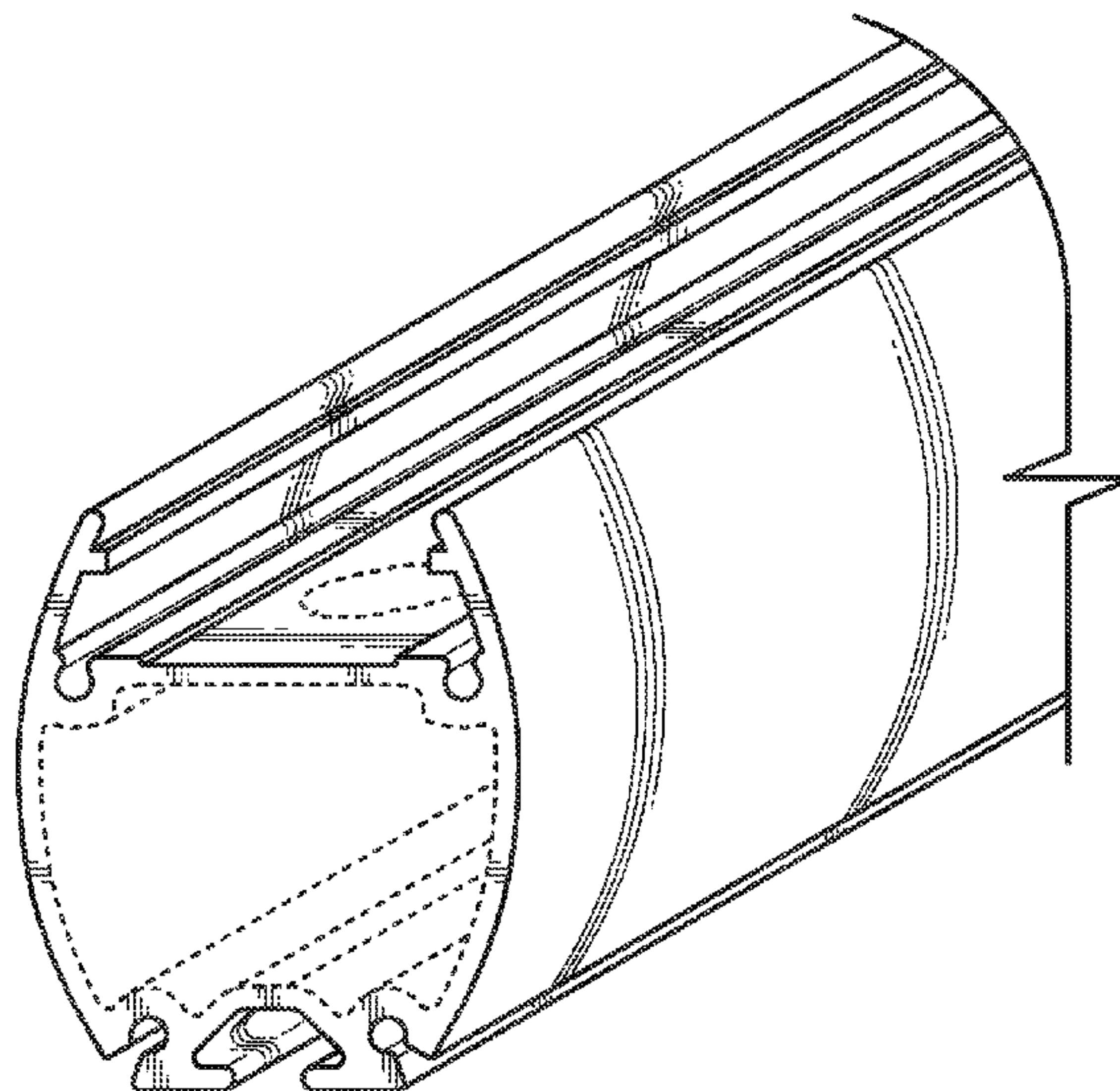
FIG. 5 is a top plan view of the design according to the invention.

FIG. 6 is a bottom view of the design according to the invention; and,

FIG. 7 is a top perspective view of the design shown in use according to the invention.

The broken lines shown represent unclaimed portions of the design and environmental structure, and form no part of the claimed design. The broken away jagged lines indicate that the design is of non-specified length.

1 Claim, 5 Drawing Sheets



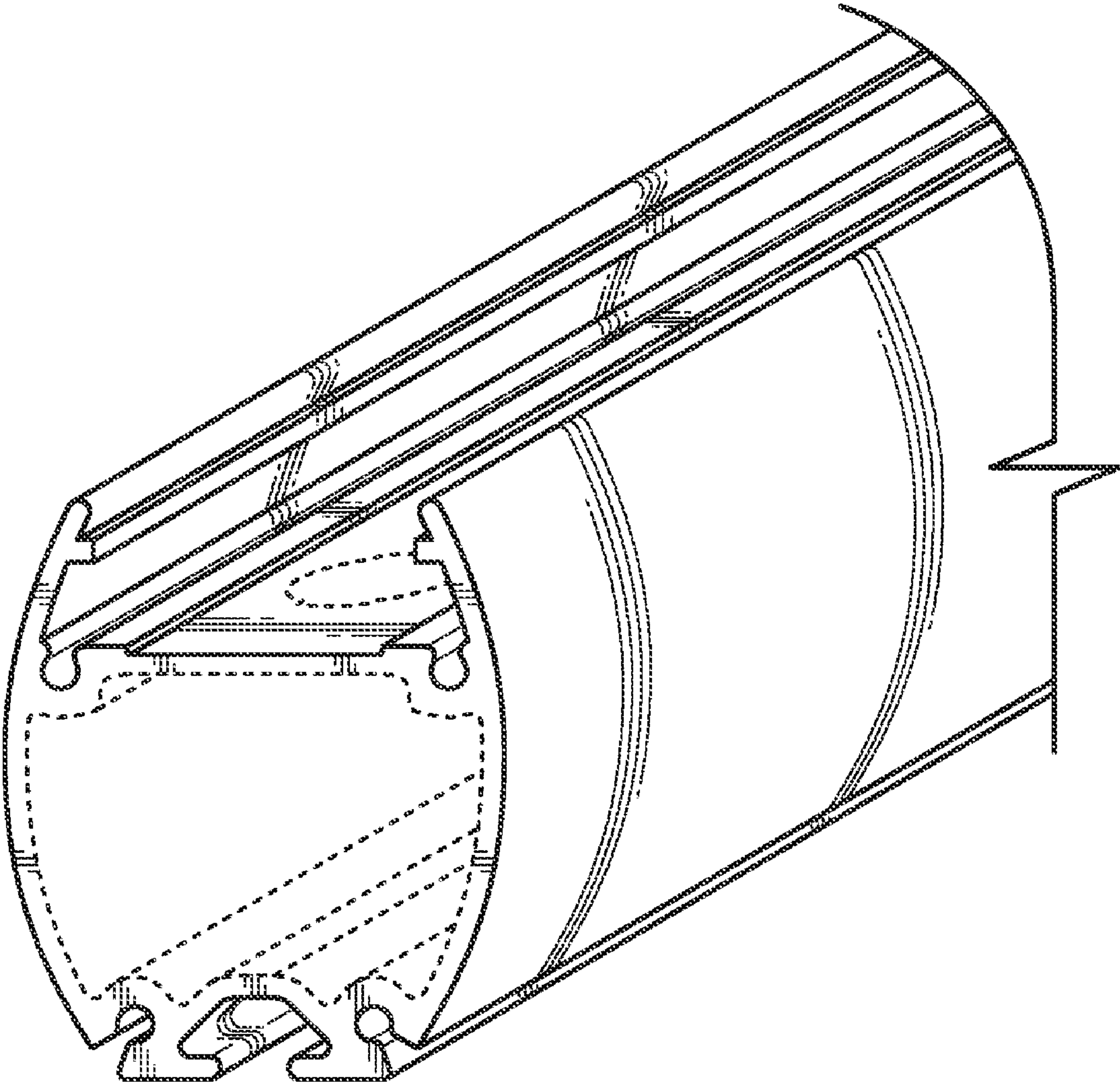


FIG. 1

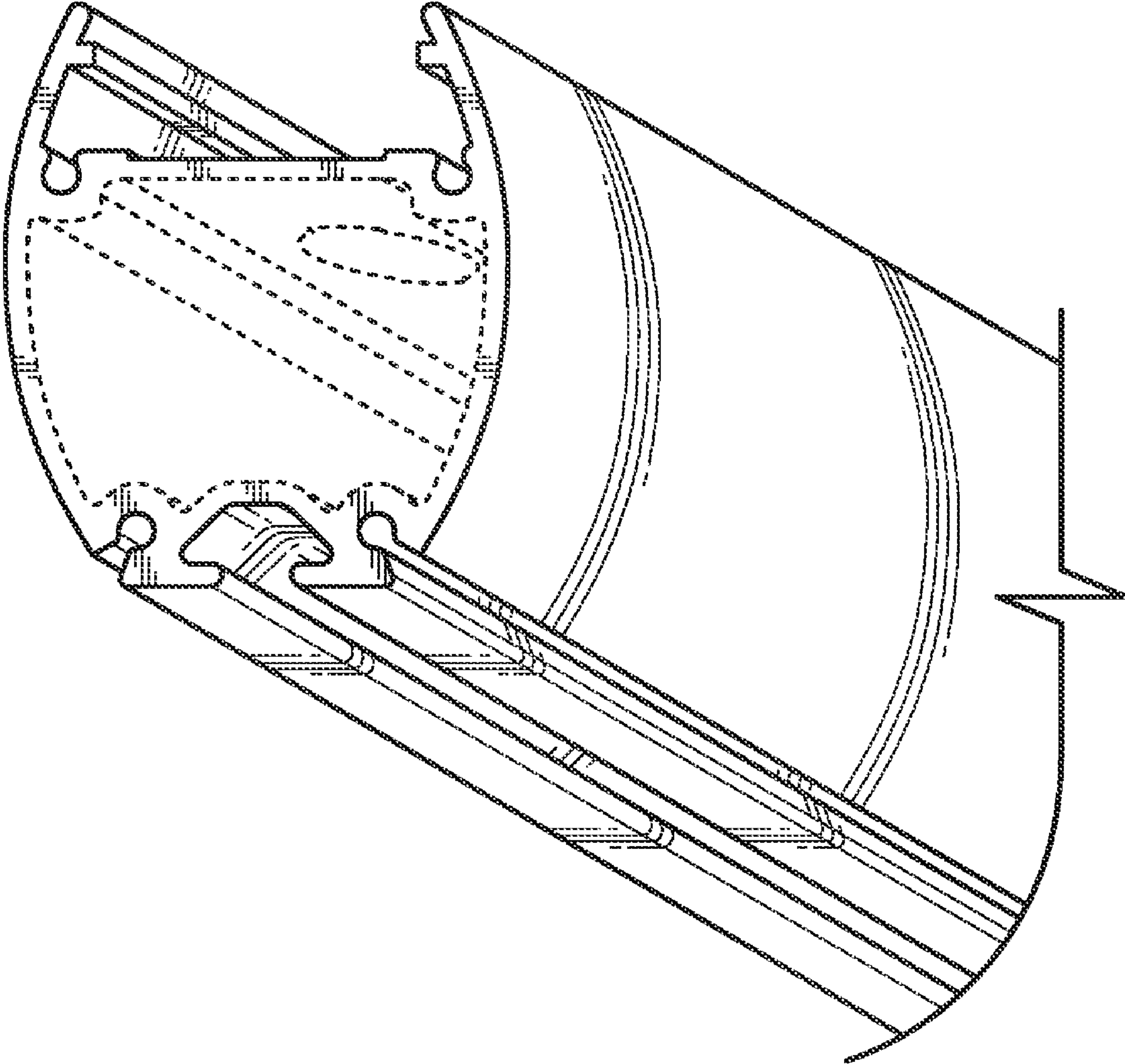


FIG. 2

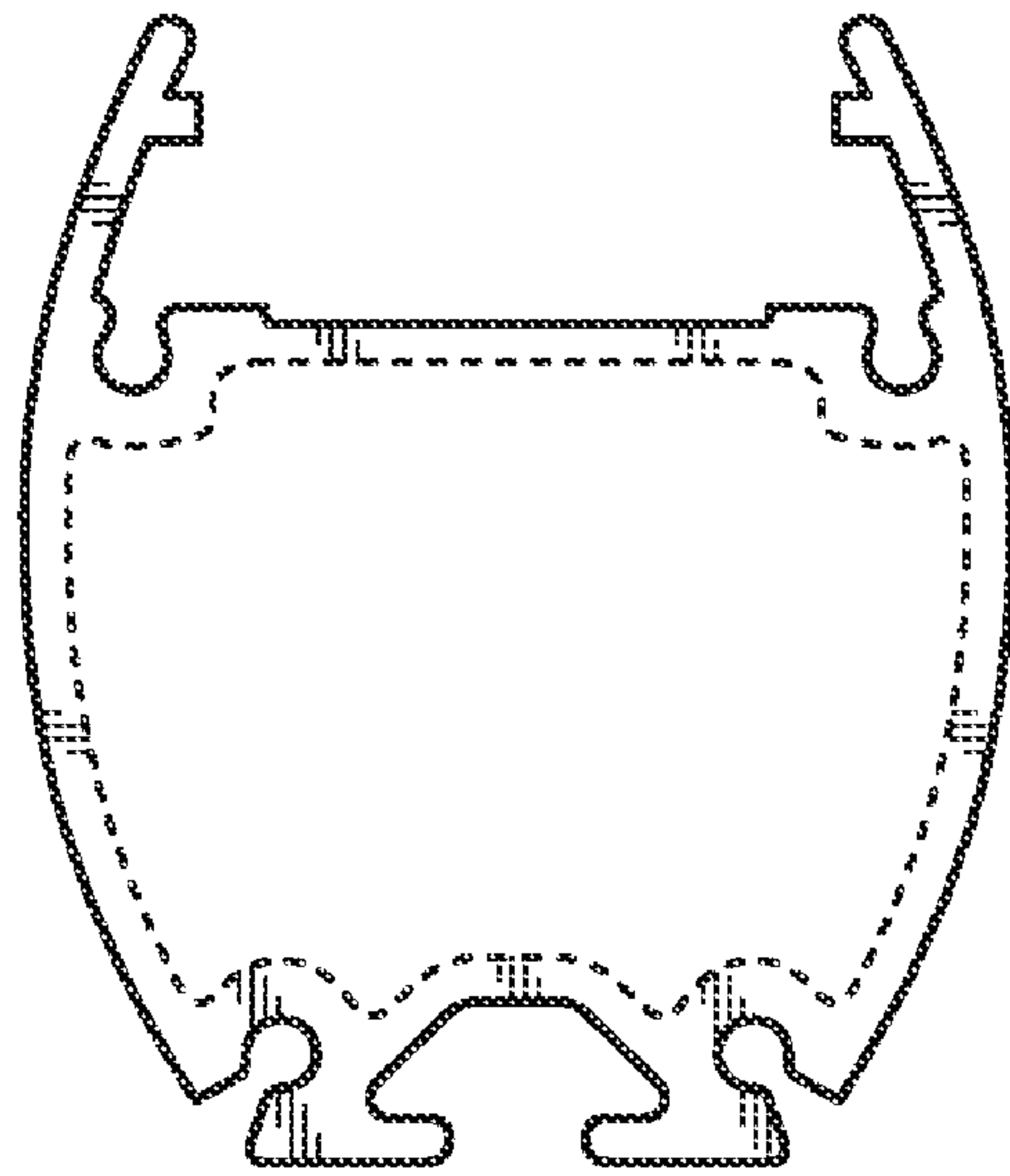


FIG. 3

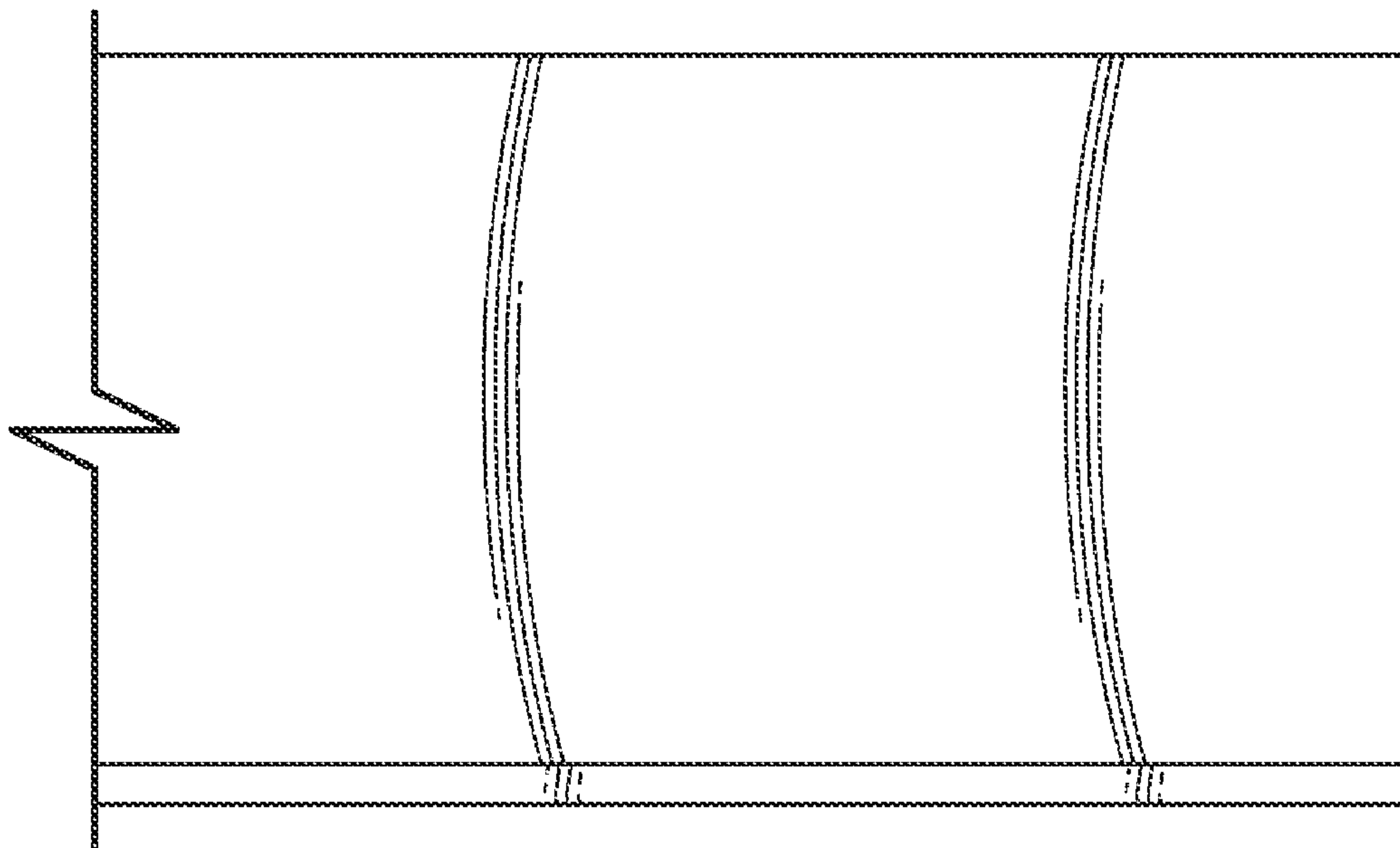


FIG. 4

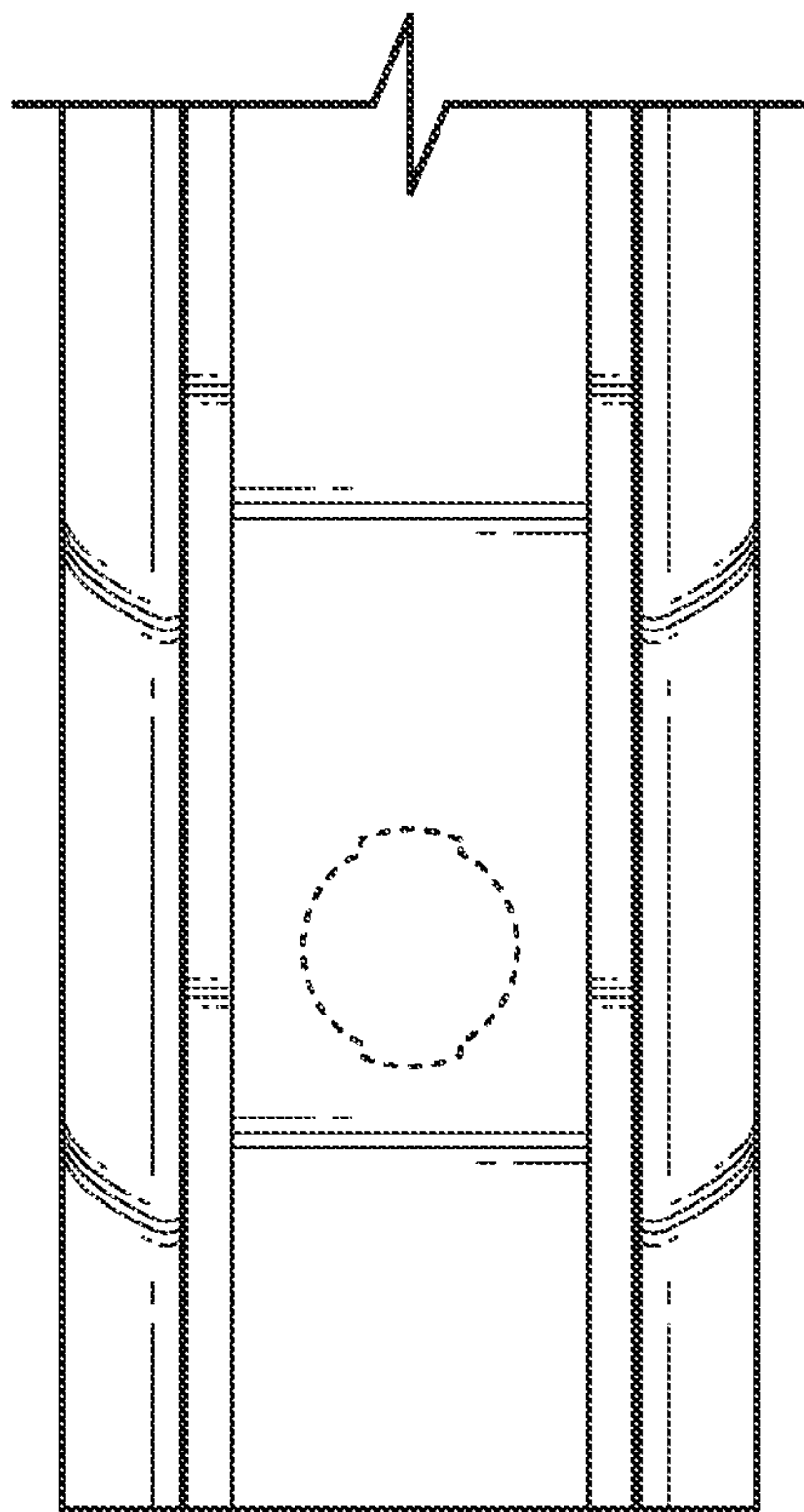


FIG. 5

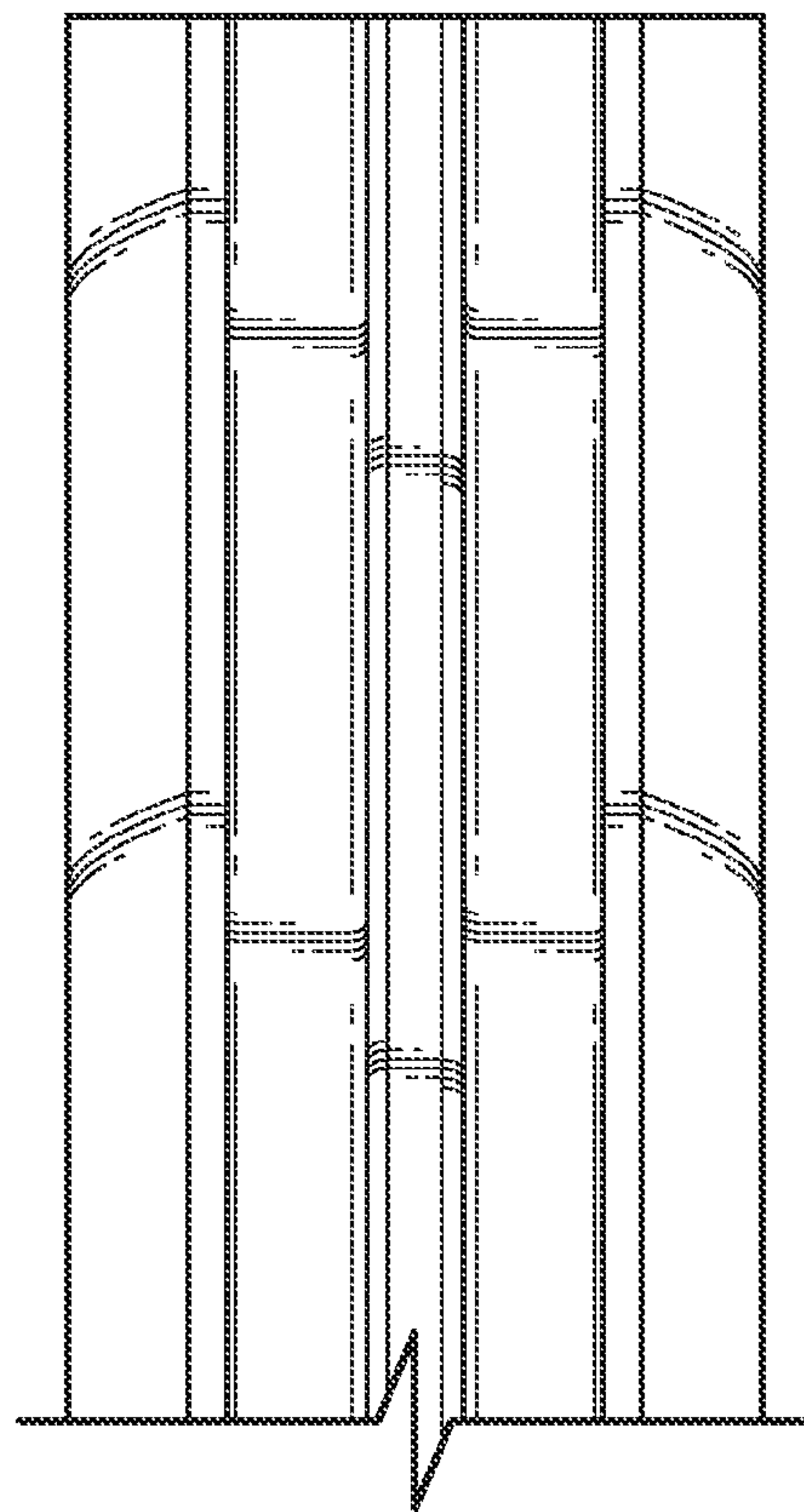


FIG. 6

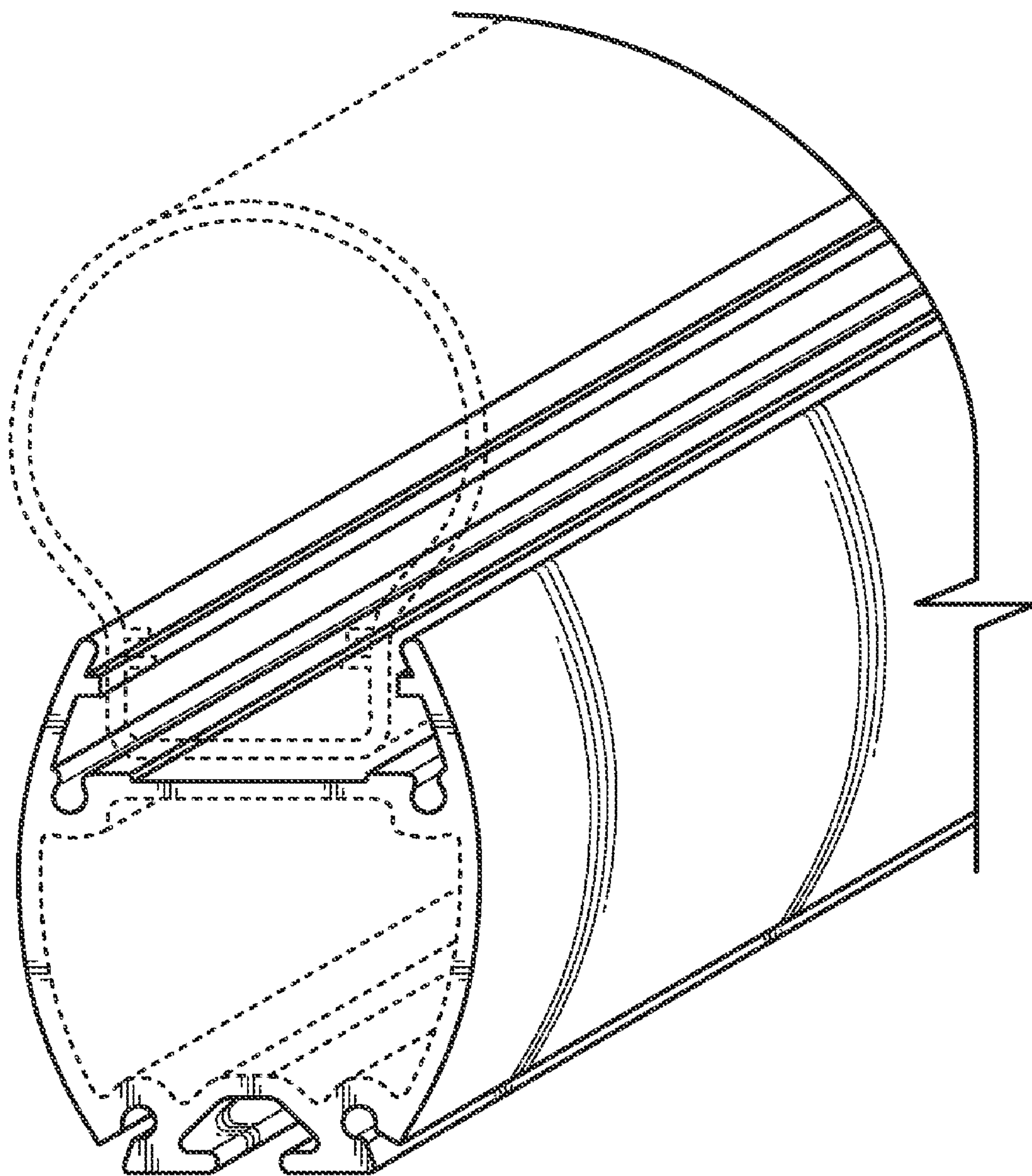


FIG. 7