



US00D600397S

(12) **United States Design Patent**
Nourishad et al.

(10) **Patent No.:** **US D600,397 S**

(45) **Date of Patent:** **** Sep. 15, 2009**

(54) **LAMP SHIELD**

(75) Inventors: **Feridoun Nourishad**, Irvine, CA (US);
Jose L. Adame, Fontana, CA (US)

(73) Assignee: **Genlyte Thomas Group LLC**,
Louisville, KY (US)

(**) Term: **14 Years**

(21) Appl. No.: **29/317,712**

(22) Filed: **May 5, 2008**

(51) **LOC (9) Cl.** **26-99**

(52) **U.S. Cl.** **D26/120**

(58) **Field of Classification Search** D26/142,
D26/149, 150, 151, 152, 119, 121, 128, 129,
D26/130, 140, 141, 76, 120, 122, 118, 113,
D26/138, 74, 77, 60, 75, 78, 80, 81, 82, 83,
D26/85, 86, 88, 89, 90, 26, 35; 362/342,
362/600, 601, 605, 606, 607, 608, 632, 633,
362/558, 572, 573, 576, 145, 147, 217.01,
362/218, 219, 222, 223, 224, 225, 217.02–217.05,
362/217.08, 217.09, 217.1, 217.11, 217.14,
362/217.15, 246, 248, 279, 290, 325, 354,
362/355, 364, 366; D6/580, 300, 492, 579;
D25/103, 124, 122, 123, 125, 106, 109, 110,
D25/138

See application file for complete search history.

(56) **References Cited**

U.S. PATENT DOCUMENTS

2,710,332 A * 6/1955 Gogen 362/86
D208,572 S * 9/1967 Wakefield D26/76
D209,534 S * 12/1967 Eisenberg D26/121
3,381,124 A * 4/1968 Eisenberg 362/354
4,363,082 A * 12/1982 Roland 362/148
D308,259 S * 5/1990 Burkarth D26/78
D320,283 S * 9/1991 Burkarth D26/121
D334,076 S * 3/1993 Dieperink et al. D26/77

D365,651 S * 12/1995 Herst et al. D26/77
D377,231 S * 1/1997 Degelmann D26/77
D393,734 S * 4/1998 Casteel D26/76
D429,357 S * 8/2000 Grimm D26/76
6,174,069 B1 * 1/2001 Plunk et al. 362/147
6,273,592 B1 * 8/2001 Herst et al. 362/342
D481,824 S * 11/2003 Watt D26/118
D496,746 S * 9/2004 Herst et al. D26/76
D497,217 S * 10/2004 Thornton et al. D26/76
2004/0136187 A1 * 7/2004 Plunk et al. 362/225
2005/0141216 A1 * 6/2005 McCarthy 362/147

* cited by examiner

Primary Examiner—Cathron C Brooks

Assistant Examiner—Kevin K Rudzinski

(74) *Attorney, Agent, or Firm*—James E. Cole; Middleton
Reutlinger

(57) **CLAIM**

The ornamental design for a lamp shield, as shown and
described.

DESCRIPTION

FIG. 1 is a perspective view of the lamp shield of the present
invention;

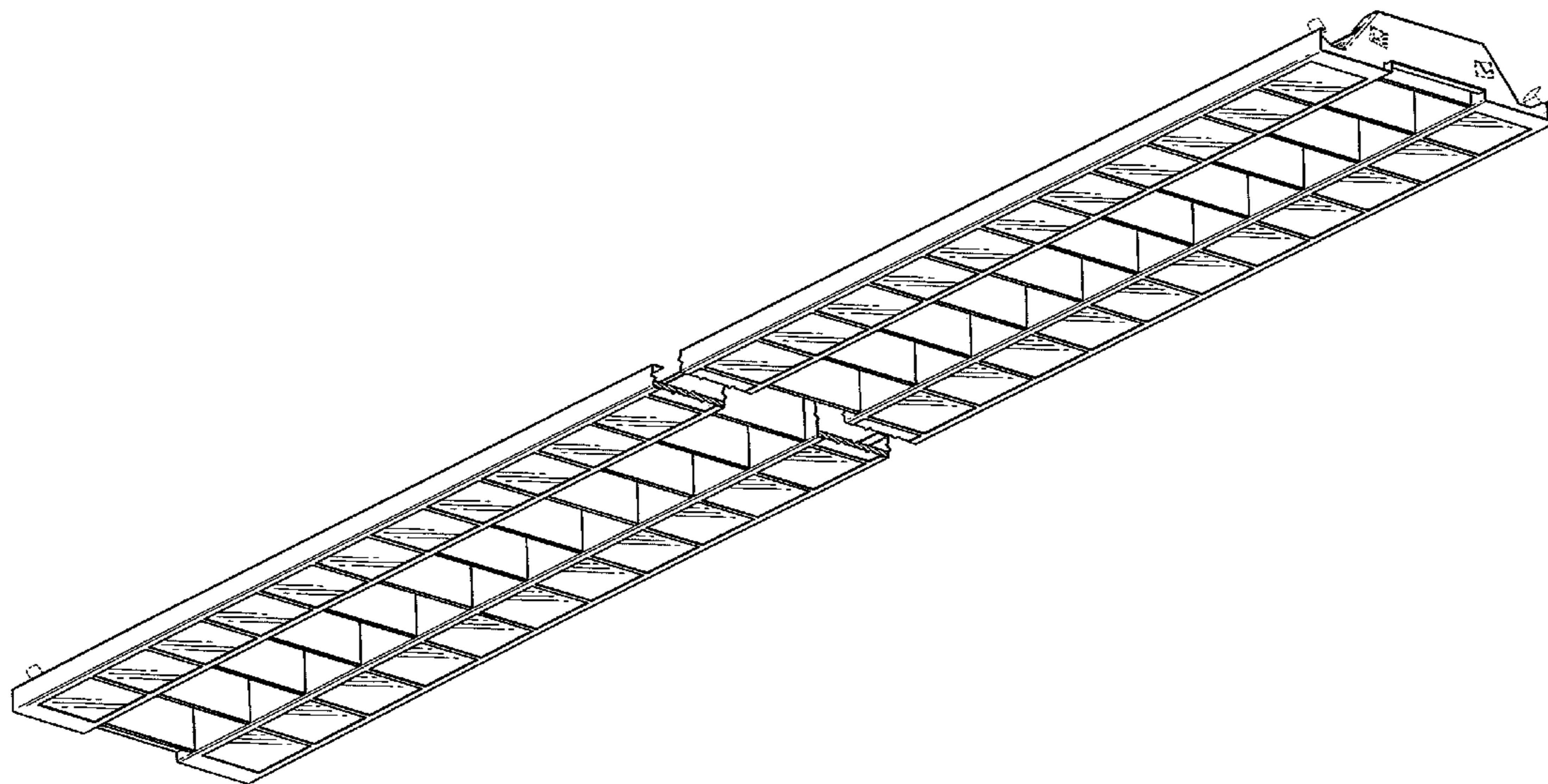
FIG. 2 is a first side view of the design of the present inven-
tion; the second side view, not shown in the drawing disclo-
sure, is a mirror image of the first side view;

FIG. 3 is a bottom view of the design of the present invention;
and,

FIG. 4 is a first end view of the design of the present invention;
the second end view, not shown in the drawing disclosure, is
a mirror image of the first end view.

The broken lines shown are included for the purpose of illus-
trating environmental structures and form no part of the
claimed design. The break in the design defined by jagged
lines indicates that the design is of no specific length.

1 Claim, 3 Drawing Sheets



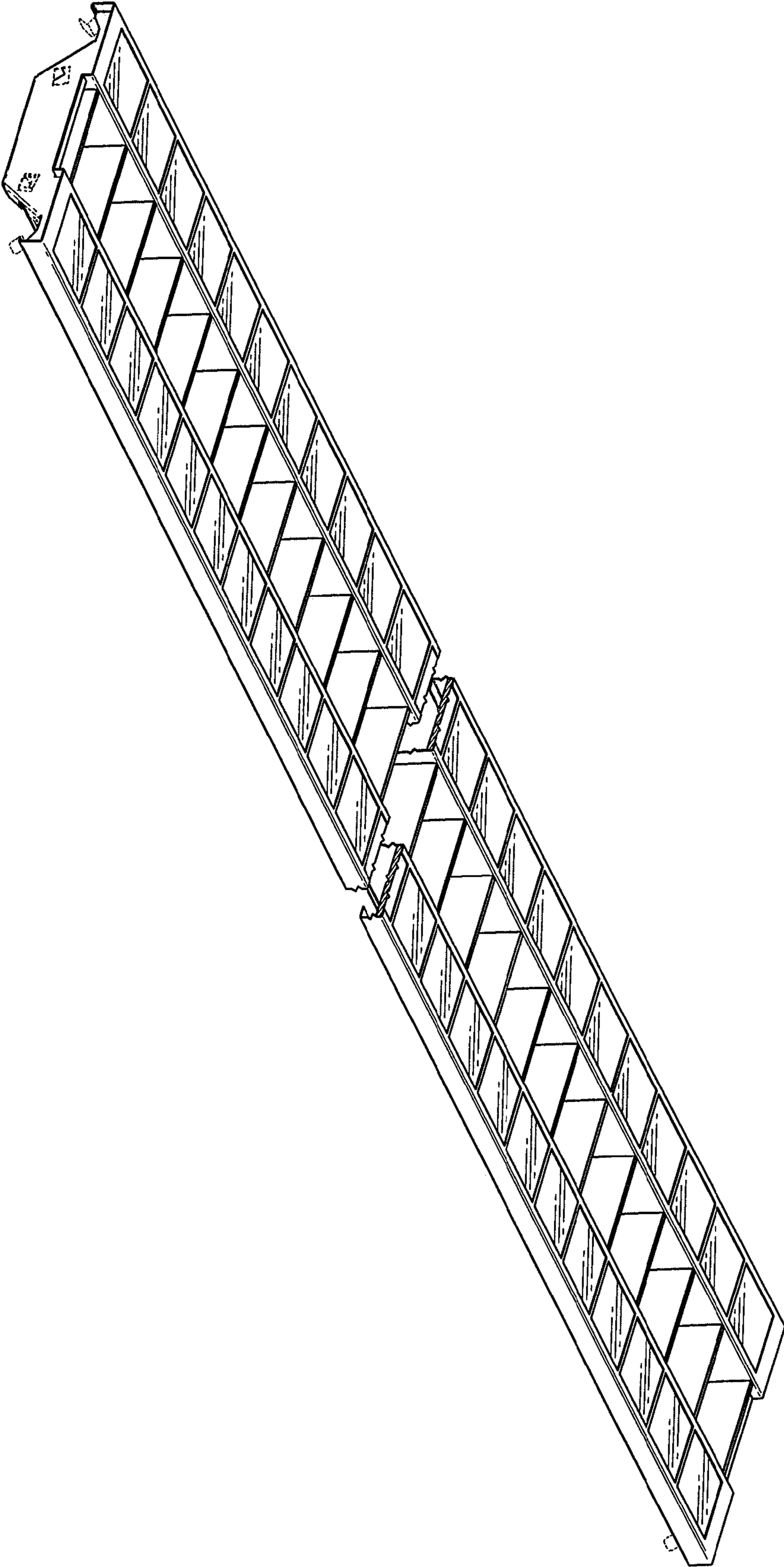


FIG. 1



FIG. 2

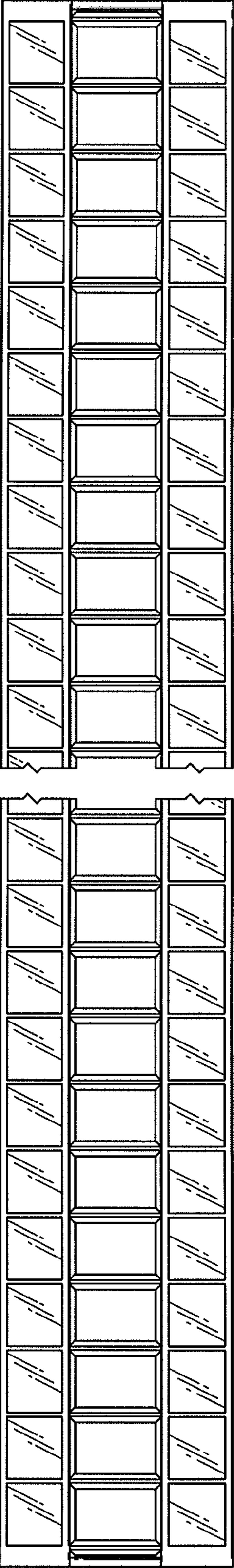


FIG. 3

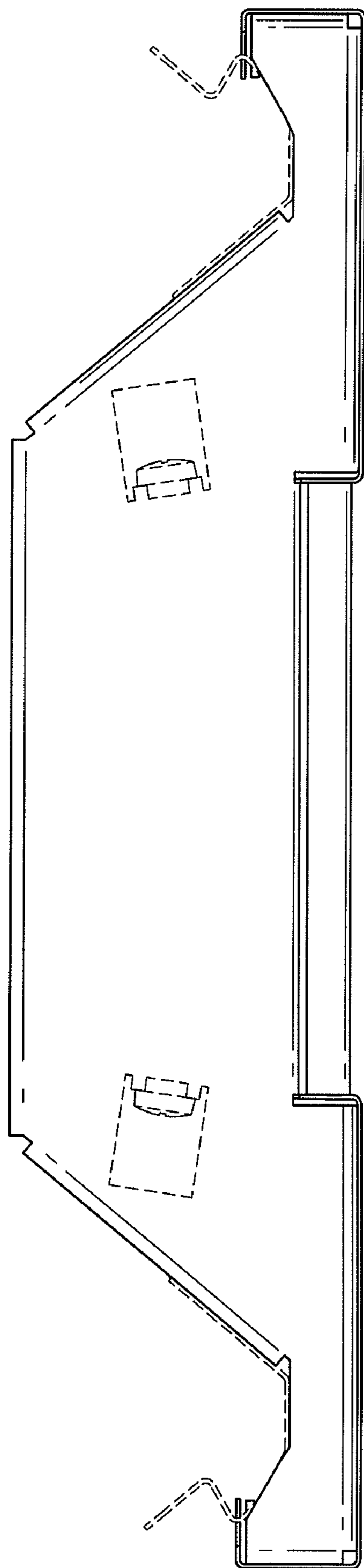


FIG. 4