



US00D600396S

(12) **United States Design Patent**
Luinstra

(10) **Patent No.:** **US D600,396 S**

(45) **Date of Patent:** **** Sep. 15, 2009**

(54) **TUBE LAMP**

(75) Inventor: **Jan Willem Luinstra**, Bunschoten (NL)

(73) Assignee: **TMI (Telemerchandising) B.V.**,
Bunschoten (NL)

(**) Term: **14 Years**

(21) Appl. No.: **29/296,749**

(22) Filed: **Oct. 26, 2007**

(51) **LOC (9) Cl.** **26-03**

(52) **U.S. Cl.** **D26/104**

(58) **Field of Classification Search** D26/24,
D26/26, 67, 93, 104, 105, 106, 118; 362/3,
362/153, 186, 217, 255, 257, 277, 317, 351,
362/353, 362, 363, 382, 431, 433, 458, 806
See application file for complete search history.

(56) **References Cited**

U.S. PATENT DOCUMENTS

| | | | | |
|--------------|---------|----------|-------|---------|
| D370,290 S * | 5/1996 | Papillon | | D26/110 |
| D377,229 S * | 1/1997 | Shalvi | | D26/68 |
| D467,025 S * | 12/2002 | Tinsley | | D26/110 |
| D484,634 S * | 12/2003 | Olson | | D26/104 |
| D485,004 S * | 1/2004 | Olson | | D26/104 |
| D507,374 S * | 7/2005 | Chen | | D26/104 |

* cited by examiner

Primary Examiner—Brian N Vinson

(74) *Attorney, Agent, or Firm*—Hughes Hubbard & Reed
LLP; Ronald Abramson

(57) **CLAIM**

The ornamental design for a tube lamp, as shown and
described.

DESCRIPTION

FIG. 1 is an exploded perspective view of my new tube lamp
design, showing separately a cap, a tube and a base;

FIG. 2 is a perspective view of the tube lamp;

FIG. 3 is a top view of the base;

FIG. 4 is a bottom view of the base;

FIG. 5 is a side view of the base;

FIG. 6 is a perspective view of the base;

FIG. 7 is a top view of the cap;

FIG. 8 is a bottom view of the cap;

FIG. 9 is a side view of the cap,

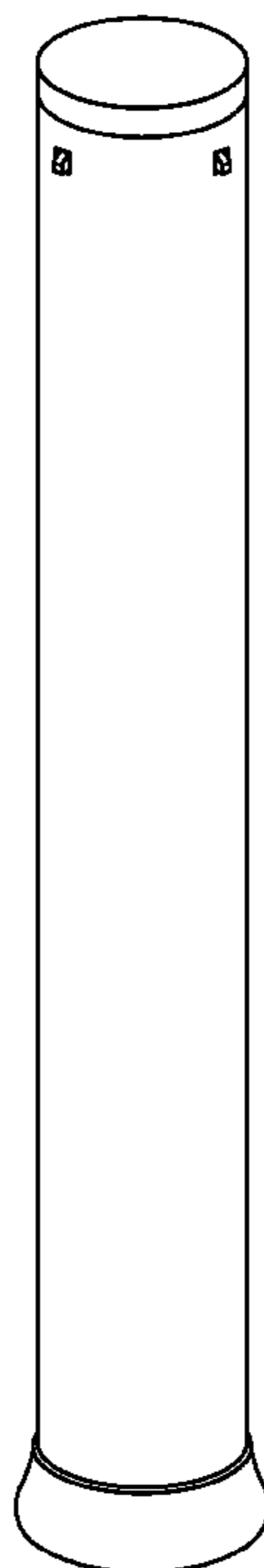
FIG. 10 is a perspective view of the cap;

FIG. 11 is a side view of the tube lamp; and,

FIG. 12 is a side view of the tube.

The broken lines in FIGS. 1, 3, 4 and 6 are for illustrative
purposes only and form no part of the claimed design.

1 Claim, 4 Drawing Sheets



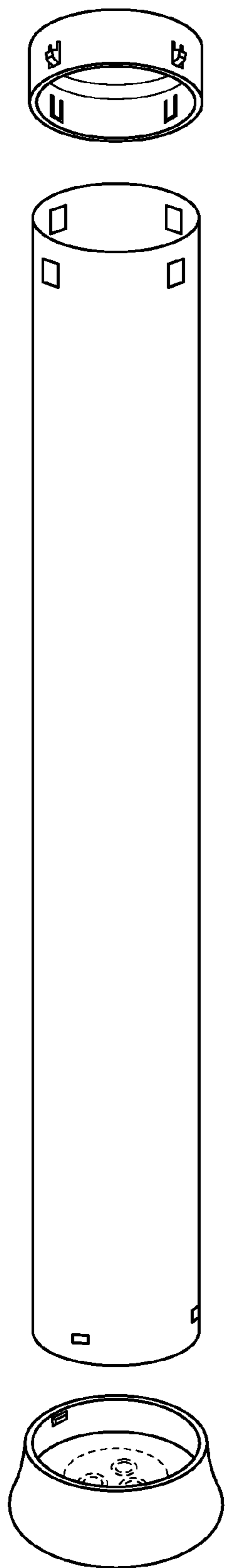


Fig. 1

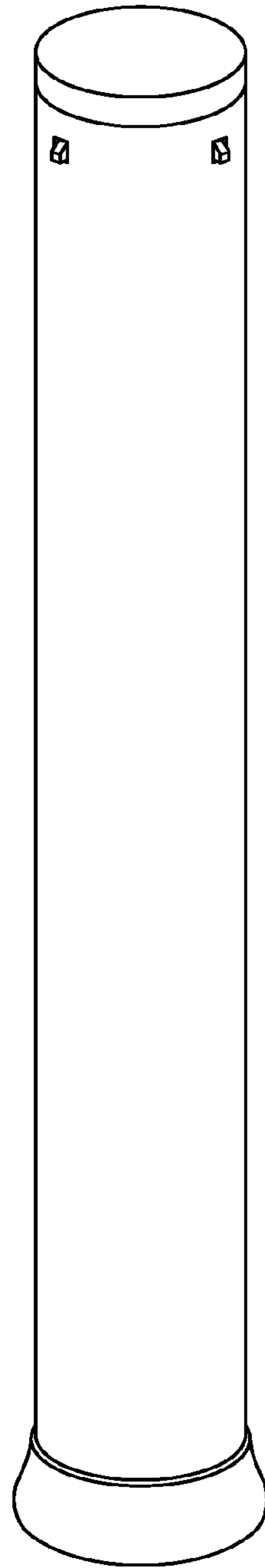


Fig. 2

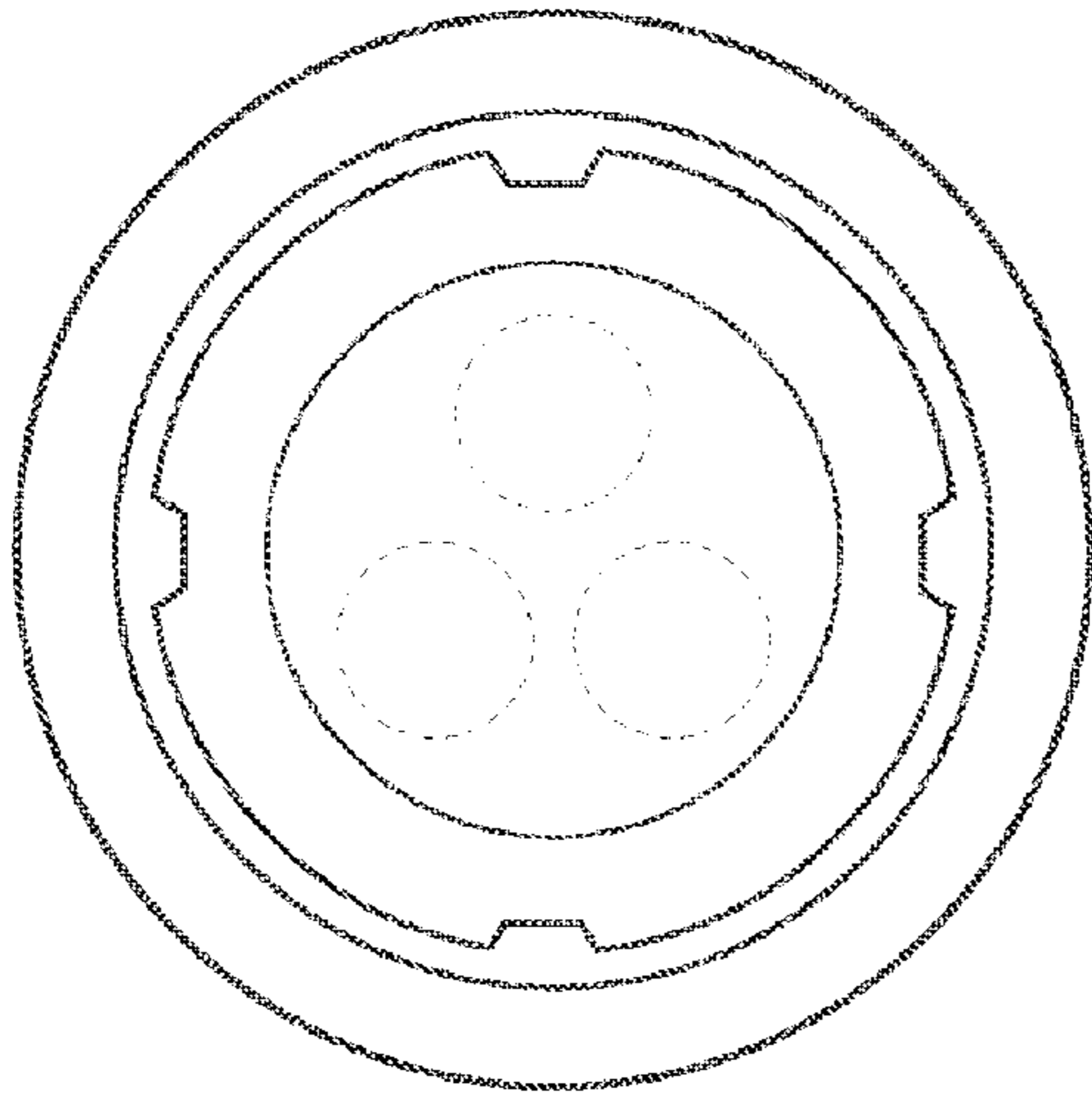


Fig. 3

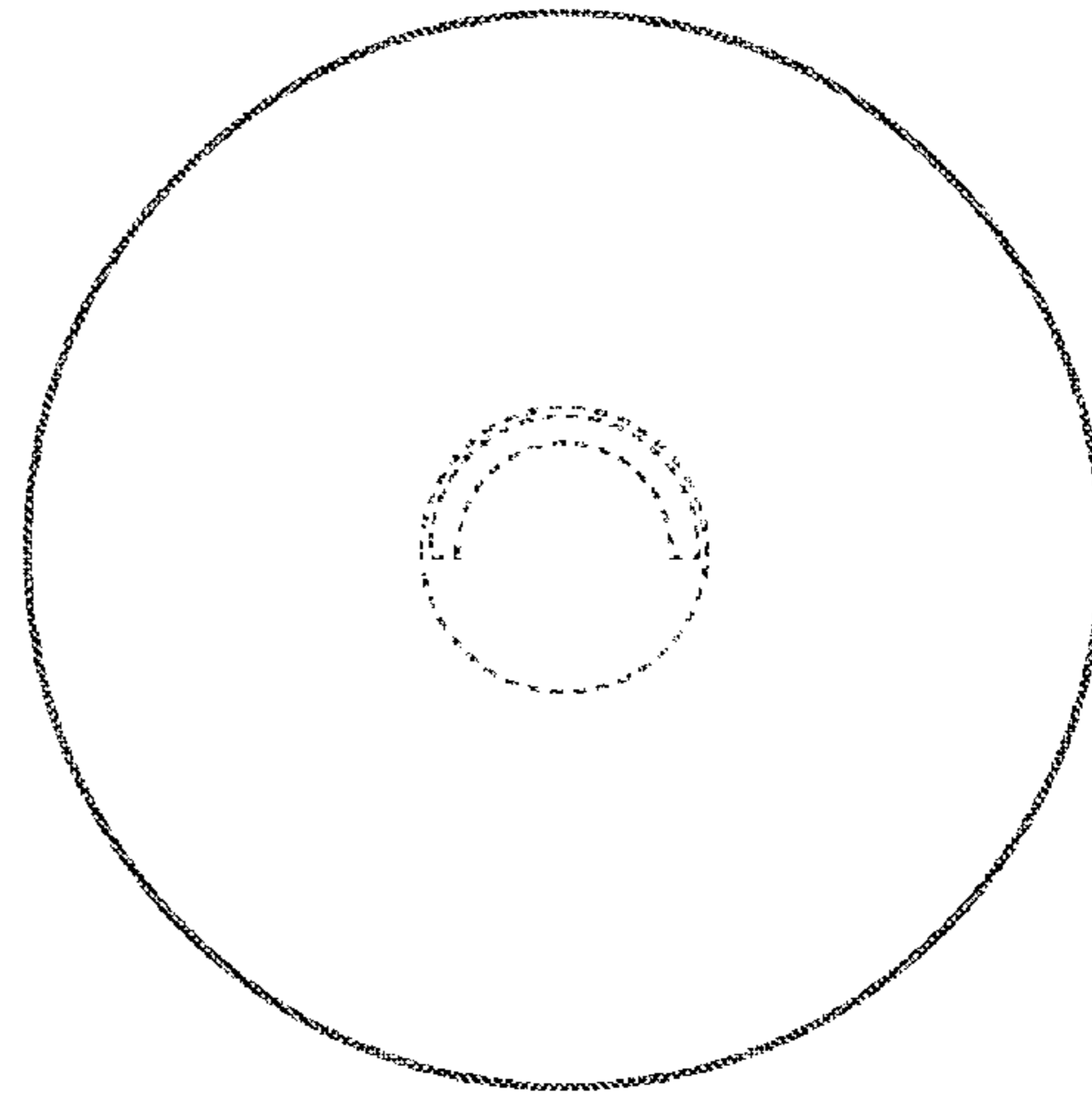


Fig. 4



Fig. 5

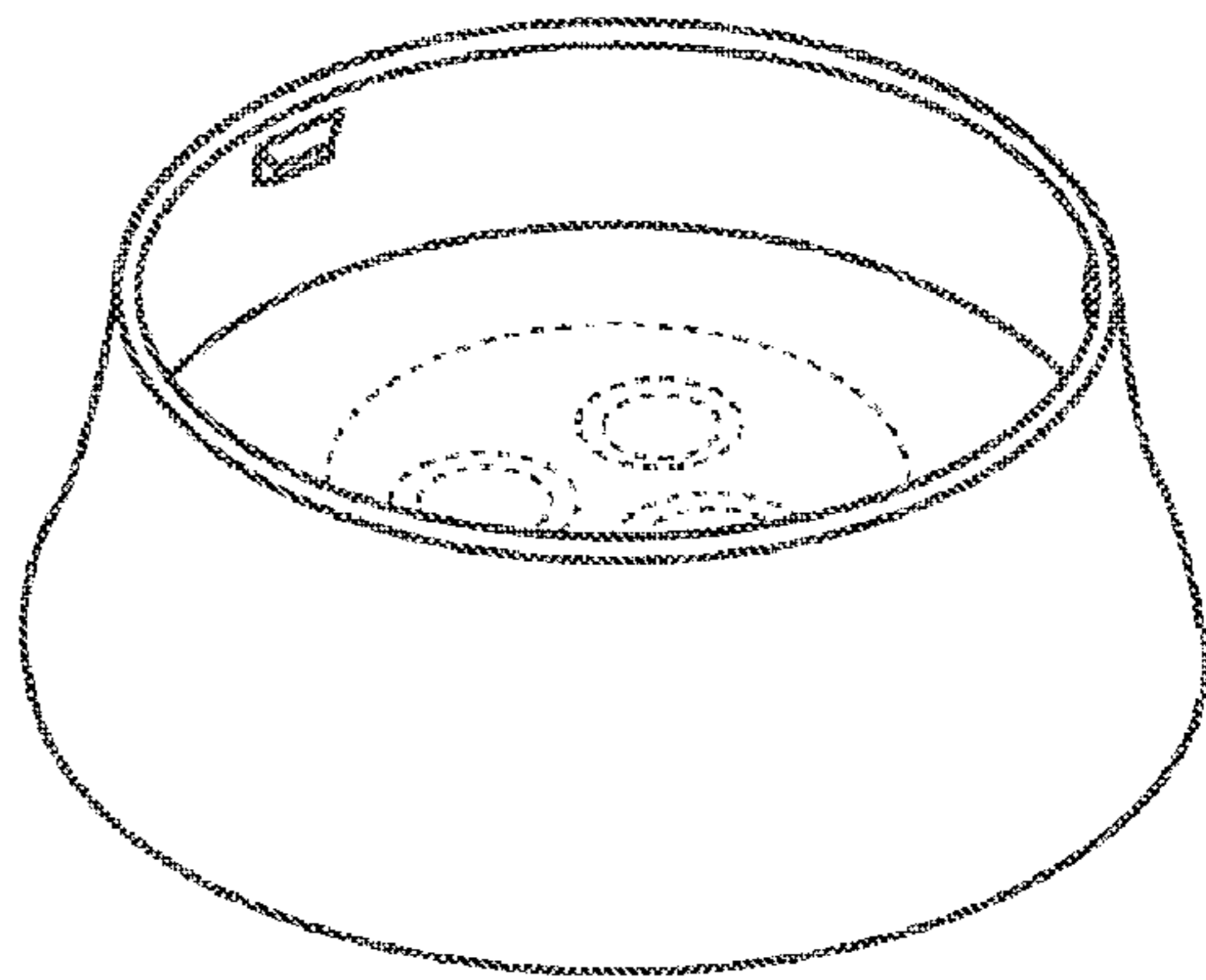


Fig. 6

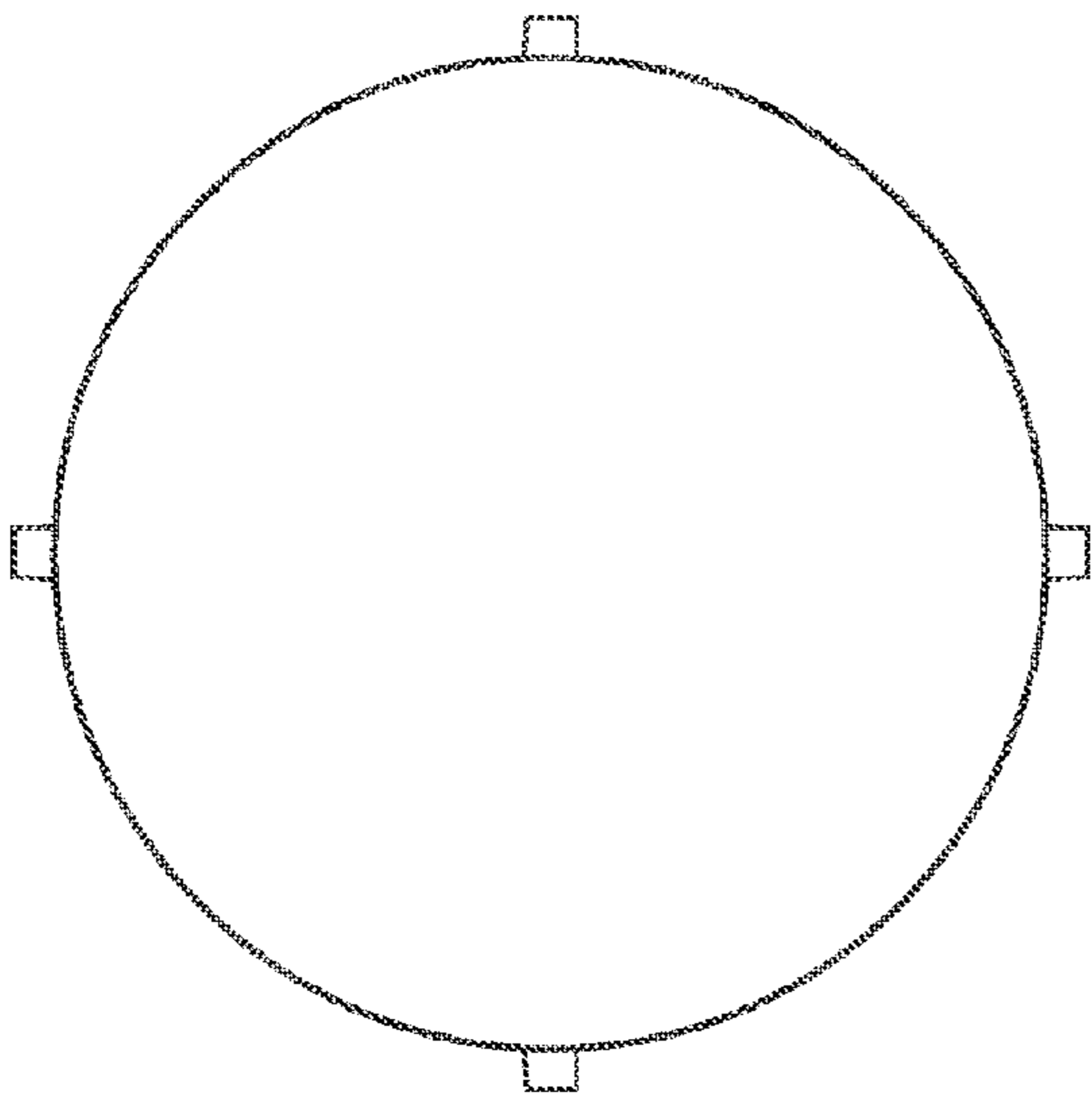


Fig. 7

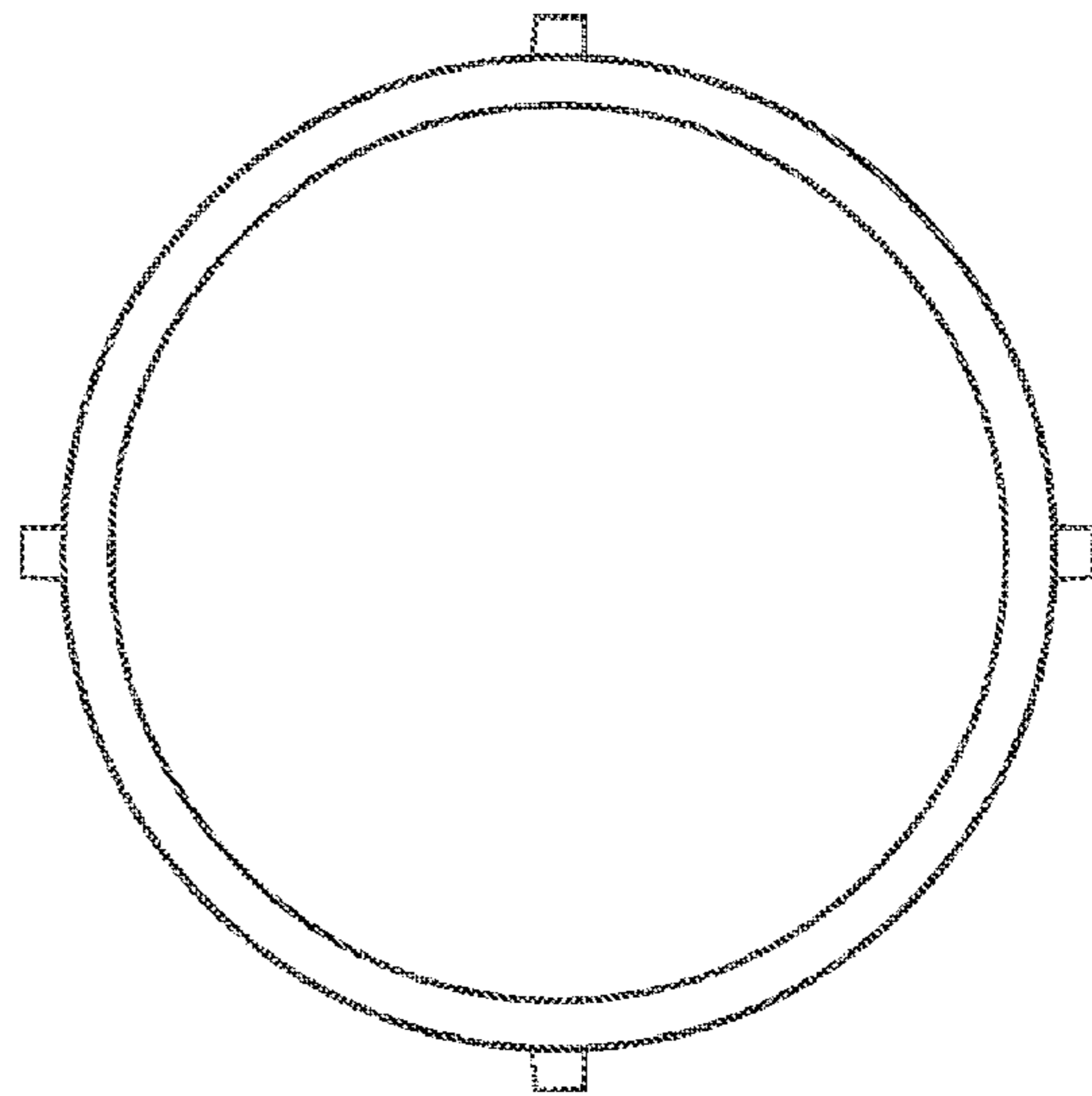


Fig. 8



Fig. 9

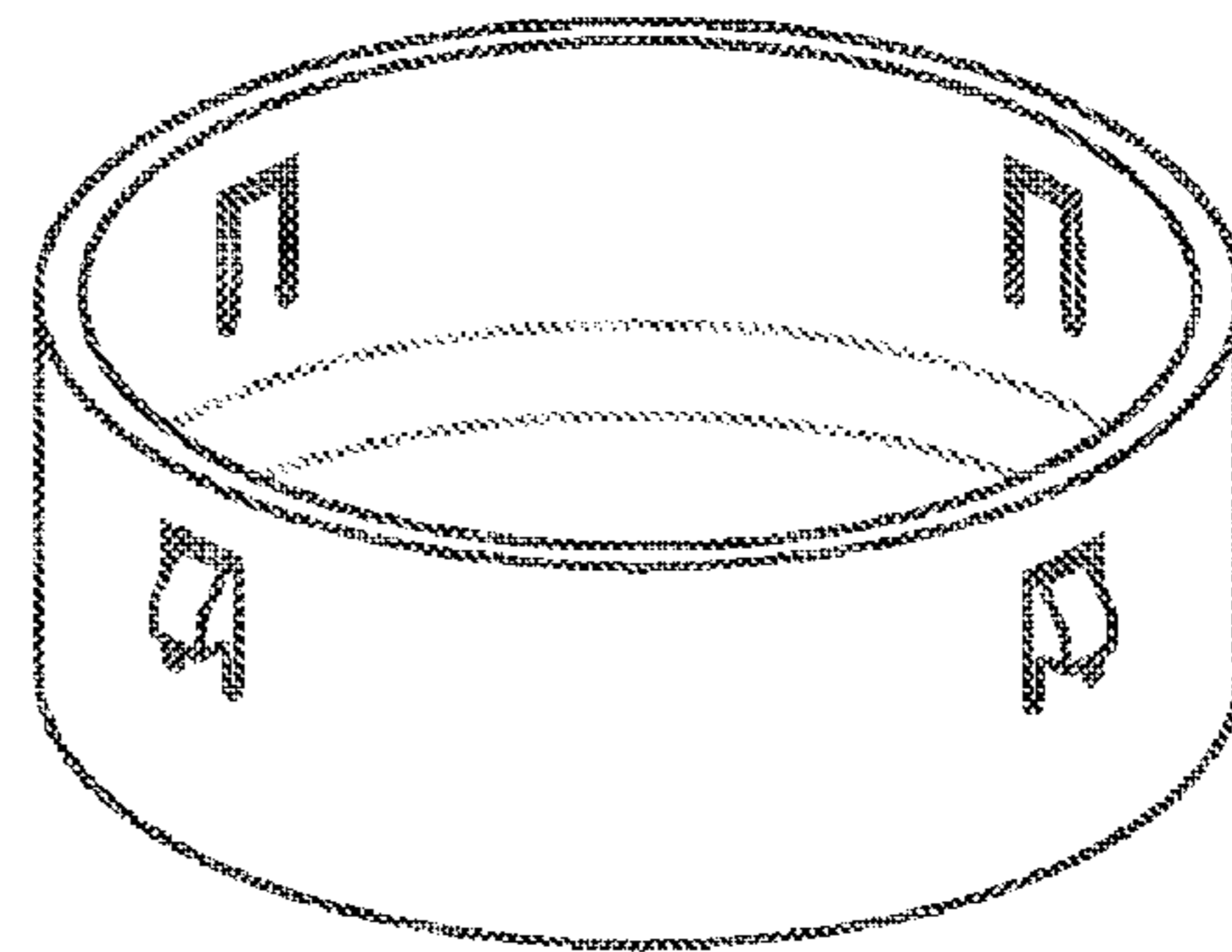


Fig. 10

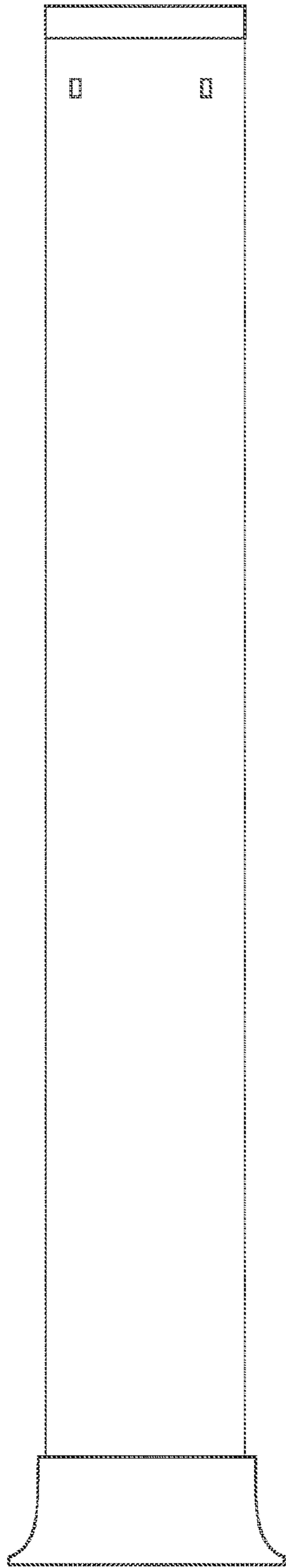


Fig. 11

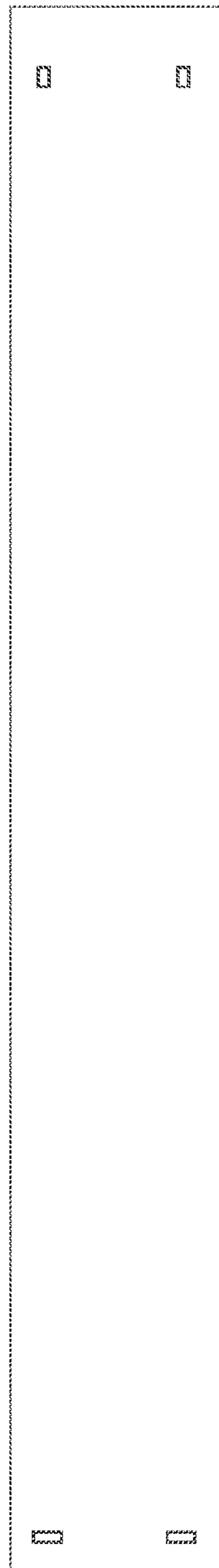


Fig. 12