



US00D600395S

(12) **United States Design Patent**
Salatto-Rose

(10) **Patent No.:** **US D600,395 S**

(45) **Date of Patent:** **** Sep. 15, 2009**

(54) **LAMP**

(75) Inventor: **Darlene Salatto-Rose**, Hickory, NC
(US)

(73) Assignee: **Robert Abbey Inc.**, Hickory, NC (US)

(**) Term: **14 Years**

(21) Appl. No.: **29/329,182**

(22) Filed: **Dec. 10, 2008**

(51) **LOC (9) Cl.** **23-03**

(52) **U.S. Cl.** **D26/93**

(58) **Field of Classification Search** D26/1,
D26/24, 67, 93-94, 101, 104-110, 113, 118;
362/3, 153, 186, 217, 255, 257, 277, 317,
362/351, 353, 362, 363, 382, 431, 433, 458,
362/806

See application file for complete search history.

(56) **References Cited**

U.S. PATENT DOCUMENTS

D431,315 S * 9/2000 Sekine et al. D26/93

D553,788 S * 10/2007 Holmes D26/93

* cited by examiner

Primary Examiner—Brian N Vinson

(74) *Attorney, Agent, or Firm*—Alston & Bird LLP

(57) **CLAIM**

The ornamental design for a lamp, as shown and described.

DESCRIPTION

FIG. 1 is a perspective front view of a lamp showing my new design;

FIG. 2 is a front elevational view thereof, the rear side being a mirror image;

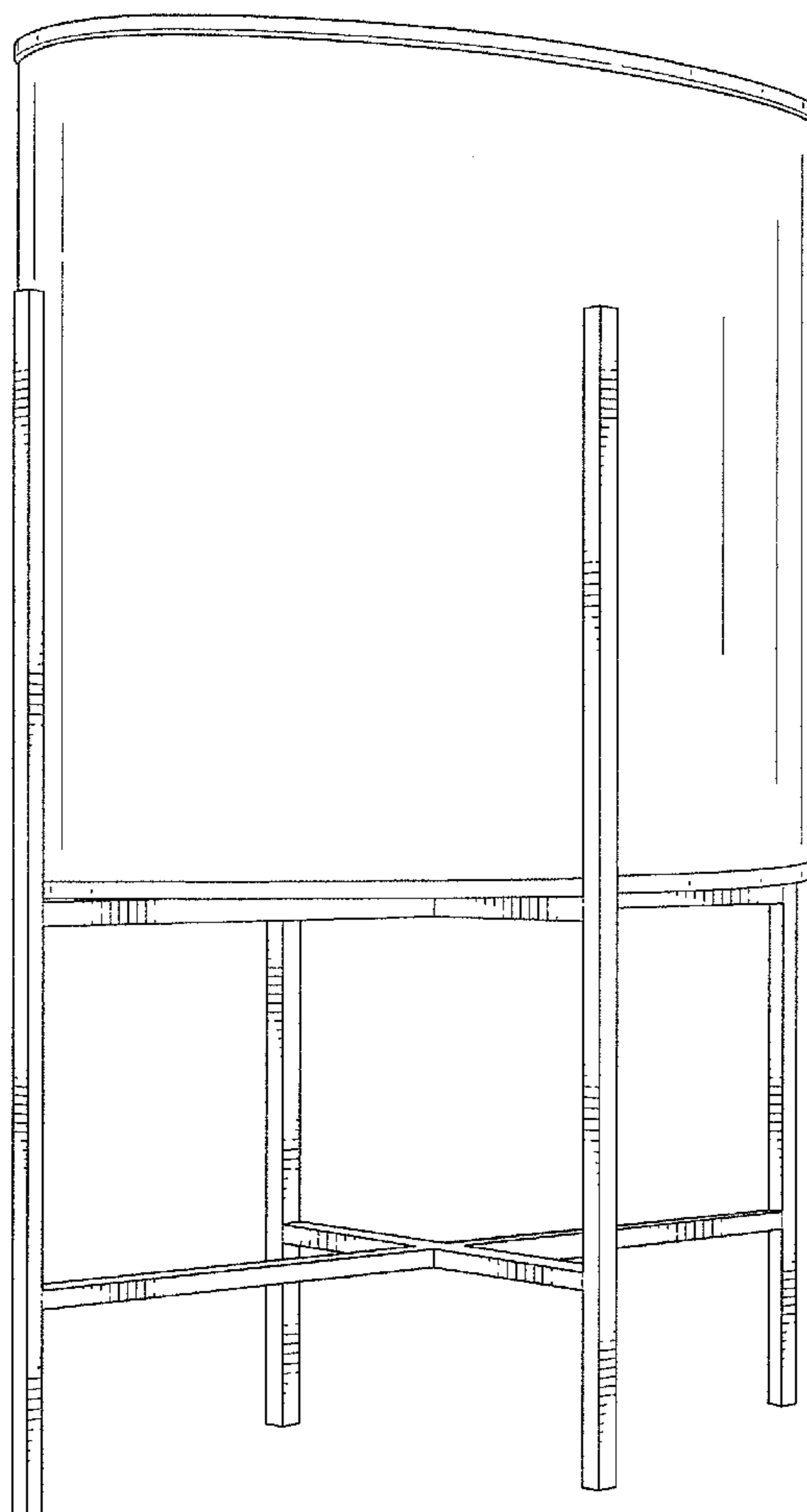
FIG. 3 is a top plan view thereof;

FIG. 4 is a bottom plan view thereof; and,

FIG. 5 is a right side view thereof, the left side being a mirror image.

The broken line showing of environmental structure is for illustrative purposes and does not form a part of the claimed design.

1 Claim, 5 Drawing Sheets



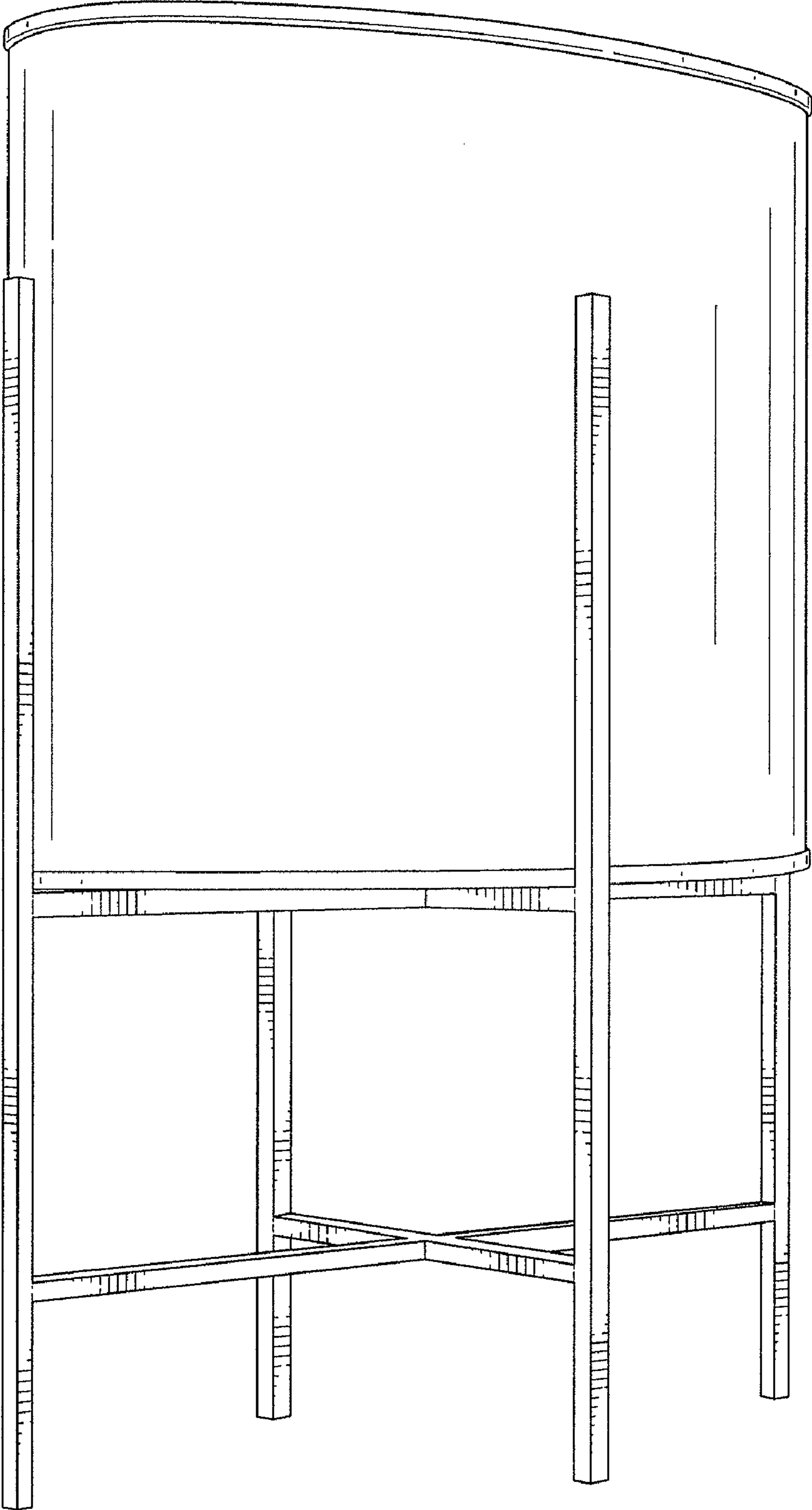


FIG. 1

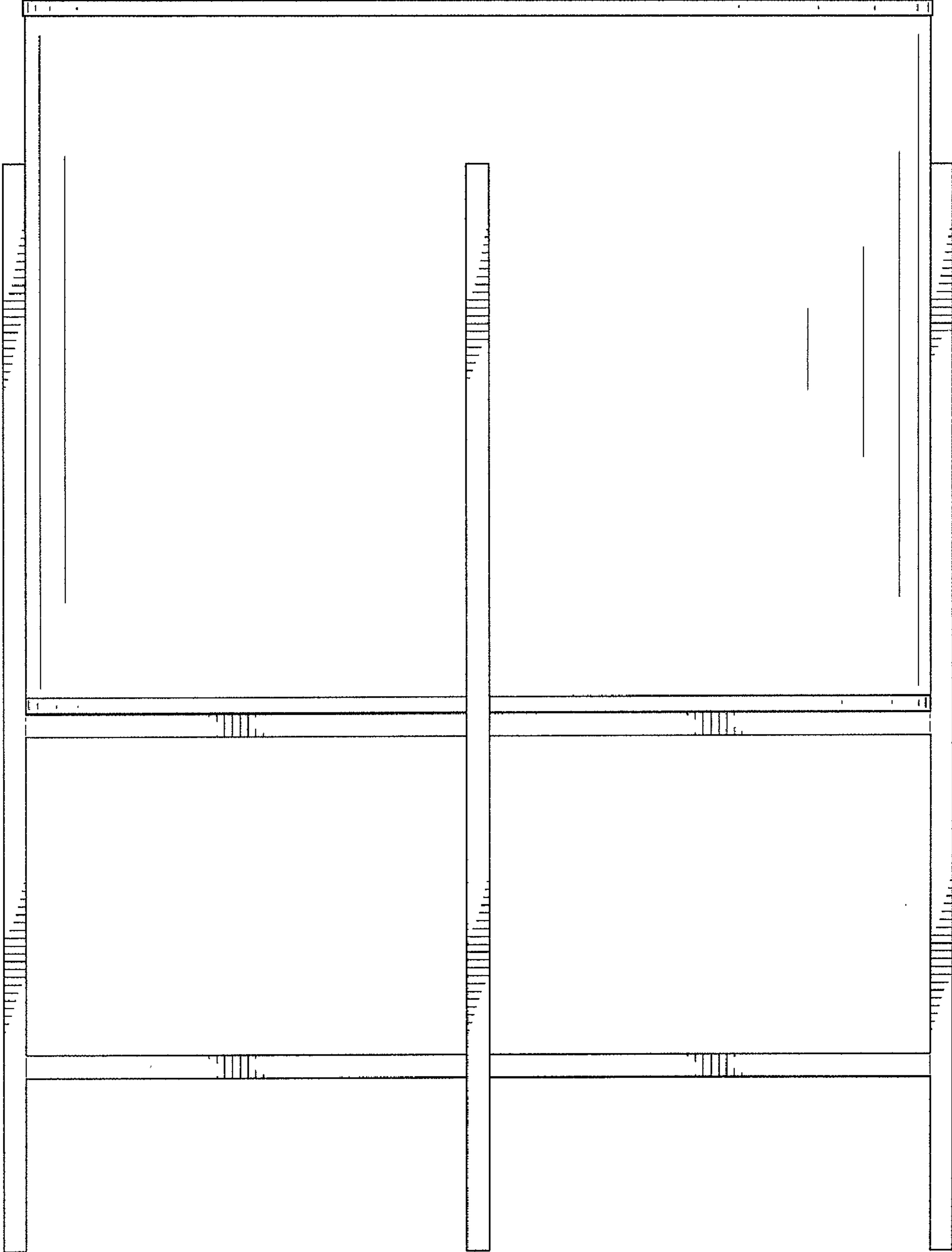


FIG. 2

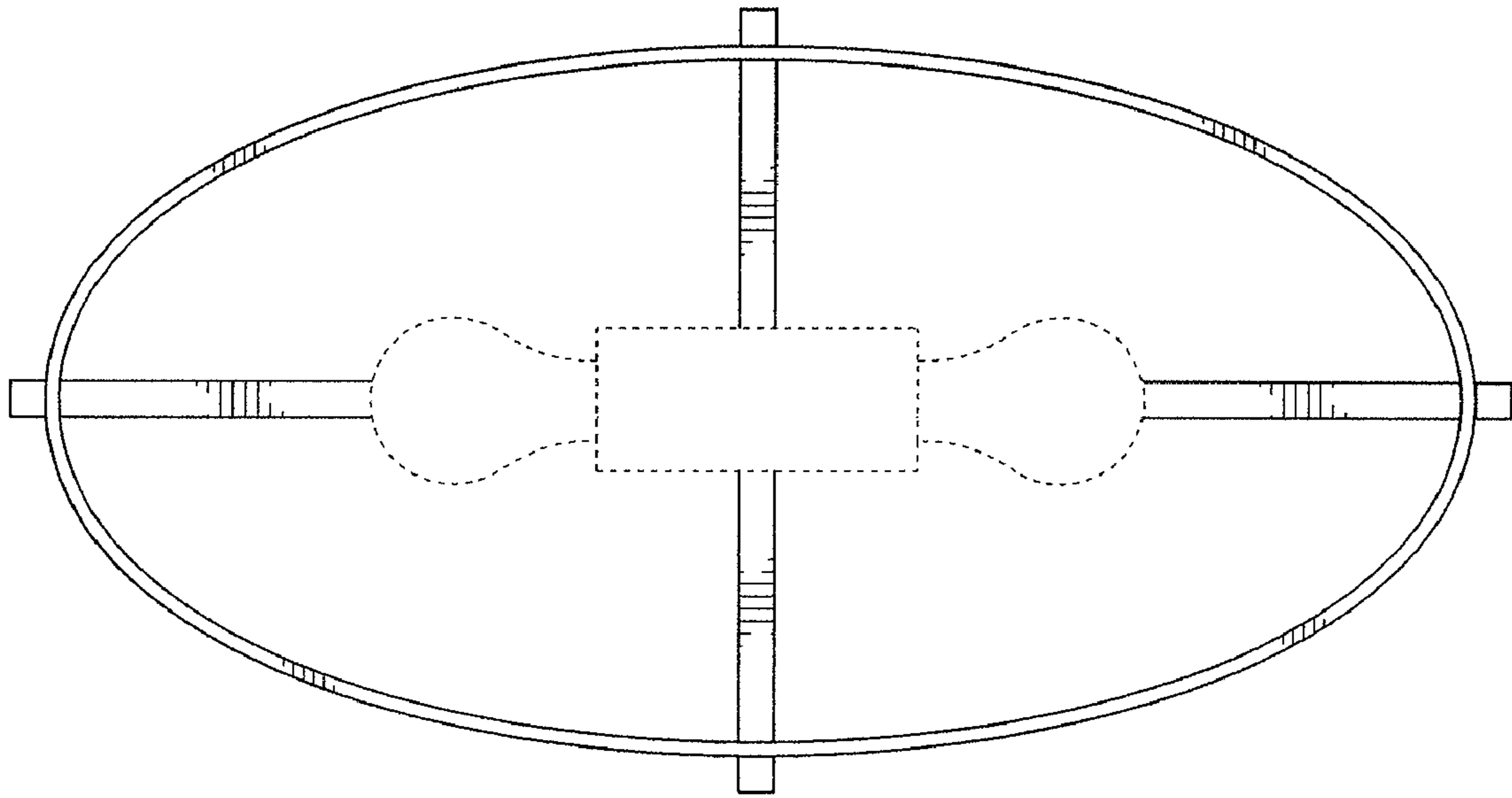


FIG. 3

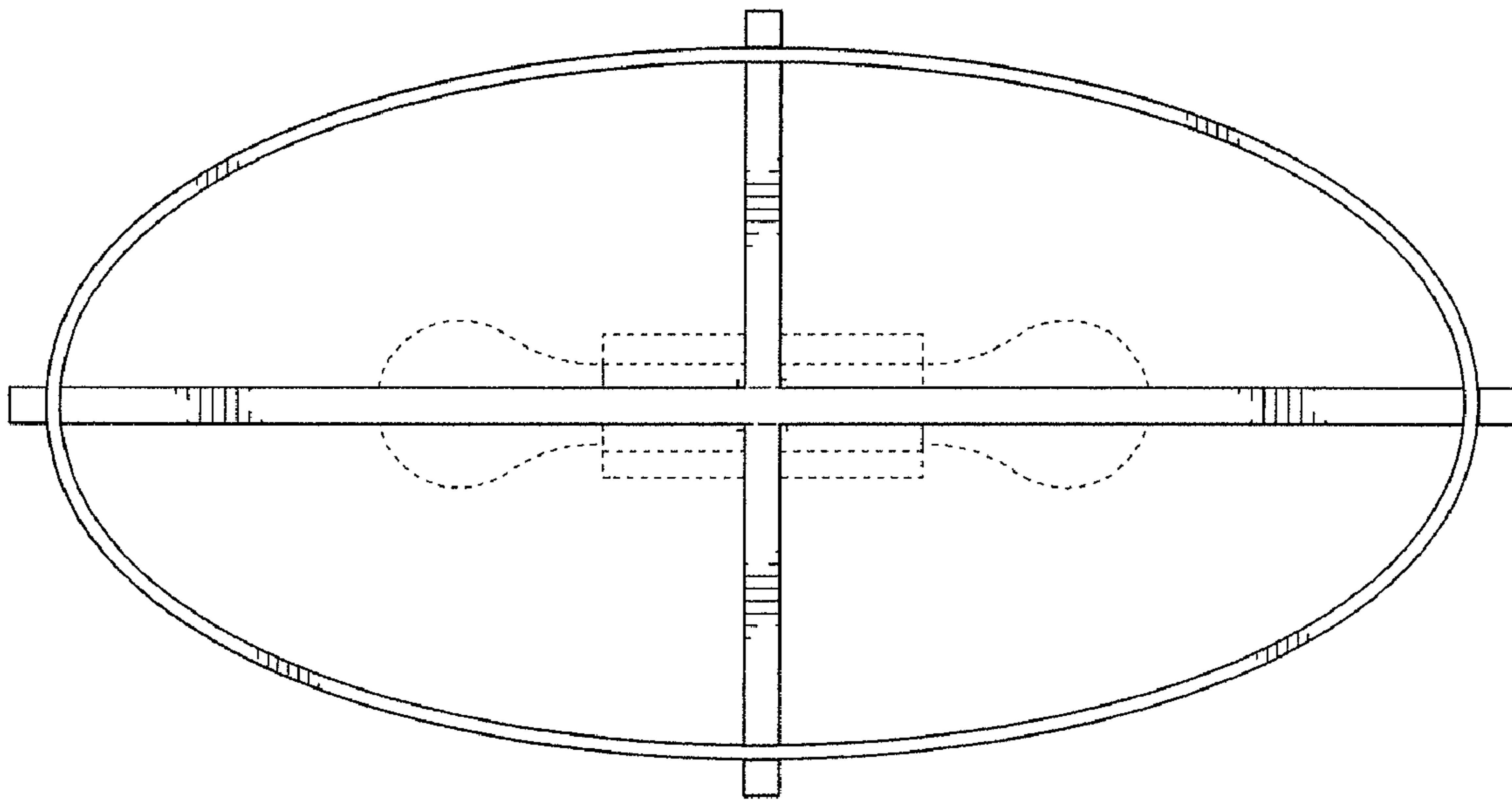


FIG. 4

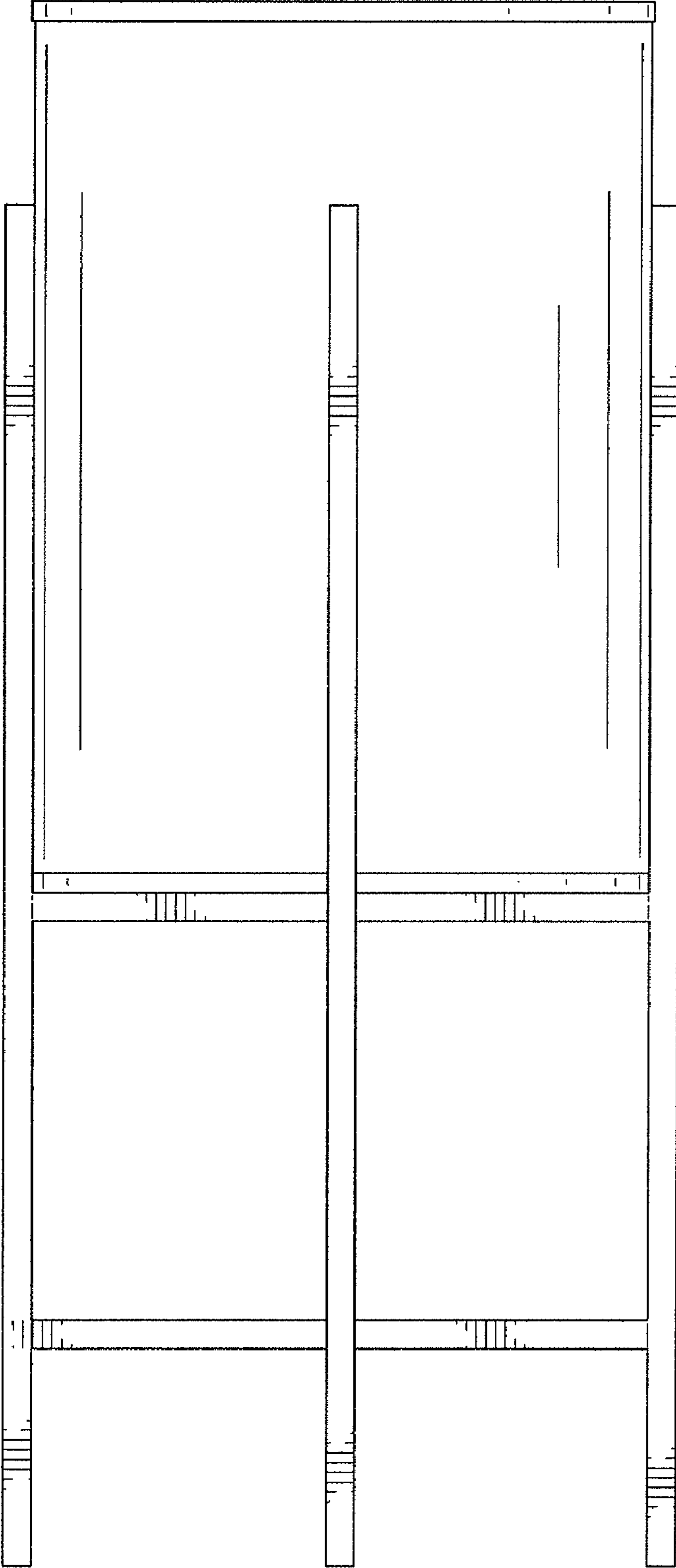


FIG. 5