



US00D600394S

(12) **United States Design Patent**  
**Ambrüster**

(10) **Patent No.:** **US D600,394 S**

(45) **Date of Patent:** **\*\* Sep. 15, 2009**

(54) **OLED LUMINAIRE**

(75) Inventor: **Till Ambrüster**, Köln (DE)

(73) Assignee: **Koninklijke Philips Electronics N.V.**,  
Eindhoven (NL)

(\*\*) Term: **14 Years**

(21) Appl. No.: **29/327,768**

(22) Filed: **Nov. 13, 2008**

(30) **Foreign Application Priority Data**

May 13, 2008 (EM) ..... 000932330-0002

(51) **LOC (9) Cl.** ..... **26-03**

(52) **U.S. Cl.** ..... **D26/91; D26/90**

(58) **Field of Classification Search** ..... D26/75,  
D26/76, 79, 81, 83, 84, 85, 86, 88-91, 118,  
D26/138, 141; 362/147, 404-408  
See application file for complete search history.

(56) **References Cited**

**U.S. PATENT DOCUMENTS**

2,022,078 A \* 11/1935 Dorey ..... 362/339  
D123,757 S \* 12/1940 Dreyfuss ..... D26/76  
2,341,895 A \* 2/1944 Beck ..... 362/221  
D139,670 S \* 12/1944 Lippincott ..... D26/76  
D203,405 S \* 1/1966 Crawford ..... D26/90

D294,067 S \* 2/1988 Ambasz ..... D26/76  
D321,409 S \* 11/1991 Bischof et al. .... D26/91  
D468,474 S \* 1/2003 Poulton ..... D26/90  
D514,731 S \* 2/2006 Engel ..... D26/88  
D536,468 S \* 2/2007 Crosby ..... D26/84  
D537,187 S \* 2/2007 Lucatello ..... D26/84

**OTHER PUBLICATIONS**

“Barcelona” pendant model #20261-10 shown on p. 178 of the ET2 Lighting online catalog. © 2007.\*

Article by Hank Green titled “The World’s First OLED Lamp” at ecogeek.org on Apr. 7, 2008. (pa1 and 2 of 10).\*

\* cited by examiner

*Primary Examiner*—Clare E Heflin

(57) **CLAIM**

The ornamental design for a OLED luminaire, as shown.

**DESCRIPTION**

FIG. 1 is a perspective view showing my design;

FIG. 2 is a front elevational view thereof;

FIG. 3 is a rear elevational view thereof,

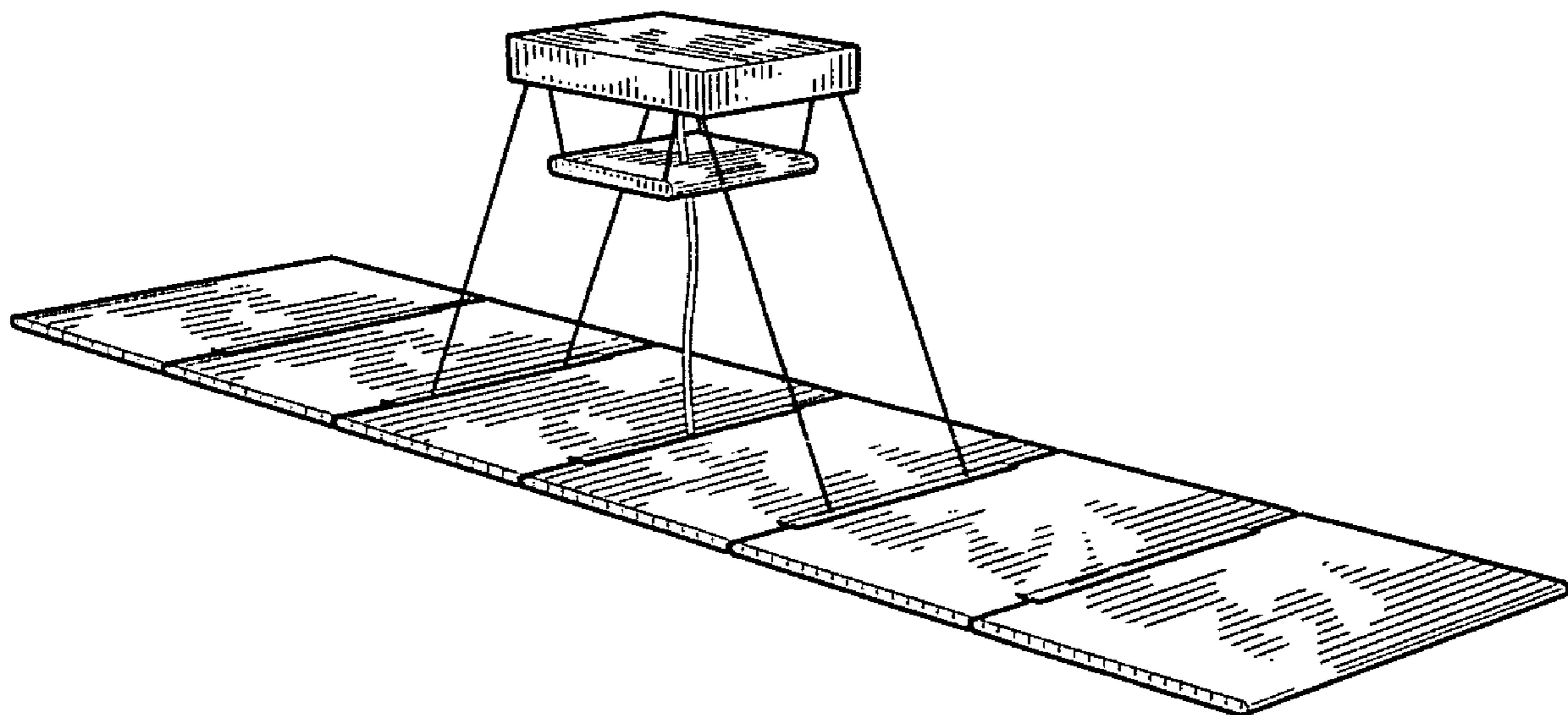
FIG. 4 is a right side elevational view thereof;

FIG. 5 is a left side elevational view thereof;

FIG. 6 is a top plan view thereof; and,

FIG. 7 is a bottom plan view thereof.

**1 Claim, 4 Drawing Sheets**



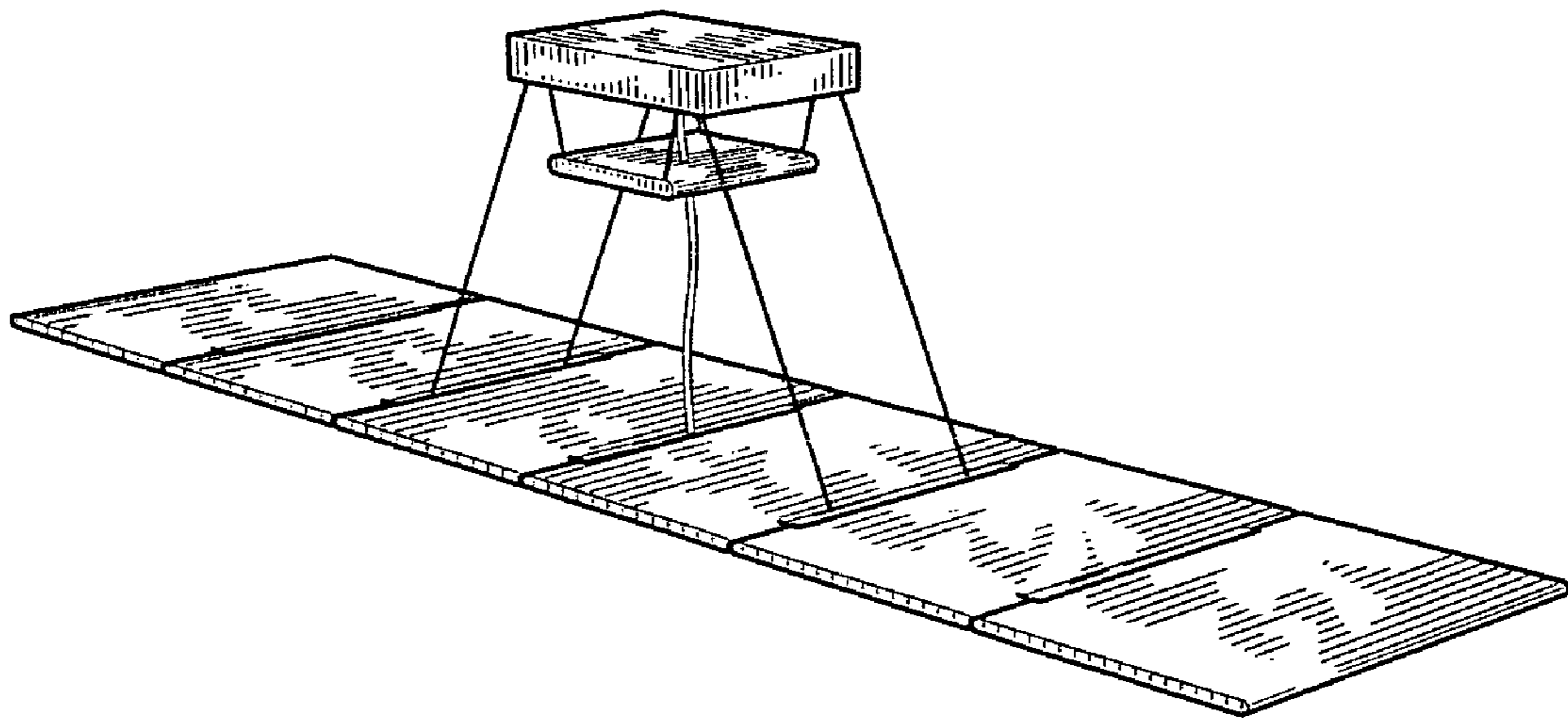


FIG.1

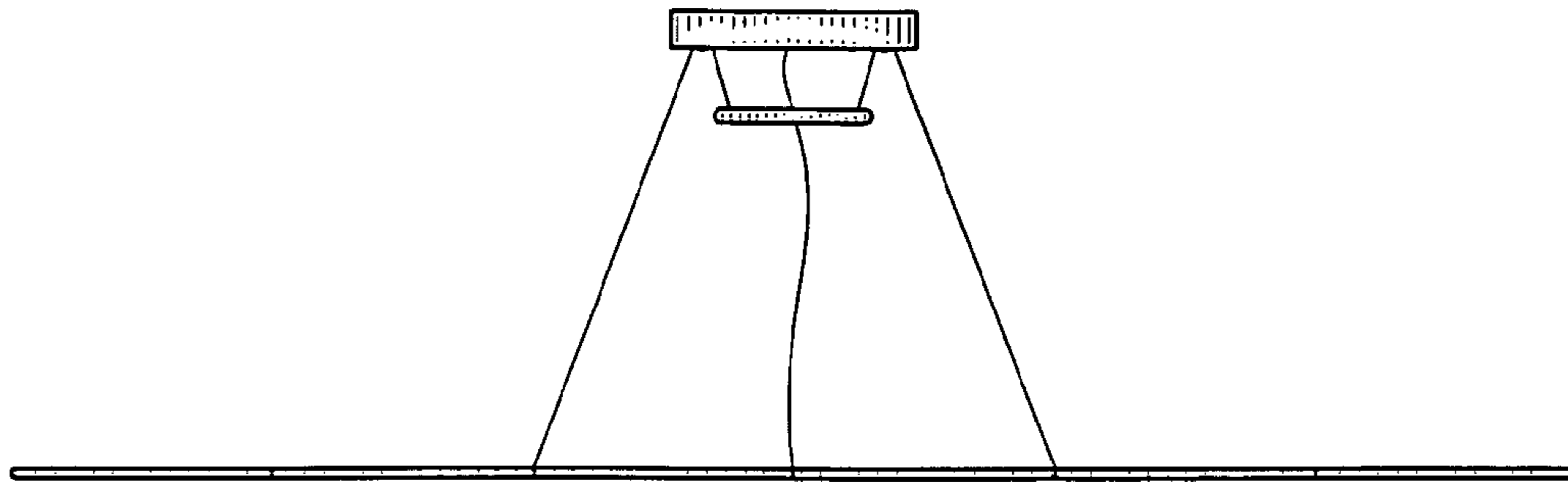


FIG. 2

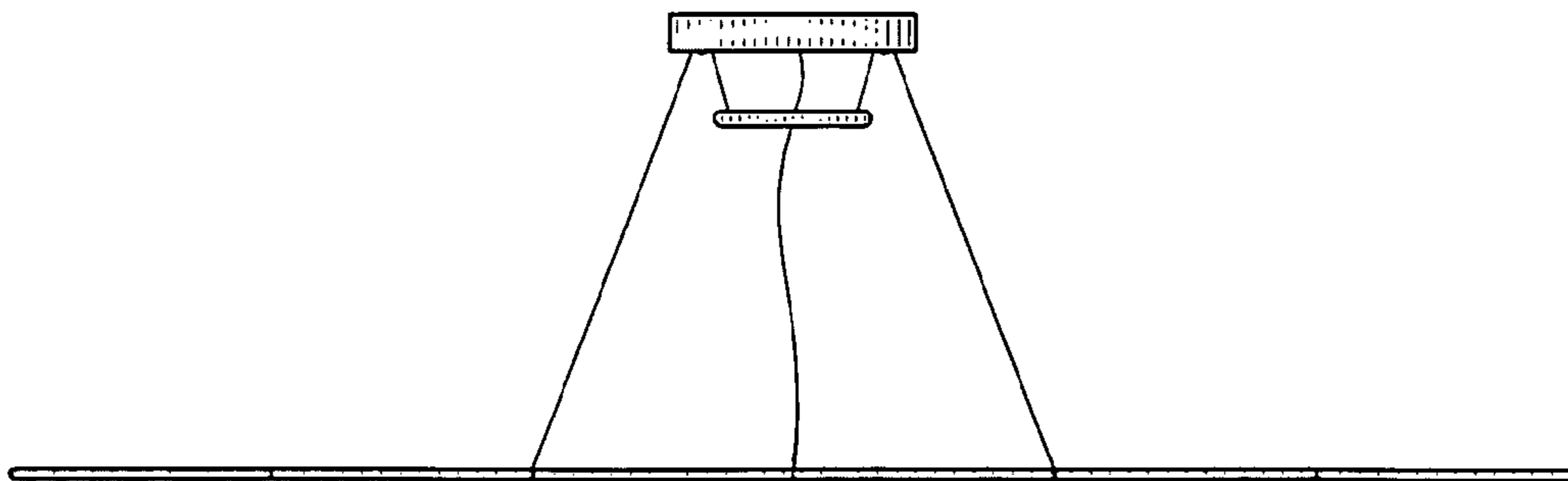


FIG. 3

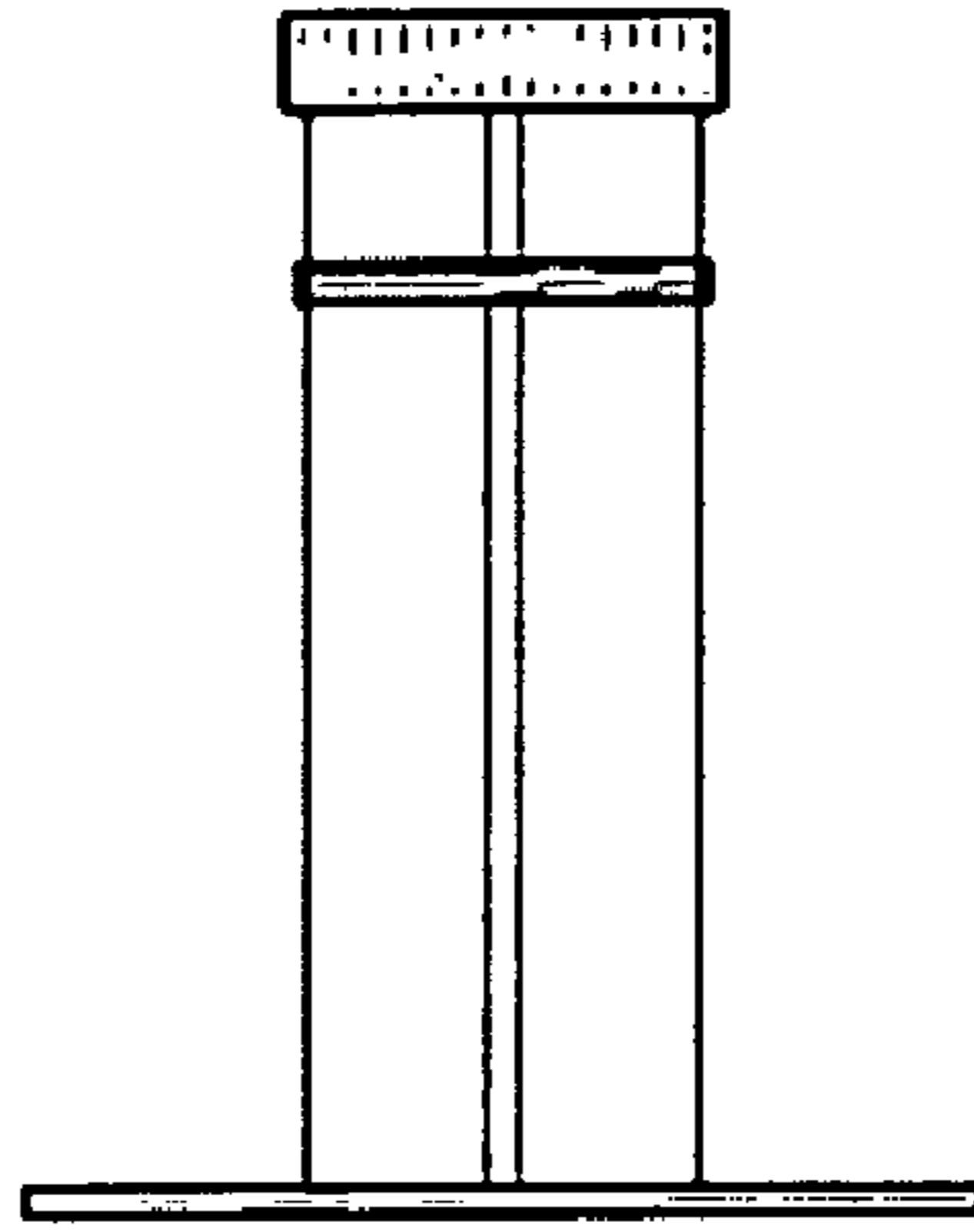


FIG. 4

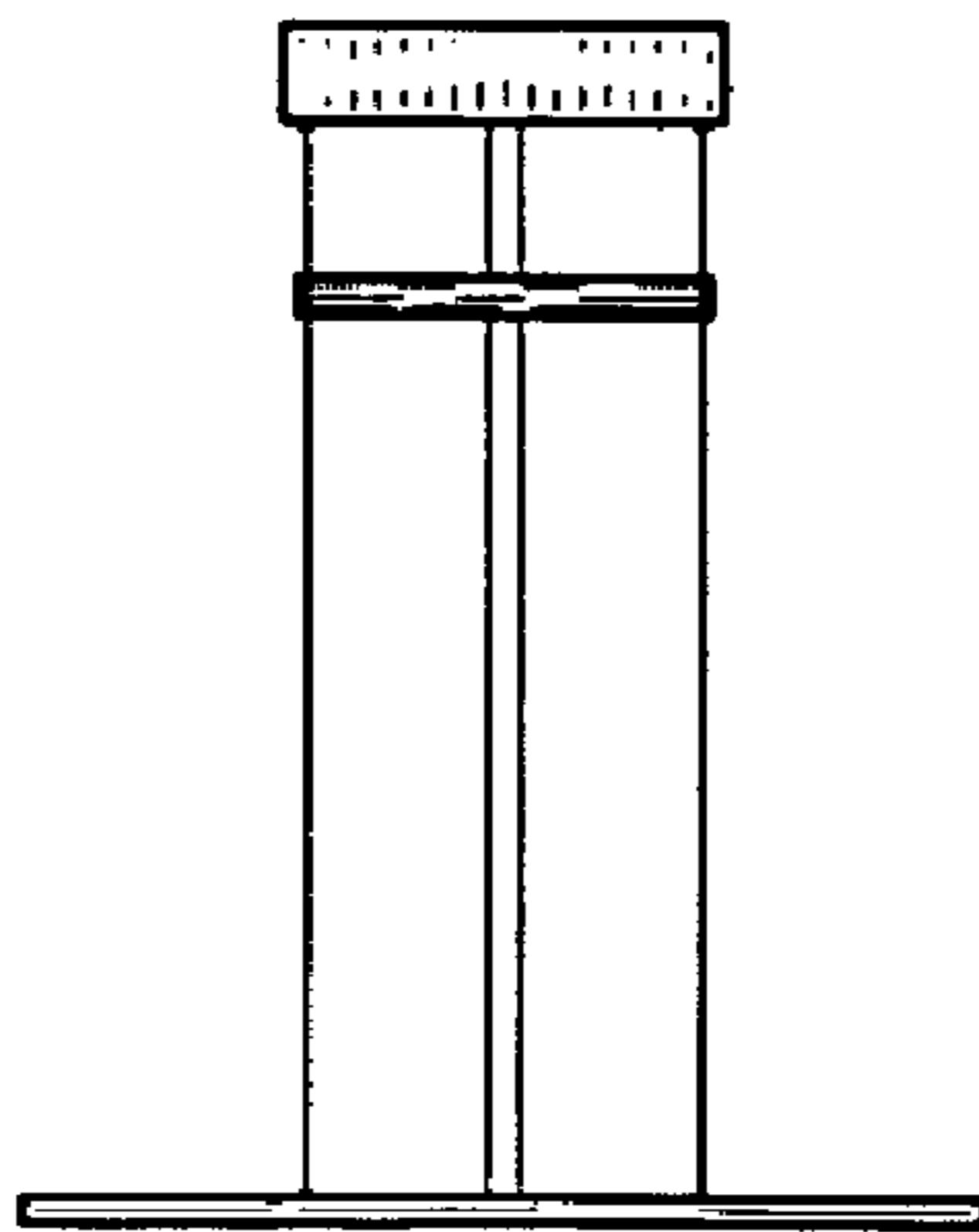


FIG. 5

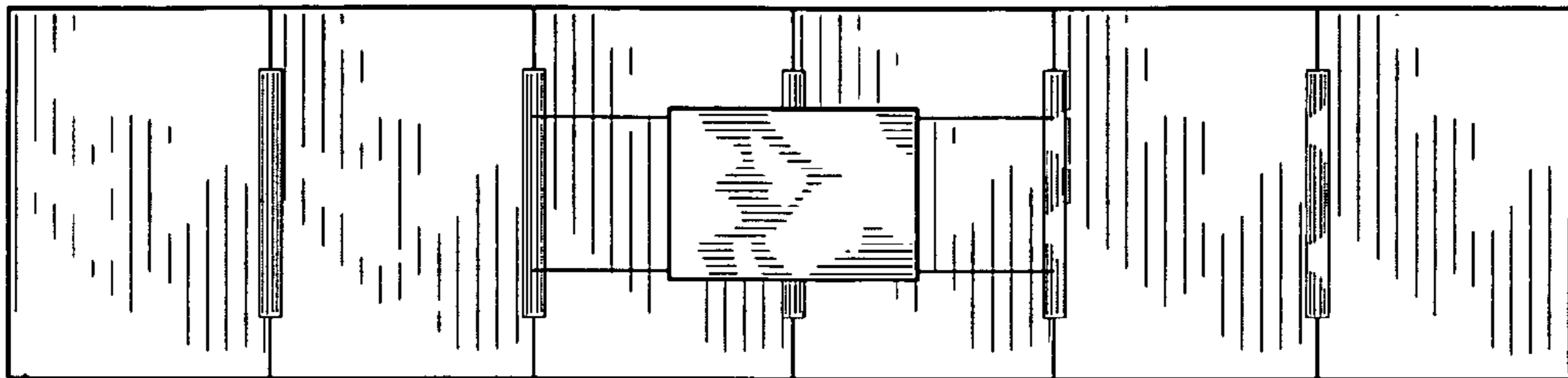


FIG. 6

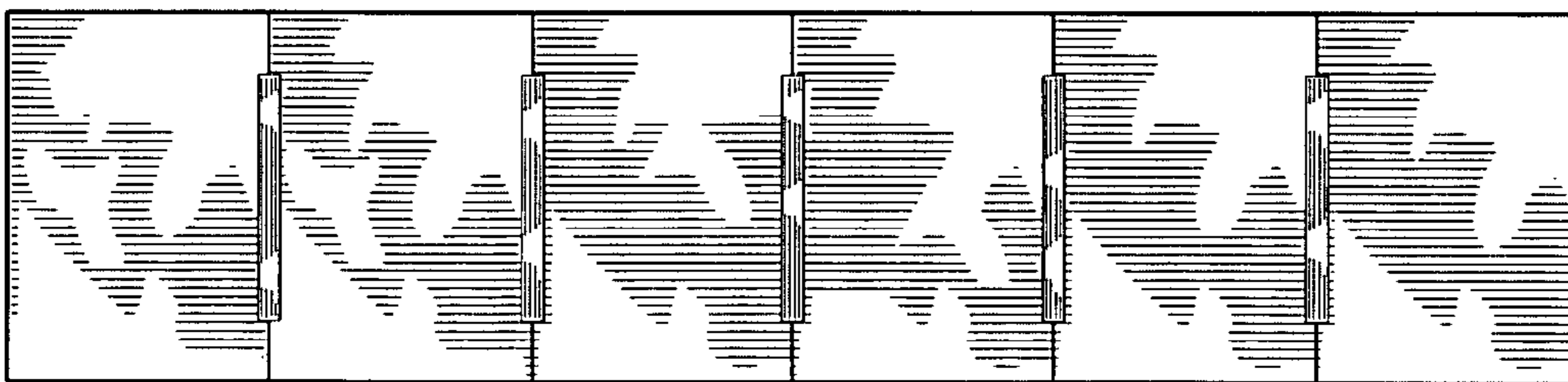


FIG. 7