



US00D600392S

(12) **United States Design Patent**  
**Ling et al.**

(10) **Patent No.:** **US D600,392 S**

(45) **Date of Patent:** **\*\* Sep. 15, 2009**

(54) **RECESSED CEILING LIGHTING FIXTURE**

(76) Inventors: **Geoffrey Ling**, 33562 Yucaipa Blvd.,  
#4-34, Yucaipa, CT (US) 06073; **Keith Bahde**, 125 Silvermere, Fayetteville, GA  
(US) 30215

(\*\*) Term: **14 Years**

(21) Appl. No.: **29/297,445**

(22) Filed: **Nov. 11, 2007**

(51) **LOC (9) Cl.** ..... **26-05**

(52) **U.S. Cl.** ..... **D26/74**

(58) **Field of Classification Search** ..... D26/2,  
D26/24, 35, 61, 7, 72, 74-79, 81-92, 118,  
D26/122; 362/147, 217-225, 132, 260-263,  
362/267, 283, 337, 347, 364; 43/113; D23/372,  
D23/328, 385; D14/209; 52/98

See application file for complete search history.

(56) **References Cited**

**U.S. PATENT DOCUMENTS**

D128,380	S	*	7/1941	Masterson et al.	.....	D26/77
2,625,646	A	*	1/1953	Goebel	.....	362/224
2,647,985	A	*	8/1953	Biller	.....	362/228
D171,866	S	*	3/1954	Schreckengost	.....	D26/122
D193,575	S	*	9/1962	Blitzer	.....	D26/76
3,130,922	A	*	4/1964	Smith	.....	362/148
3,213,274	A	*	10/1965	Stiffel	.....	362/147
D255,234	S	*	6/1980	Wellward et al.	.....	D14/209
4,747,028	A	*	5/1988	Piotrovsky	.....	362/224
4,896,656	A	*	1/1990	Johnson	.....	126/92 B
D329,102	S	*	9/1992	Dieperink	.....	D26/77
D365,409	S	*	12/1995	Lu	.....	D26/77
D411,031	S	*	6/1999	Conn et al.	.....	D26/118

D502,284	S	*	2/2005	Egawa et al.	.....	D26/122
D522,165	S	*	5/2006	Hubbell et al.	.....	D26/120
D524,978	S	*	7/2006	Bellaloum	.....	D26/102
D539,944	S	*	4/2007	Egawa et al.	.....	D26/24
D542,963	S	*	5/2007	Zucker	.....	D26/121
2003/0034062	A1	*	2/2003	Stern et al.	.....	136/244
2004/0012957	A1	*	1/2004	Bachl et al.	.....	362/241

**OTHER PUBLICATIONS**

DOE SSL Commercial Product Testing Program Report, DOE SSL CPTP Report Product Test Reference # CPTP 07-05 Downlight, (2007), and <http://web.archive.org/web/20070705053344/http://www.galliumlighting.com/>\*

<http://www.trilux.de/tx/opencms/sites/trilux/int/Produkte/Produktportfolio/Innenraumbeleuchtung.html>, pub. date unknown.

\* cited by examiner

*Primary Examiner*—Robert M Spear

*Assistant Examiner*—Susan E Krakower

(74) *Attorney, Agent, or Firm*—Muskin & Cusick LLC

(57) **CLAIM**

The ornamental design for a recessed ceiling lighting fixture, as shown and described.

**DESCRIPTION**

FIG. 1 is a front view of a recessed ceiling lighting fixture;

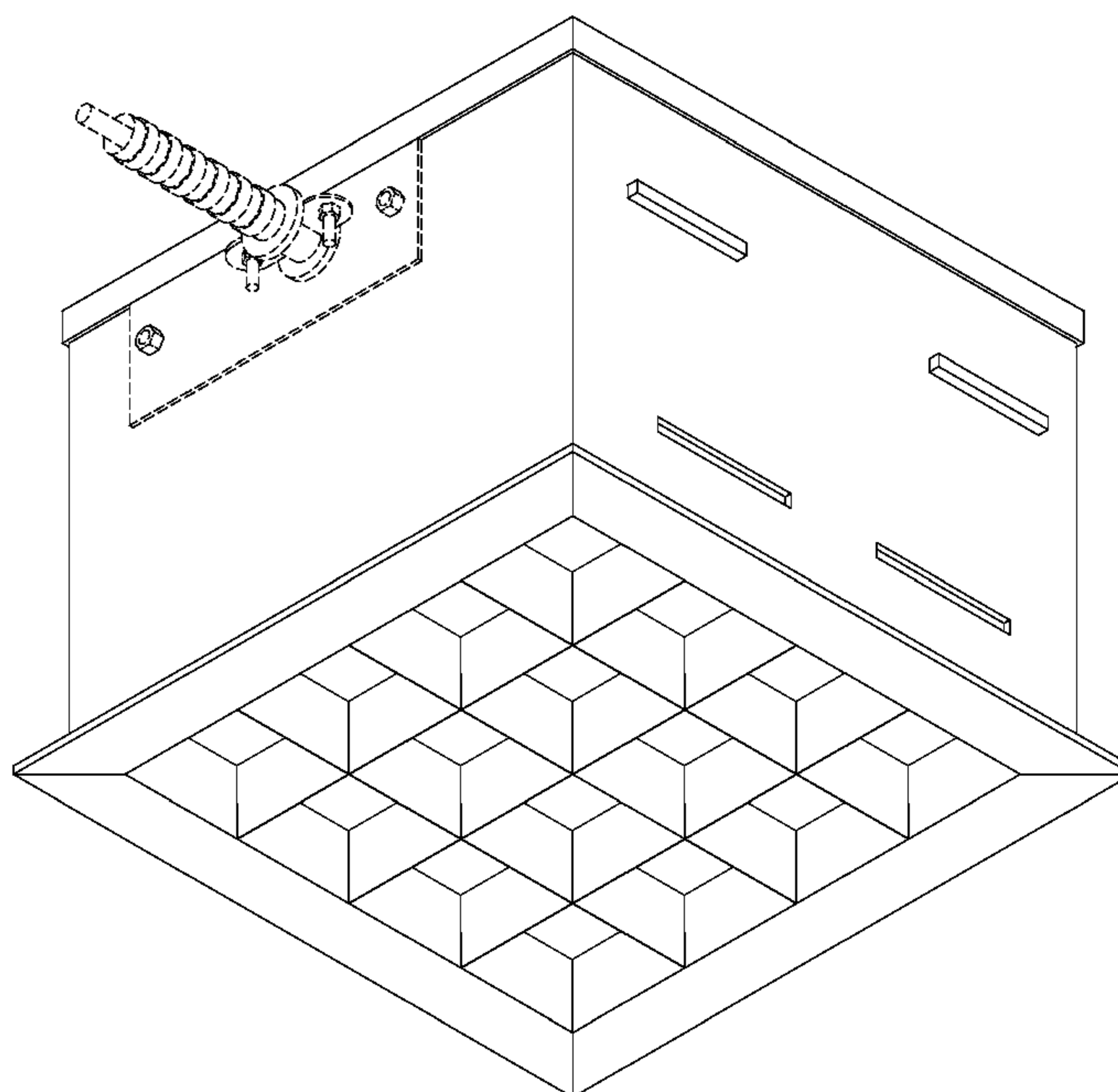
FIG. 2 is a side view thereof;

FIG. 3 is a rear view thereof; and,

FIG. 4 is a perspective view thereof.

The items shown in broken lines are included for purposes of illustrating the environment and form no part of the claimed design.

**1 Claim, 4 Drawing Sheets**



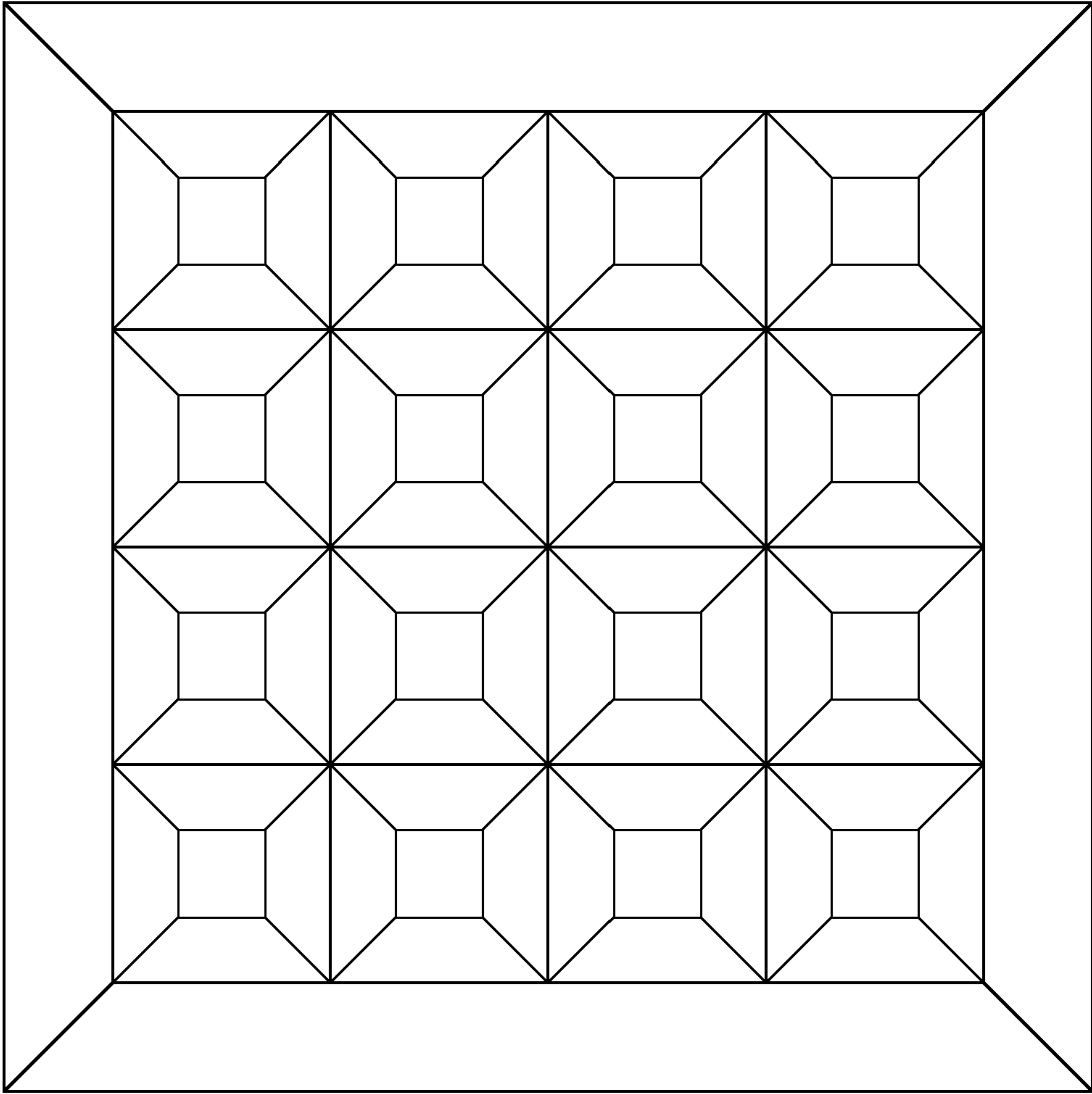


FIG. 1

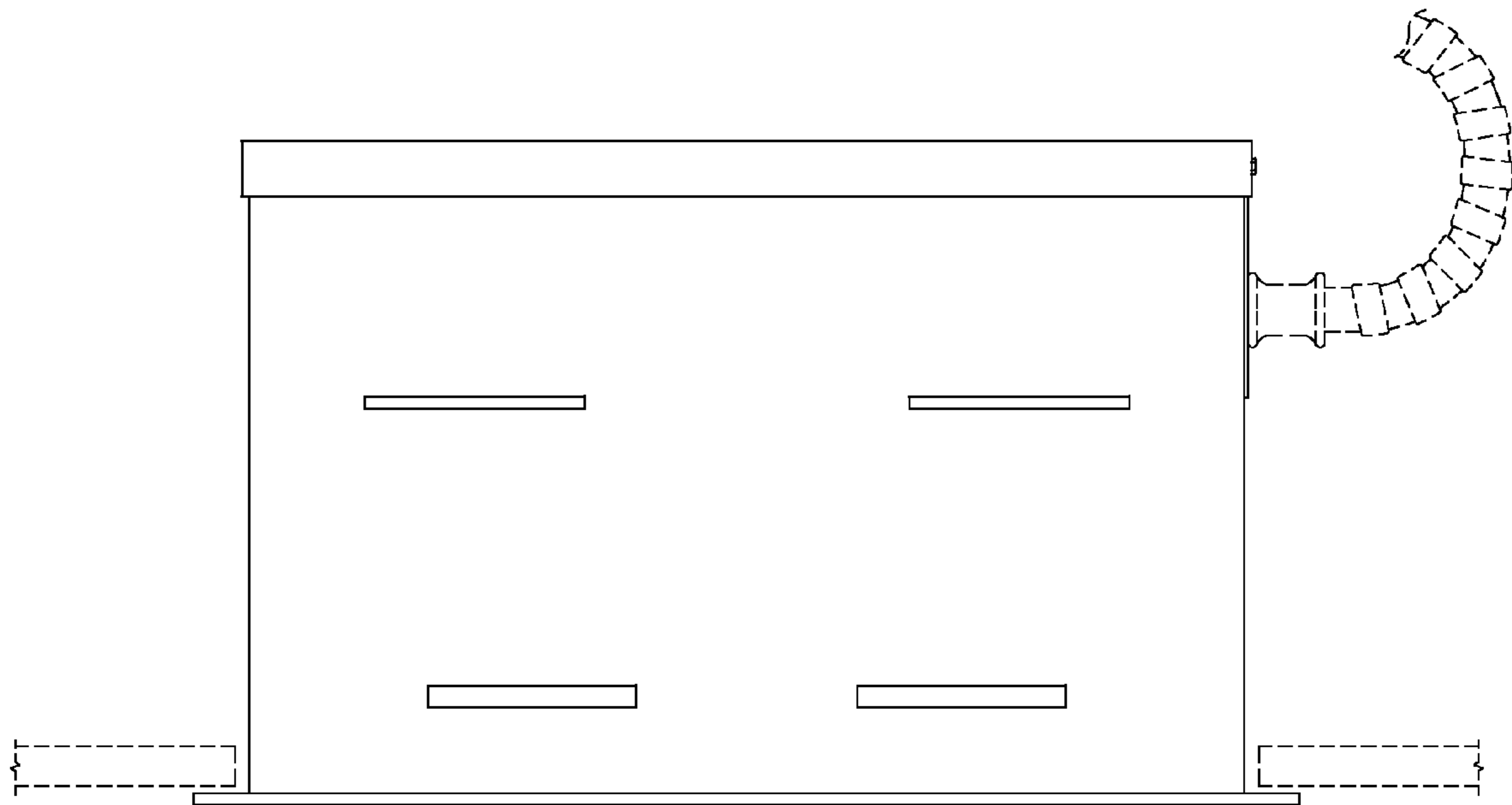


FIG.2

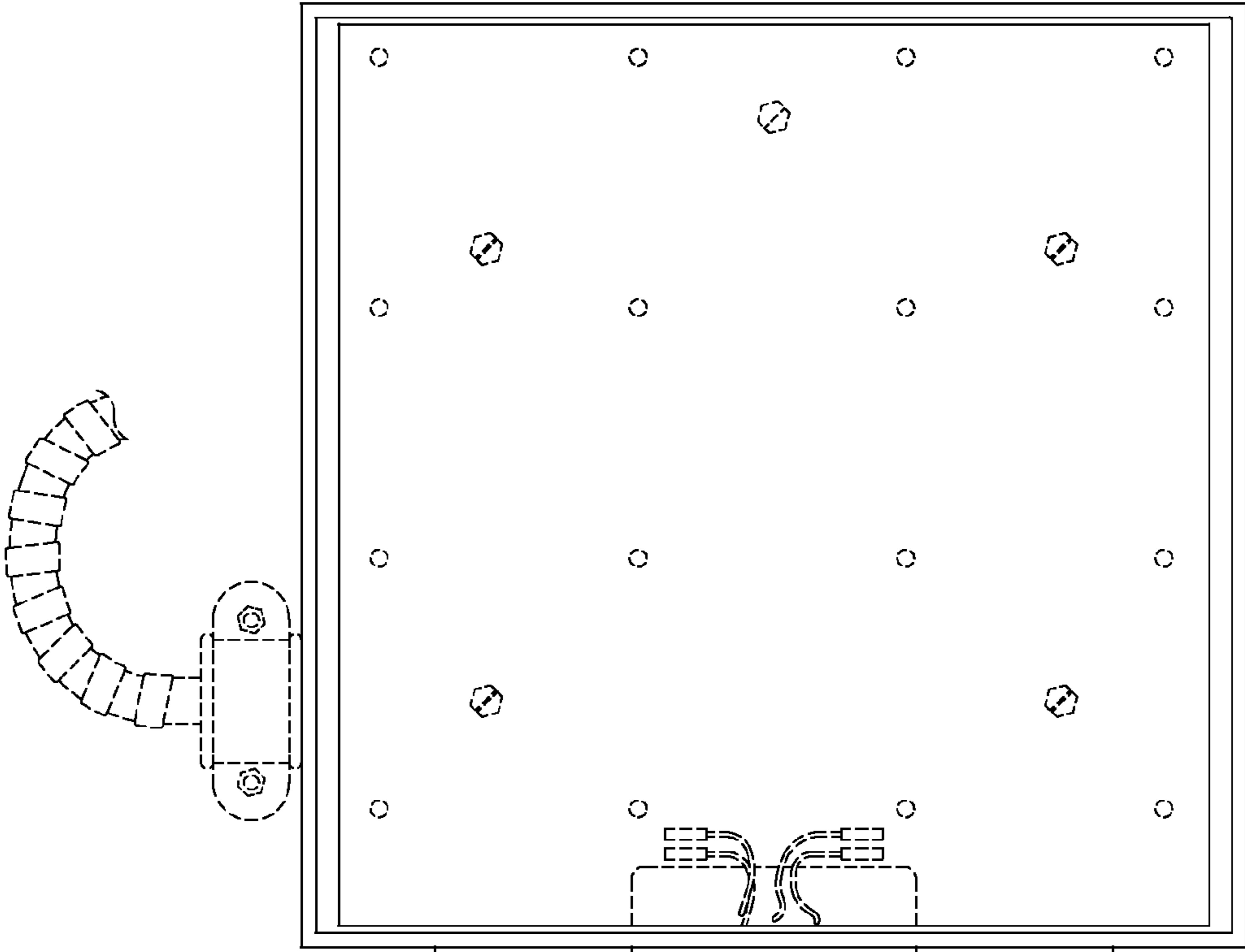


FIG.3

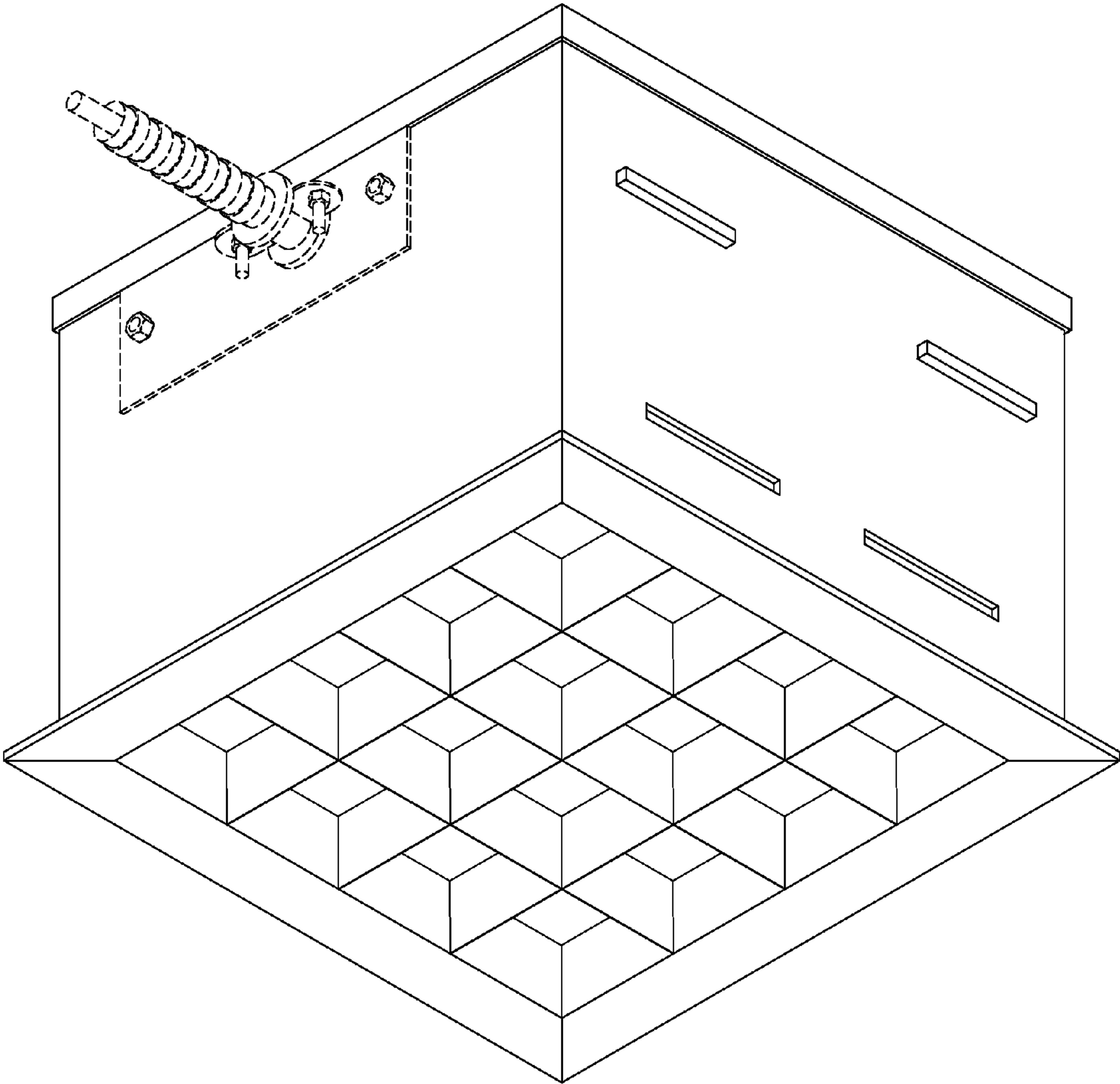


FIG.4