



US00D600390S

(12) **United States Design Patent**
Sabernig

(10) **Patent No.:** **US D600,390 S**

(45) **Date of Patent:** **** Sep. 15, 2009**

(54) **LIGHT FIXTURE**

(75) Inventor: **Robert Sabernig**, Munster (AT)

(73) Assignee: **EGLO Leuchten GmbH**, Innsbruck (AT)

(**) Term: **14 Years**

(21) Appl. No.: **29/325,218**

(22) Filed: **Sep. 26, 2008**

(51) **LOC (9) Cl.** **26-05**

(52) **U.S. Cl.** **D26/65**

(58) **Field of Classification Search** D26/60,
D26/61, 62, 63, 64, 65, 66, 72, 81, 88, 89,
D26/90, 91, 154, 24, 44, 77, 119, 121, 152,
D26/75, 85; 362/145, 147, 148, 150, 218,
362/220, 223, 648, 227, 238, 239, 249, 250,
362/372, 418, 430, 269, 270, 271, 272, 273,
362/274, 277, 278, 282, 283, 285, 287, 288,
362/290, 309, 427

See application file for complete search history.

(56) **References Cited**

U.S. PATENT DOCUMENTS

5,072,216	A *	12/1991	Grange	340/825.52
5,548,500	A *	8/1996	MacKay	362/427
D379,246	S *	5/1997	Haslam et al.	D26/63
5,788,518	A *	8/1998	Wachter et al.	439/121
D491,684	S *	6/2004	McInnis	D26/63
D537,972	S *	3/2007	Mier-Langner et al.	D26/63
D541,456	S *	4/2007	Kosche	D26/63
7,274,307	B2 *	9/2007	Povey et al.	340/907
D566,873	S *	4/2008	Grundl et al.	D26/63
D574,987	S *	8/2008	Waldmann	D26/63
2004/0090785	A1 *	5/2004	McInnis	362/362

2007/0153550 A1 * 7/2007 Lehman et al. 362/648
2008/0158894 A1 * 7/2008 Dixon et al. 362/418

* cited by examiner

Primary Examiner—Jennifer Rivard

Assistant Examiner—Angela J Lee

(74) *Attorney, Agent, or Firm*—Baker & McKenzie LLP

(57) **CLAIM**

The ornamental design for a light fixture, as shown and described.

DESCRIPTION

FIG. 1 is a front elevation view of a light fixture in accordance with my design, illustrating a first adjustable position;

FIG. 2 is another front elevation view of the light fixture in accordance with my design, illustrating a second adjustable position;

FIG. 3 is another front elevation view of the light fixture in accordance with my design, illustrating a third adjustable position;

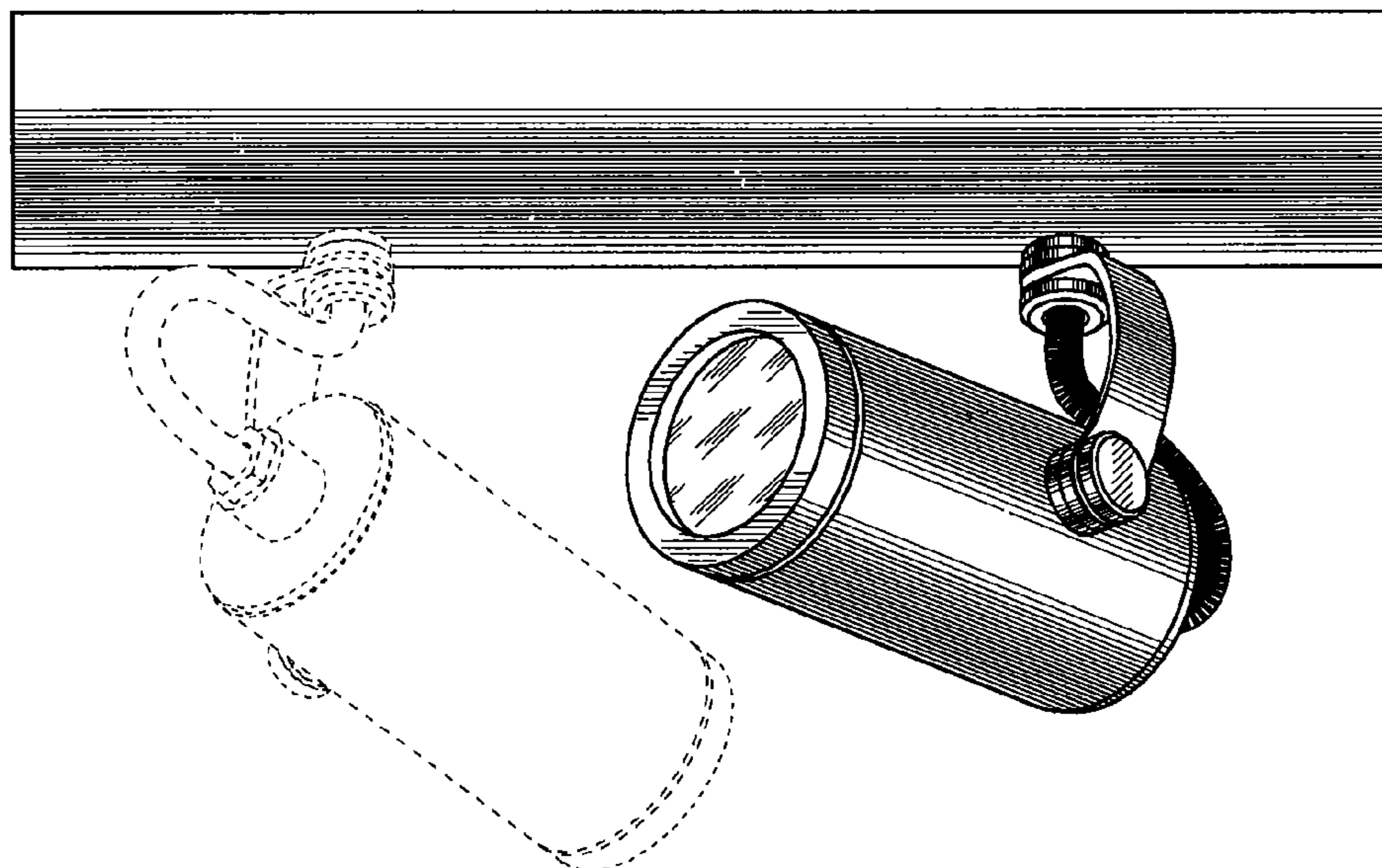
FIG. 4 is another front elevation view of the light fixture in accordance with my design, illustrating a fourth adjustable position;

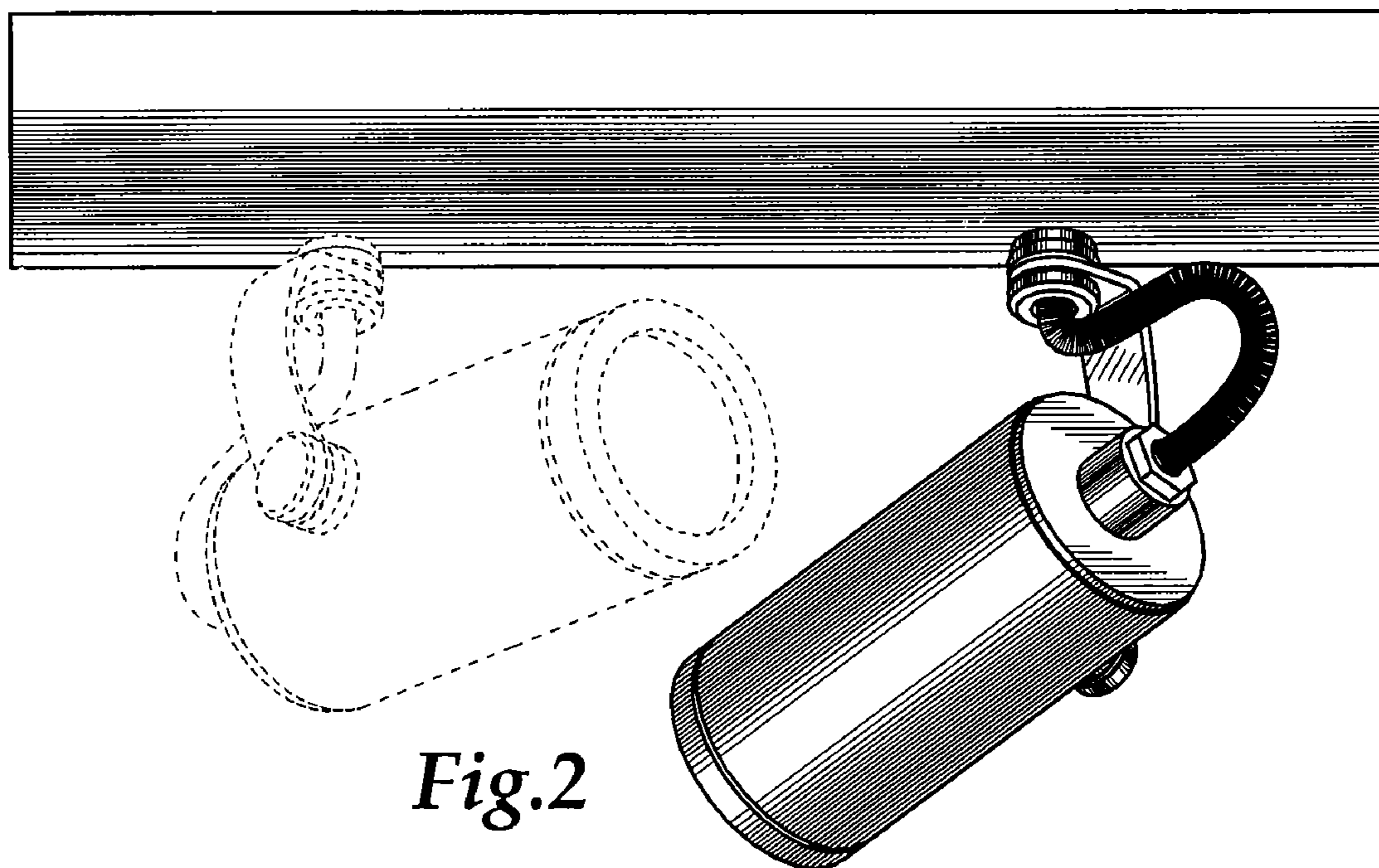
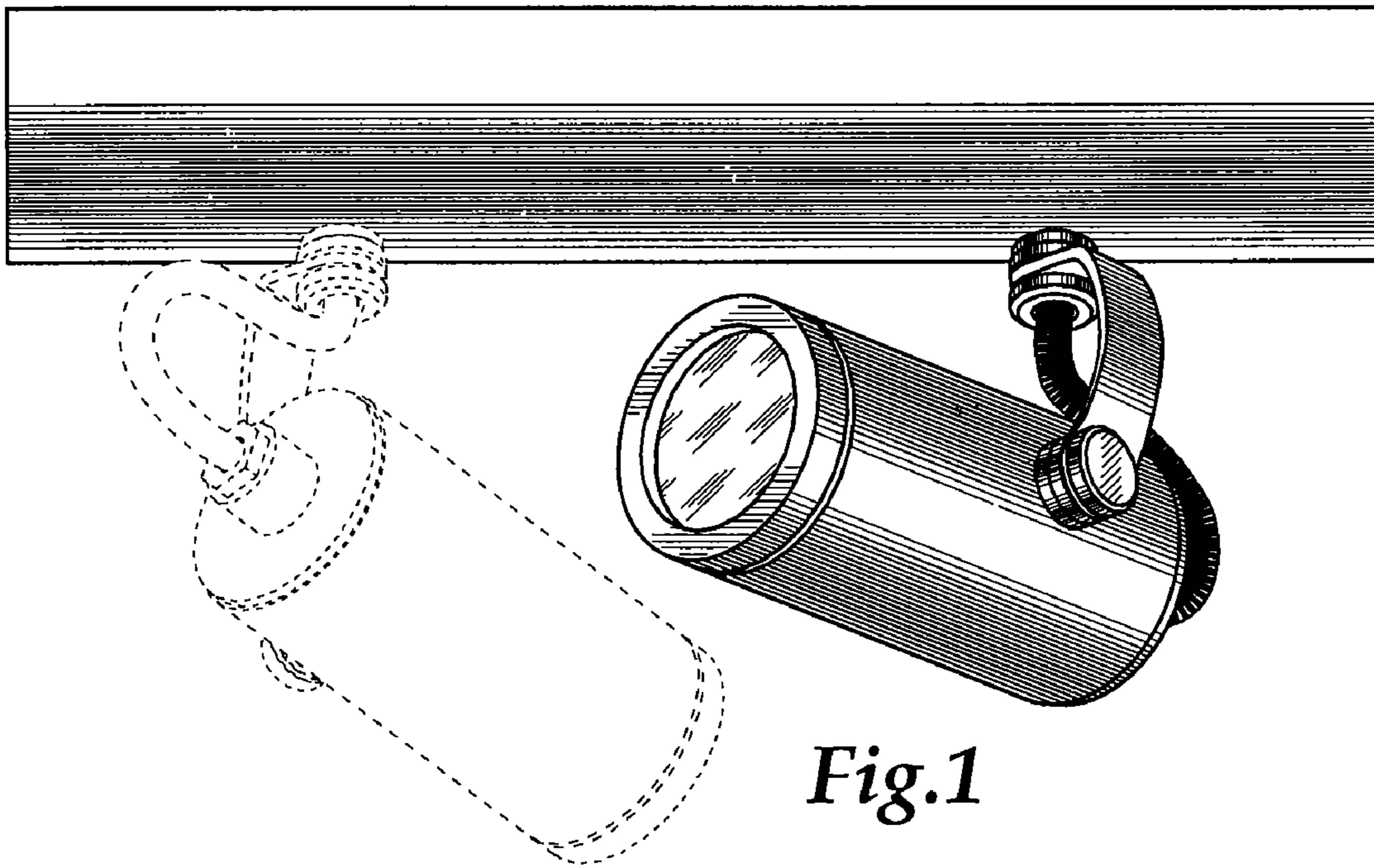
FIG. 5 is a side elevation view of the light fixture in accordance with my design, illustrating a fifth adjustable position; and,

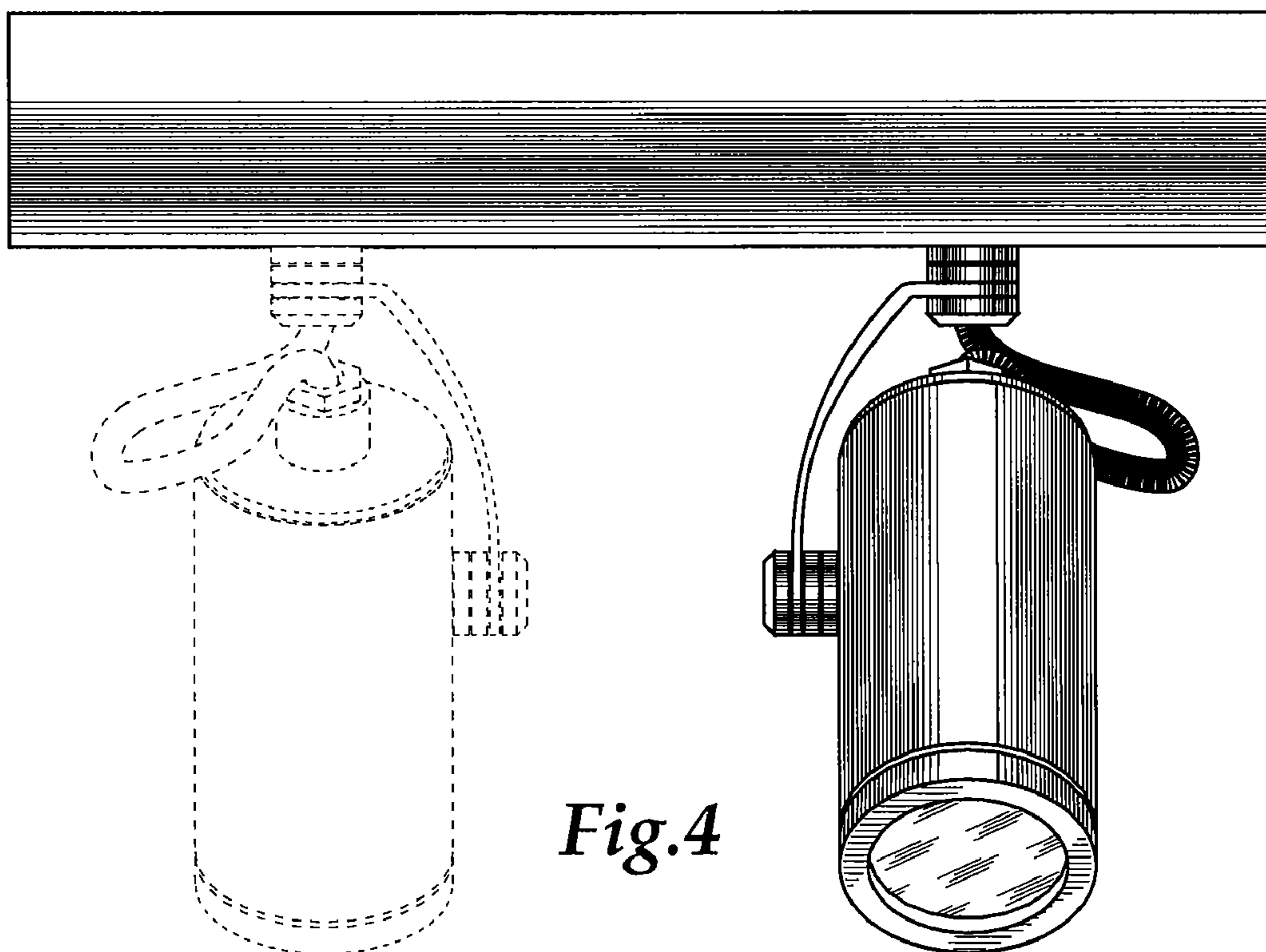
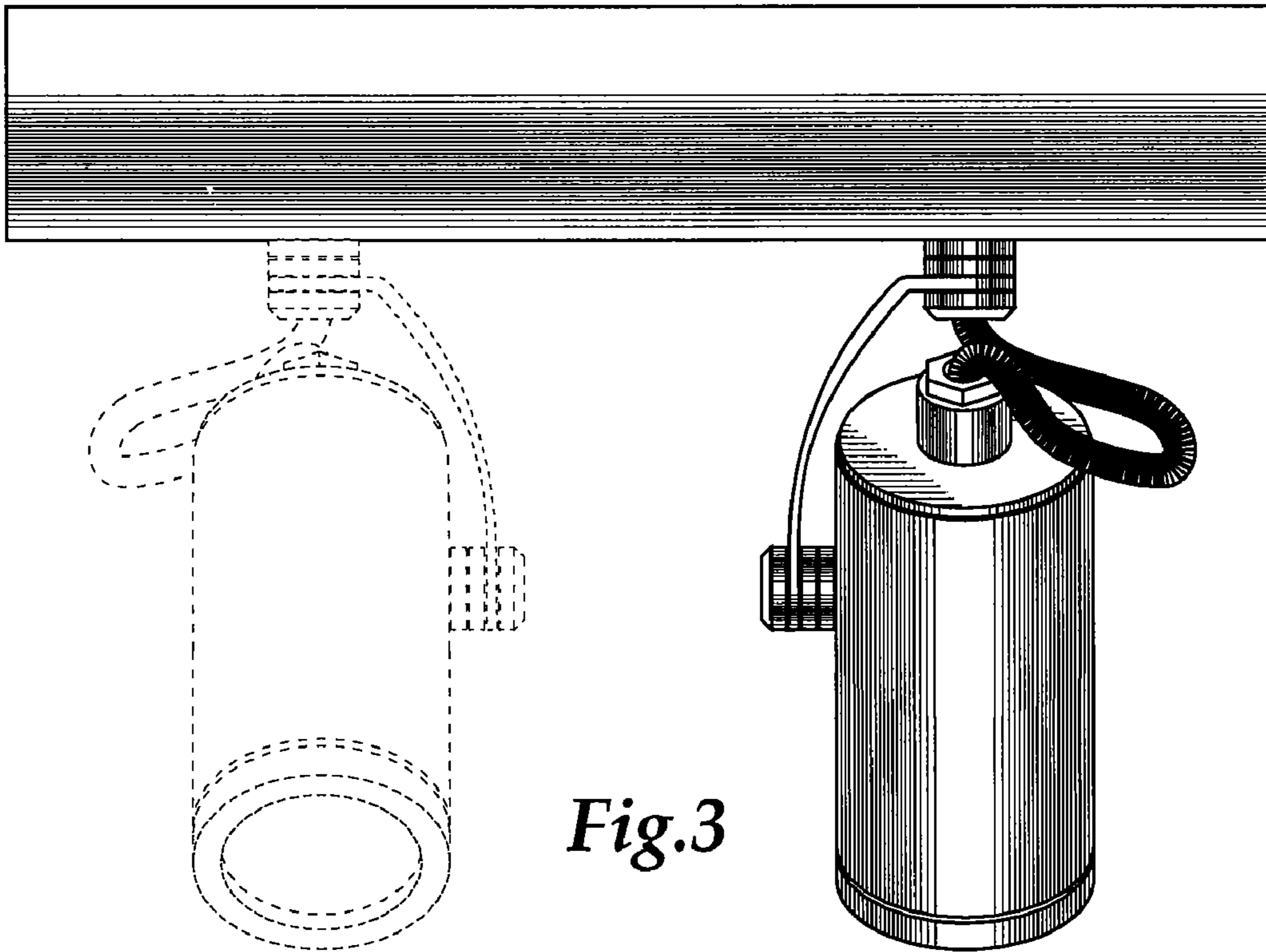
FIG. 6 is an opposite side elevation view of the light fixture in accordance with my design, illustrating the fifth adjustable position.

The broken lines showing environmental structure are for illustrative purposes only and form no part of the claimed design.

1 Claim, 3 Drawing Sheets







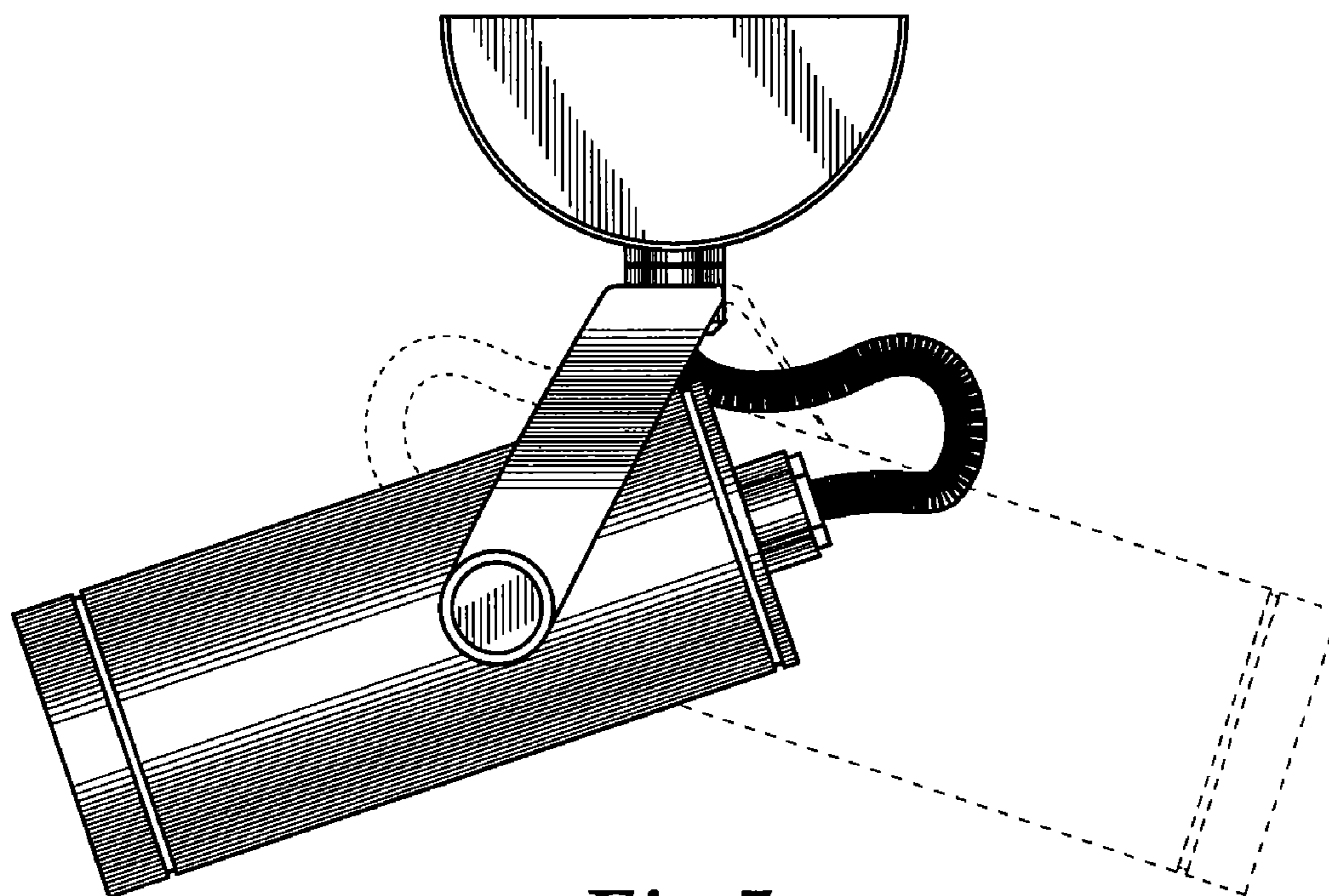


Fig.5

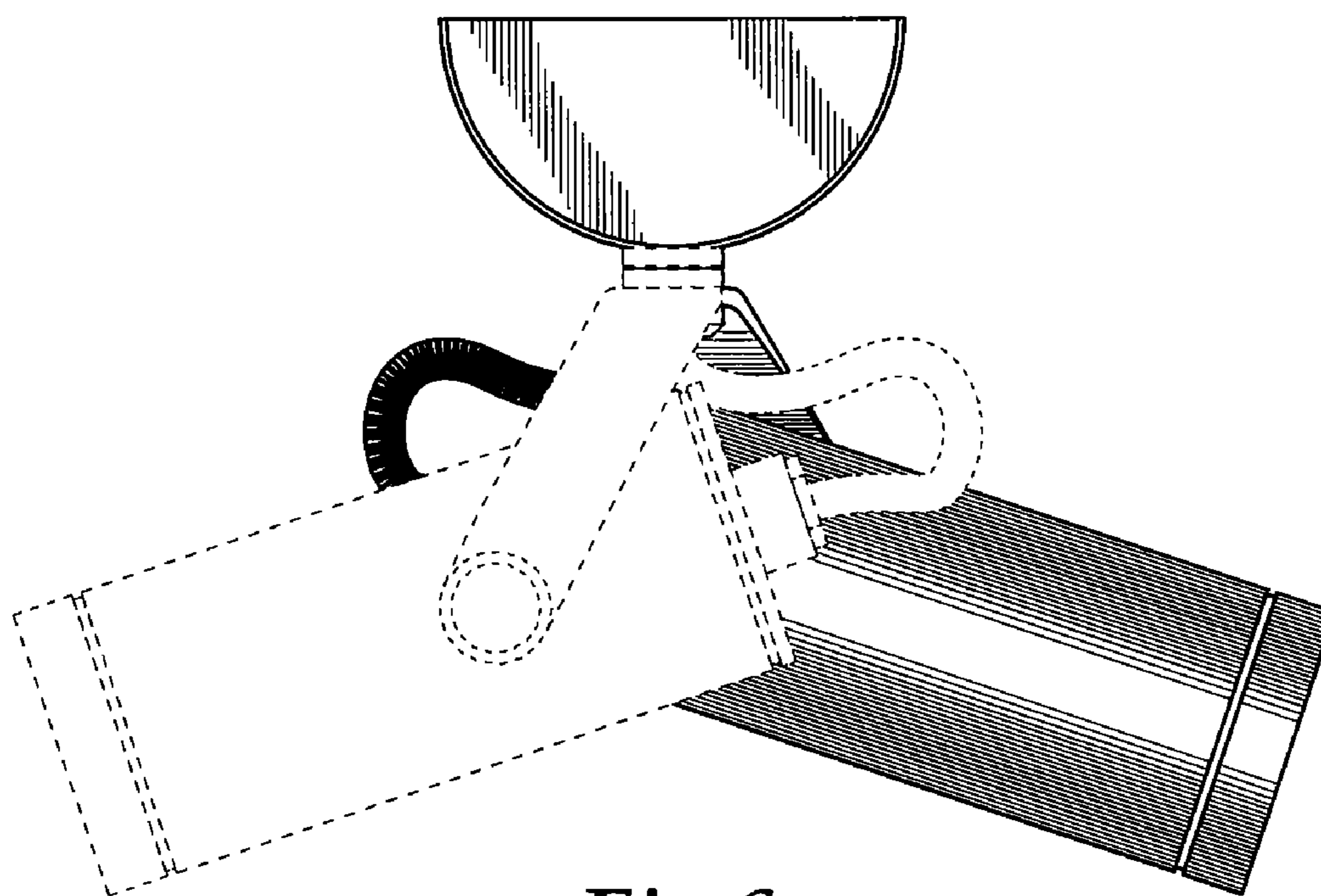


Fig.6