



US00D600389S

(12) **United States Design Patent**
Huang

(10) **Patent No.:** **US D600,389 S**

(45) **Date of Patent:** **** Sep. 15, 2009**

(54) **TABLE LAMP**

D554,789 S * 11/2007 Huang et al. D26/65
D563,583 S * 3/2008 Iai et al. D26/65
D567,982 S * 4/2008 Lu et al. D26/65

(75) Inventor: **Huo-Tu Huang**, Taipei County (TW)

(73) Assignee: **Huangslite Industrial Co., Ltd.**, Taipei Hsien (TW)

* cited by examiner

Primary Examiner—Clare E Heflin

(74) *Attorney, Agent, or Firm*—Bacon & Thomas, PLLC

(**) Term: **14 Years**

(21) Appl. No.: **29/311,484**

(57) **CLAIM**

(22) Filed: **Mar. 31, 2009**

I claim the ornamental design for table lamp, as shown and described.

(51) **LOC (9) Cl.** **26-05**

(52) **U.S. Cl.** **D26/65**

(58) **Field of Classification Search** D26/61–65,
D26/107; 362/269, 275, 285, 371, 410, 418,
362/419, 427

See application file for complete search history.

DESCRIPTION

FIG. 1. is a perspective view of table lamp showing my new design

FIG. 2. is a front elevational view thereof;

FIG. 3. is a rear elevational view thereof;

FIG. 4. is a left side elevational view thereof;

FIG. 5. is a right side elevational view thereof;

FIG. 6. is a top plan view thereof; and,

FIG. 7. is a bottom plan view thereof.

(56) **References Cited**

U.S. PATENT DOCUMENTS

D345,810 S * 4/1994 Yuen D26/44
D365,648 S * 12/1995 Yuen D26/65
D414,578 S * 9/1999 Chen et al. D26/65
D507,841 S * 7/2005 Mendelsohn et al. D26/63
D521,671 S * 5/2006 Chen et al. D26/65

1 Claim, 5 Drawing Sheets

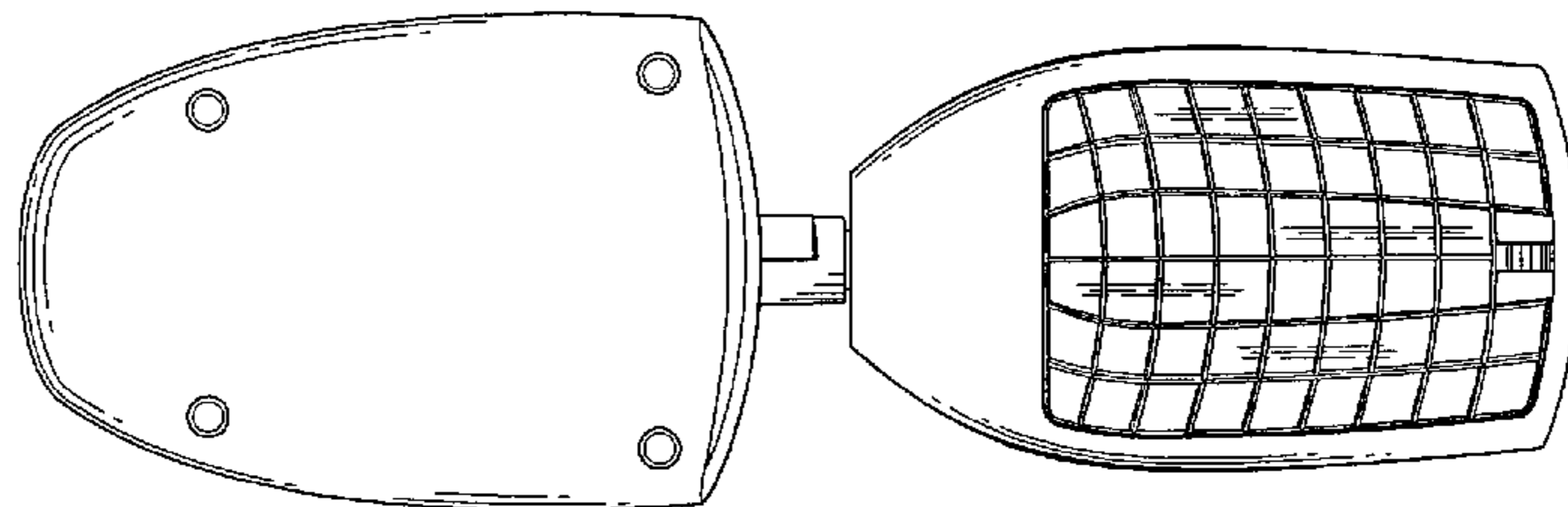




FIG. 1

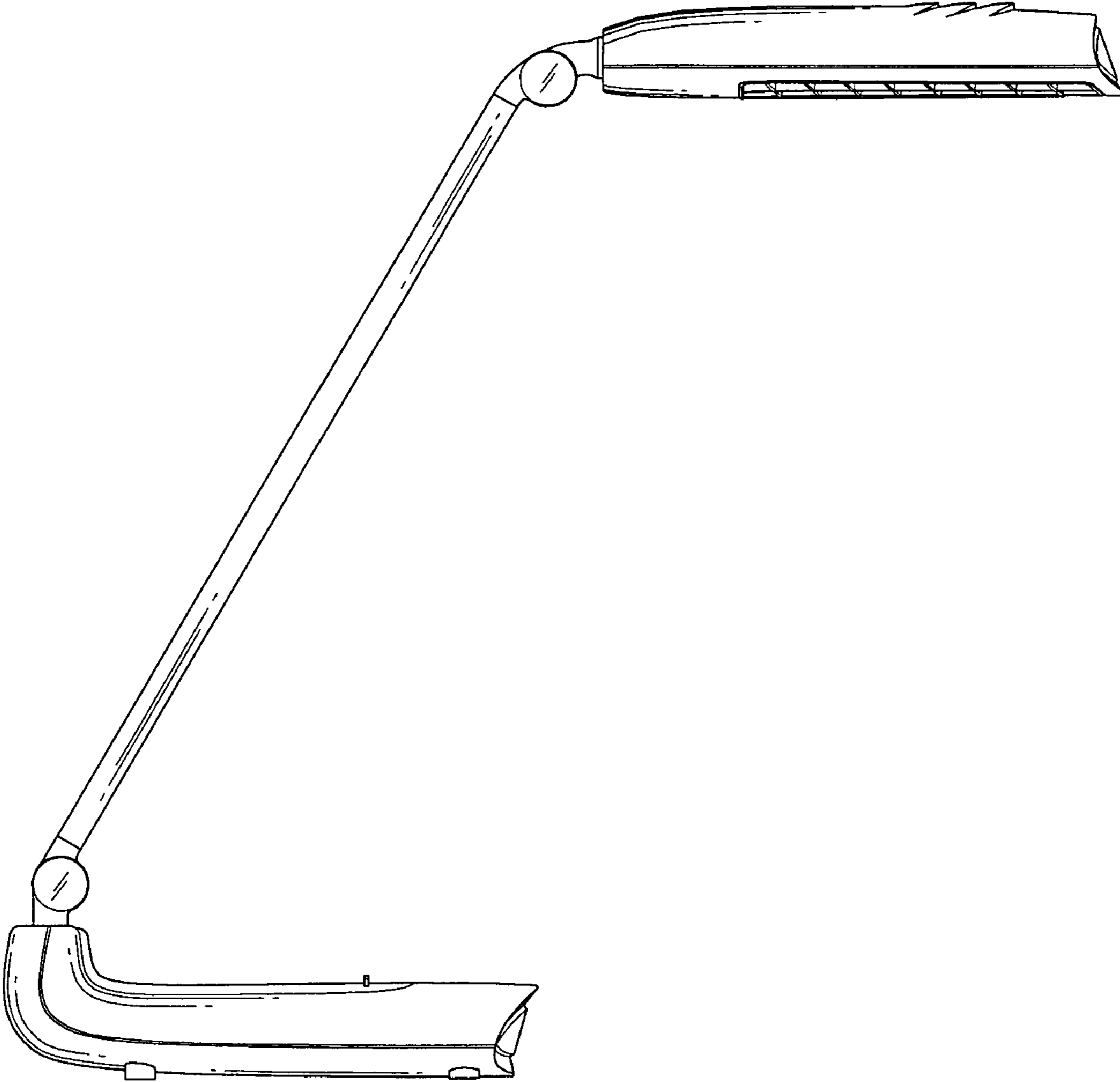


FIG.2

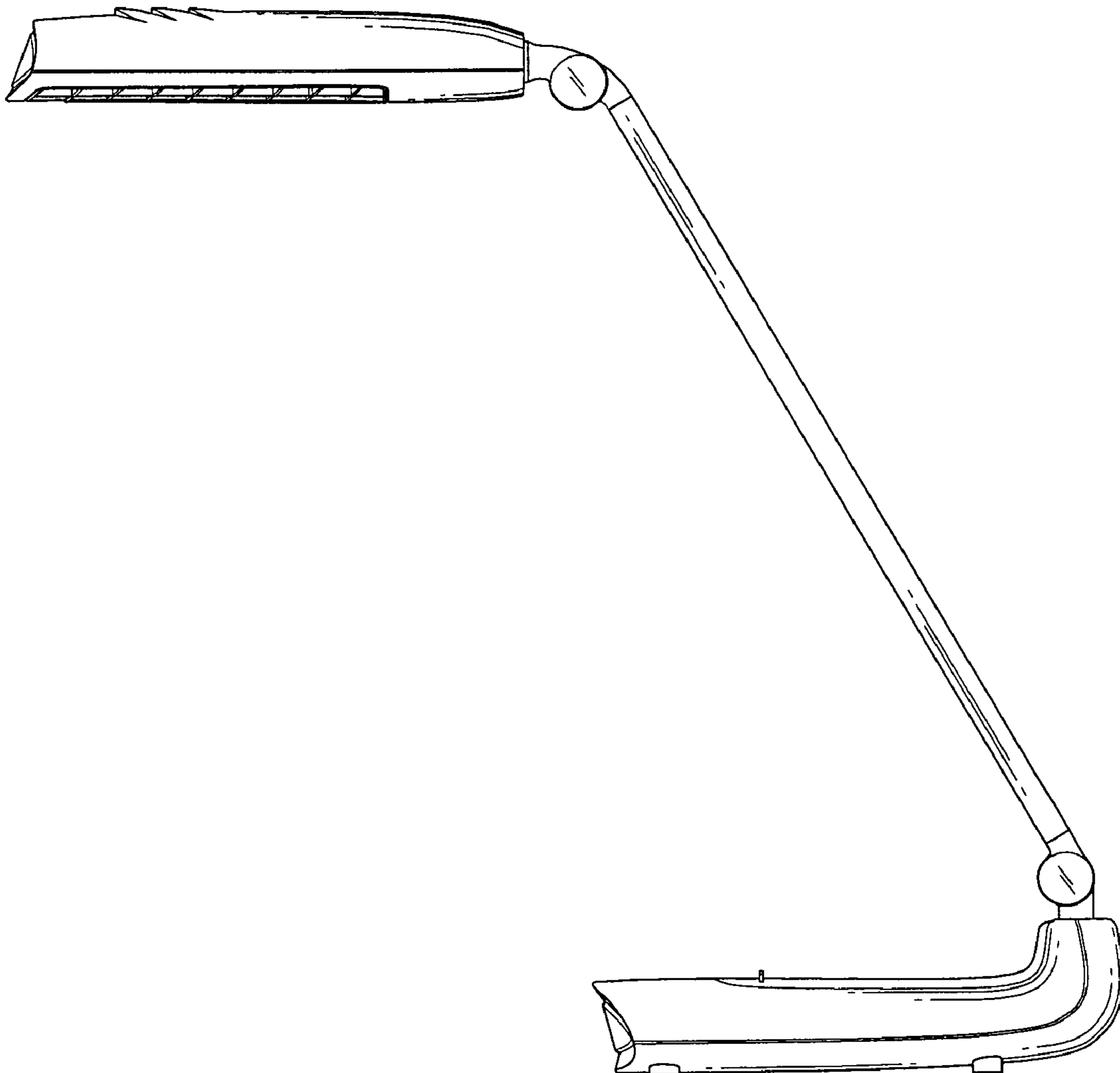


FIG.3

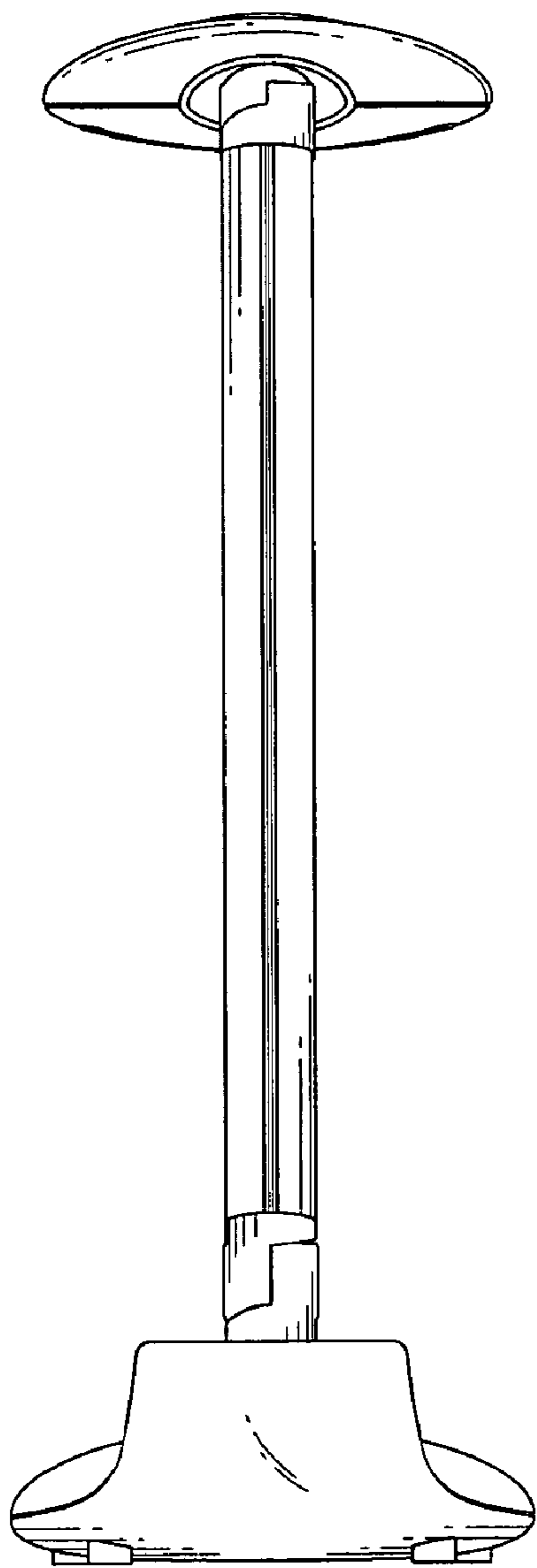


FIG. 4

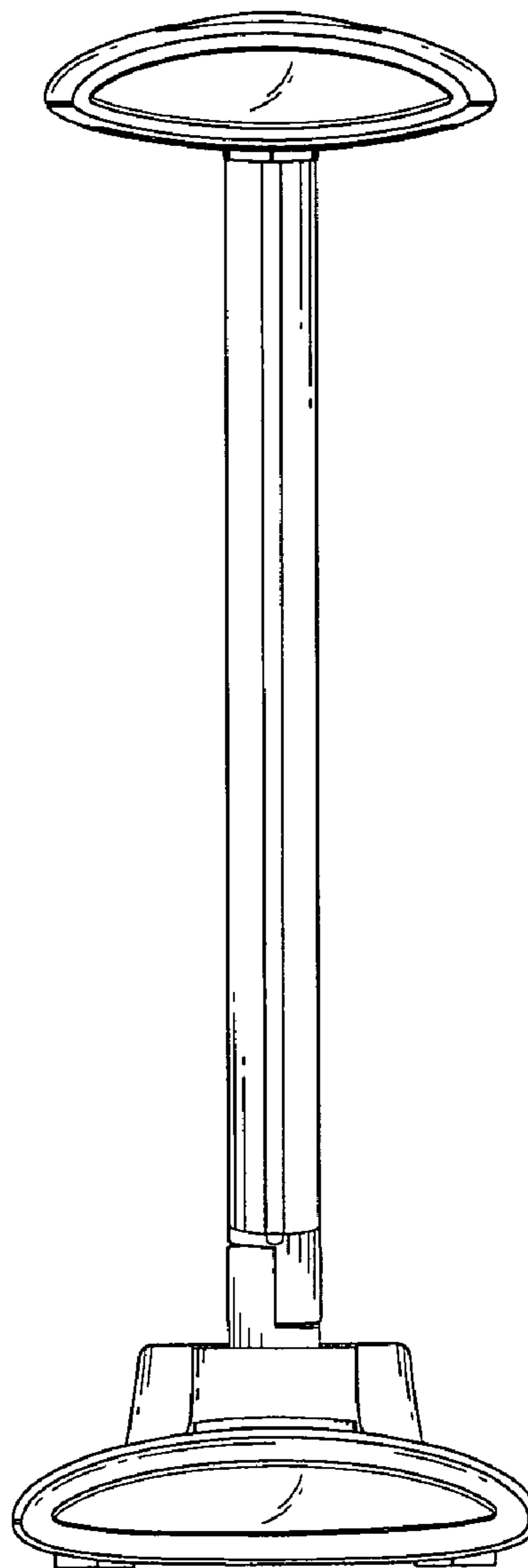


FIG. 5

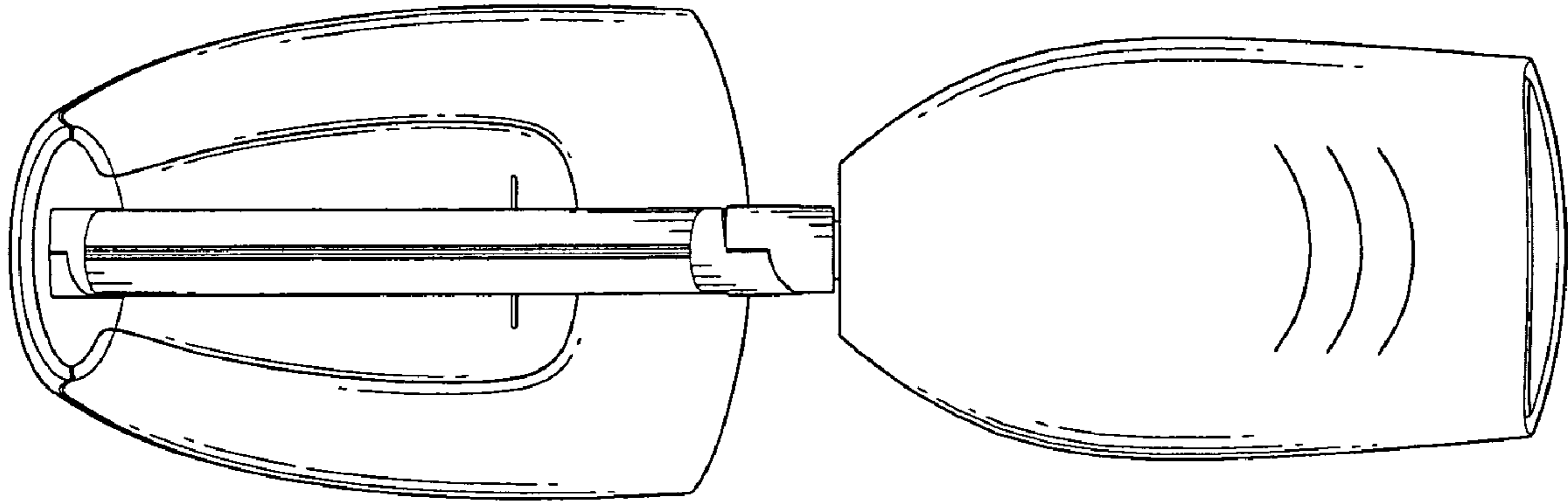


FIG. 6

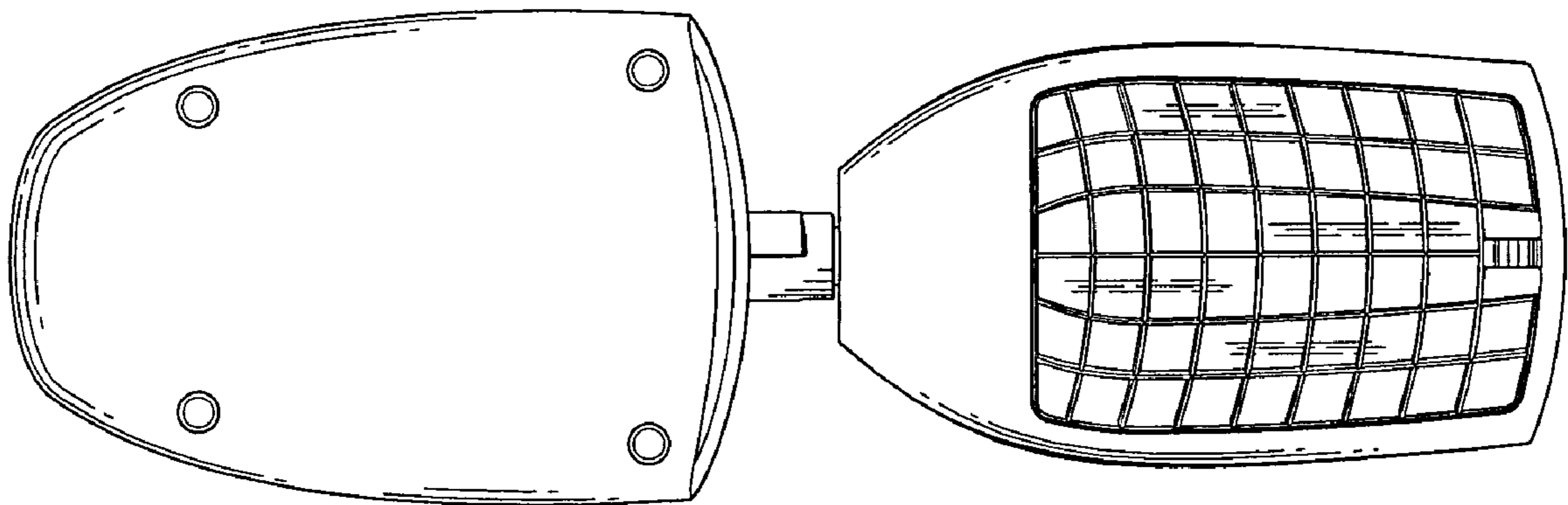


FIG. 7