



US00D600388S

(12) **United States Design Patent**
Huang

(10) **Patent No.:** **US D600,388 S**

(45) **Date of Patent:** **** Sep. 15, 2009**

(54) **TABLE LAMP**

(76) Inventor: **Huo-Tu Huang**, No. 9, Lane 379,
Chung-Hwa Rd., Su-Lin, Taipei County
(TW)

(**) Term: **14 Years**

(21) Appl. No.: **29/311,232**

(22) Filed: **Jan. 26, 2009**

(51) **LOC (9) Cl.** **26-05**

(52) **U.S. Cl.** **D26/65**

(58) **Field of Classification Search** D26/61-65,
D26/107; 362/269, 275, 285, 371, 410, 418,
362/419, 427

See application file for complete search history.

(56) **References Cited**

U.S. PATENT DOCUMENTS

D208,202 S *	8/1967	Imanishi	D26/62
D337,843 S *	7/1993	Huang	D26/65
D345,027 S *	3/1994	Huang	D26/65
D345,810 S *	4/1994	Yuen	D26/65
D365,648 S *	12/1995	Yuen	D26/65
D382,362 S *	8/1997	Huang	D26/65
D411,323 S *	6/1999	Benghozi	D26/64

D507,841 S *	7/2005	Mendelsohn et al.	D26/63
D520,663 S *	5/2006	Ancona et al.	D26/65
D563,583 S *	3/2008	Iai et al.	D26/65
D567,982 S *	4/2008	Lu et al.	D26/65
D588,737 S *	3/2009	Fu	D26/63

* cited by examiner

Primary Examiner—Clare E Heflin

(74) *Attorney, Agent, or Firm*—Bacon & Thomas, PLLC

(57) **CLAIM**

I claim the ornamental design for table lamp, as shown and described.

DESCRIPTION

FIG. 1. is a perspective view of table lamp showing my new design

FIG. 2. is a front elevational view thereof;

FIG. 3. is a rear elevational view thereof;

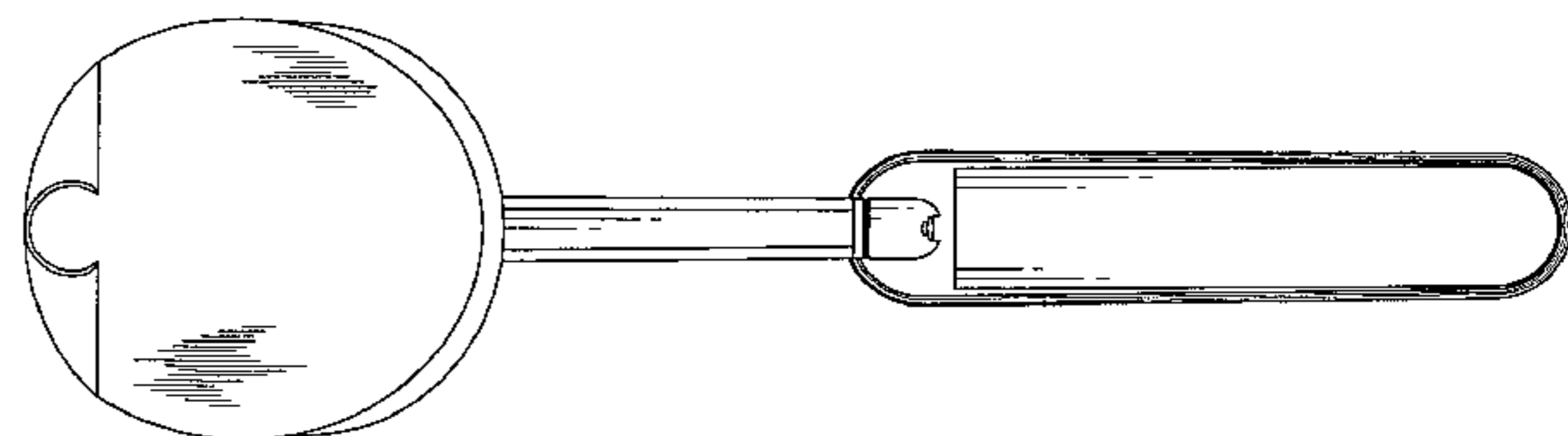
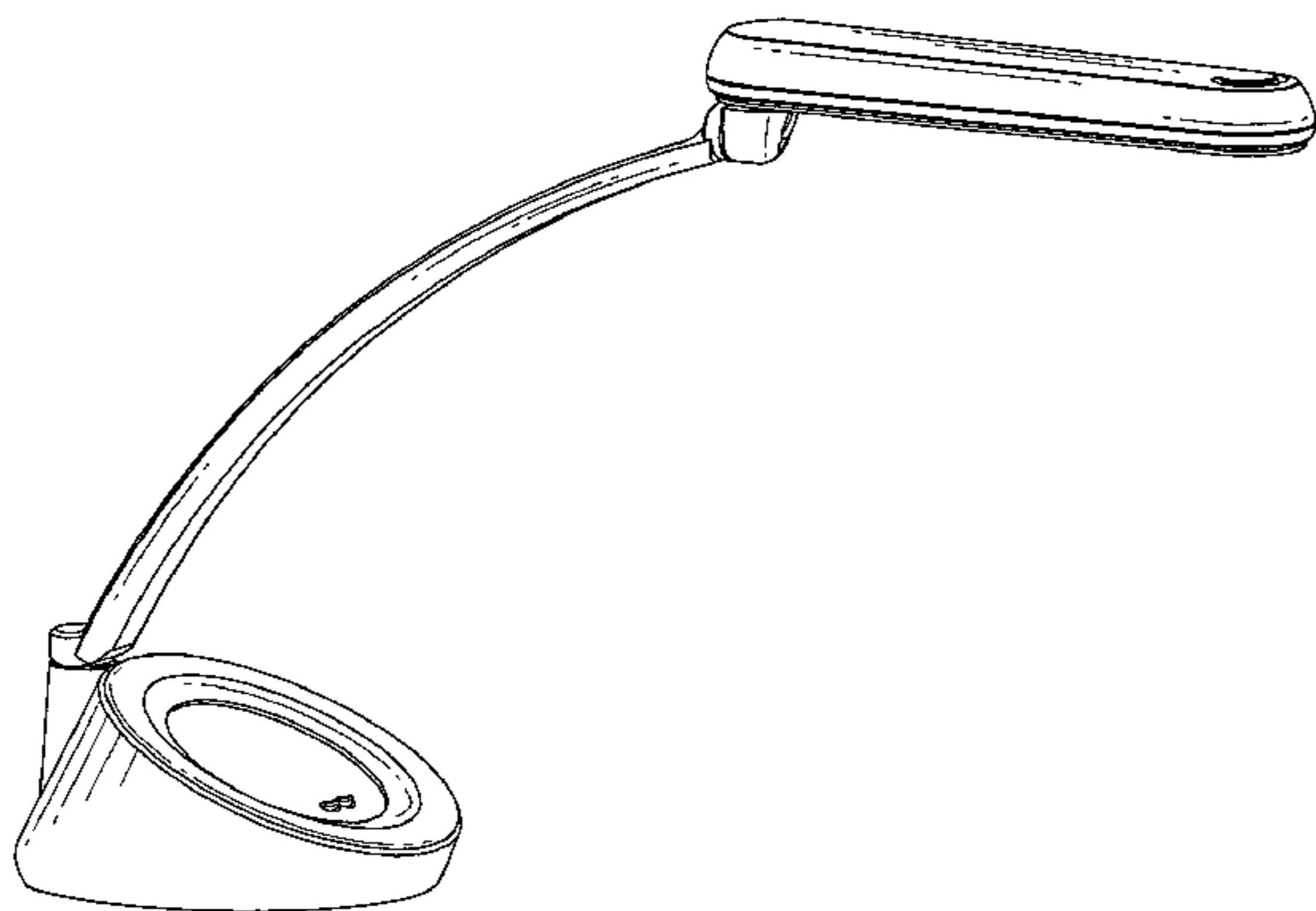
FIG. 4. is a left side elevational view thereof;

FIG. 5. is a right side elevational view thereof;

FIG. 6. is a top plan view thereof; and,

FIG. 7. is a bottom plan view thereof.

1 Claim, 5 Drawing Sheets



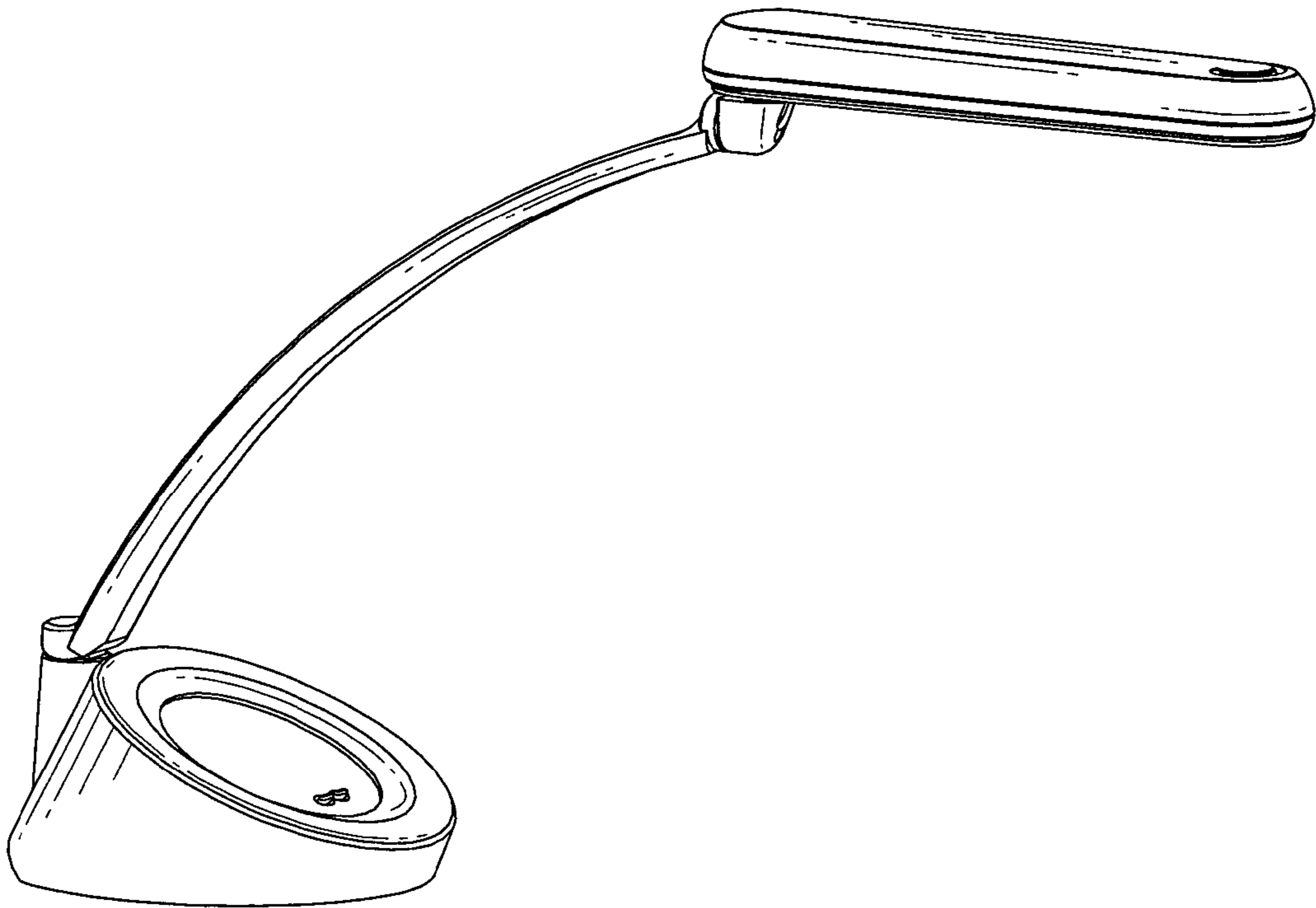


FIG. 1

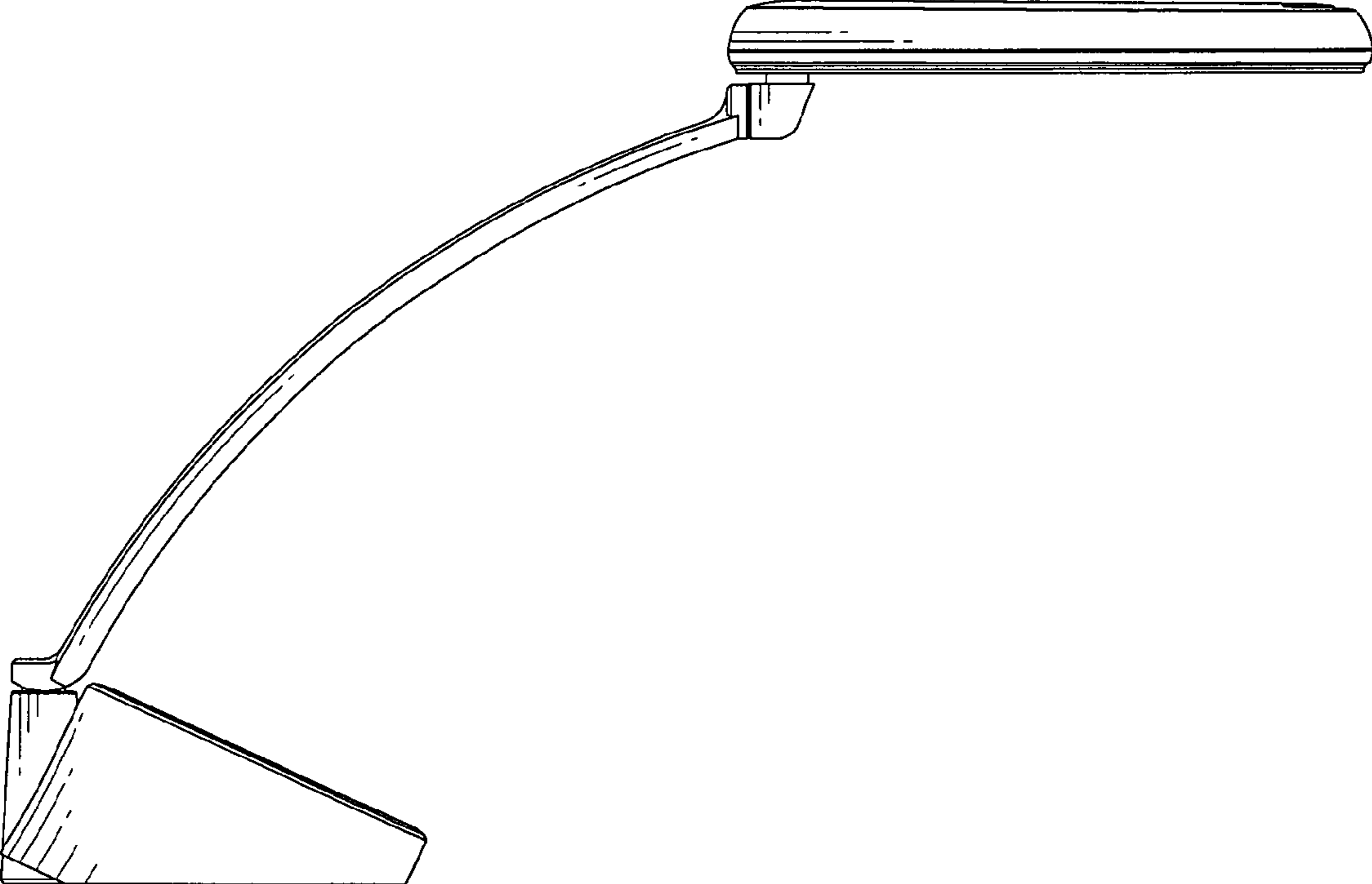


FIG.2

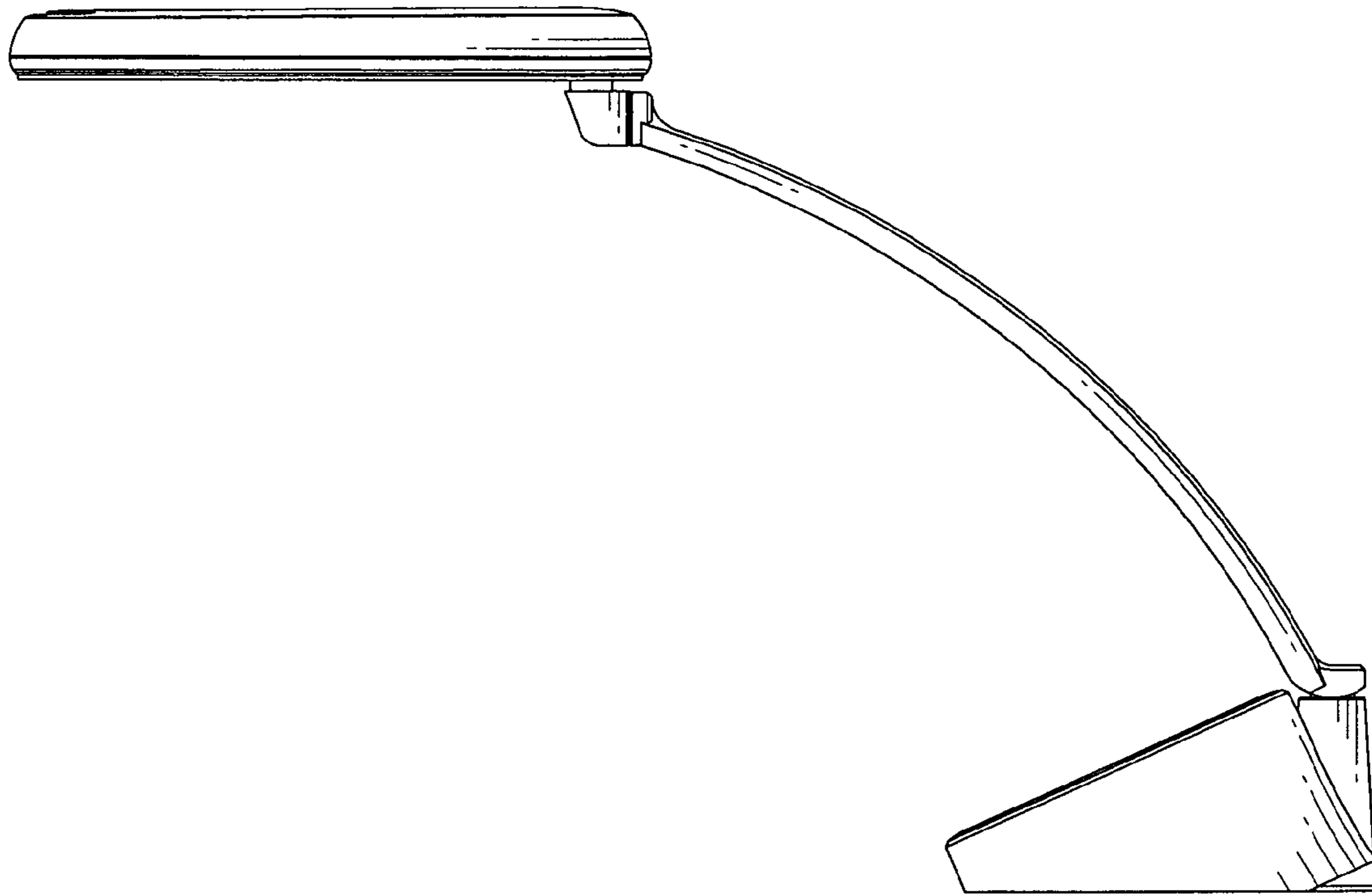


FIG. 3

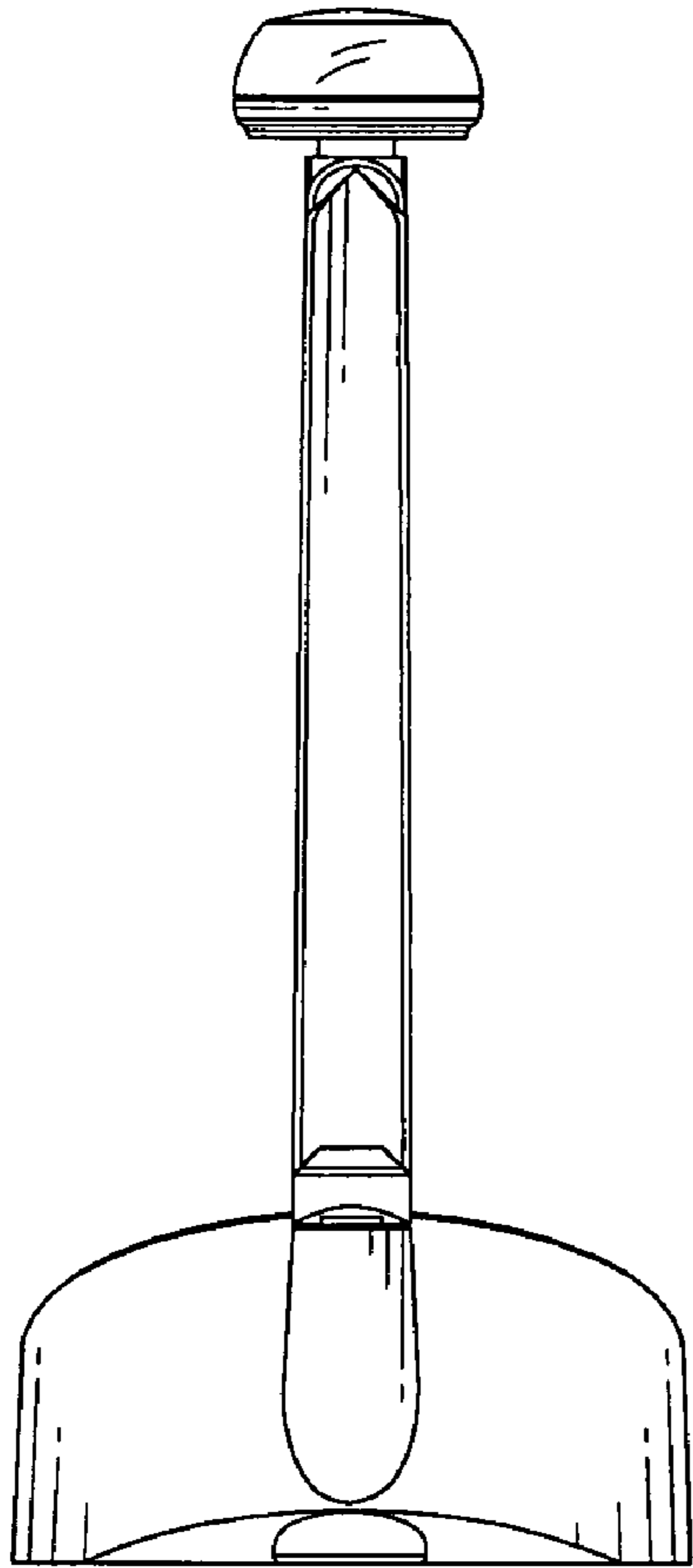


FIG. 4

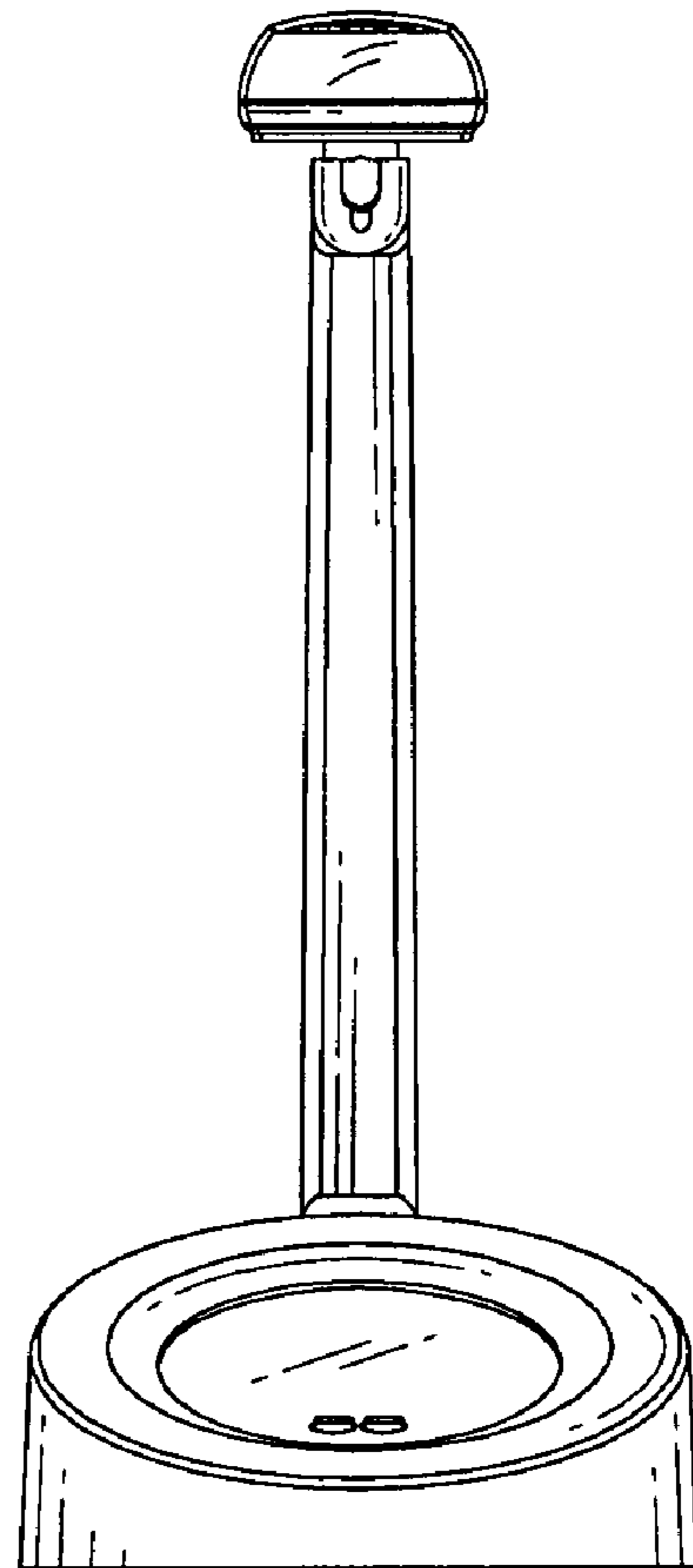


FIG. 5

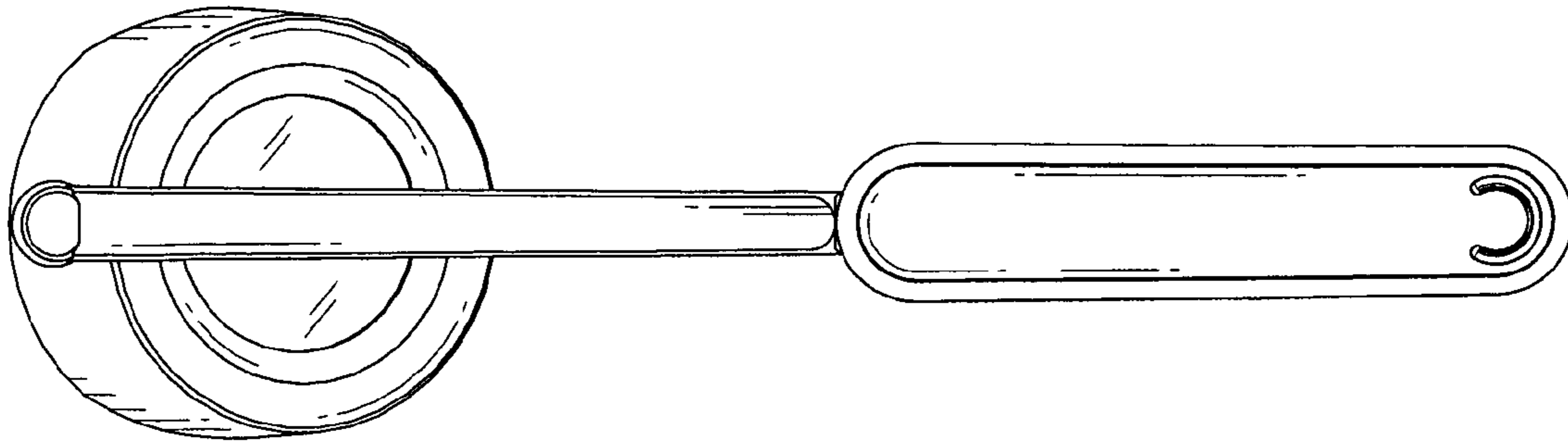


FIG. 6

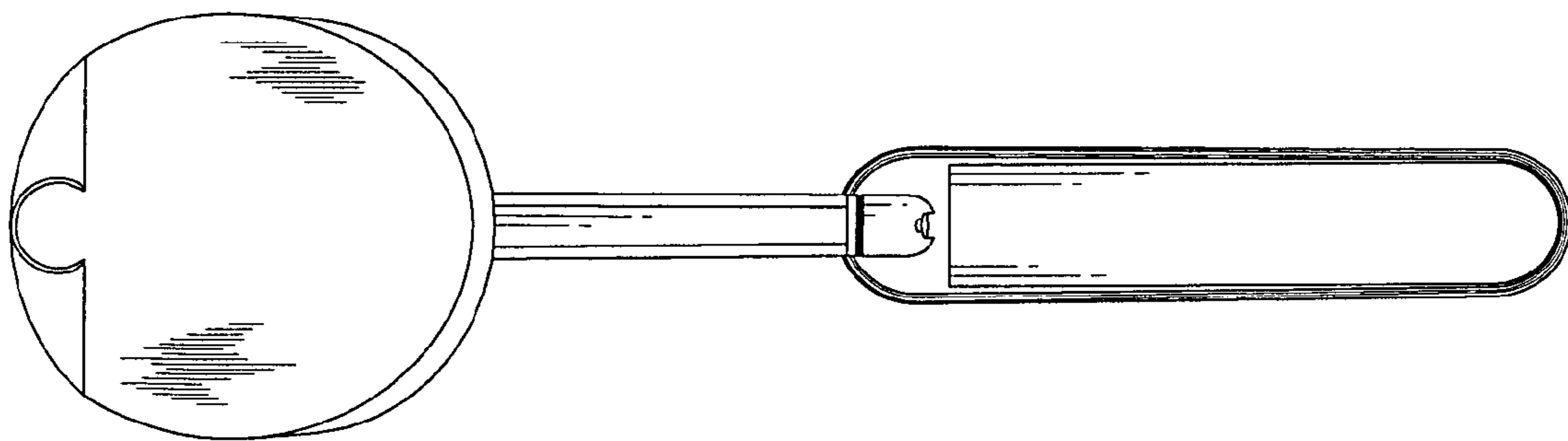


FIG. 7