



US00D600387S

(12) **United States Design Patent**  
**Huang**

(10) **Patent No.:** **US D600,387 S**

(45) **Date of Patent:** **\*\* Sep. 15, 2009**

(54) **TABLE LAMP**

(76) Inventor: **Huo-Tu Huang**, No.9, Lane 379,  
Chung-Hwa Rd., Su-Lin, Taipei County  
(TW)

(\*\*) Term: **14 Years**

(21) Appl. No.: **29/309,904**

(22) Filed: **Nov. 7, 2008**

(51) **LOC (9) Cl.** ..... **26-05**

(52) **U.S. Cl.** ..... **D26/65**

(58) **Field of Classification Search** ..... D26/61-65,  
D26/107; 362/269, 275, 285, 371, 410, 418,  
362/419, 427

See application file for complete search history.

(56) **References Cited**

**U.S. PATENT DOCUMENTS**

D365,648 S *	12/1995	Yuen	.....	D26/65
D369,876 S *	5/1996	Muellenmeister	.....	D26/63
D382,362 S *	8/1997	Huang	.....	D26/65
D442,310 S *	5/2001	Huang	.....	D26/65
D448,507 S *	9/2001	Shen	.....	D26/63
D504,188 S *	4/2005	Chan	.....	D26/66
D521,671 S *	5/2006	Chen et al.	.....	D26/65

D554,789 S *	11/2007	Huang	.....	D26/65
D563,583 S *	3/2008	Iai et al.	.....	D26/65
D567,982 S *	4/2008	Lu et al.	.....	D26/65
D568,519 S *	5/2008	Lu et al.	.....	D26/65

\* cited by examiner

*Primary Examiner*—Clare E Heflin

(74) *Attorney, Agent, or Firm*—Bacon & Thomas, PLLC

(57) **CLAIM**

I claim the ornamental design for a table lamp, as shown and described.

**DESCRIPTION**

FIG. 1. is a perspective view of a table lamp showing my new design

FIG. 2. is a front elevational view thereof;

FIG. 3. is a rear elevational view thereof;

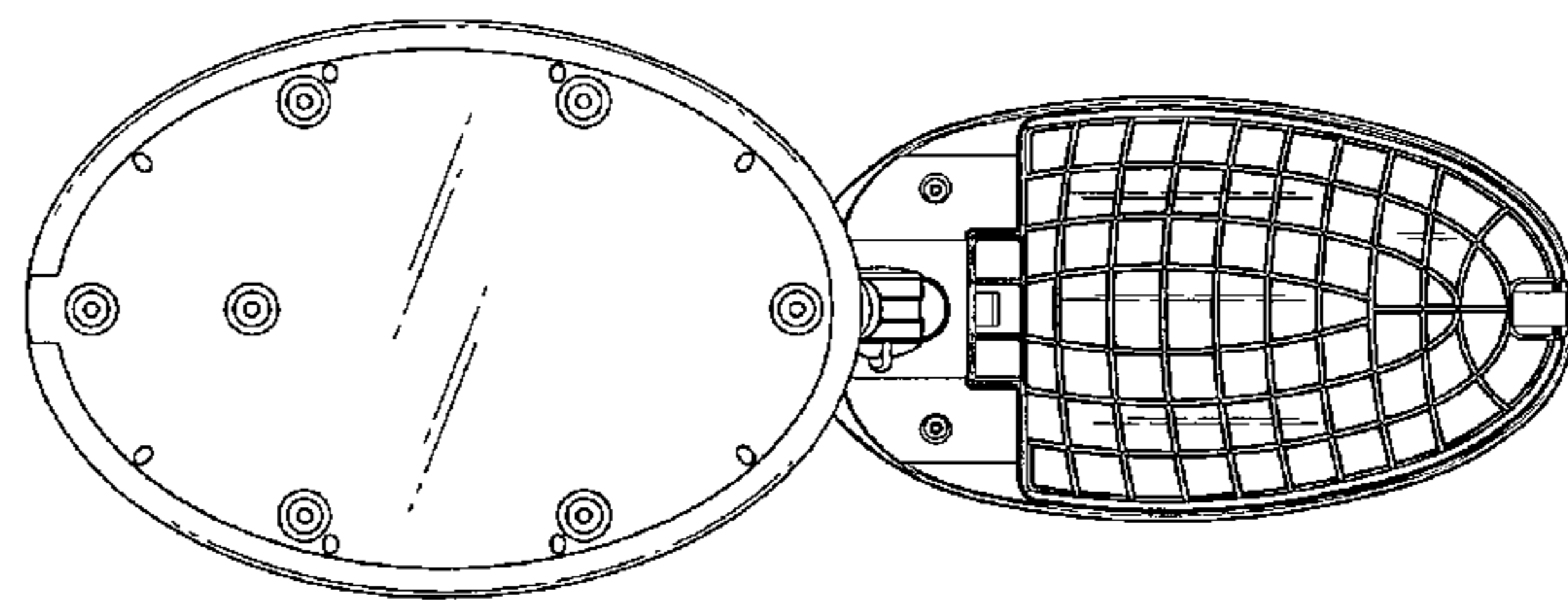
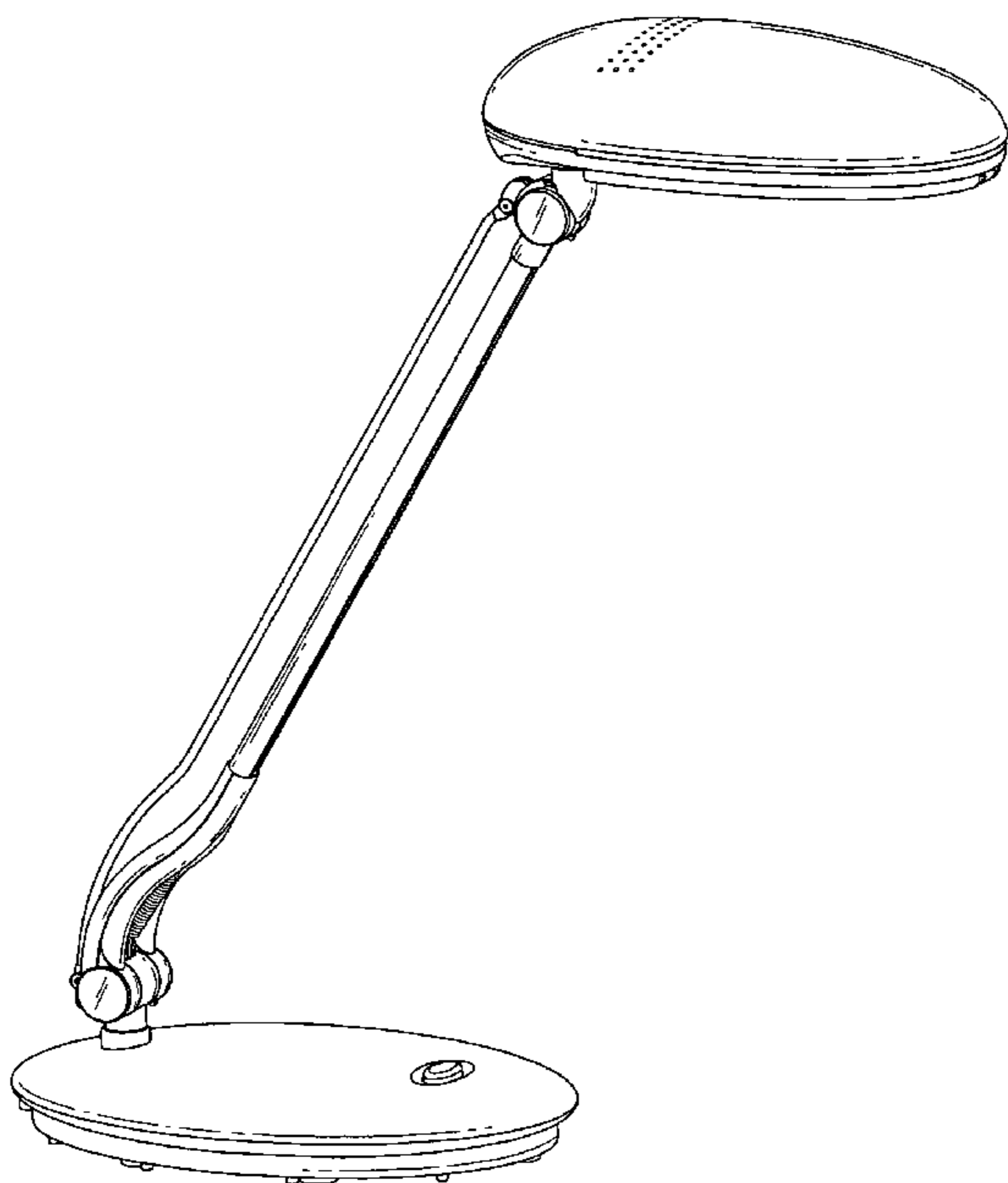
FIG. 4. is a left side elevational view thereof;

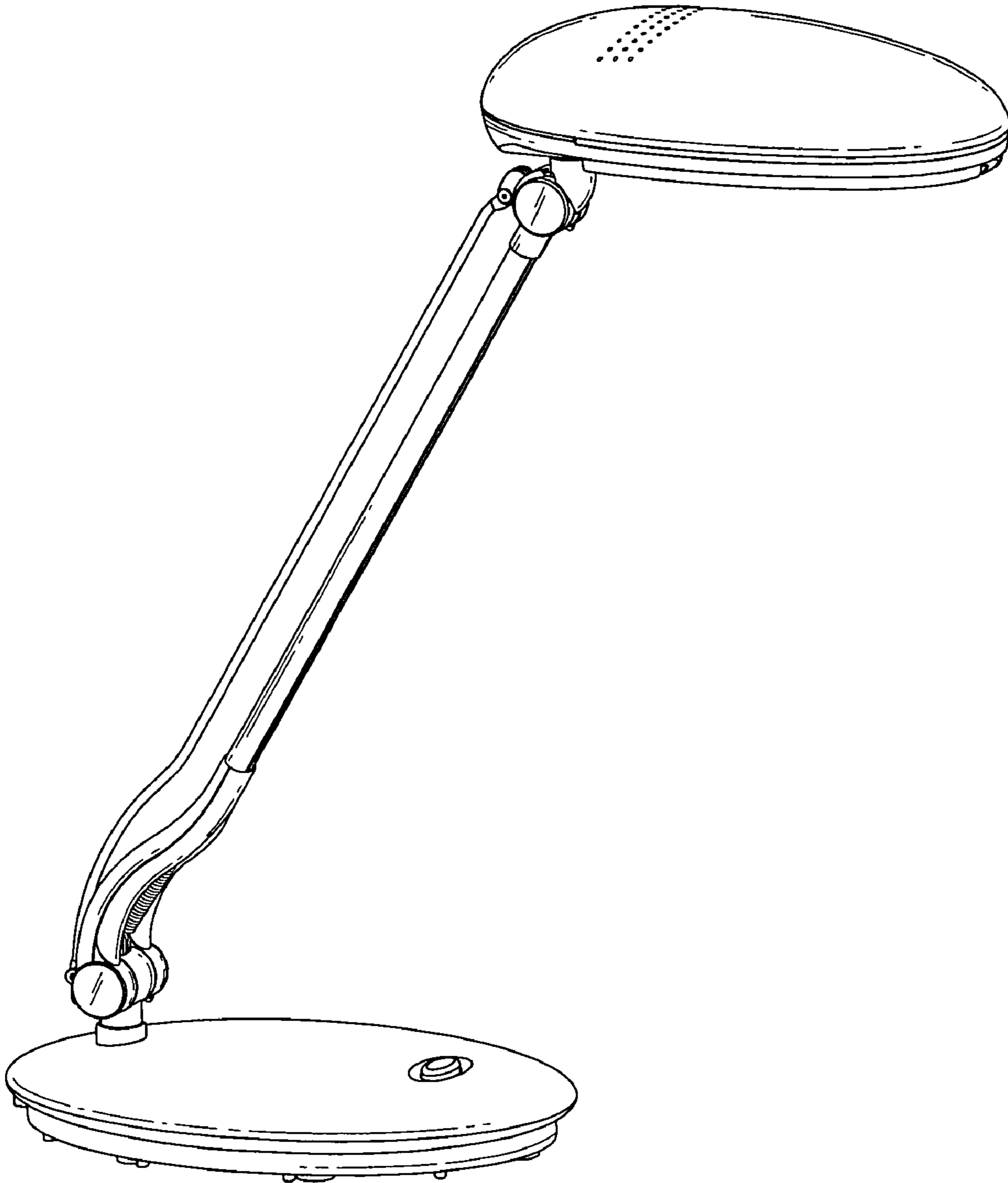
FIG. 5. is a right side elevational view thereof;

FIG. 6. is a top plan view thereof; and,

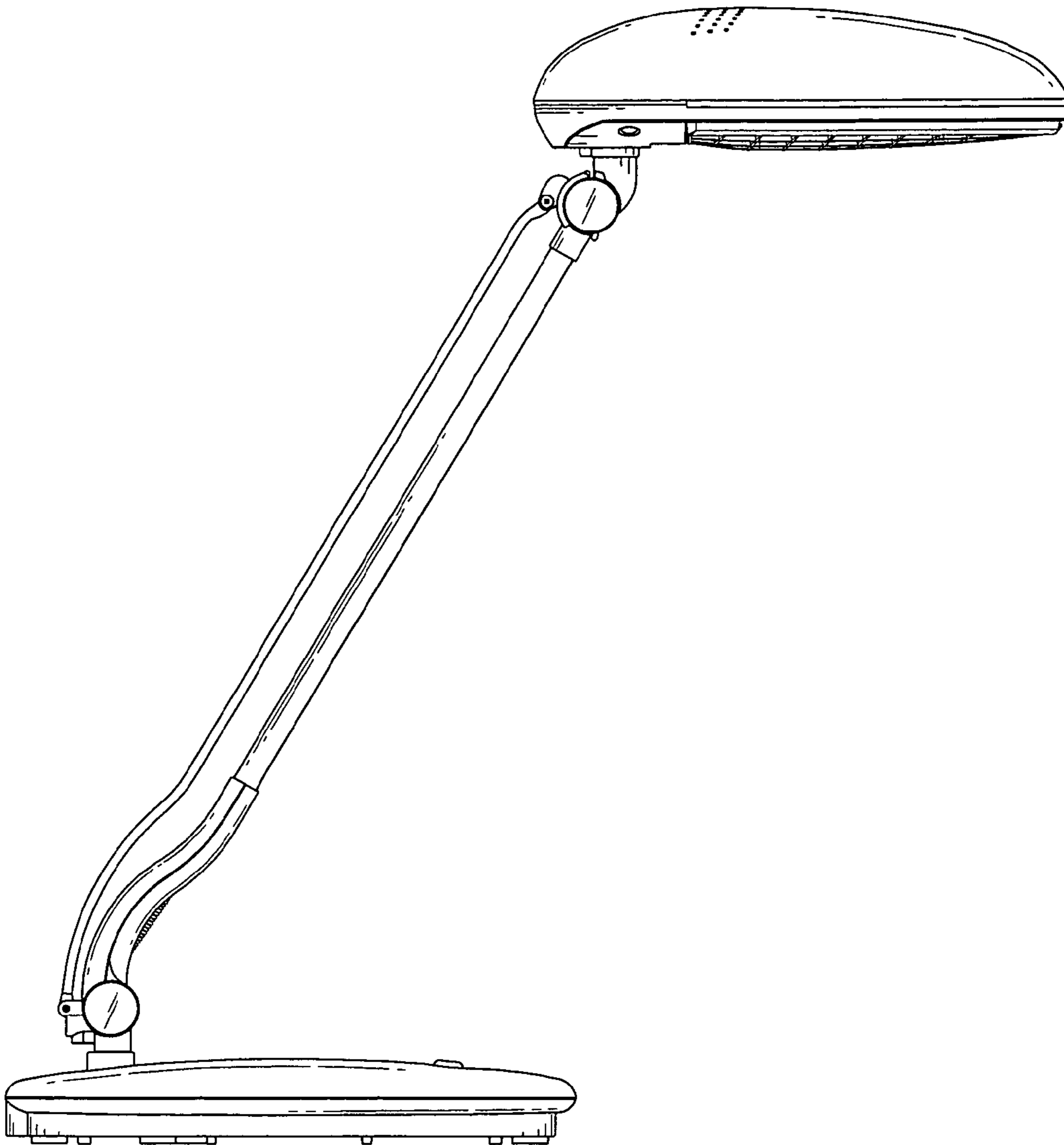
FIG. 7. is a bottom plan view thereof.

**1 Claim, 5 Drawing Sheets**

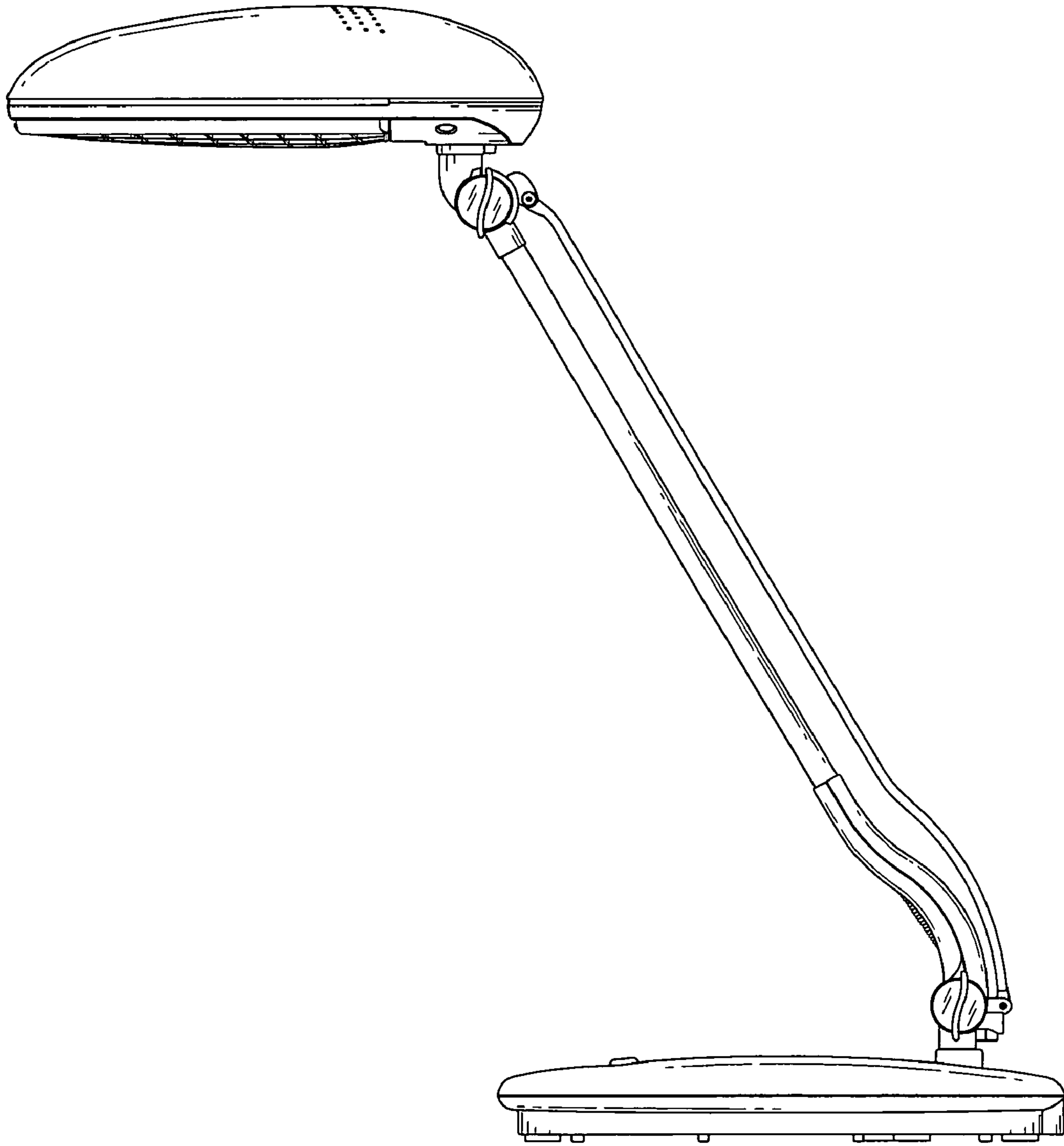




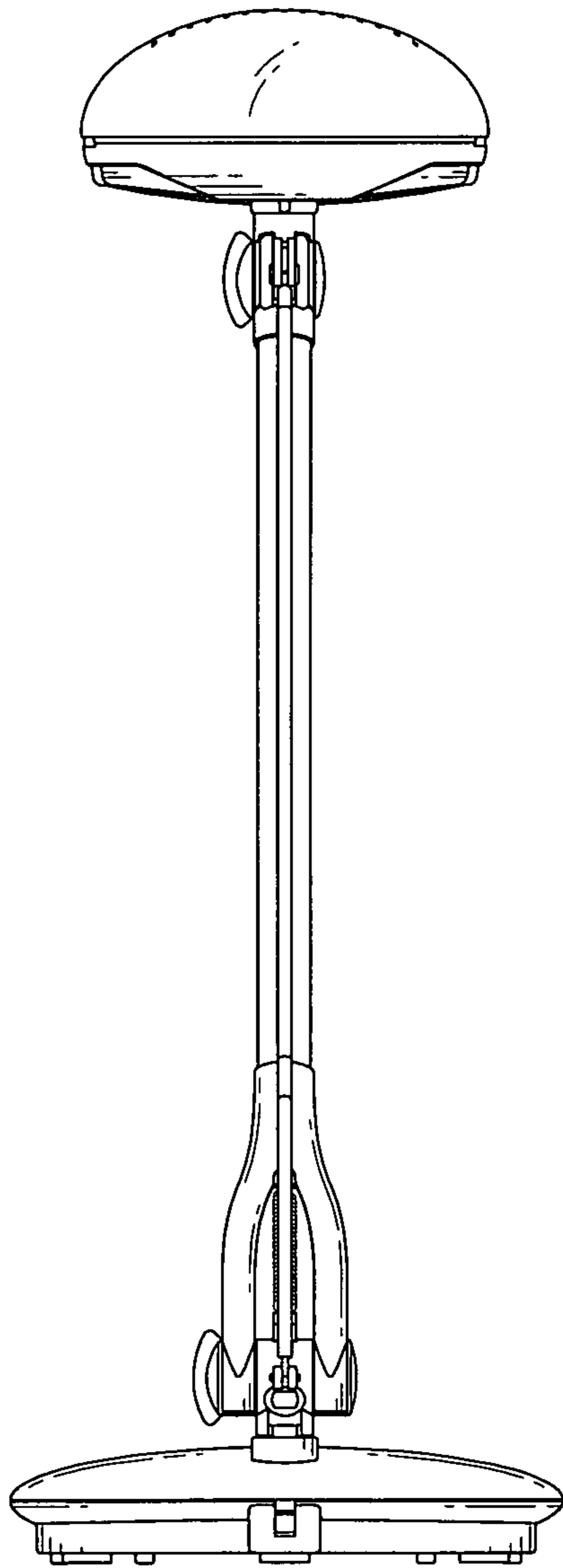
**FIG. 1**



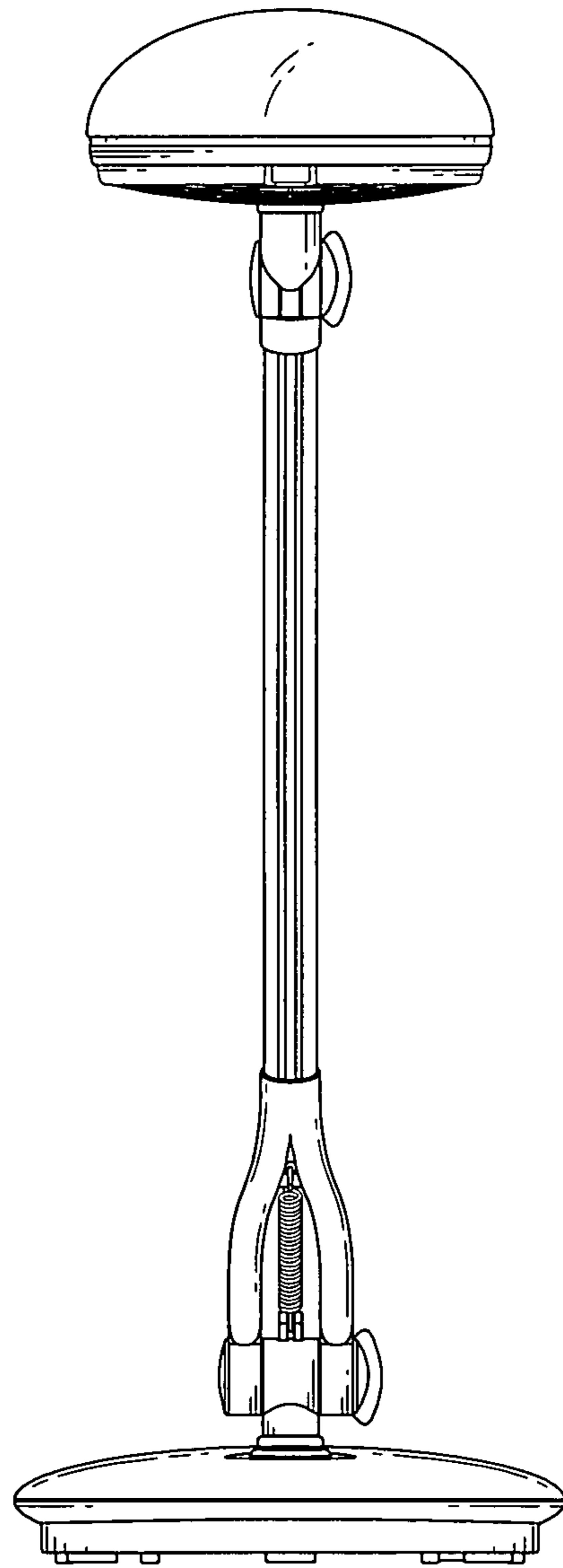
**FIG.2**



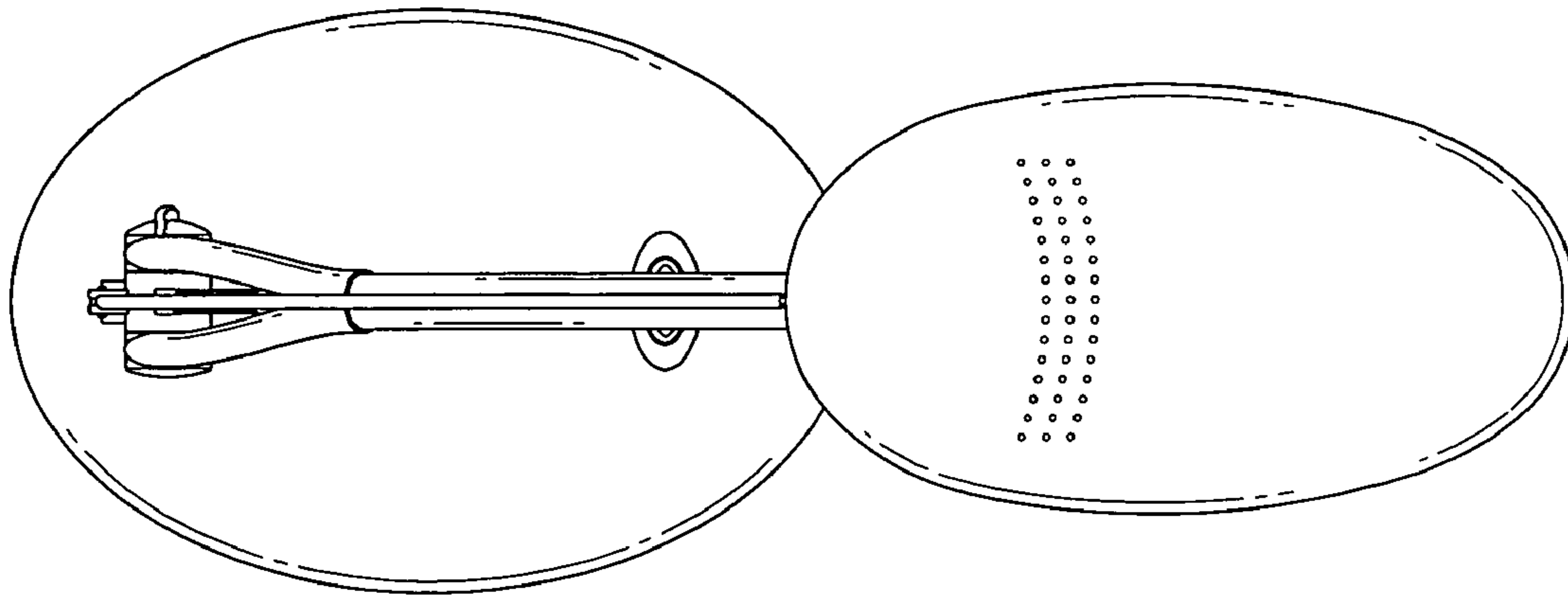
**FIG.3**



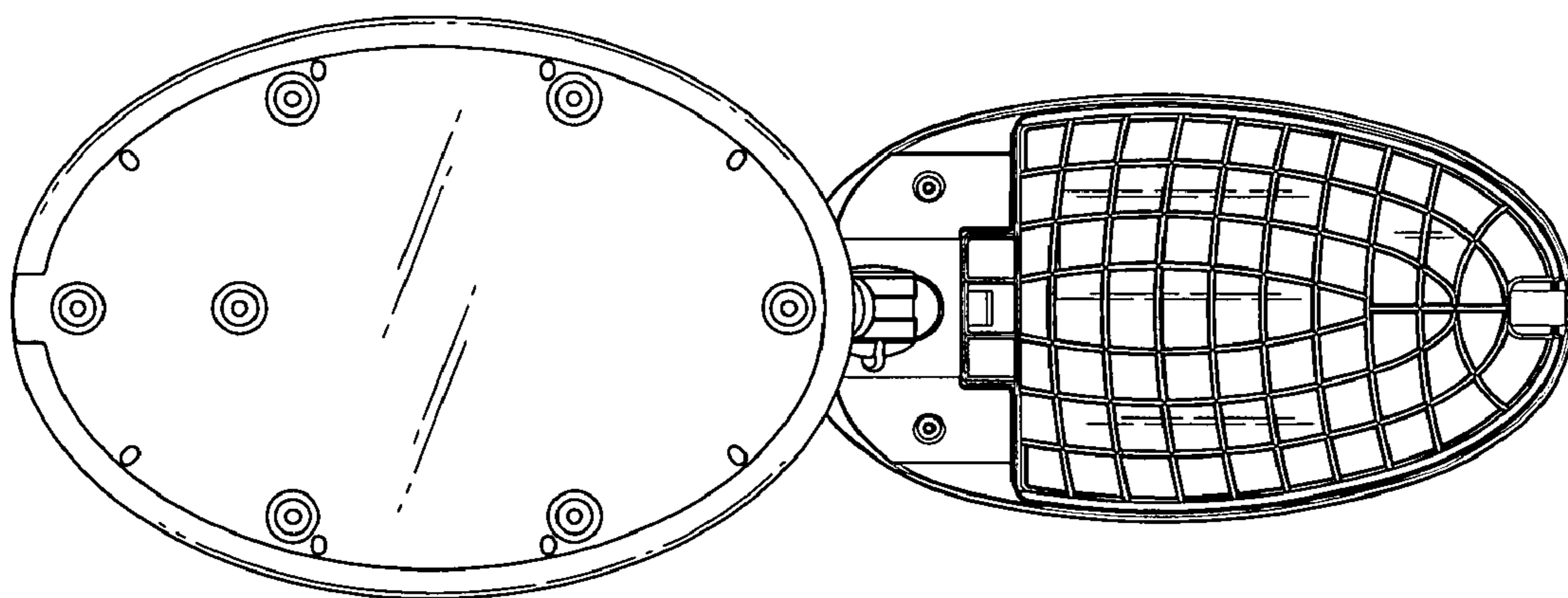
**FIG. 4**



**FIG. 5**



**FIG. 6**



**FIG. 7**