



US00D600385S

(12) **United States Design Patent**  
**Lippert**

(10) **Patent No.:** **US D600,385 S**

(45) **Date of Patent:** **\*\* Sep. 15, 2009**

(54) **PORTABLE LAMP**

(75) Inventor: **Helmut Lippert**, Breitenbrunn (DE)

(73) Assignee: **König & Meyer GmbH & Co. KG**,  
Wertheim (DE)

(\*\*) Term: **14 Years**

(21) Appl. No.: **29/294,409**

(22) Filed: **Jan. 9, 2008**

**Related U.S. Application Data**

(62) Division of application No. 29/239,046, filed on Sep. 23, 2005, now Pat. No. Des. 564,117.

(30) **Foreign Application Priority Data**

Mar. 23, 2005 (EP) ..... 000 326 715

(51) **LOC (9) Cl.** ..... **14-02**

(52) **U.S. Cl.** ..... **D26/62**

(58) **Field of Classification Search** ..... D26/61-63,  
D26/118, 93, 107; 362/269, 277, 278, 282,  
362/285, 287, 288, 410, 413, 418-430, 449  
See application file for complete search history.

(56) **References Cited**

**U.S. PATENT DOCUMENTS**

D337,842 S \* 7/1993 Yuen ..... D26/65  
D344,605 S \* 2/1994 Aspenwall ..... D26/76

D414,580 S \* 9/1999 Herst ..... D26/76  
D456,923 S \* 5/2002 König ..... D26/60  
RE40,158 E \* 3/2008 Weitgasser ..... D26/76

**OTHER PUBLICATIONS**

FreeScores.com; product name "Tasset", p. 5 of pdf; copyright 2000-2008; captured May 5, 2008.\*

Tasset.com; product name "K&M music stand Land StarLight 122/35", p. 1 of pdf; copyright 2005; captured May 5, 2008.\*

\* cited by examiner

*Primary Examiner*—Cathron C Brooks

*Assistant Examiner*—Barbara Fox

(74) *Attorney, Agent, or Firm*—Friedrich Kueffner

(57) **CLAIM**

The ornamental design for a portable lamp, as shown and described.

**DESCRIPTION**

FIG. 1 is a side view of an portable lamp showing my new design;

FIG. 2 is a another side view thereof;

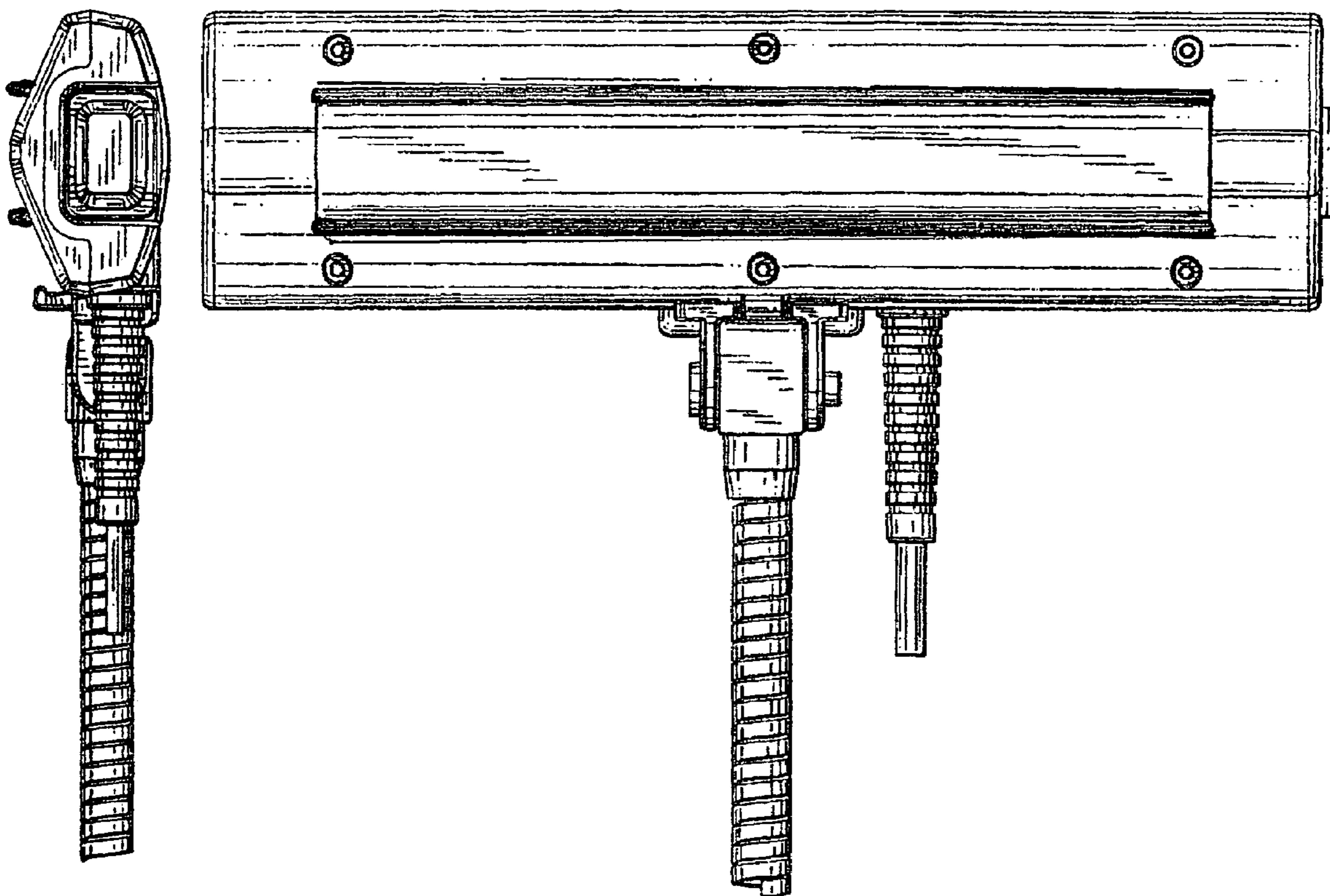
FIG. 3 is a front view thereof;

FIG. 4 is a bottom view thereof;

FIG. 5 is a top view thereof; and,

FIG. 6 is a rear view.

**1 Claim, 6 Drawing Sheets**



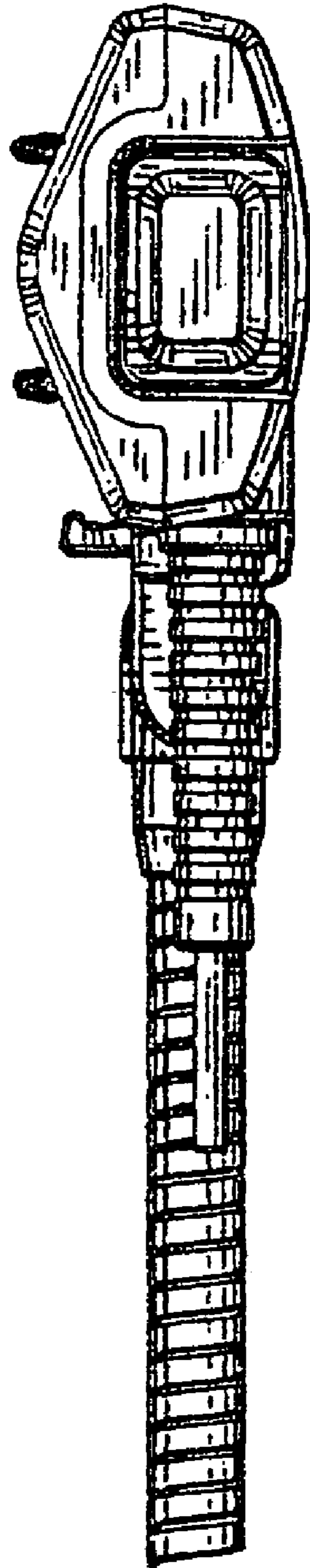


FIG. 1

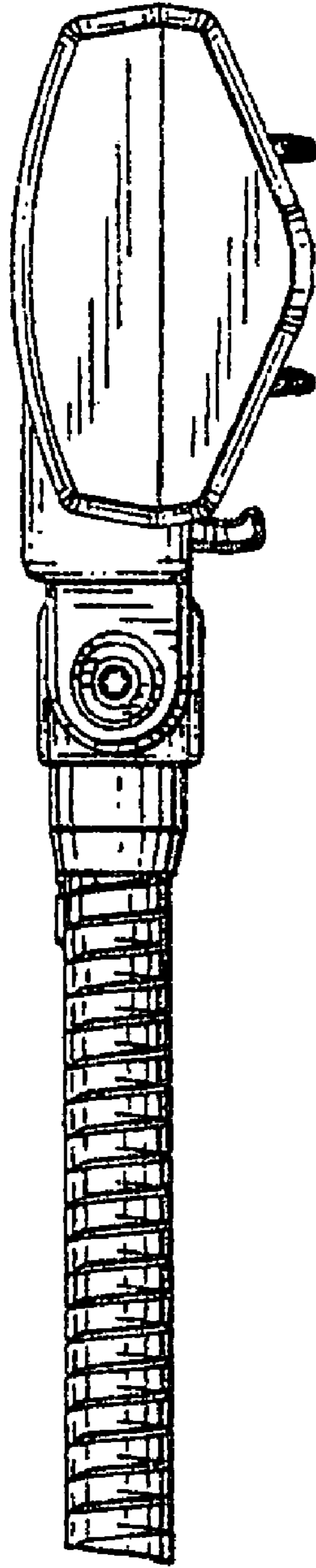


FIG. 2

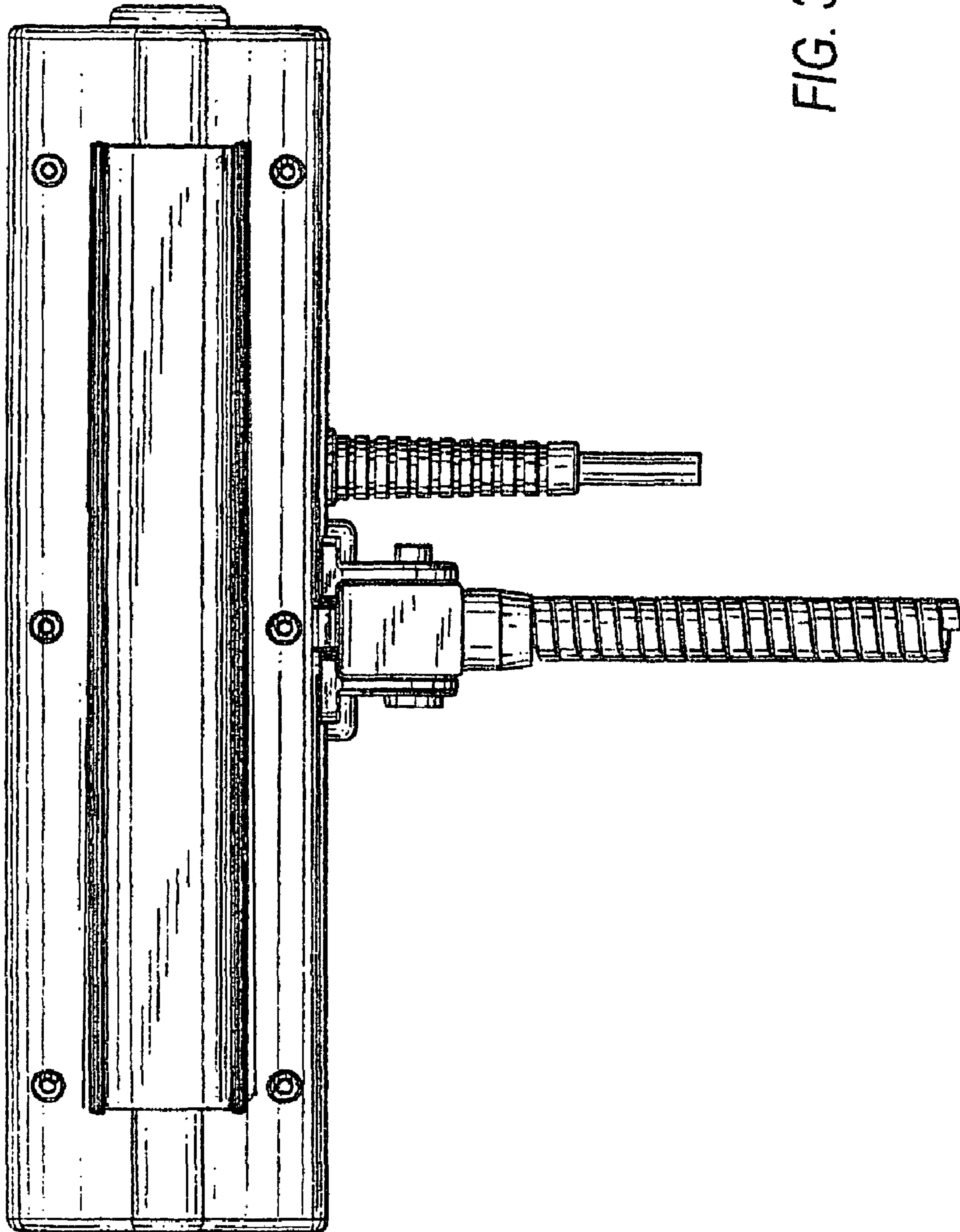


FIG. 3

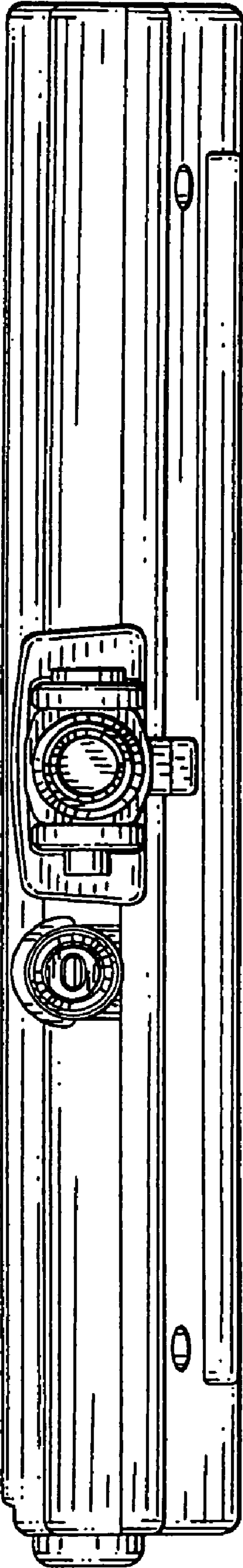


FIG. 4

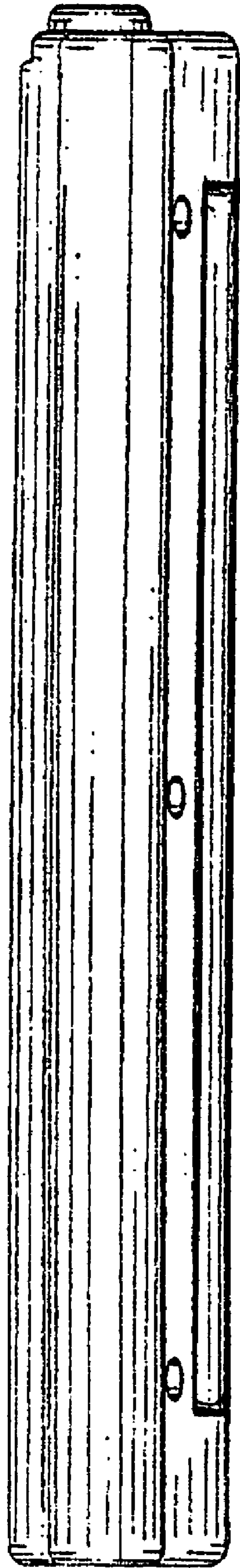


FIG. 5



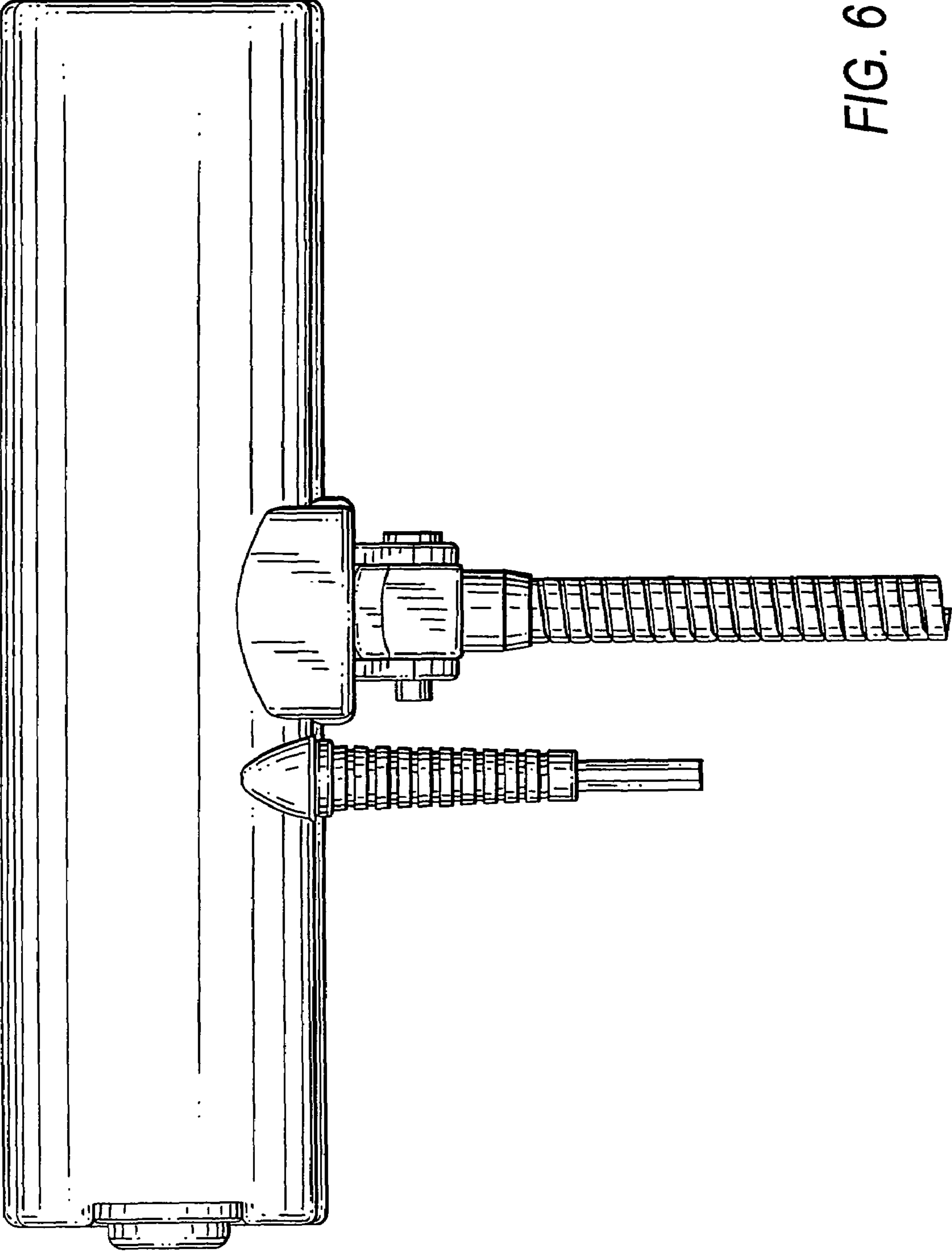


FIG. 6