



US00D600383S

(12) **United States Design Patent**  
**Chen**

(10) **Patent No.:** **US D600,383 S**

(45) **Date of Patent:** **\*\* Sep. 15, 2009**

(54) **LED FLASHLIGHT**

(75) Inventor: **Chi Gon Chen**, Guang Zhou (CN)

(73) Assignee: **International Development LLC**,  
Roanoke, TX (US)

(\*\*) Term: **14 Years**

(21) Appl. No.: **29/326,387**

(22) Filed: **Oct. 16, 2008**

(51) **LOC (9) Cl.** ..... **26-02**

(52) **U.S. Cl.** ..... **D26/49**

(58) **Field of Classification Search** ..... D26/37,  
D26/46, 48, 49, 50; 362/157, 158, 183, 184,  
362/194, 195, 196, 202–208

See application file for complete search history.

(56) **References Cited**

**U.S. PATENT DOCUMENTS**

D480,493 S *	10/2003	Liou	.....	D26/49
D481,818 S *	11/2003	Mah	.....	D26/49
D496,115 S *	9/2004	Lin	.....	D26/49
D520,167 S *	5/2006	Garrity	.....	D26/49
D520,661 S *	5/2006	Chien	.....	D26/49
D535,772 S *	1/2007	Krieger et al.	.....	D26/49
D536,118 S *	1/2007	Krieger et al.	.....	D26/49

D536,465 S *	2/2007	Krieger et al.	.....	D26/49
D555,267 S *	11/2007	Lin	.....	D26/49

\* cited by examiner

*Primary Examiner*—Ian Simmons

*Assistant Examiner*—Carissa C Fitts

(74) *Attorney, Agent, or Firm*—David W. Carstens; Carstens & Cahoon, LLP

(57) **CLAIM**

The ornamental design for a LED flashlight, as shown and described.

**DESCRIPTION**

FIG. 1 is a perspective view of the LED flashlight of the present invention;

FIG. 2 is a top plan view thereof;

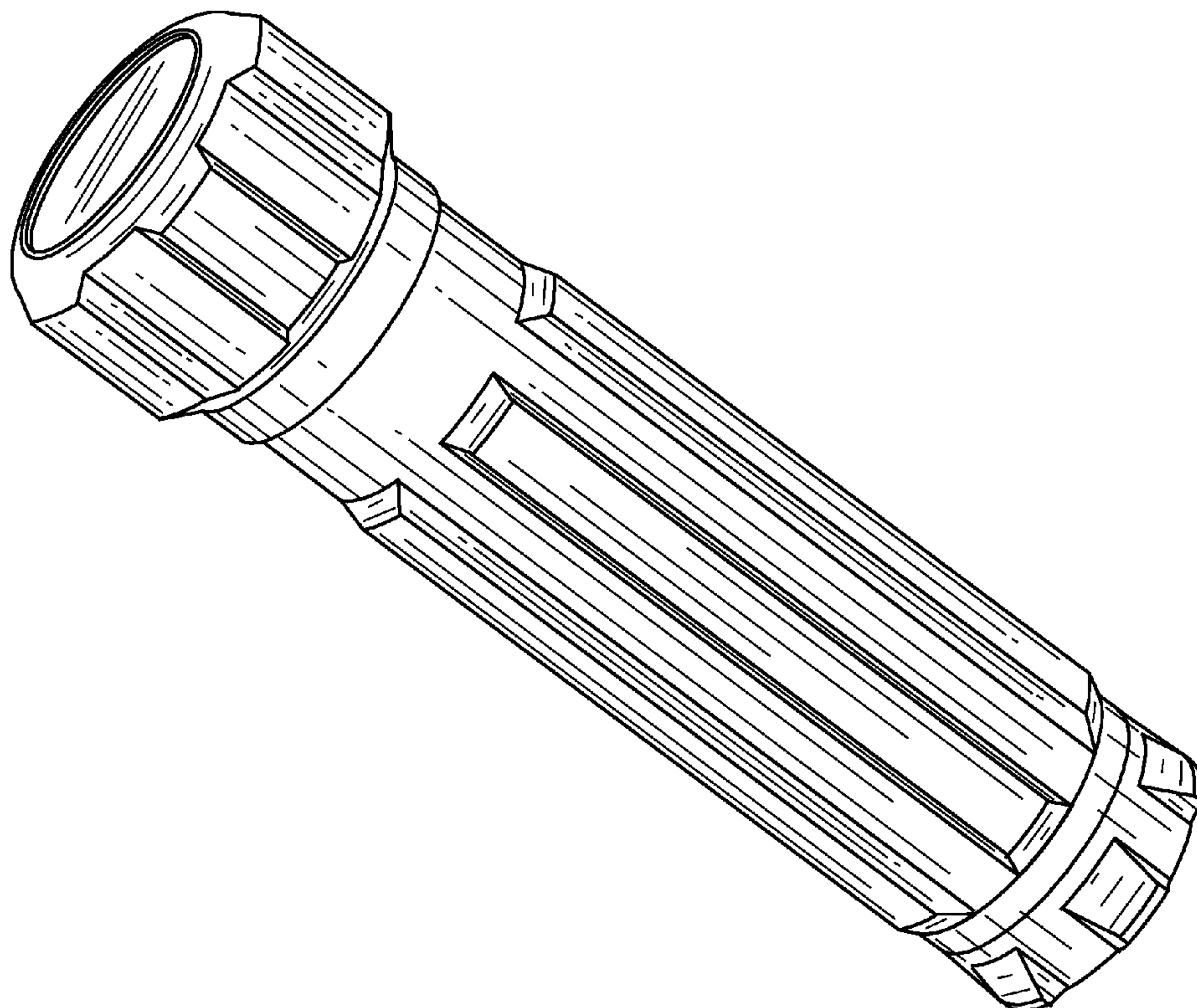
FIG. 3 is a front elevation view; the rear elevation view being the same;

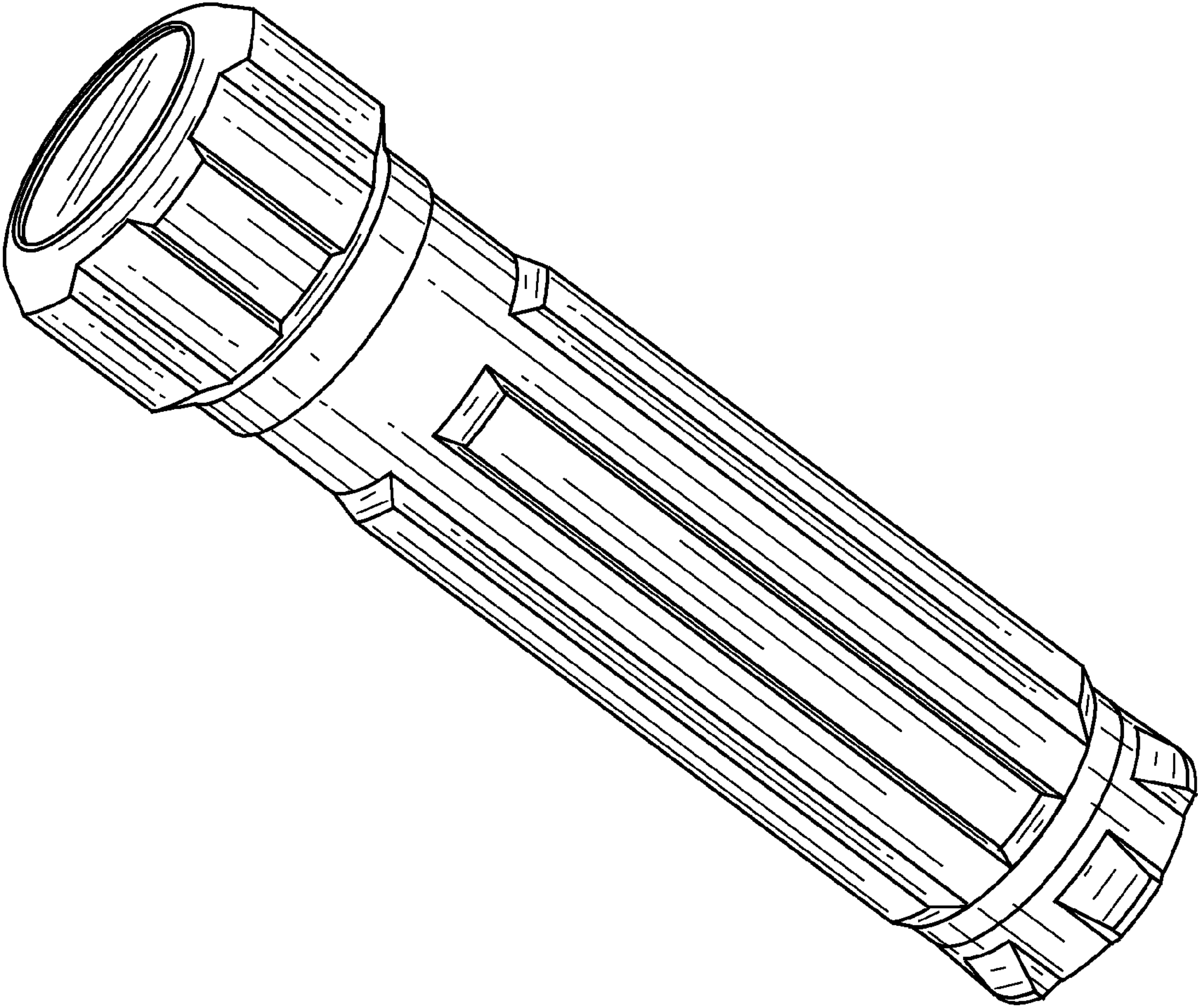
FIG. 4 is a left side elevation view; the right side elevation view being the same; and,

FIG. 5 is a bottom plan view.

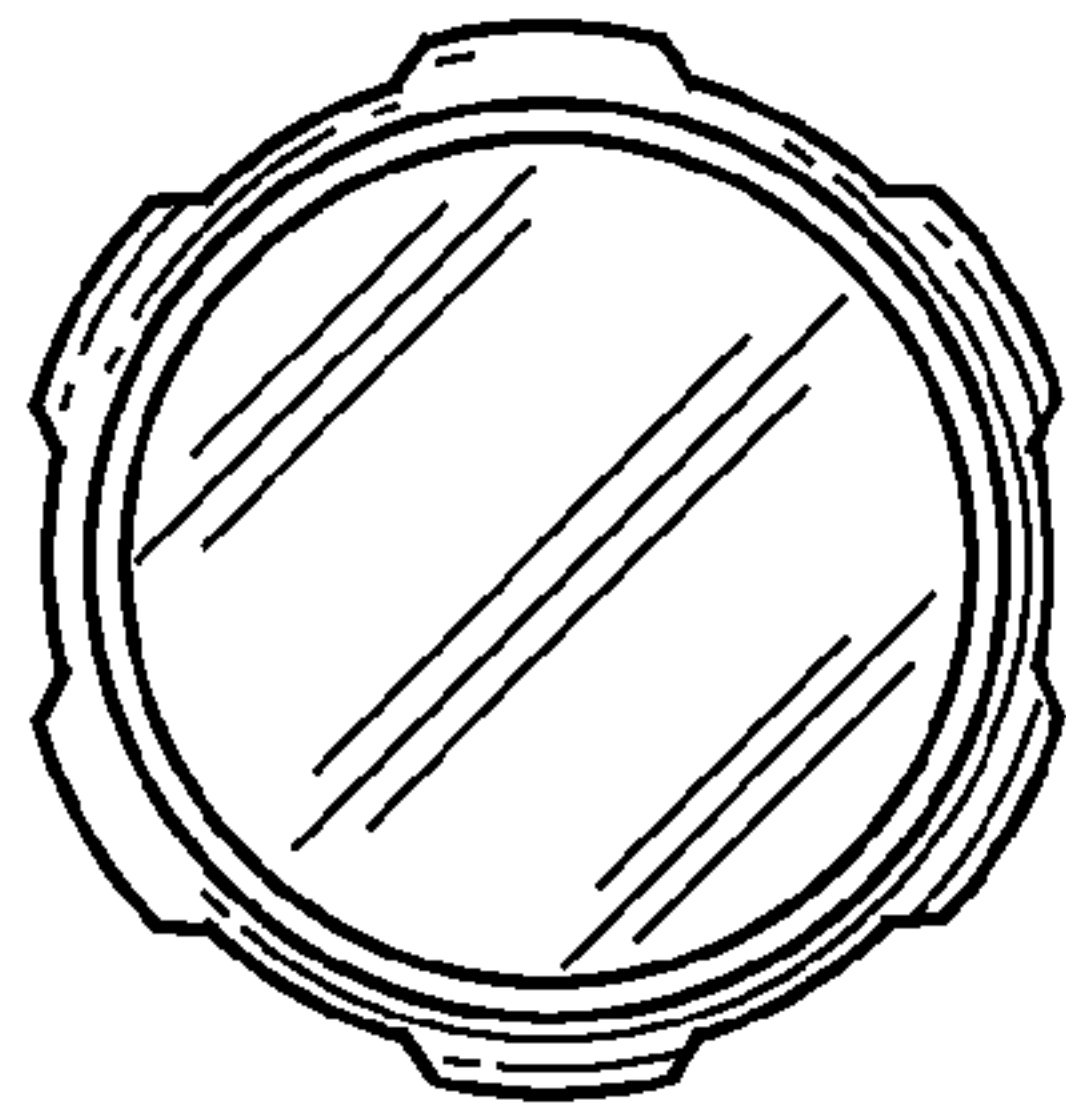
The broken line showing is for environmental purposes only and forms no part of the claimed design.

**1 Claim, 2 Drawing Sheets**

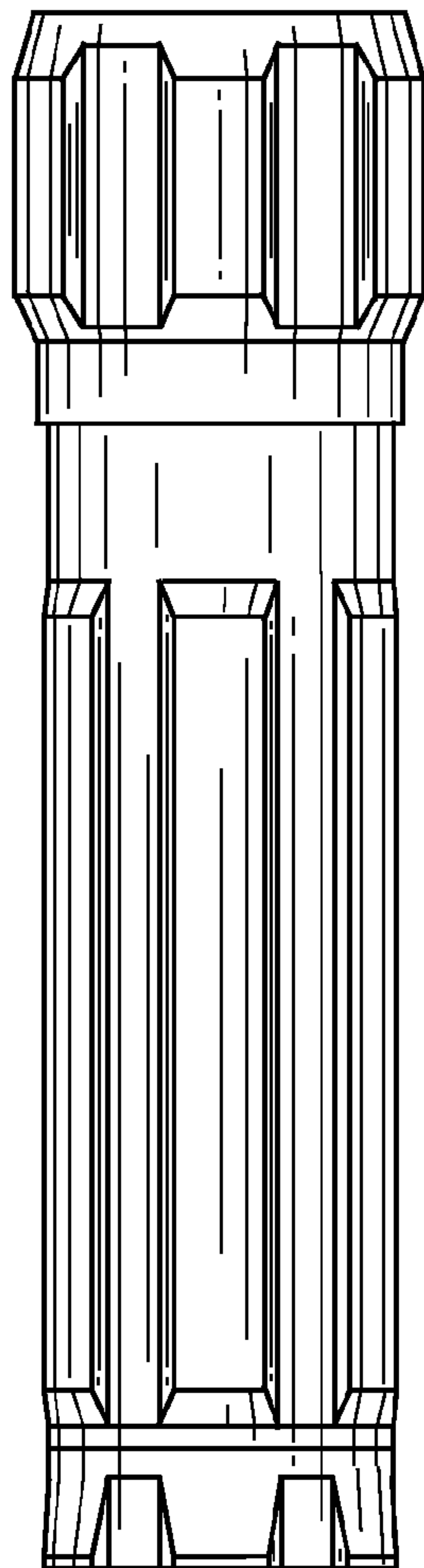




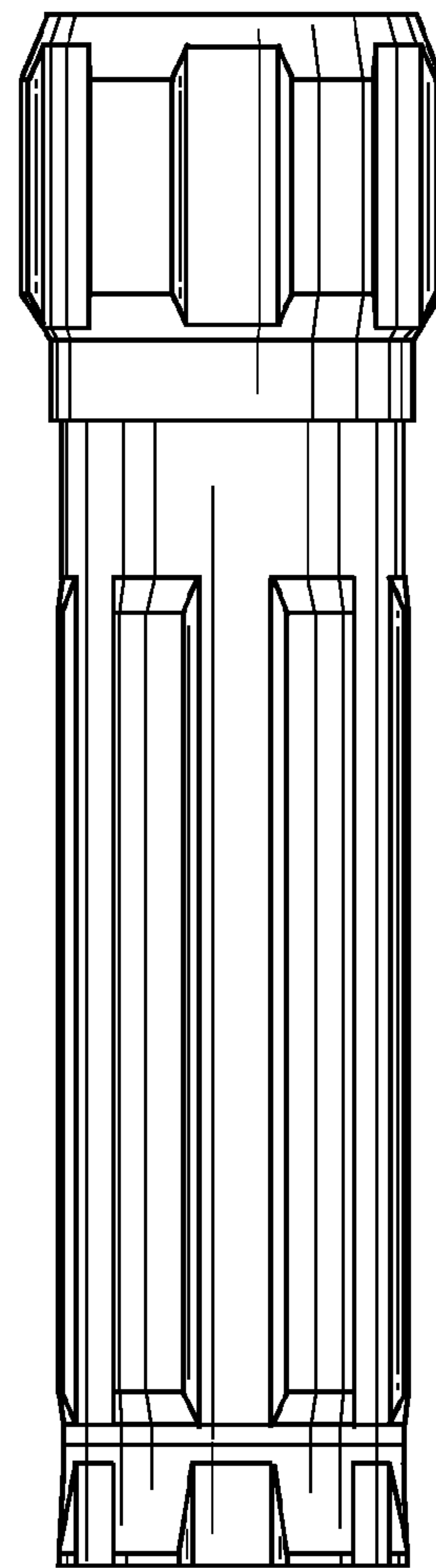
*Fig. 1*



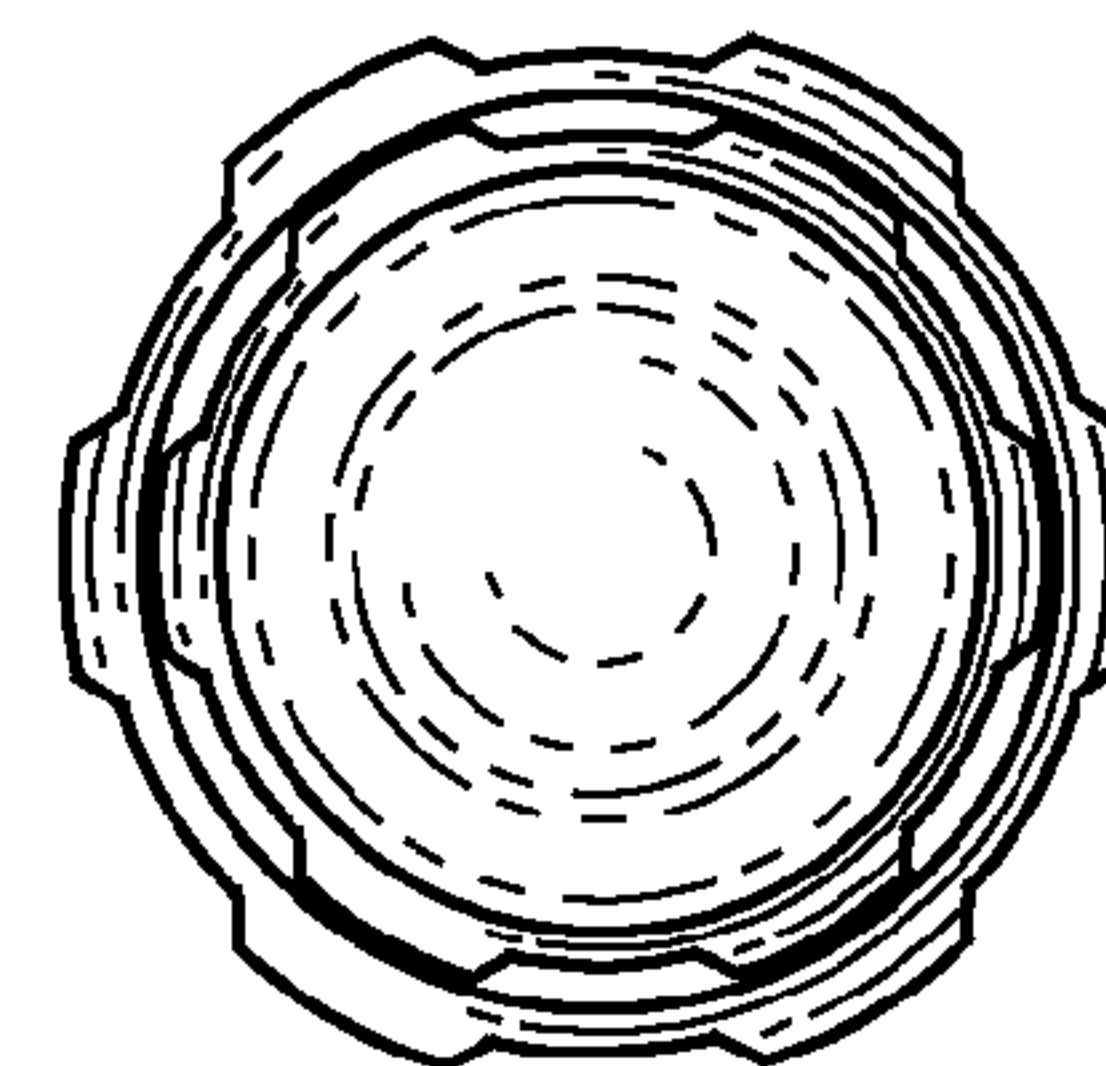
*Fig. 2*



*Fig. 3*



*Fig. 4*



*Fig. 5*