



US00D600381S

(12) **United States Design Patent**
Choi

(10) **Patent No.:** **US D600,381 S**

(45) **Date of Patent:** **** Sep. 15, 2009**

(54) **CAT FLASHLIGHT**

D564,684 S * 3/2008 Leung et al. D26/37

(75) Inventor: **Taiwon Choi**, Chicago, IL (US)

* cited by examiner

(73) Assignee: **American Tack and Hardware Co., Inc.**, Saddle River, NJ (US)

Primary Examiner—Ian Simmons

Assistant Examiner—Carissa C Fitts

(**) Term: **14 Years**

(74) *Attorney, Agent, or Firm*—Hedman & Costigan, PC;
Kathleen A. Costigan

(21) Appl. No.: **29/330,242**

(57) **CLAIM**

(22) Filed: **Dec. 31, 2008**

The ornamental design for a cat flashlight, as shown and described.

(51) **LOC (9) Cl.** **26-02**

(52) **U.S. Cl.** **D26/47; D26/37**

(58) **Field of Classification Search** D26/37,
D26/38, 39, 40, 46, 47, 51; 362/157, 158,
362/190–208, 183

See application file for complete search history.

DESCRIPTION

FIG. 1 is a front and left side perspective view of a cat flashlight showing my new design;

FIG. 2 is a front elevational view thereof;

FIG. 3 is a rear elevational view thereof;

FIG. 4 is a right side elevational view thereof;

FIG. 5 is a left side elevational view thereof;

FIG. 6 is a top plan view thereof; and,

FIG. 7 is a bottom plan view thereof.

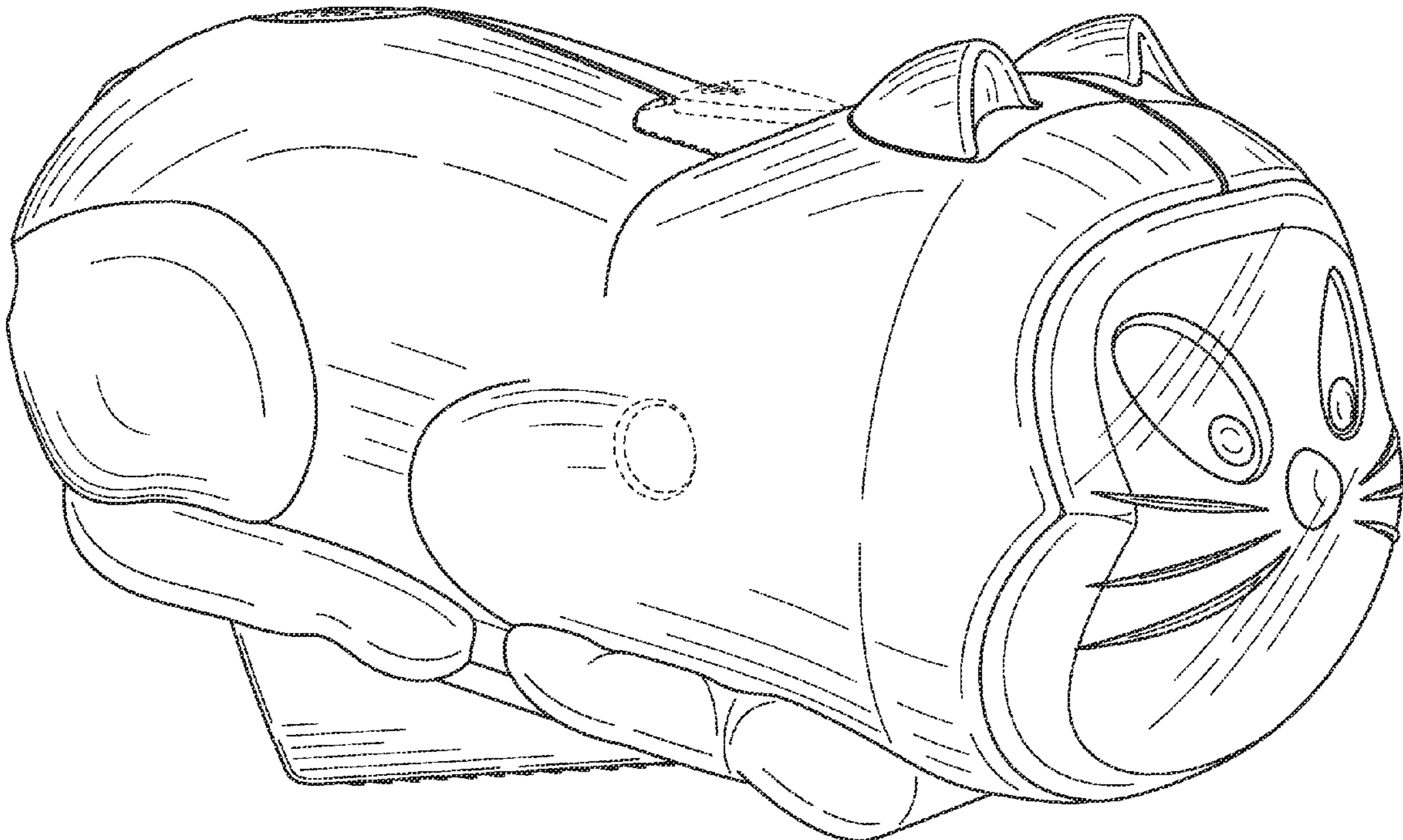
The broken-line disclosure of elements in the views are understood to be environmental aspects of the article in which the design is embodied and form no part of the claimed design.

(56) **References Cited**

U.S. PATENT DOCUMENTS

D71,565 S *	11/1926	Royal	D26/98
D123,685 S *	11/1940	Sokoloff	D21/617
D288,220 S *	2/1987	Su	D21/590
D338,290 S *	8/1993	Bart	D32/18
D537,182 S *	2/2007	Chou	D26/37
D543,649 S *	5/2007	Bhavnani	D26/37
D544,119 S *	6/2007	Ding et al.	D26/37
D555,818 S *	11/2007	Crawford	D26/37
D557,837 S *	12/2007	Shiu	D26/37

1 Claim, 5 Drawing Sheets



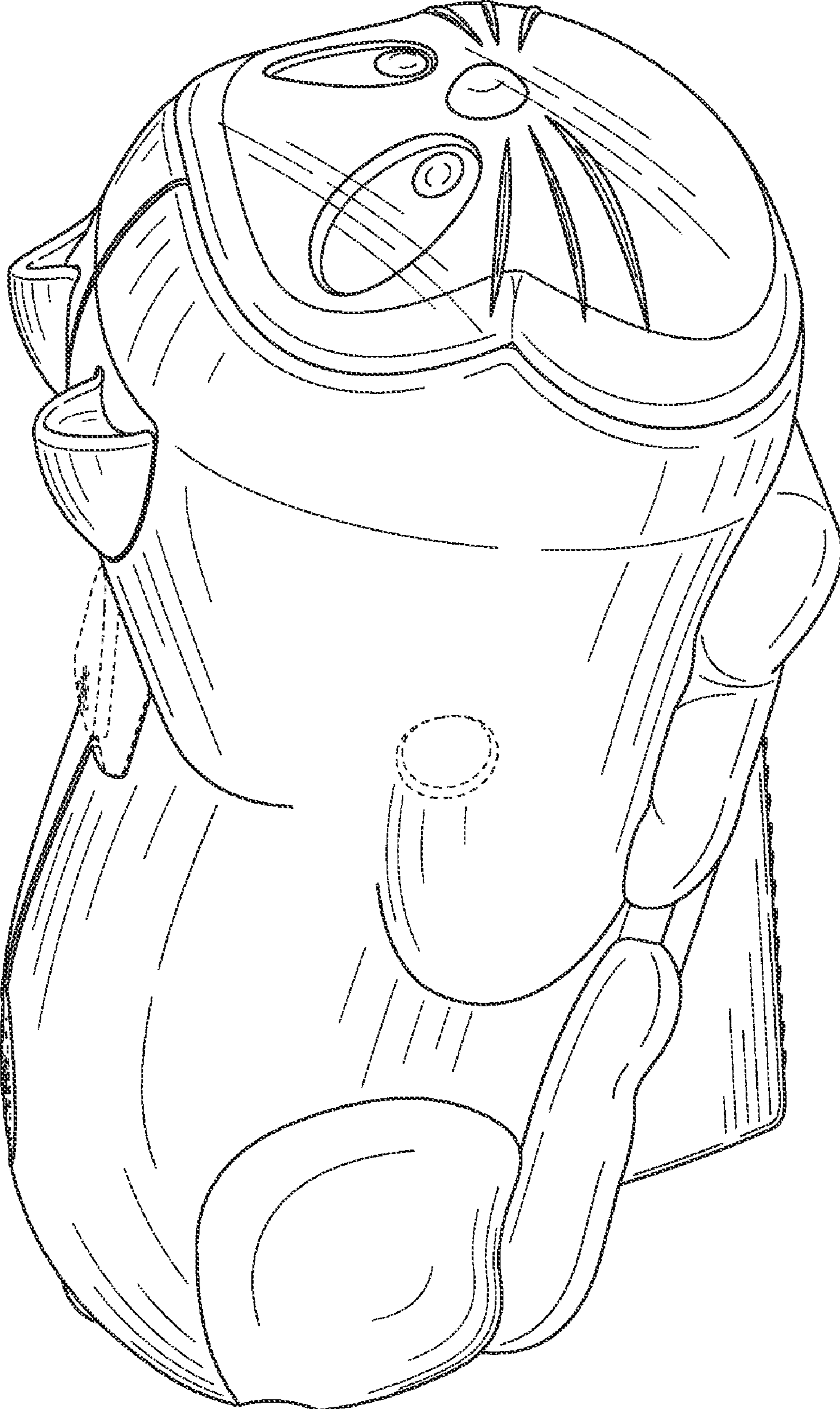


FIG. 1

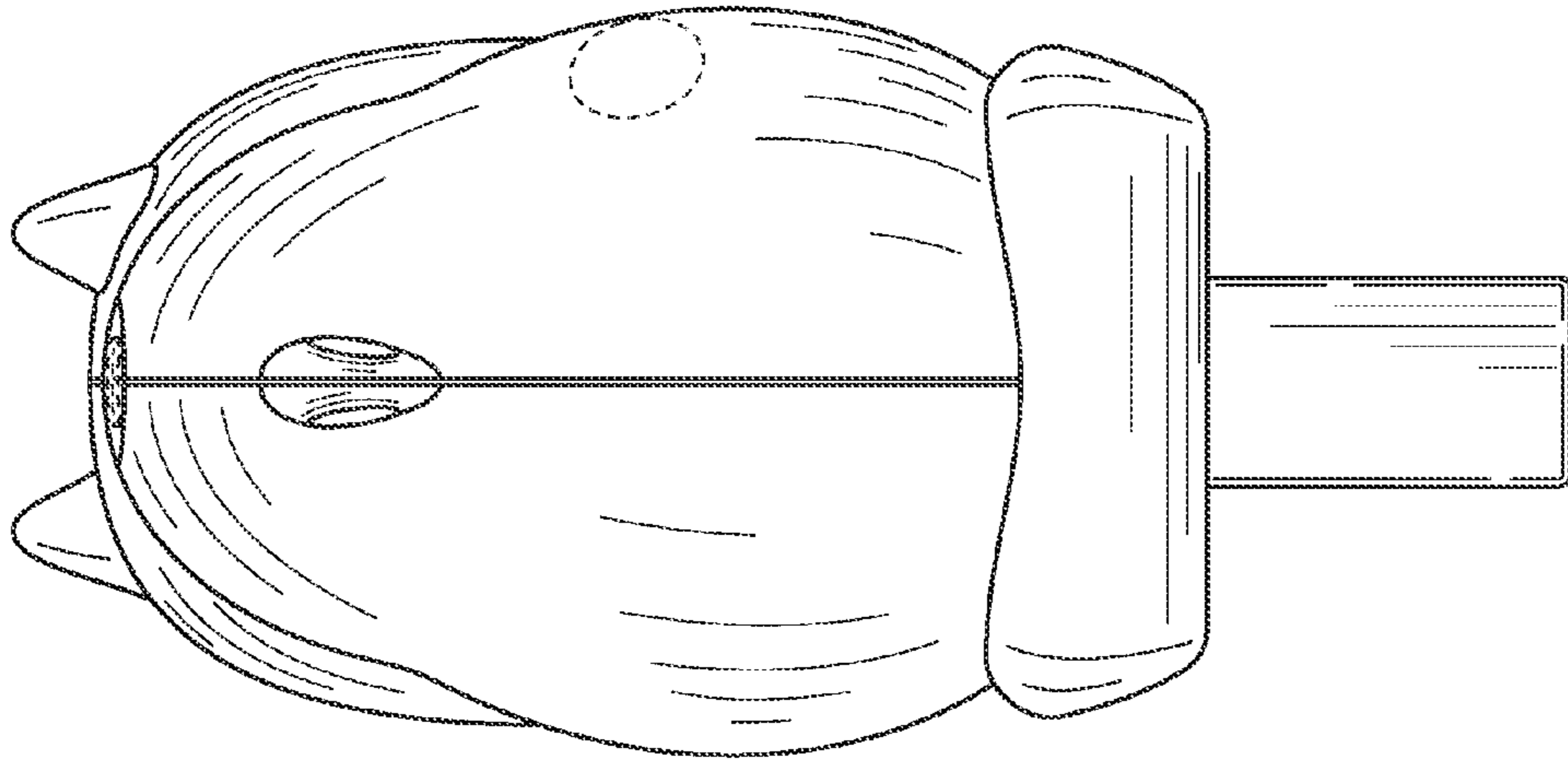


FIG. 3

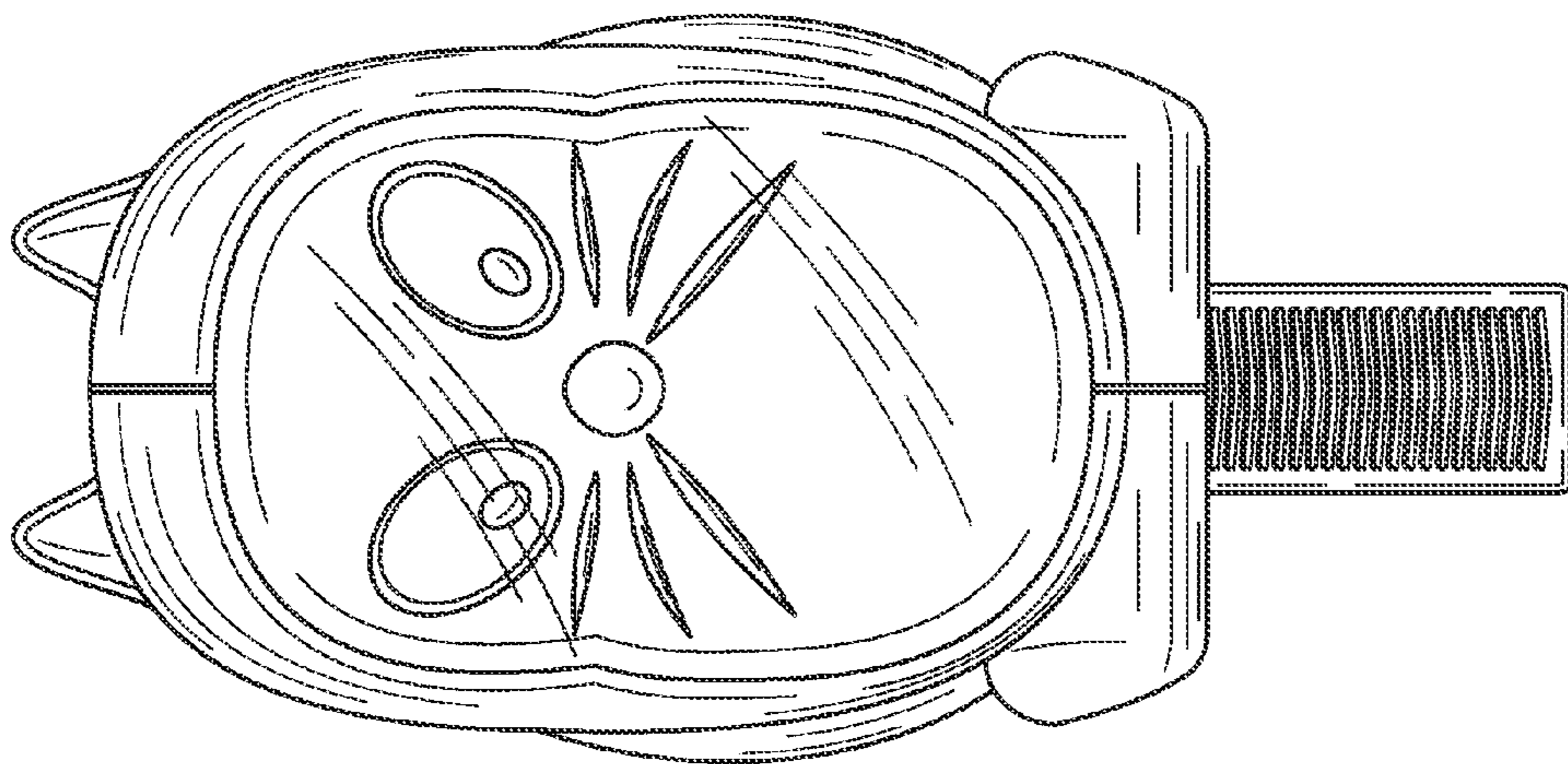


FIG. 2

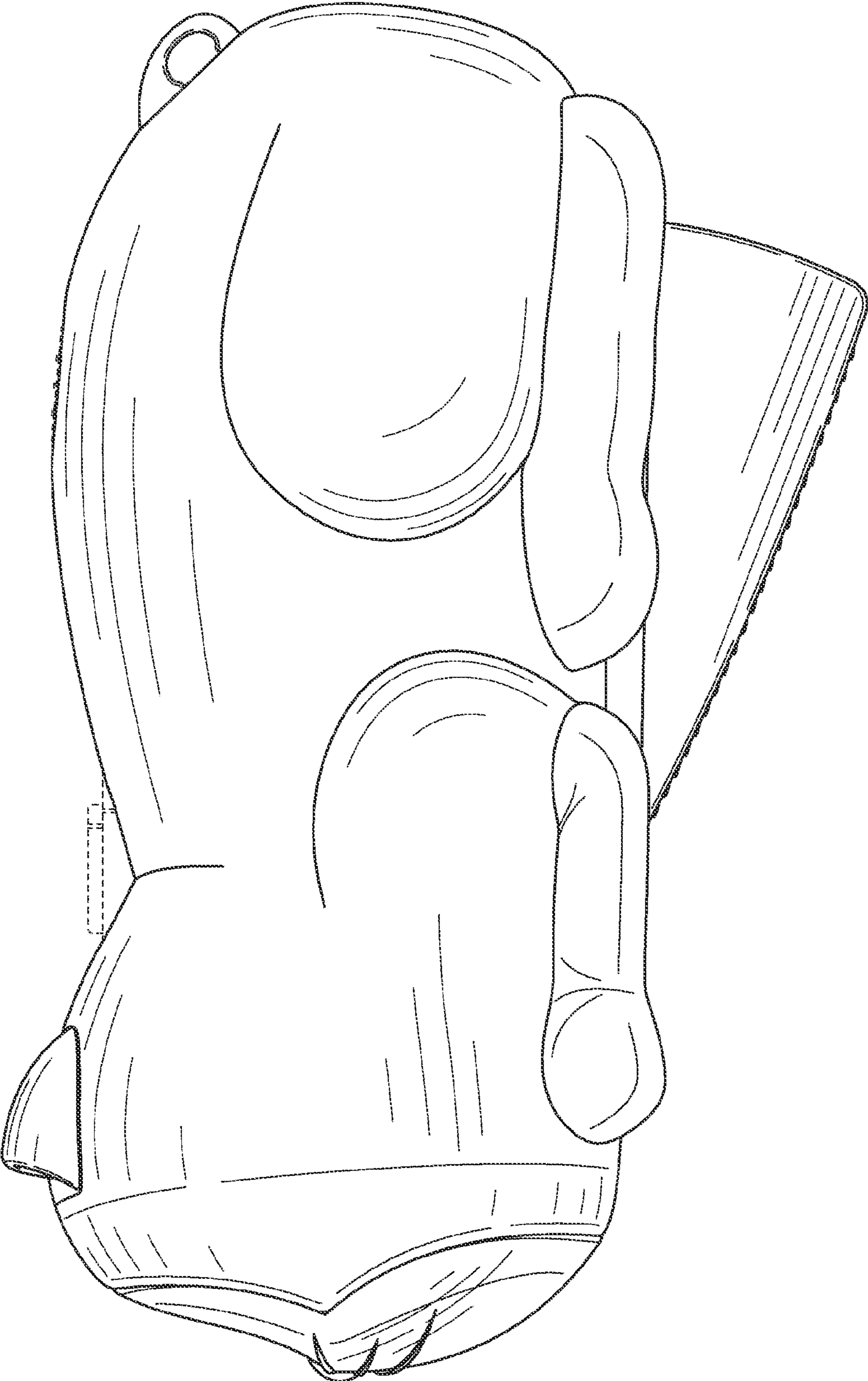


FIG. 4

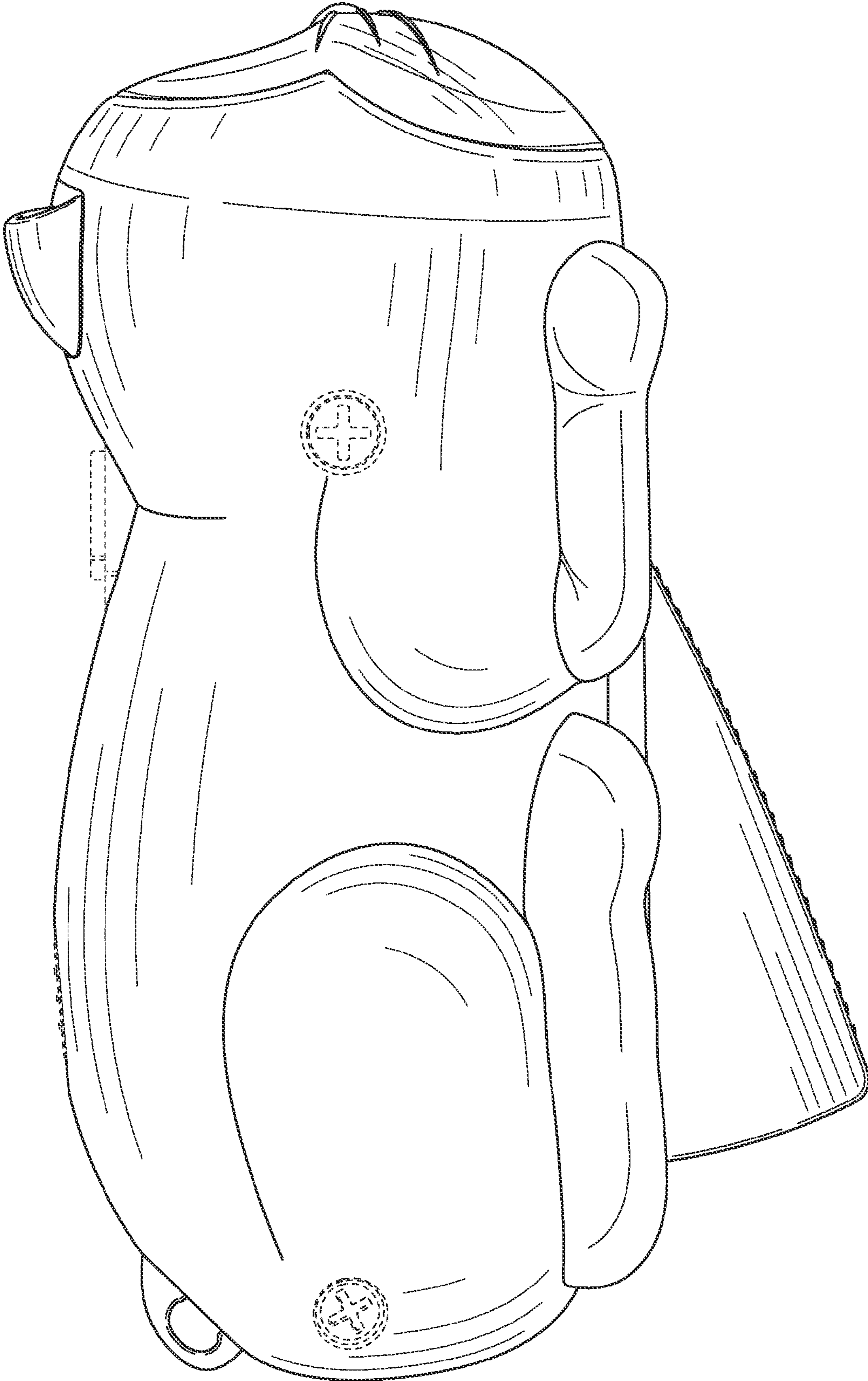


FIG. 5

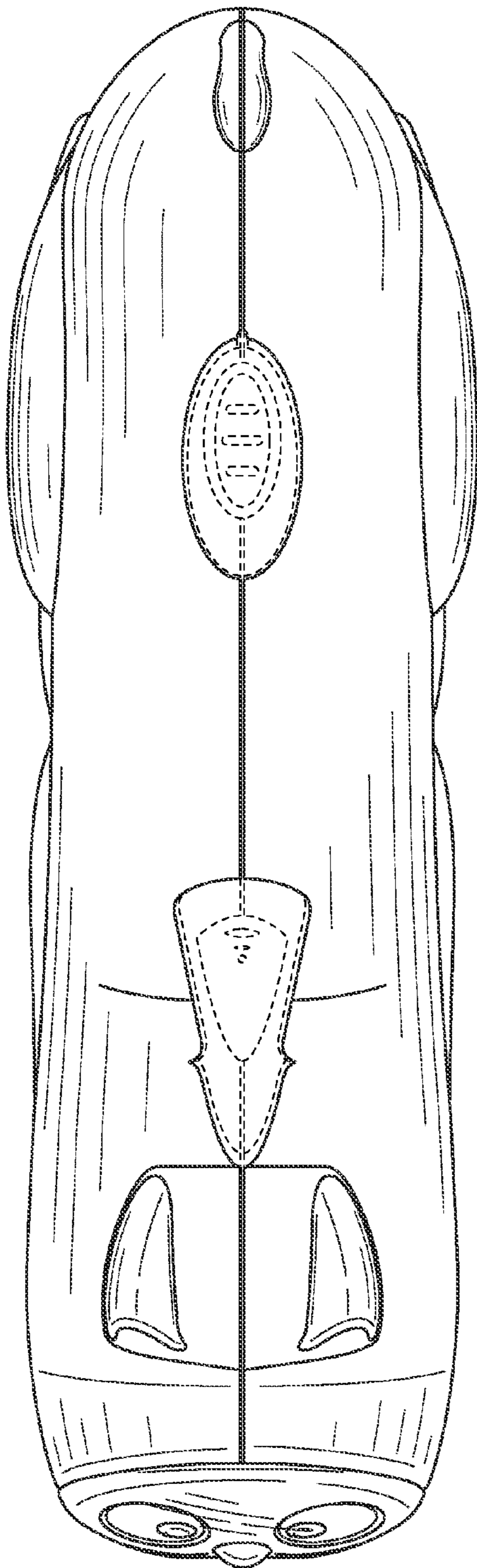


FIG. 6

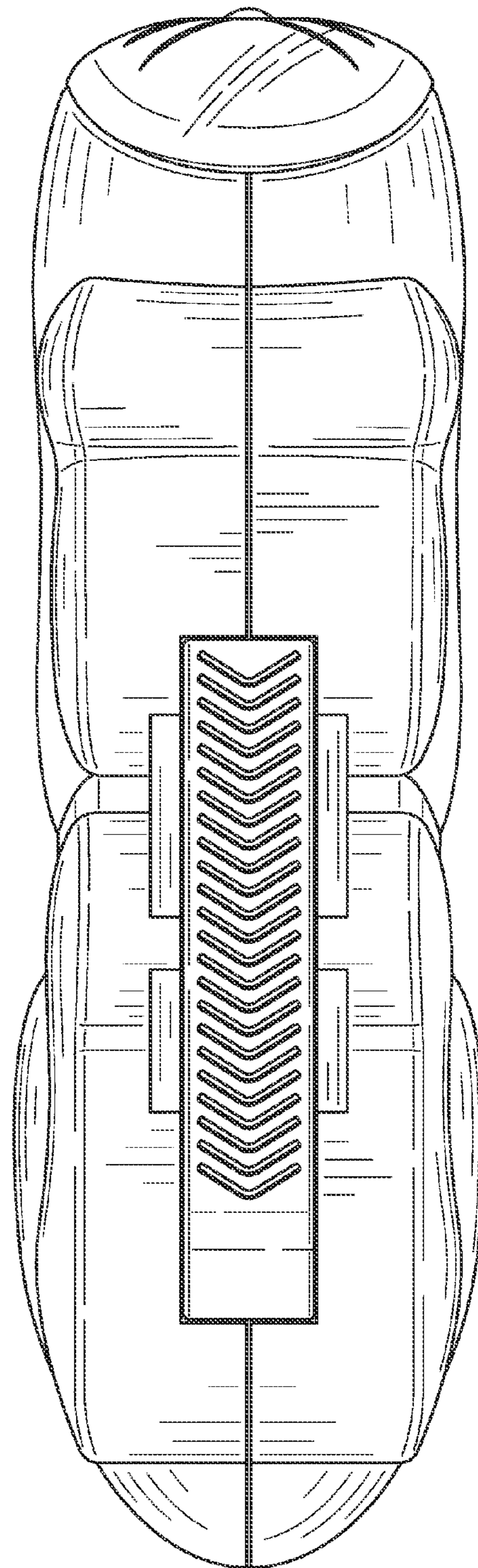


FIG. 7