



US00D600378S

(12) **United States Design Patent**
Choi

(10) **Patent No.:** **US D600,378 S**

(45) **Date of Patent:** **** Sep. 15, 2009**

(54) **FLASHLIGHT**

(75) Inventor: **Taiwon Choi**, Chicago, IL (US)

(73) Assignee: **American Tack and Hardware Co., Inc.**, Saddle River, NJ (US)

(**) Term: **14 Years**

(21) Appl. No.: **29/330,244**

(22) Filed: **Dec. 31, 2008**

(51) **LOC (9) Cl.** **24-02**

(52) **U.S. Cl.** **D26/37**

(58) **Field of Classification Search** D26/37,
D26/38, 39, 40, 43, 46, 47, 51; 362/192,
362/193, 124, 190, 191, 157, 158, 183, 194-208
See application file for complete search history.

(56) **References Cited**

U.S. PATENT DOCUMENTS

D537,182 S *	2/2007	Chou	D26/37
D543,649 S *	5/2007	Bhavnani	D26/37
D543,650 S *	5/2007	Rothman	D26/37
D544,119 S *	6/2007	Ding et al.	D26/37
D546,989 S *	7/2007	Chun	D26/37
D555,588 S *	11/2007	Yuen	D13/108
D555,818 S *	11/2007	Crawford	D26/37

D587,830 S * 3/2009 Ma D26/37

* cited by examiner

Primary Examiner—Ian Simmons

Assistant Examiner—Carissa C Fitts

(74) *Attorney, Agent, or Firm*—Hedman & Costigan, PC;
Kathleen A. Costigan

(57) **CLAIM**

The ornamental design for a flashlight, as shown and described.

DESCRIPTION

FIG. 1 is a front and right side perspective view of a flashlight showing my new design;

FIG. 2 is a front elevational view thereof;

FIG. 3 is a rear elevational view thereof;

FIG. 4 is a right side elevational view thereof;

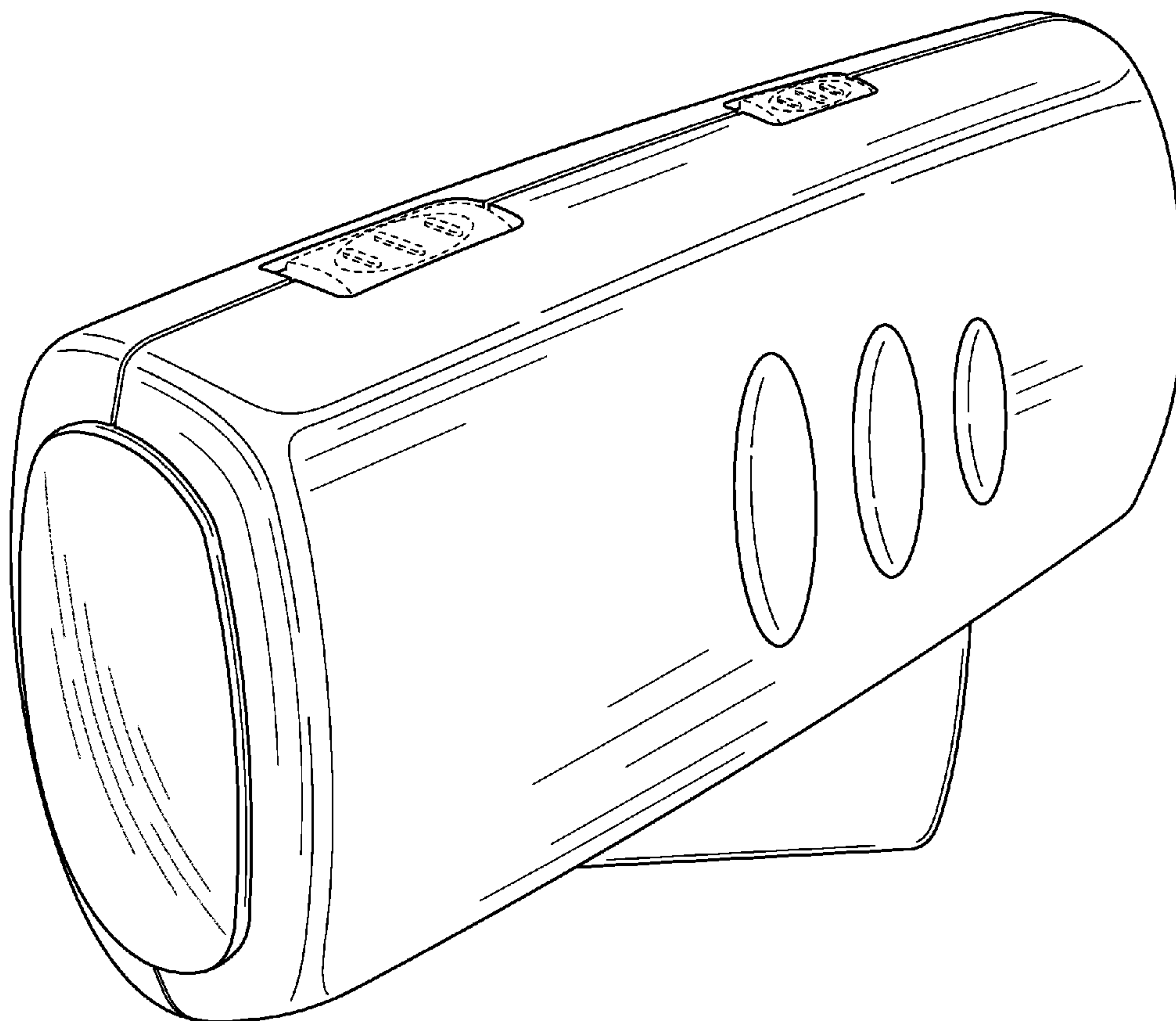
FIG. 5 is a left side elevational view thereof;

FIG. 6 is a top plan view thereof; and,

FIG. 7 is a bottom plan view thereof.

The broken-line disclosure of elements in the views are understood to be functional aspects of the article in which the design is embodied and form no part of the claimed design.

1 Claim, 4 Drawing Sheets



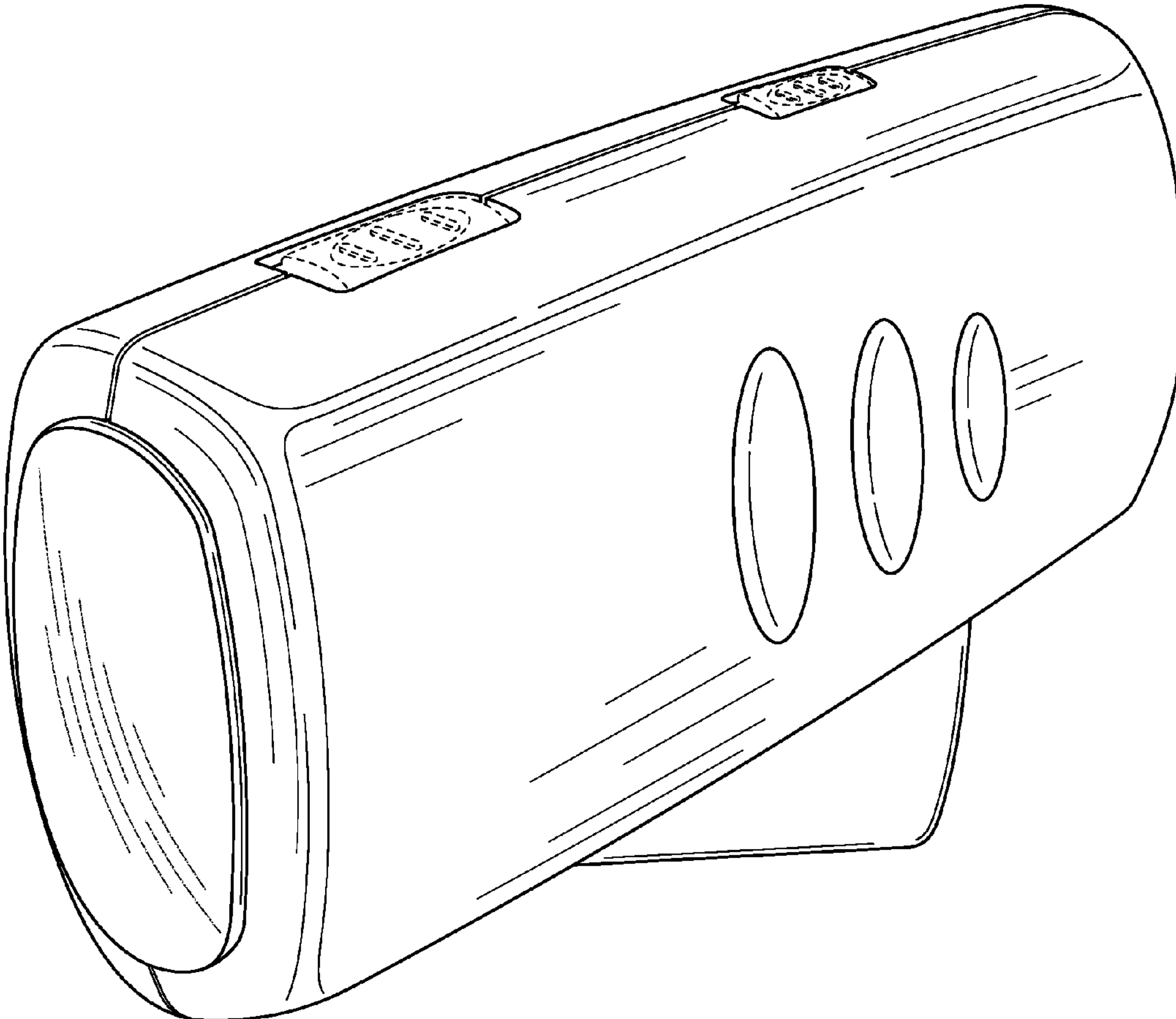


FIG. 1

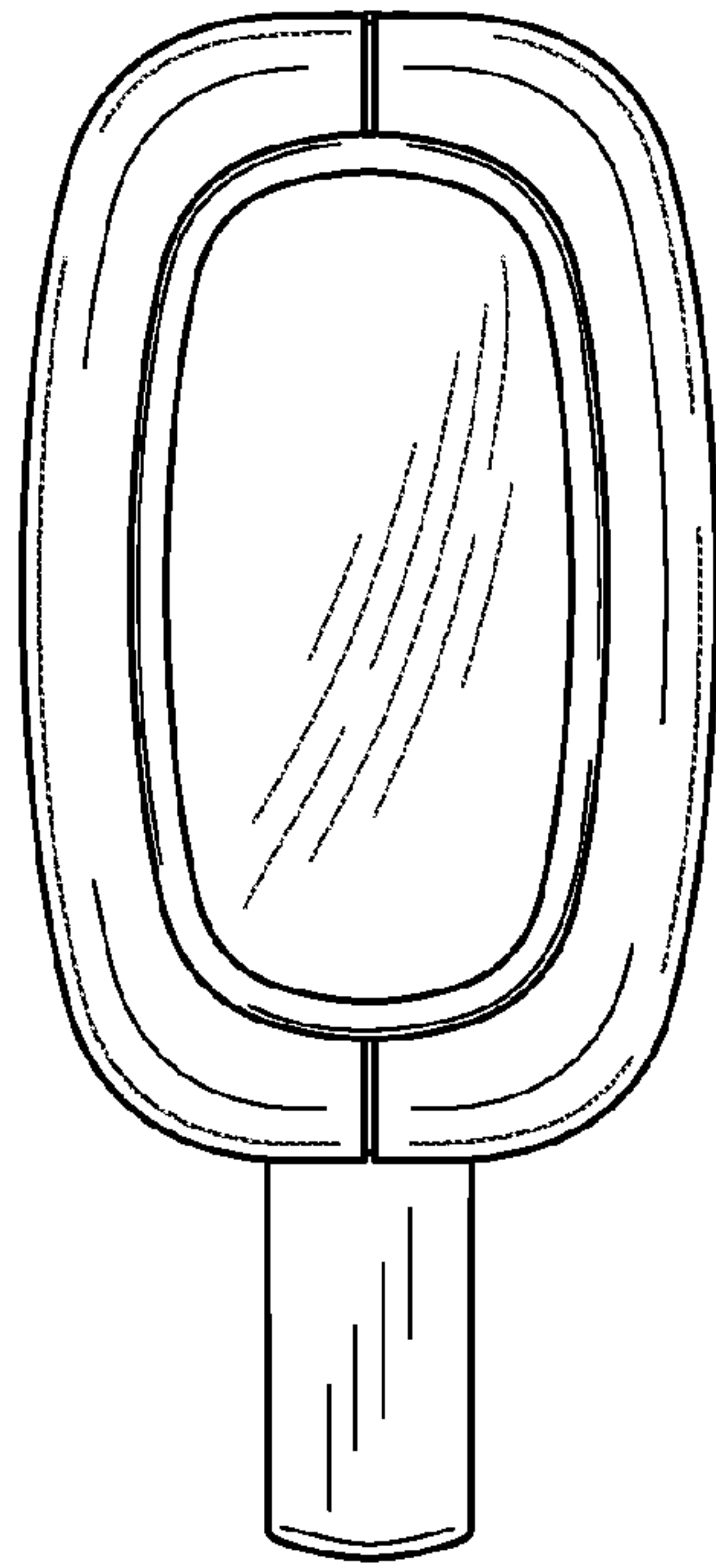


FIG. 2

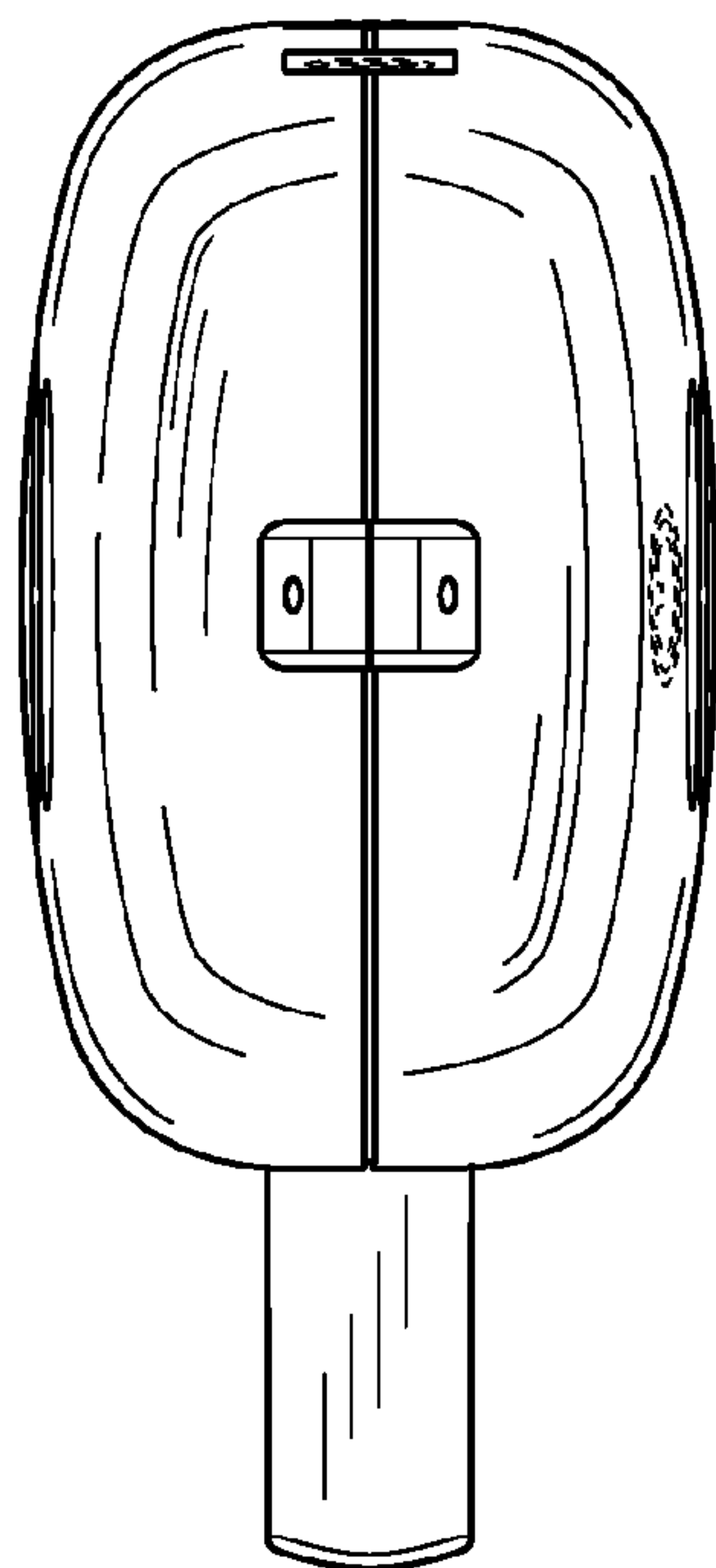


FIG. 3

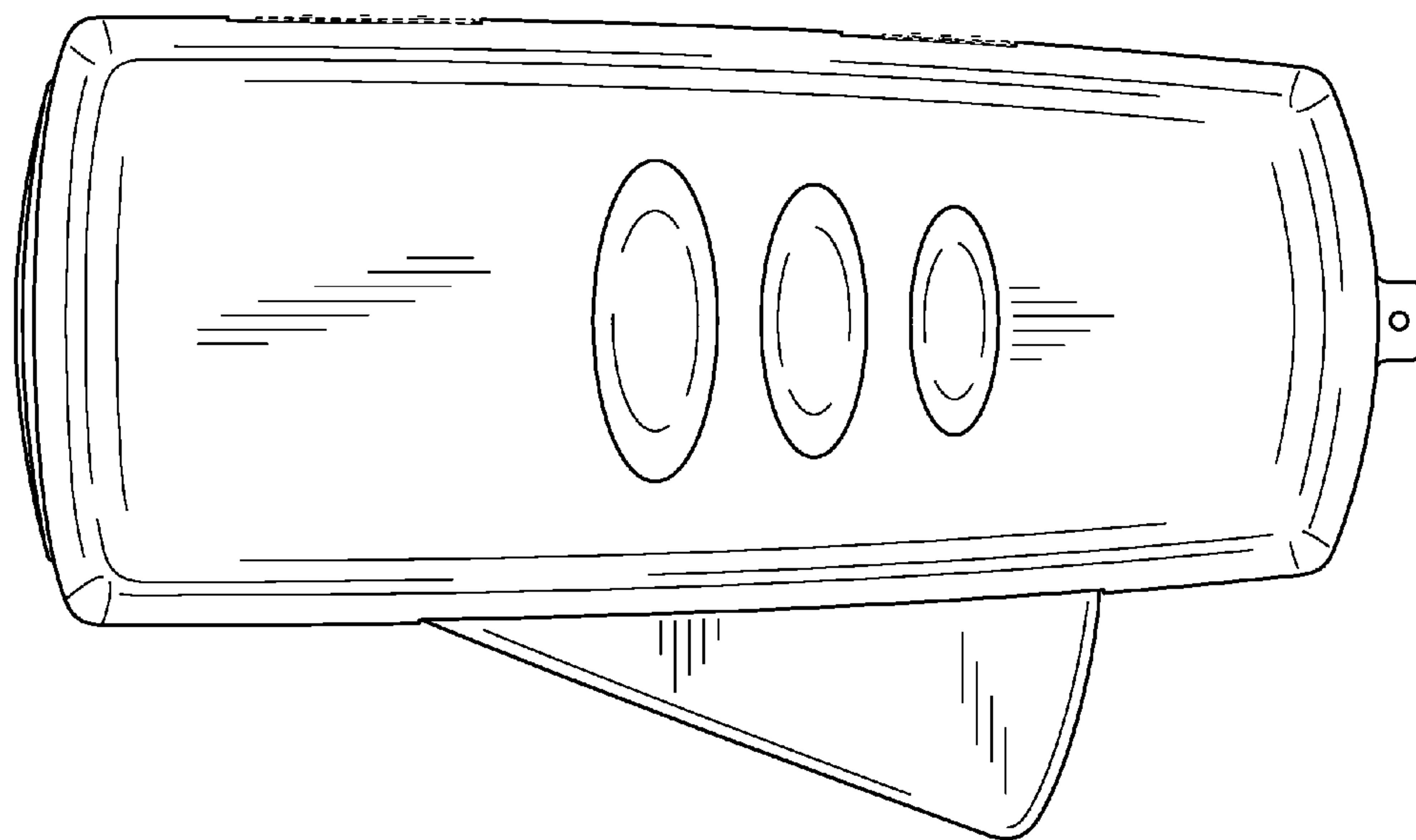


FIG. 4

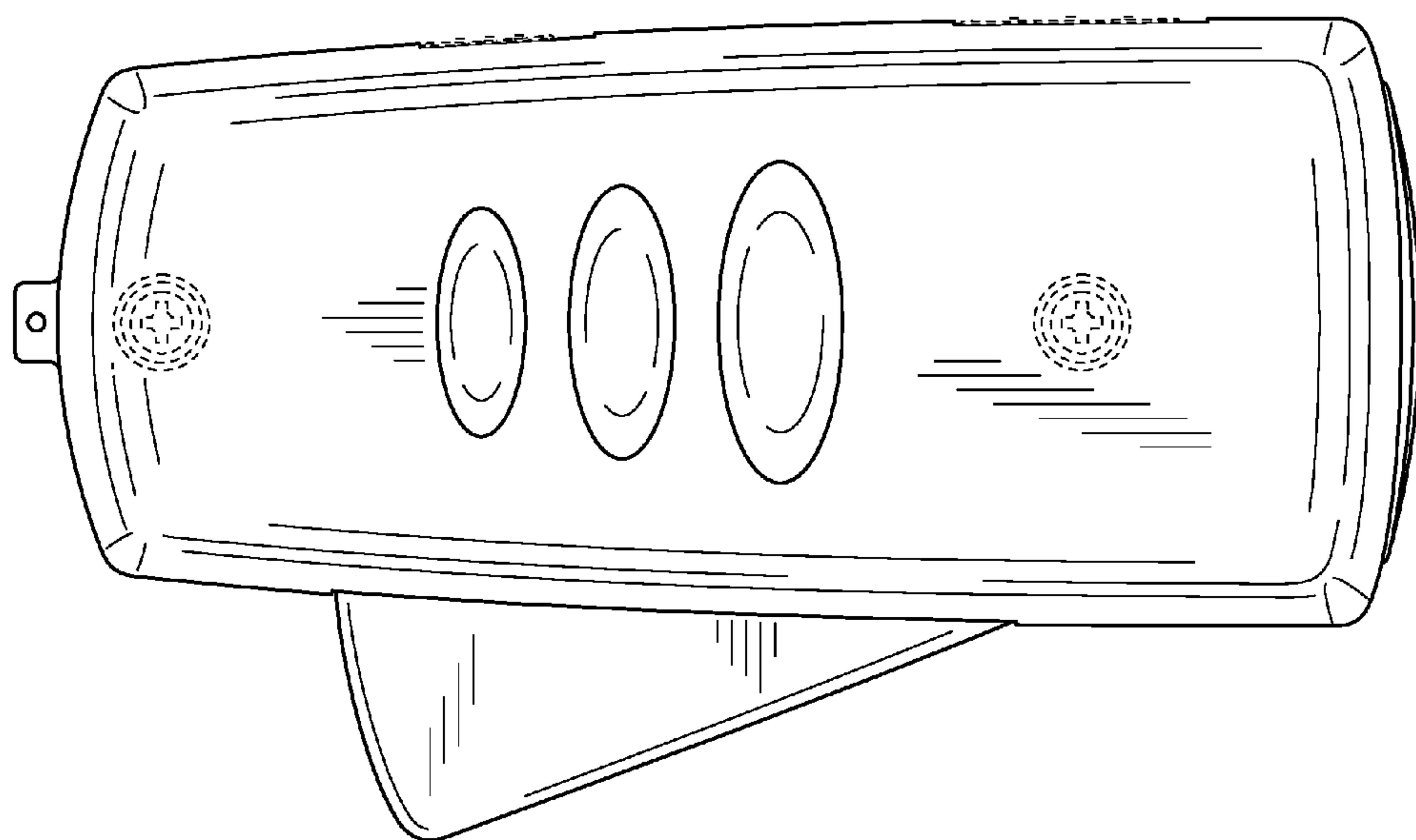


FIG. 5

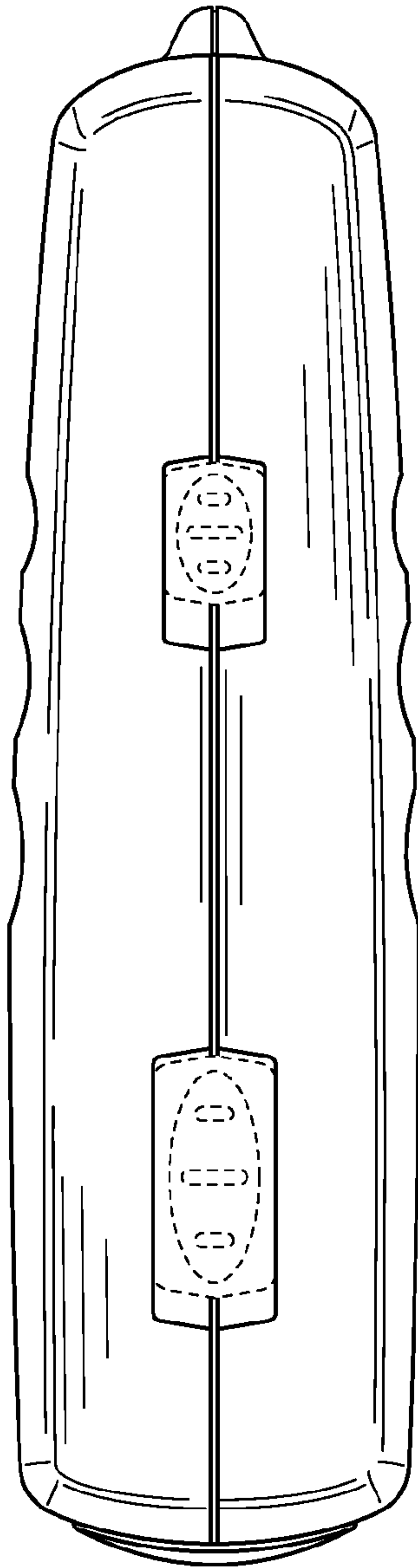


FIG. 6

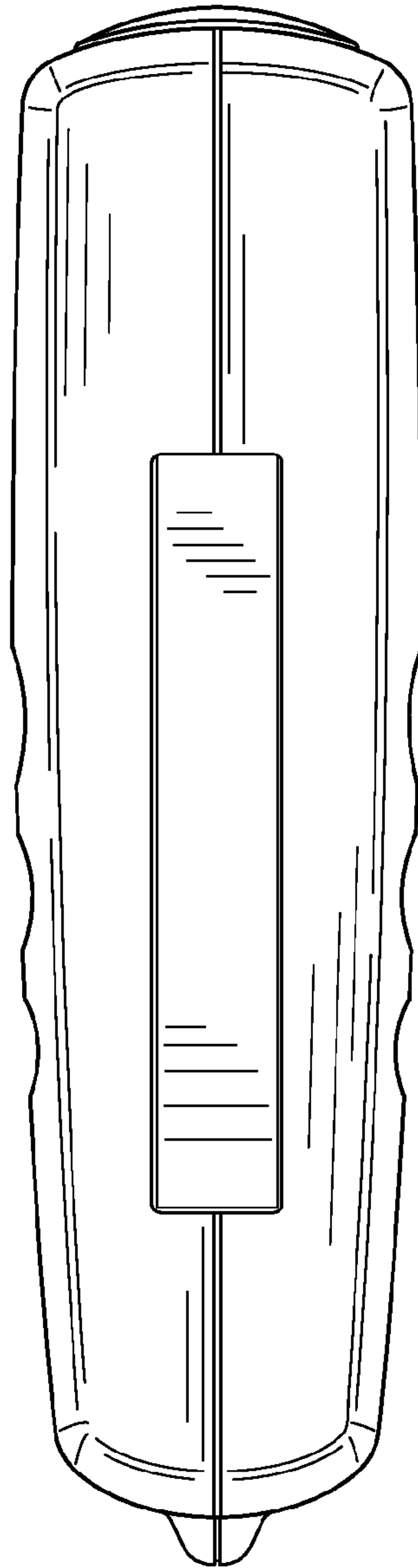


FIG. 7