



US00D600377S

(12) **United States Design Patent**
Sato

(10) **Patent No.:** **US D600,377 S**

(45) **Date of Patent:** **** Sep. 15, 2009**

(54) **REAR COMBINATION LAMP FOR AN
AUTOMOBILE**

(75) Inventor: **Teruo Sato**, Tokyo (JP)

(73) Assignee: **Toyota Jidosha Kabushiki Kaisha**,
Toyota-shi (JP)

(**) Term: **14 Years**

(21) Appl. No.: **29/331,582**

(22) Filed: **Jan. 28, 2009**

(51) **LOC (9) Cl.** **26-04**

(52) **U.S. Cl.** **D26/28**

(58) **Field of Classification Search** D26/28-36;
362/459-468, 475-478, 485-487
See application file for complete search history.

(56) **References Cited**

U.S. PATENT DOCUMENTS

D552,769 S *	10/2007	Leclercq	D26/28
D560,292 S *	1/2008	Sato	D26/28
D561,357 S *	2/2008	Leclercq	D26/28
D570,015 S *	5/2008	Hsu	D26/28
D574,524 S *	8/2008	Tomatsu	D26/28

OTHER PUBLICATIONS

Brochure of Toyota Tundra, "Toyota Tundra coming Feb. 2007 US Brochure", issued by Toyota Motor Sales, U.S.A. Inc., at least as early as Feb. 1, 2007.

Photographs of Toyota RAV4, "Motor Fan additional vol. 366 New RAV4-NO-SUBETE", issued by San-eishobo Publishing Co., Ltd., Jan. 1, 2006.

* cited by examiner

Primary Examiner—Marcus A. Jackson

(74) *Attorney, Agent, or Firm*—Finnegan, Henderson, Farabow, Garrett & Dunner, LLP

(57) **CLAIM**

The ornamental design for the rear combination lamp for an automobile, as shown and described.

DESCRIPTION

FIG. 1 is a perspective view of a rear combination lamp for an automobile of our new design;

FIG. 2 is a front view thereof;

FIG. 3 is a rear view thereof;

FIG. 4 is a top plan view thereof;

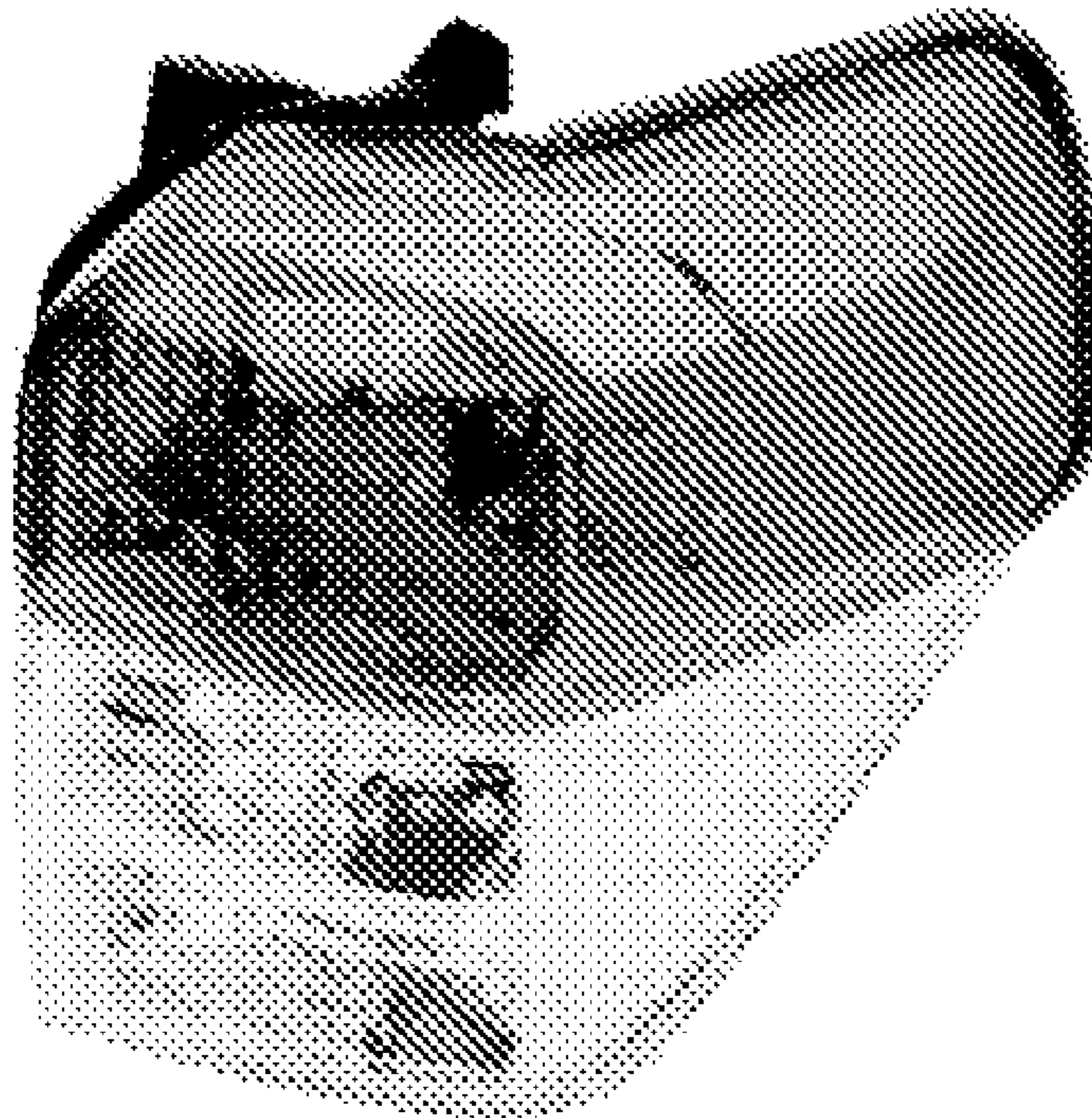
FIG. 5 is a bottom plan view thereof;

FIG. 6 is a right-side view thereof; and,

FIG. 7 is a left-side view thereof.

My design includes the mirror image of the embodiment depicted. In a second embodiment, the rear view of FIG. 3 forms no part of the claimed invention.

1 Claim, 3 Drawing Sheets



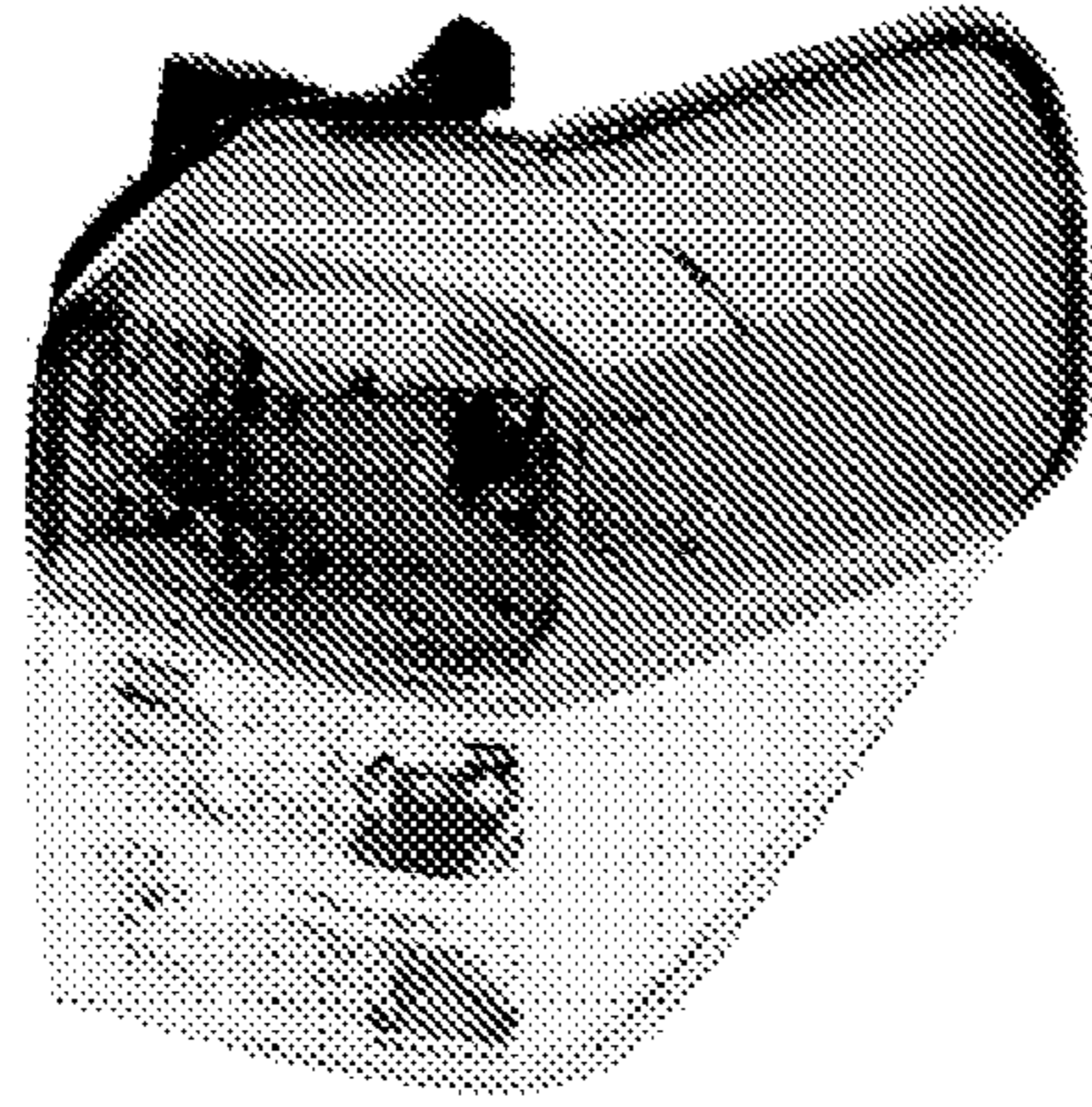


FIG. 1

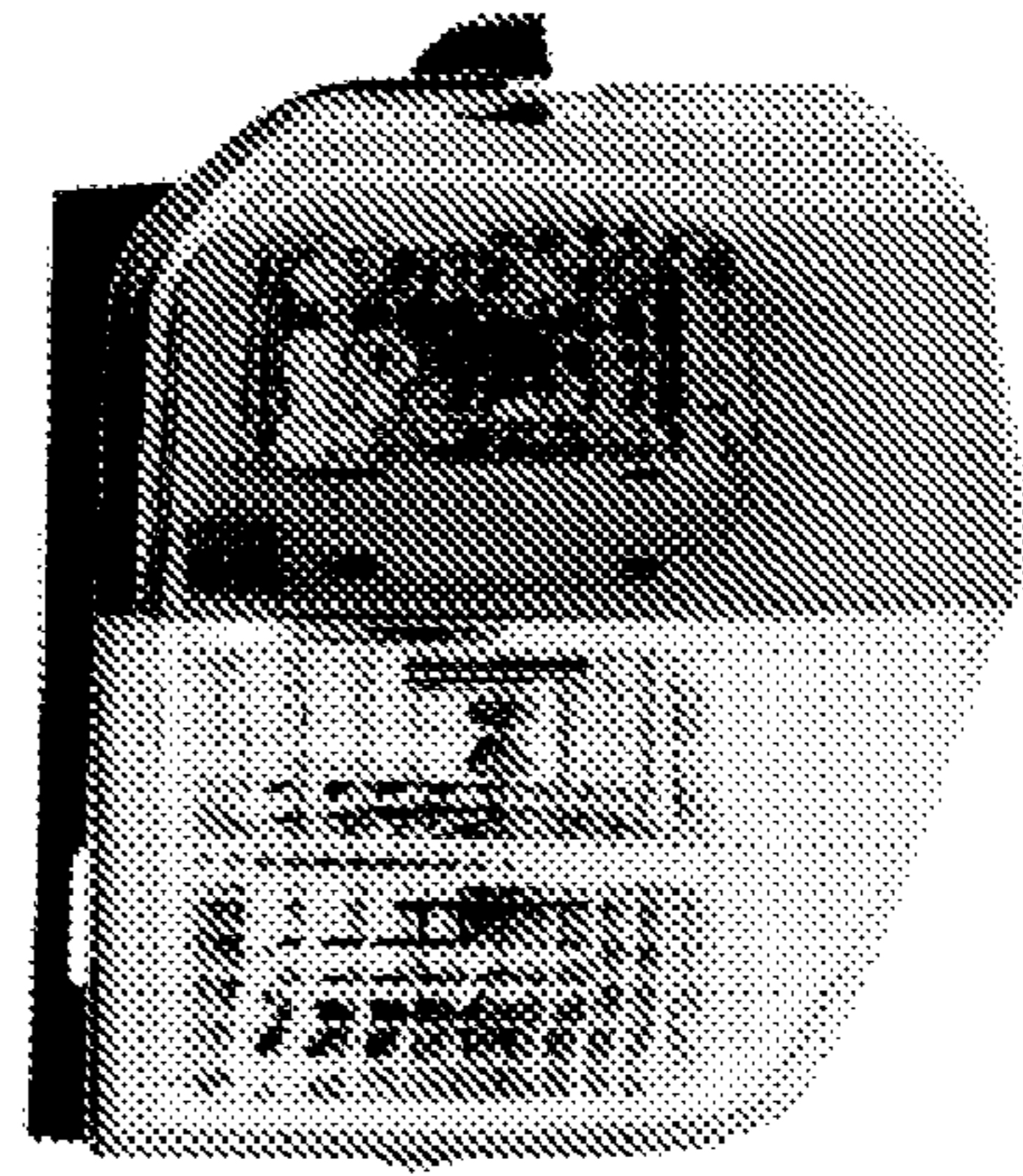


FIG. 2

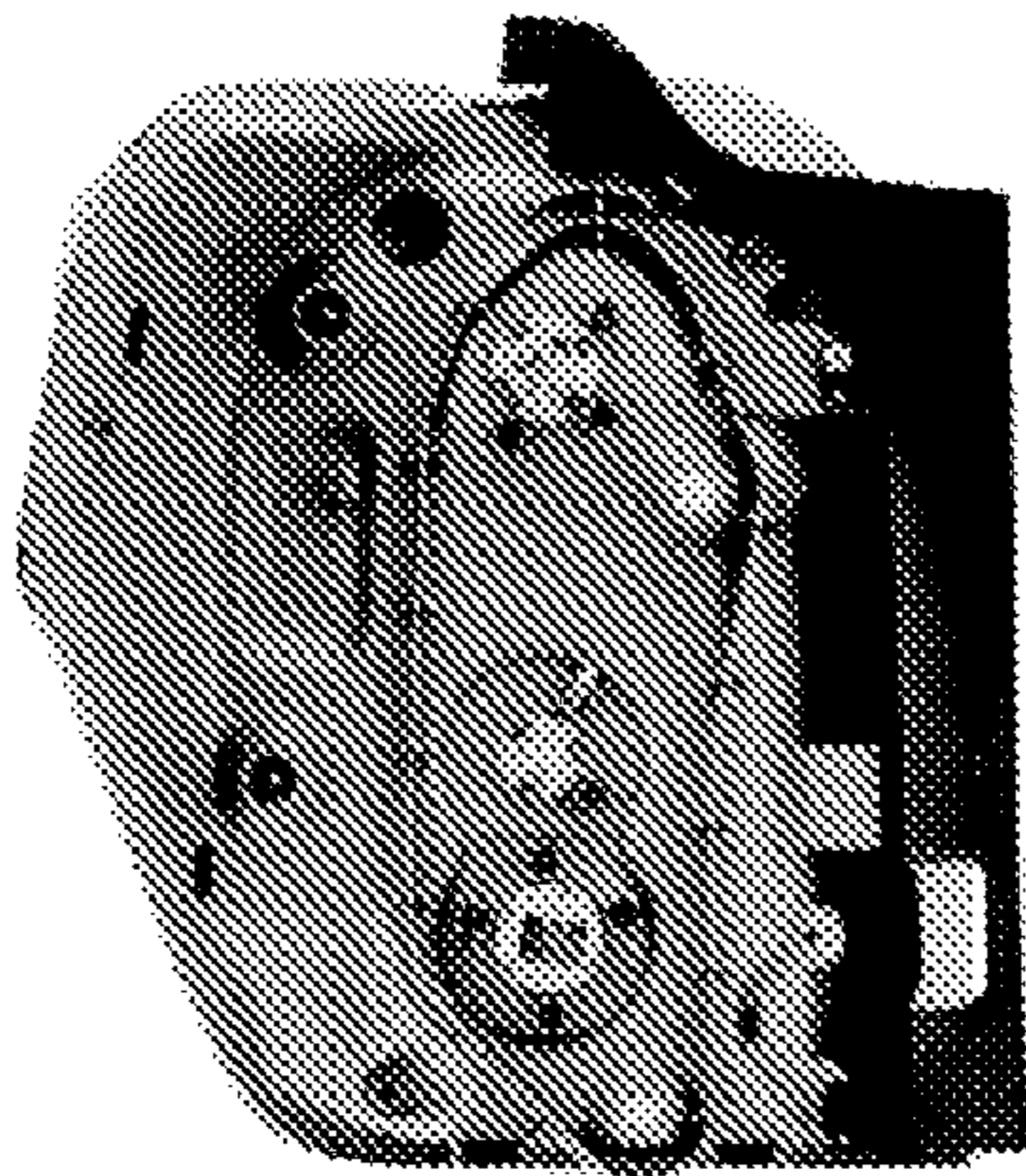


FIG. 3

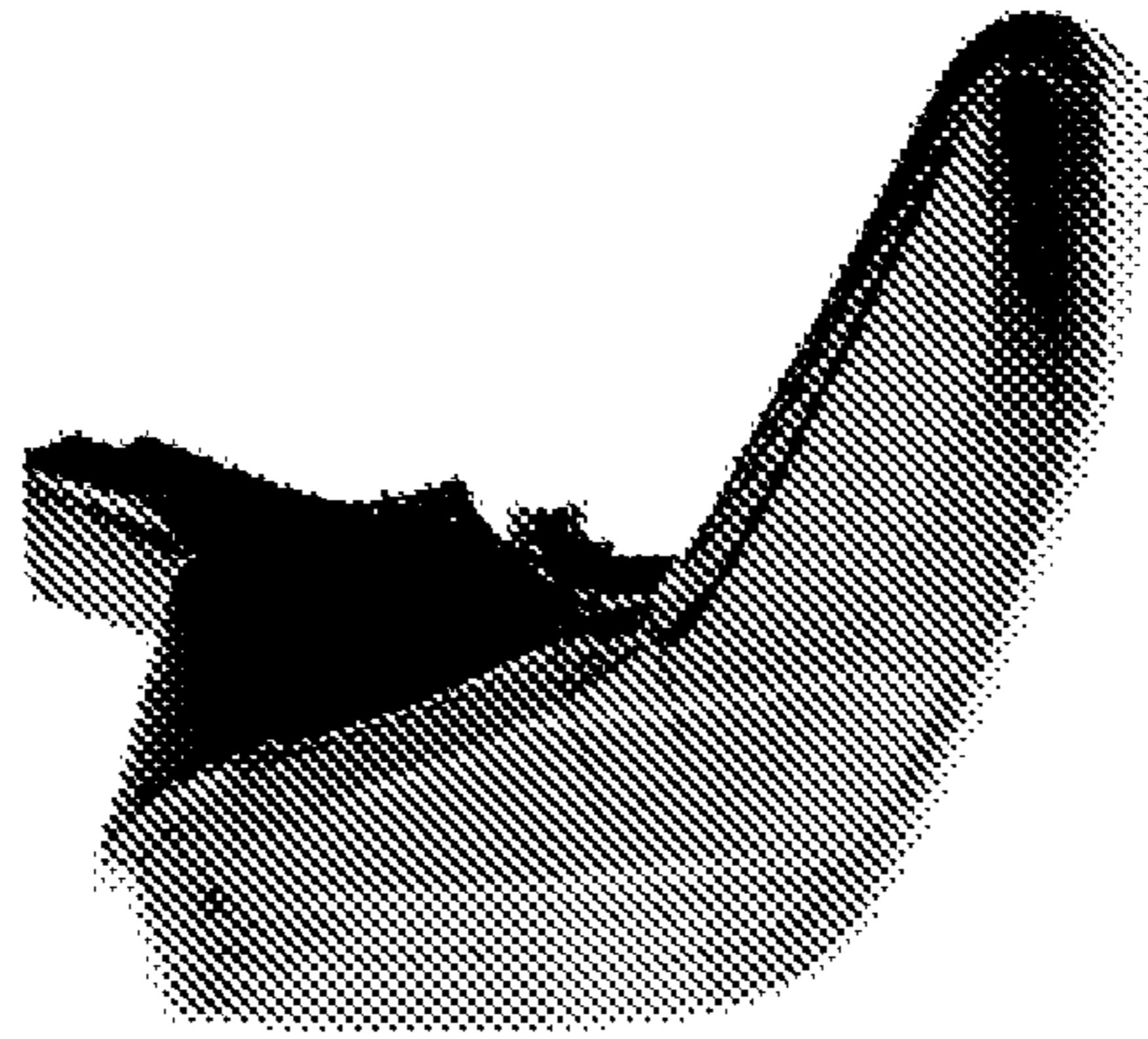


FIG. 4

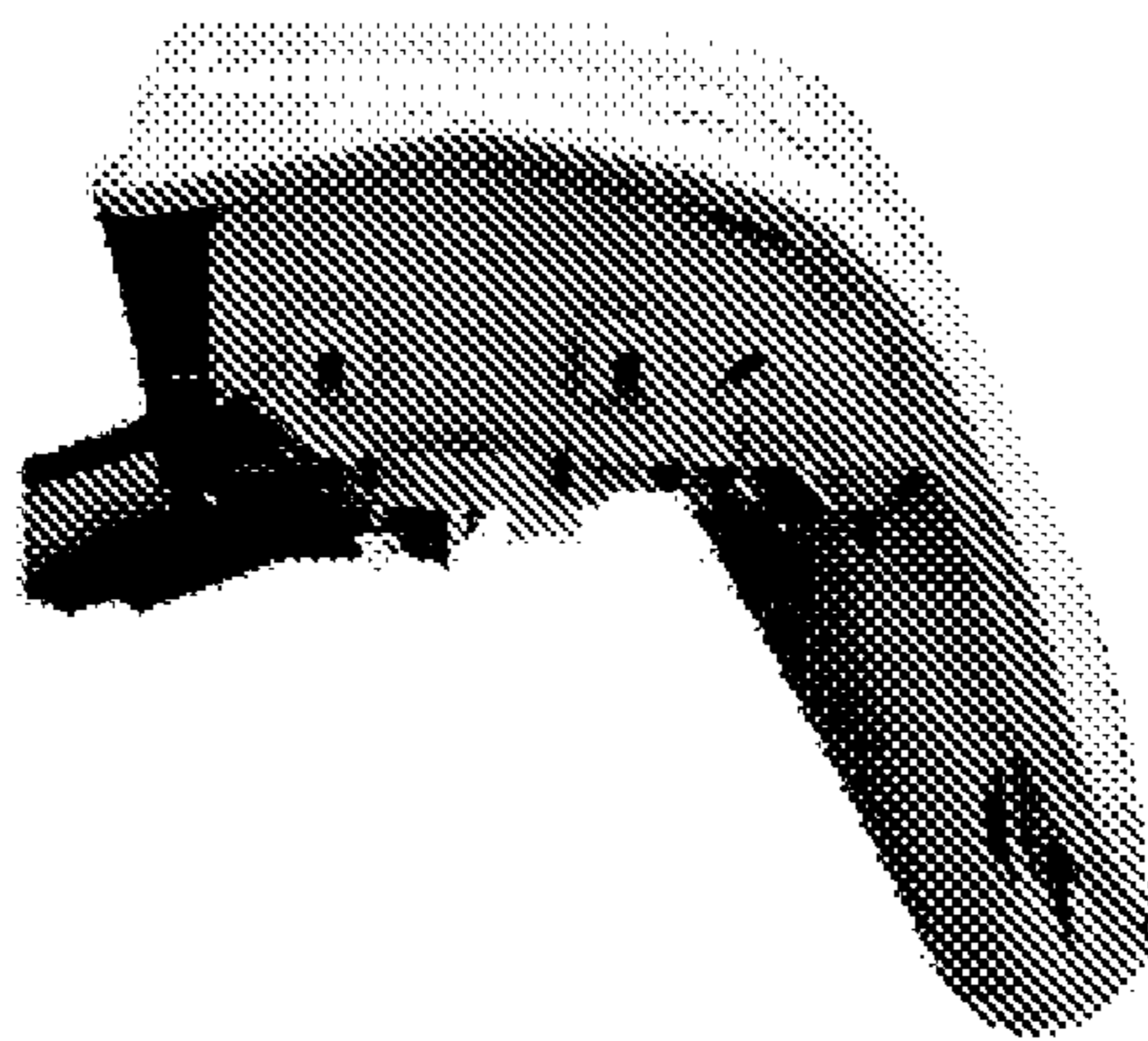


FIG. 5

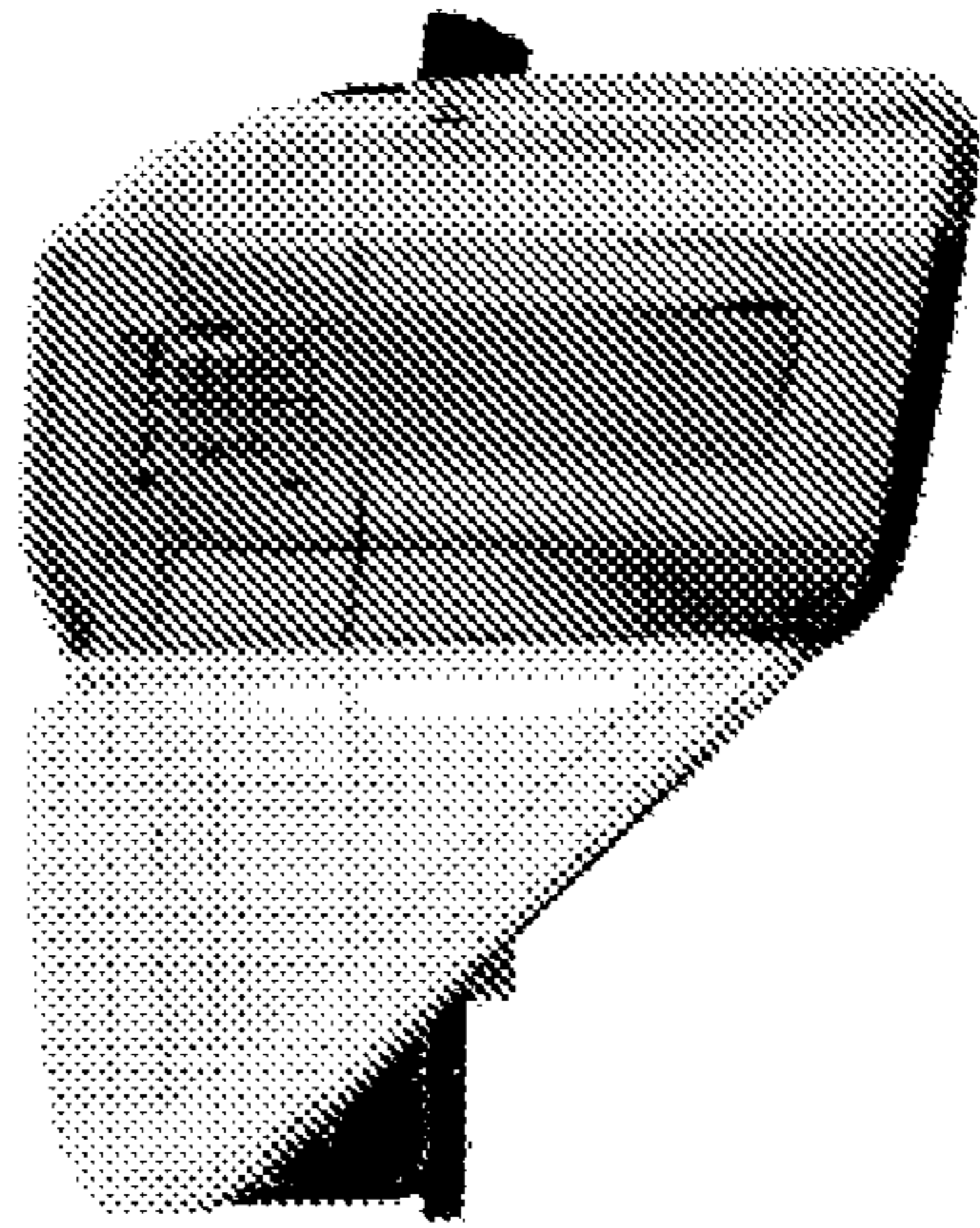


FIG. 6

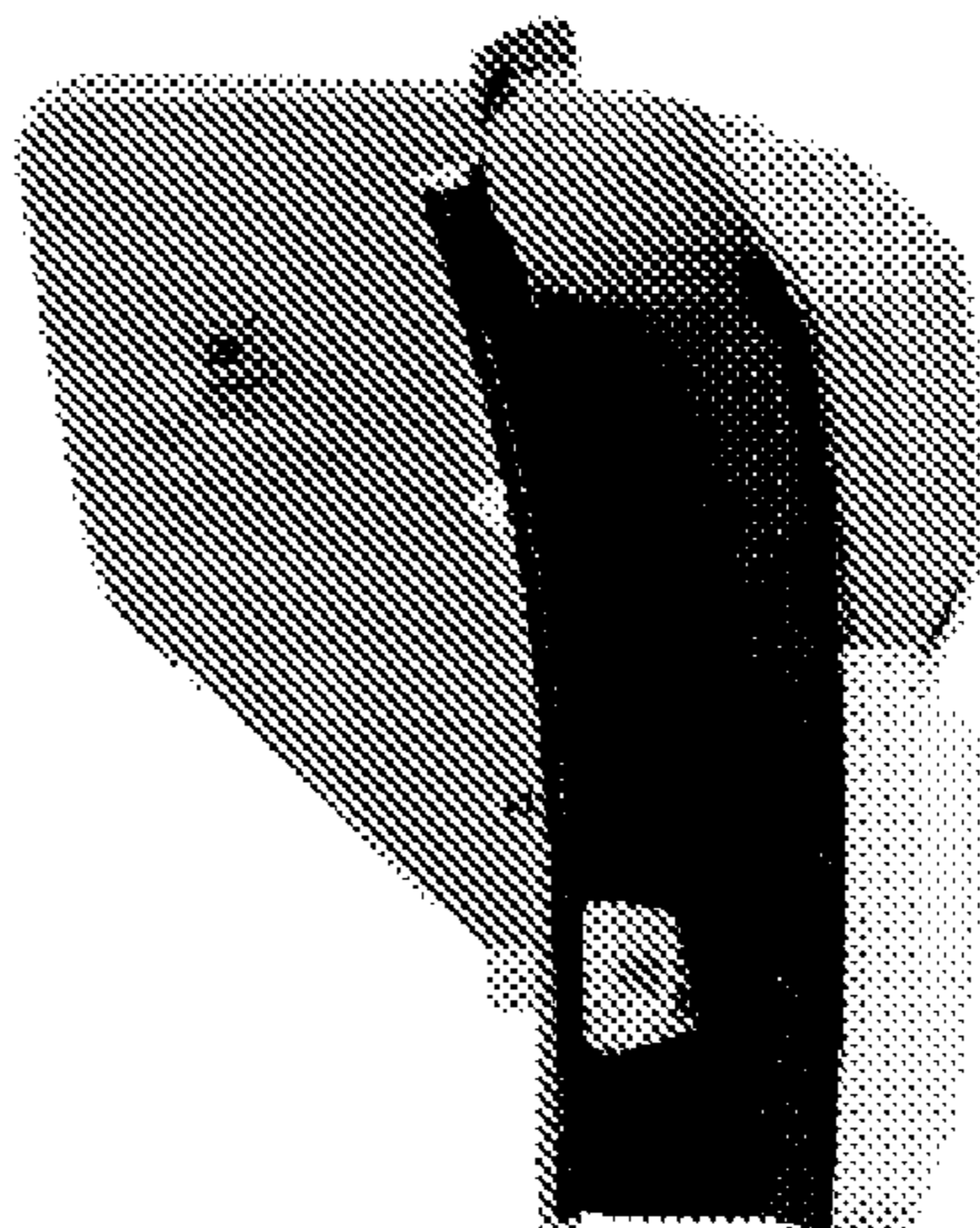


FIG. 7