



US00D600375S

(12) **United States Design Patent**
Bryant

(10) **Patent No.:** **US D600,375 S**
(45) **Date of Patent:** **** Sep. 15, 2009**

(54) **SIDE LIGHT FOR A MOTORCYCLE**

(76) Inventor: **Juaquin C. Bryant**, 28839 Hidden Trail,
Farmington Hills, MI (US) 48331

(**) Term: **14 Years**

(21) Appl. No.: **29/318,553**

(22) Filed: **May 22, 2008**

(51) **LOC (9) Cl.** **26-06**

(52) **U.S. Cl.** **D26/28; D12/114**

(58) **Field of Classification Search** D12/110,
D12/114, 117, 118, 223, 159; D26/28-36,
D26/139; 280/276-279, 274, 281.1, 288.4,
280/304.3; 362/425.5, 549, 426, 390, 473;
180/219, 220; D10/109-111

See application file for complete search history.

(56) **References Cited**

U.S. PATENT DOCUMENTS

D272,527 S	2/1984	Worzek et al.	
D283,886 S	5/1986	Trapp	
D327,244 S	6/1992	Mitchell	
D330,000 S	10/1992	DeMuro, Jr.	
D380,720 S	7/1997	Anderson	
D436,903 S	1/2001	Durdin et al.	
D498,718 S	11/2004	James	
D499,056 S	11/2004	James	
D520,419 S	5/2006	Blevins-Catalano	
7,131,755 B1 *	11/2006	Feng	362/473
2008/0180962 A1 *	7/2008	Edmond et al.	362/473
2008/0185811 A1 *	8/2008	Madden	280/276

OTHER PUBLICATIONS

Harley-Davidson® 2005 Genuine Motor Accessories and Genuine Motor Parts catalog, lighted fork slider covers and side lighting on fork leg on p. 509.*

* cited by examiner

Primary Examiner—Robin V Webster

Assistant Examiner—Linda Brooks

(74) *Attorney, Agent, or Firm*—Robert K. Roth; Miller, Canfield, Paddock and Stone, P.L.C.

(57) **CLAIM**

The ornamental design for a side light for a motorcycle, as shown and described.

DESCRIPTION

FIG. 1 is an isometric view of a side light for a motorcycle in accordance with my new design.

FIG. 2 is a side view of the side light for a motorcycle of FIG. 1 with part of a motorcycle shown in broken lines and forming no part of the claimed design.

FIG. 3 is a front side view of the side light for a motorcycle of FIG. 1.

FIG. 4 is a back side view of the side light for a motorcycle of FIG. 1.

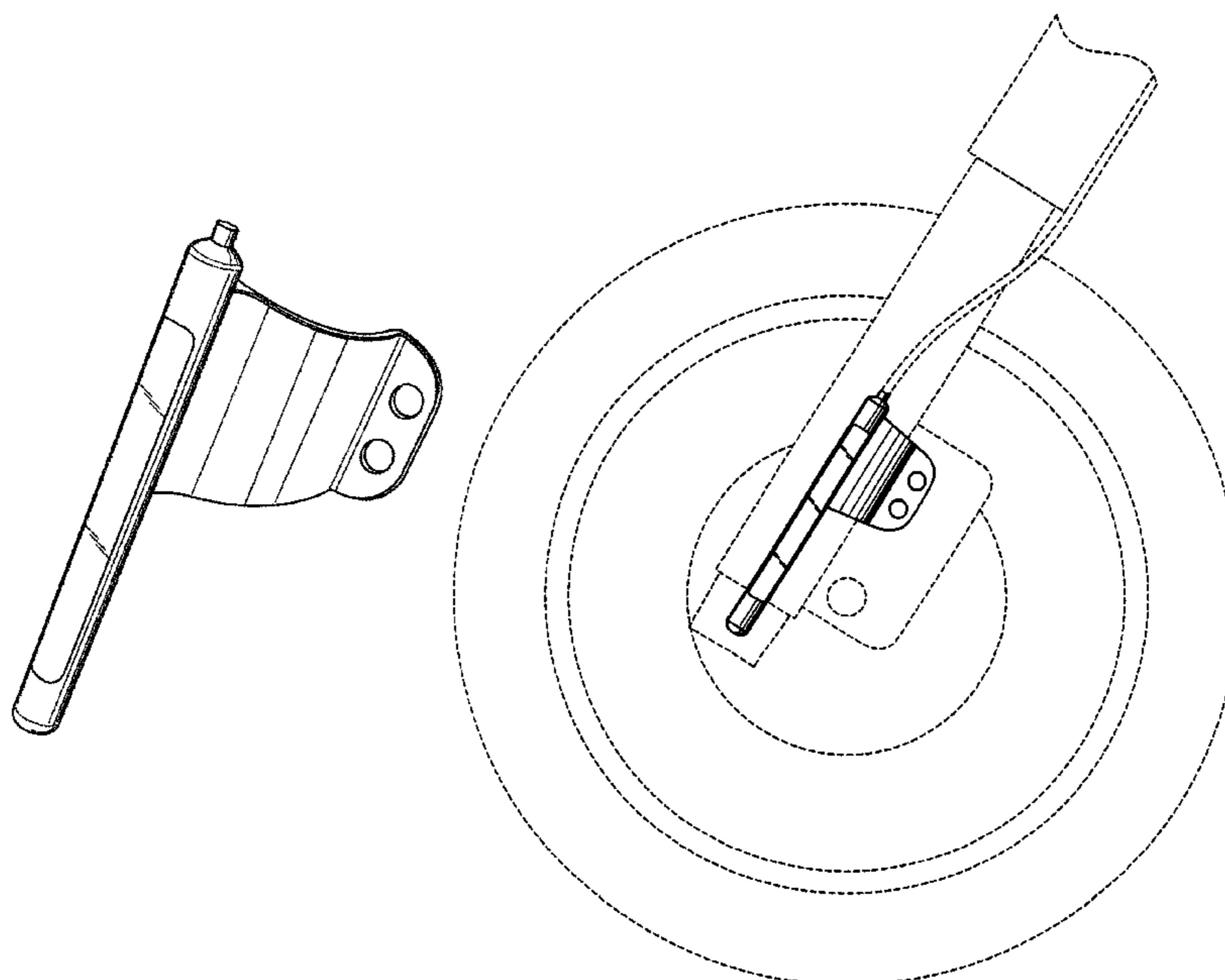
FIG. 5 is a right side view of the side light for a motorcycle of FIG. 1.

FIG. 6 is a left side view of the side light for a motorcycle of FIG. 1.

FIG. 7 is a top side view of the side light for a motorcycle of FIG. 1; and,

FIG. 8 is a bottom side view of the side light for a motorcycle of FIG. 1.

1 Claim, 3 Drawing Sheets



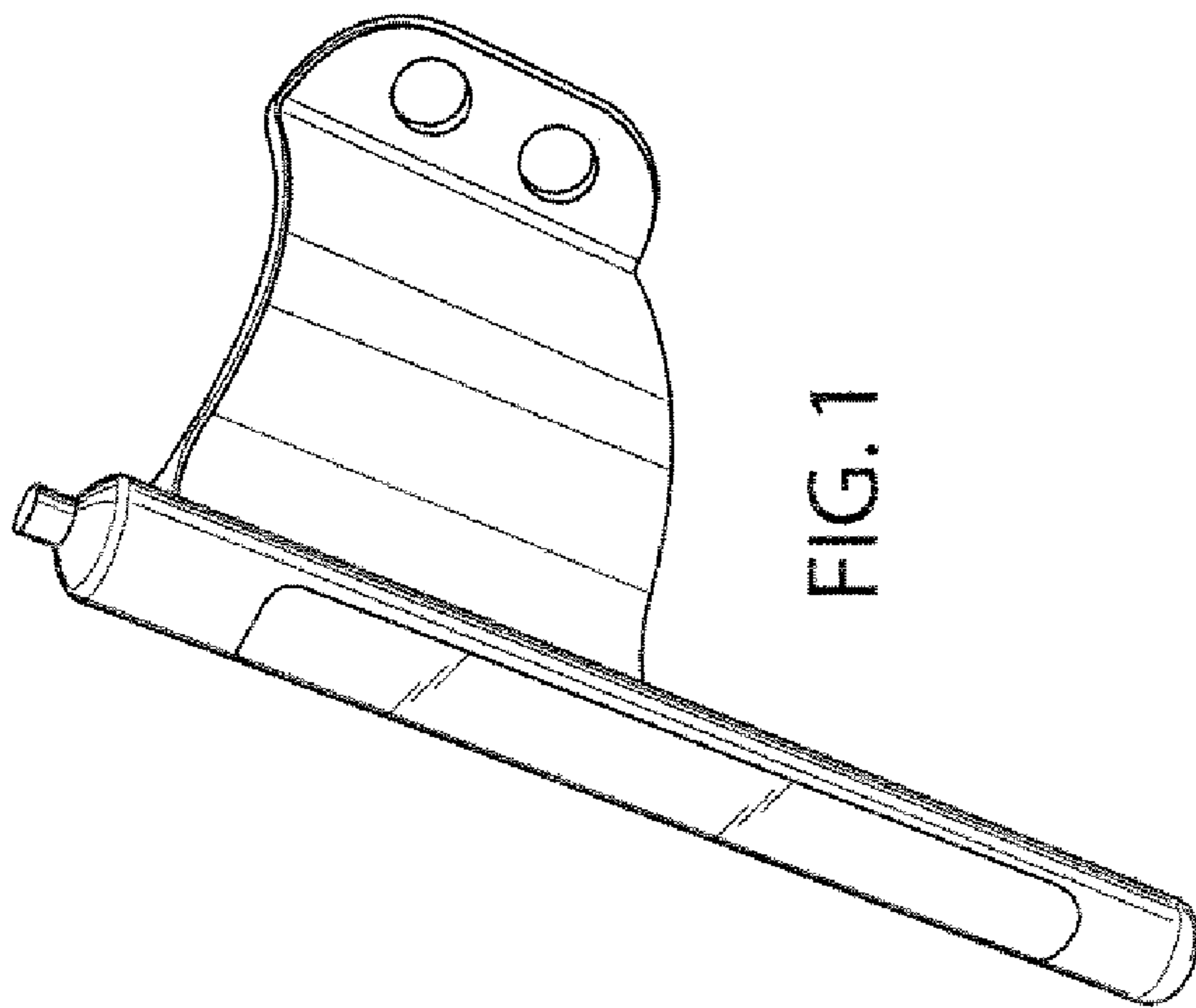


FIG. 1

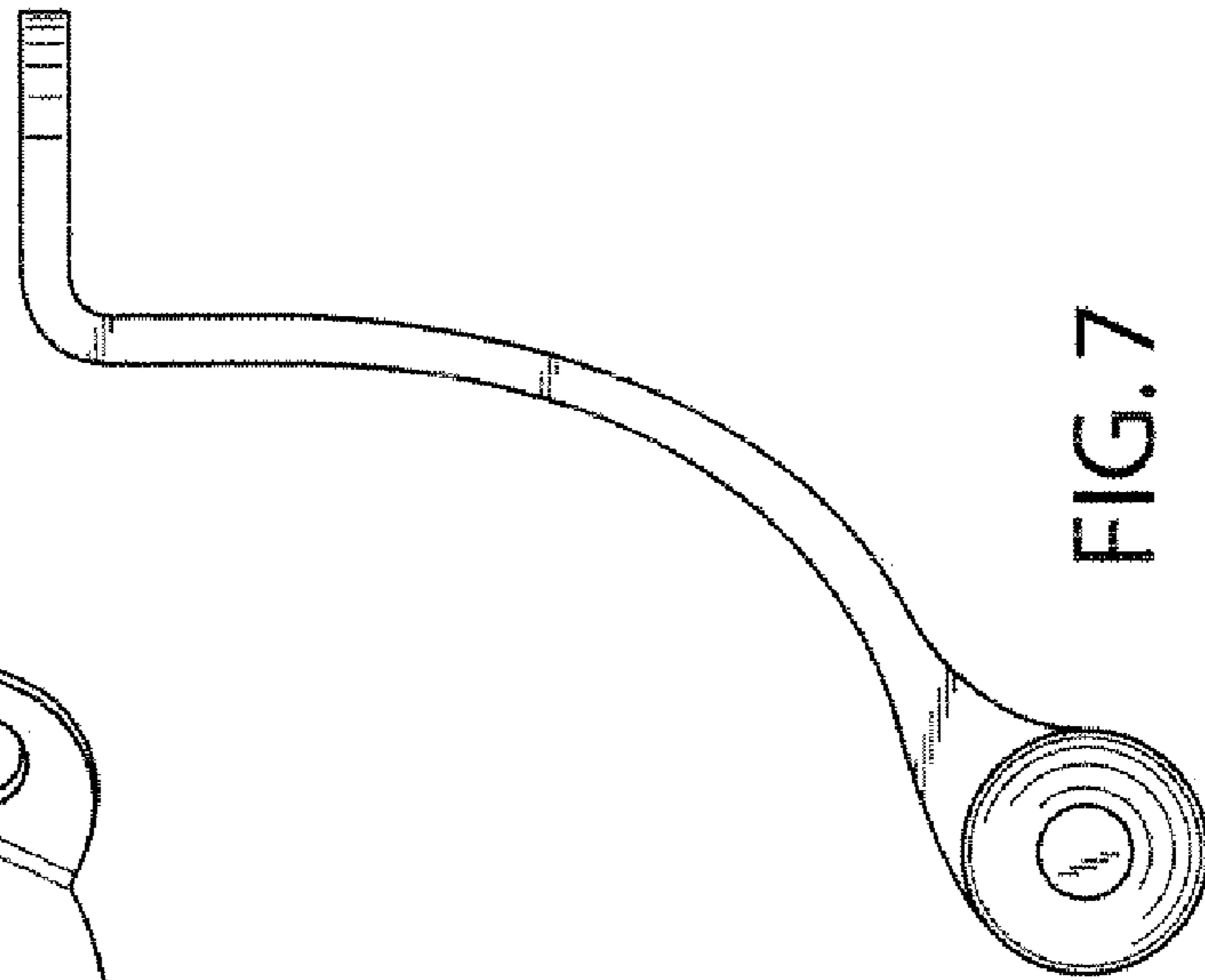


FIG. 7

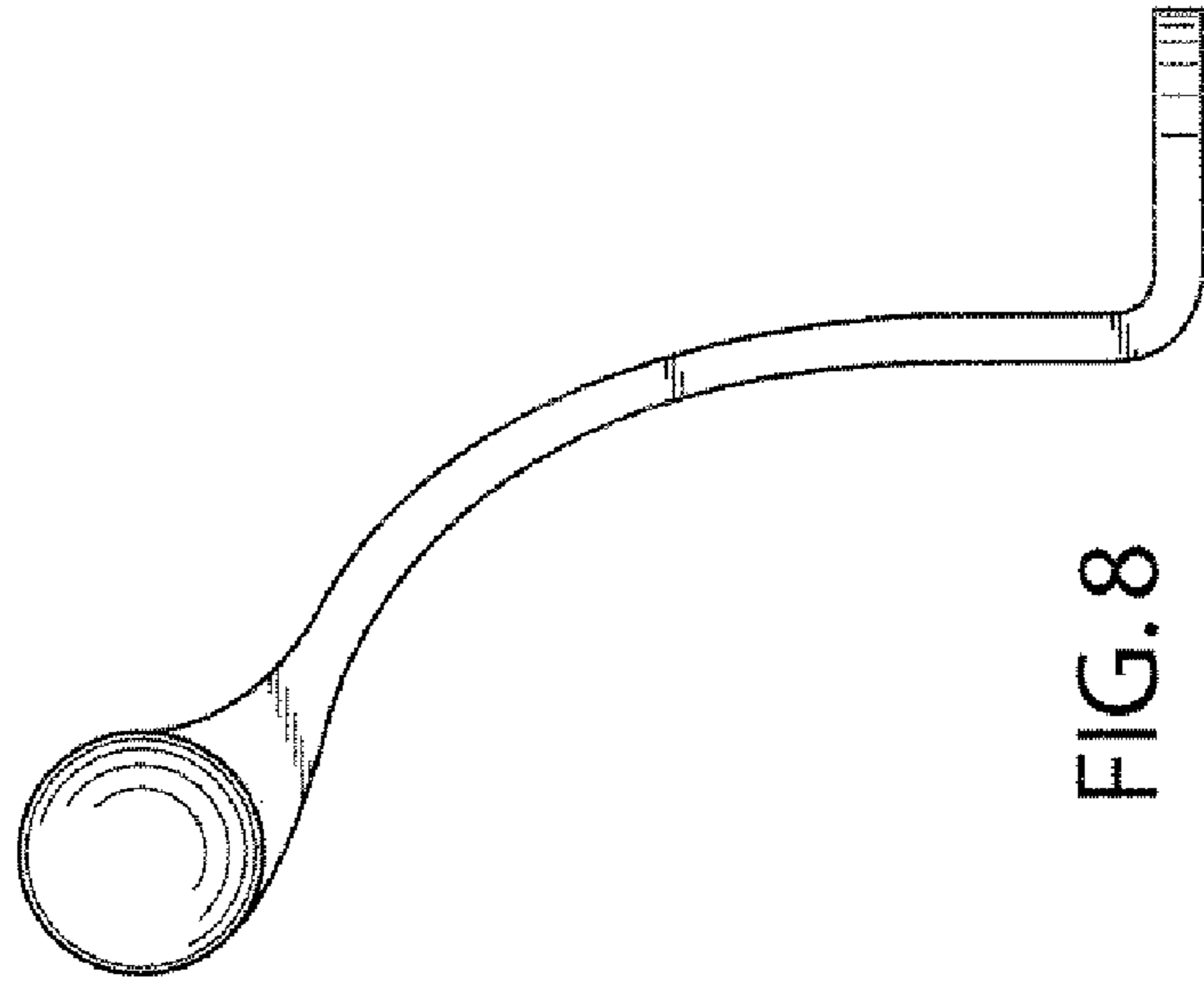


FIG. 8

FIG. 2

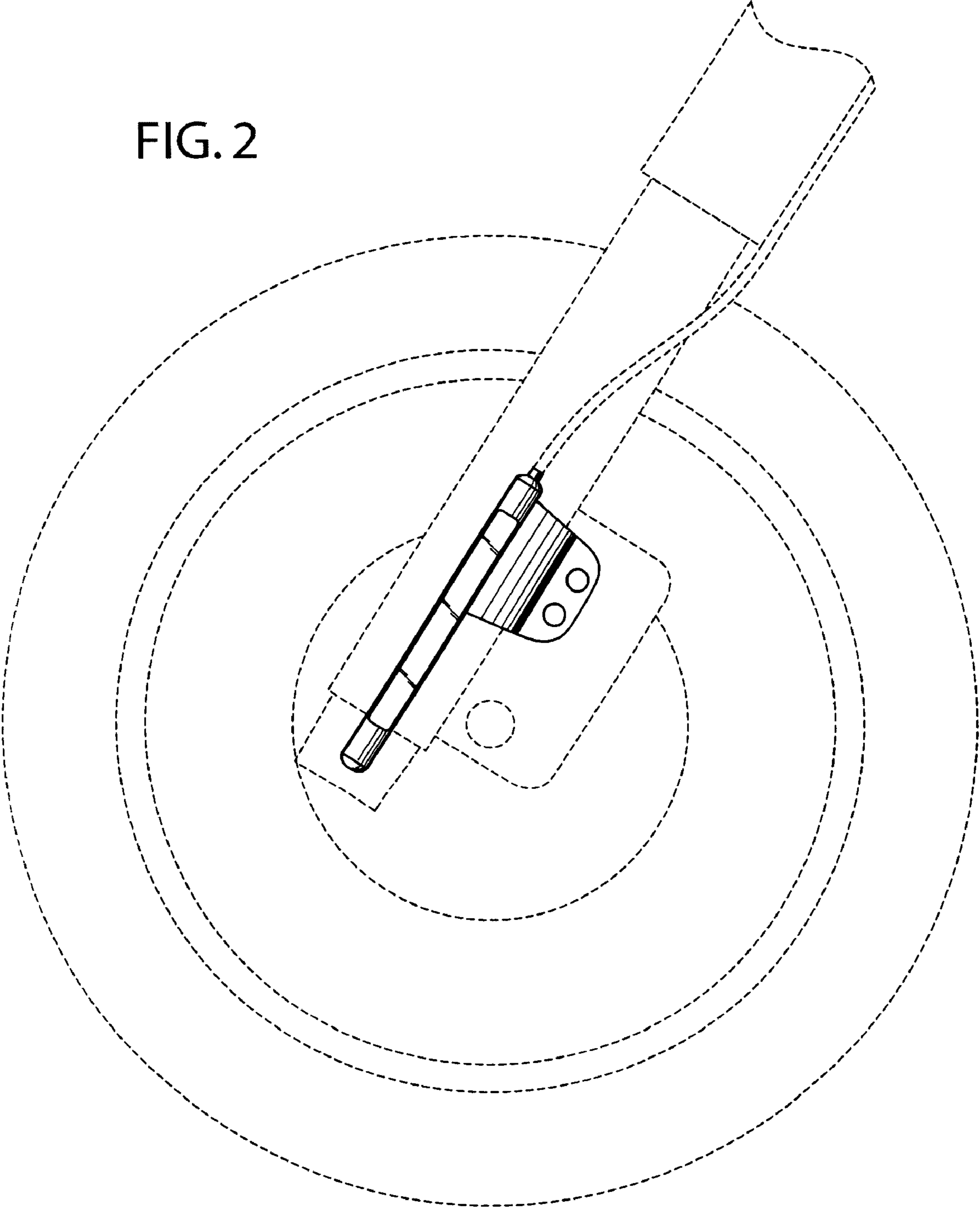


FIG. 6

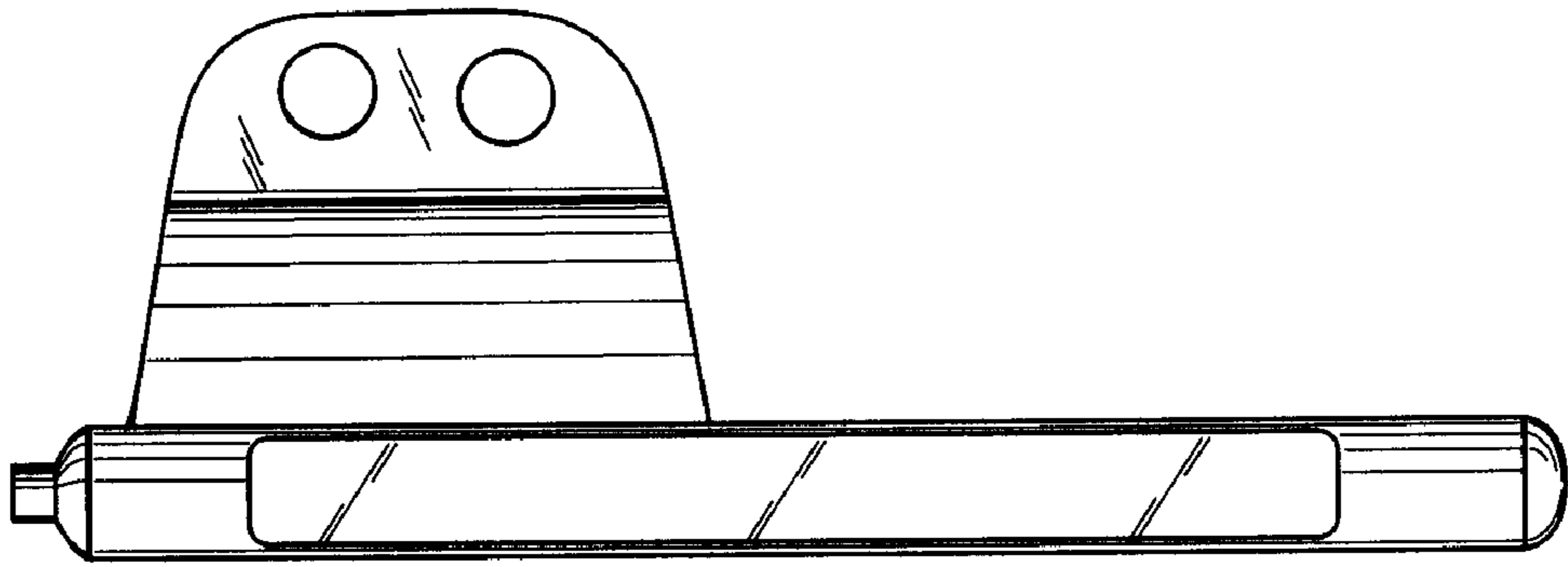


FIG. 5

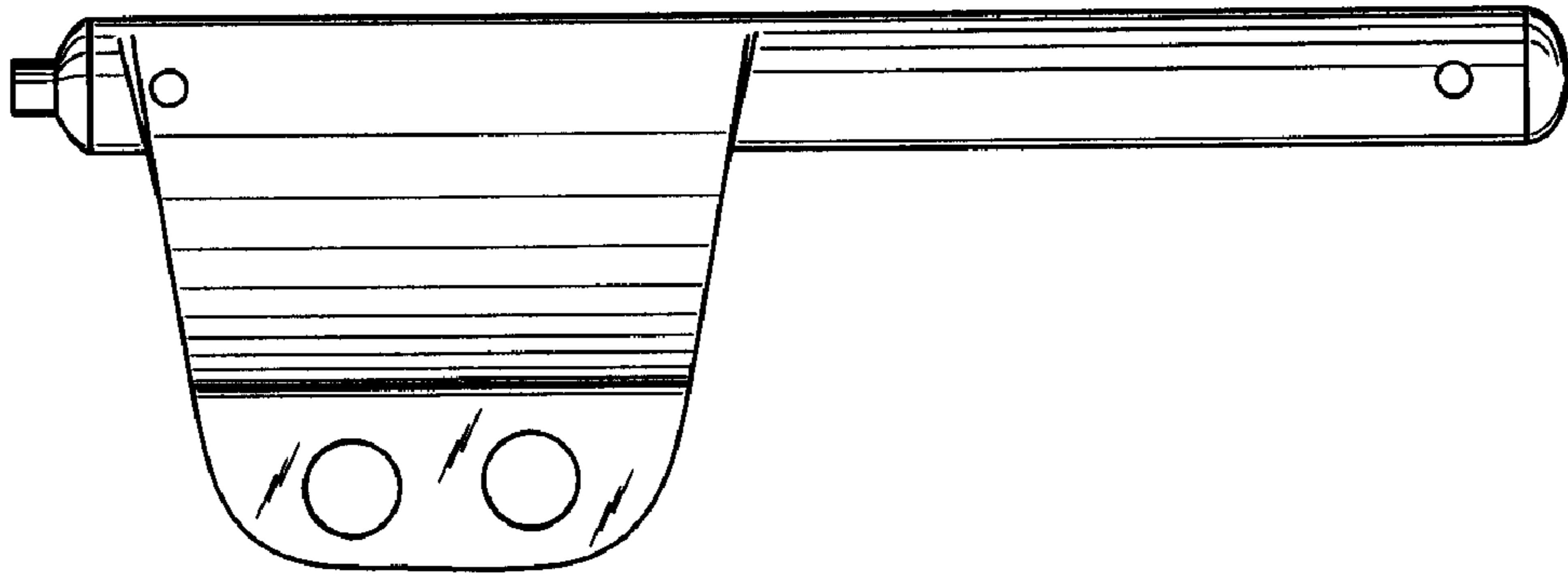


FIG. 4

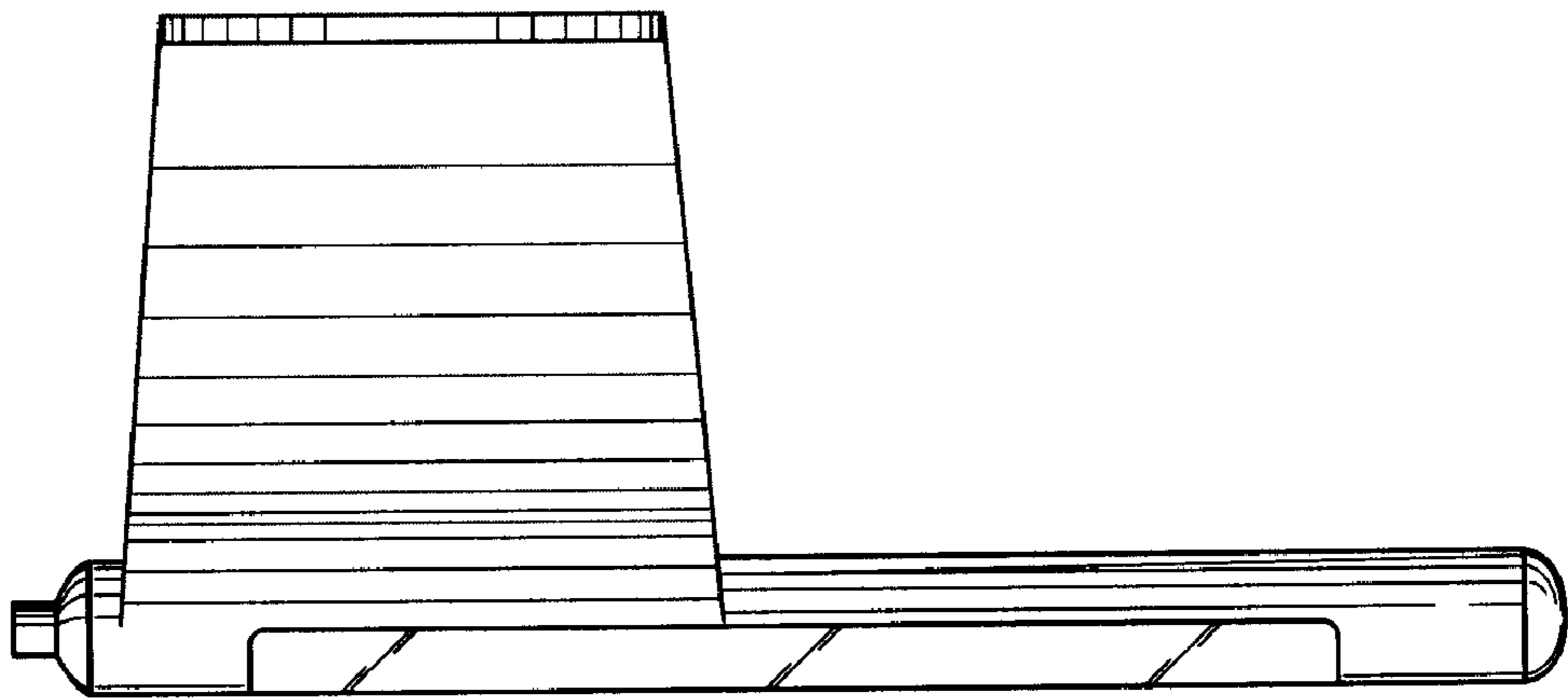


FIG. 3

