



US00D600372S

(12) **United States Design Patent**
Chan et al.

(10) **Patent No.:** **US D600,372 S**

(45) **Date of Patent:** **** Sep. 15, 2009**

(54) **LED MODULE**

(75) Inventors: **Shih Hsiung Chan**, Hsinchu County (TW); **Jian Shih Tsang**, Taipei County (TW); **Chih Chiang Huang**, Hsinchu (TW)

(73) Assignee: **Advanced Optoelectronic Technology Inc.**, Hsinchu County (TW)

(**) Term: **14 Years**

(21) Appl. No.: **29/332,938**

(22) Filed: **Feb. 27, 2009**

(30) **Foreign Application Priority Data**

Feb. 29, 2008 (TW) 97301086

(51) **LOC (9) Cl.** **26-04**

(52) **U.S. Cl.** **D26/3**

(58) **Field of Classification Search** D26/1-4;
313/313, 315, 317, 318; 315/52, 53, 56,
315/57, 58

See application file for complete search history.

(56) **References Cited**

U.S. PATENT DOCUMENTS

D568,500 S * 5/2008 Uemoto et al. D26/24

D571,938 S * 6/2008 Uemoto et al. D26/24
D573,730 S * 7/2008 Uemoto et al. D26/24
D586,032 S * 2/2009 Salman D26/113

* cited by examiner

Primary Examiner—Marcus A. Jackson

(74) *Attorney, Agent, or Firm*—WPAT, P.C.; Anthony King

(57) **CLAIM**

The ornamental design for an LED module, as shown and described.

DESCRIPTION

FIG. 1 is a front view showing our new design for an LED module, with the center portion broken away to indicate indeterminate length;

FIG. 2 is a rear view of the LED module of FIG. 1;

FIG. 3 is a top plan view of the LED module of FIG. 1;

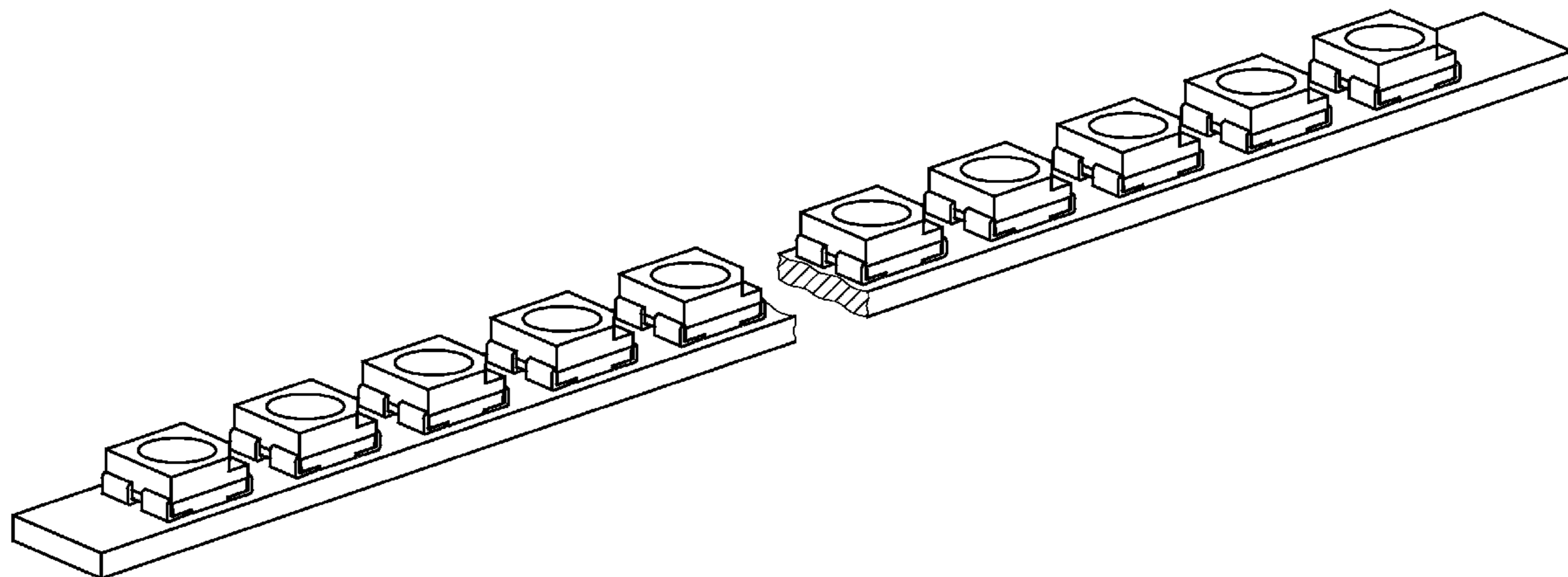
FIG. 4 is a bottom plan view of the LED module of FIG. 1;

FIG. 5 is a left side view of the LED module of FIG. 1;

FIG. 6 is a right side view of the LED module of FIG. 1; and,

FIG. 7 is a perspective view of the LED module of FIG. 1.

1 Claim, 4 Drawing Sheets



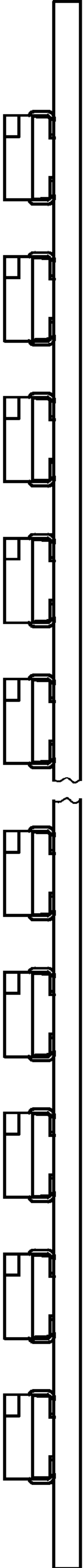


FIG. 1

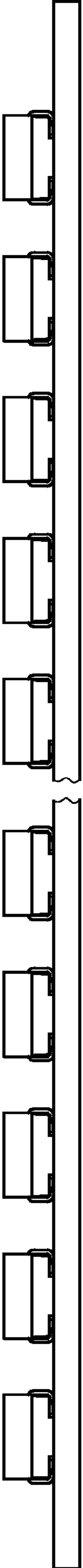


FIG. 2

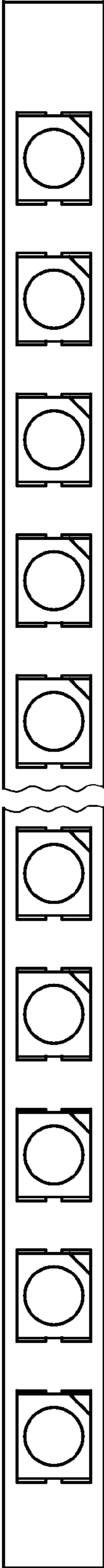


FIG. 3

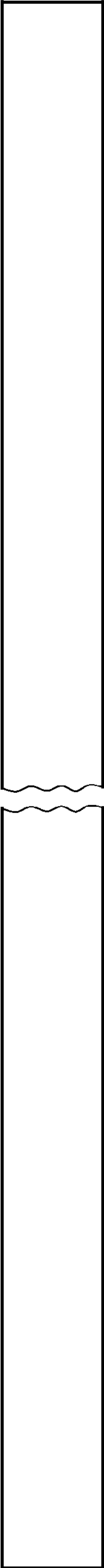


FIG. 4

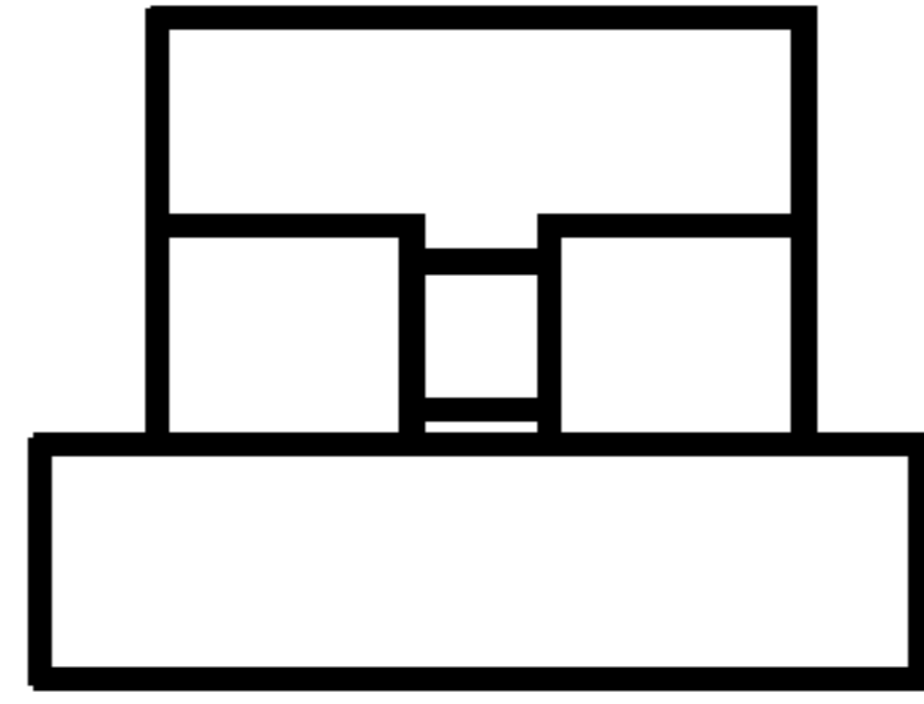


FIG. 5

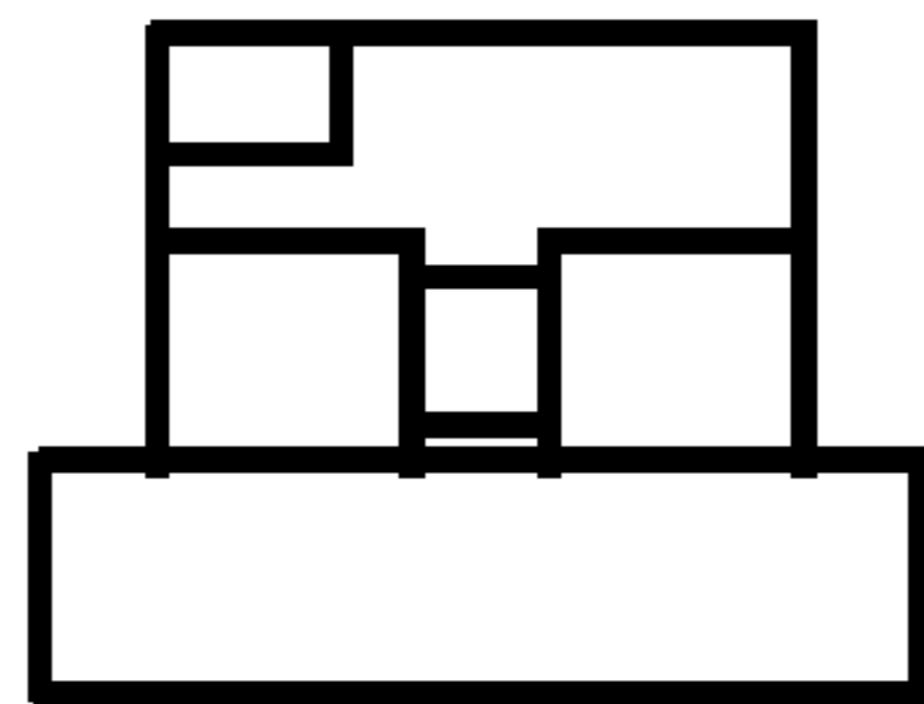


FIG. 6

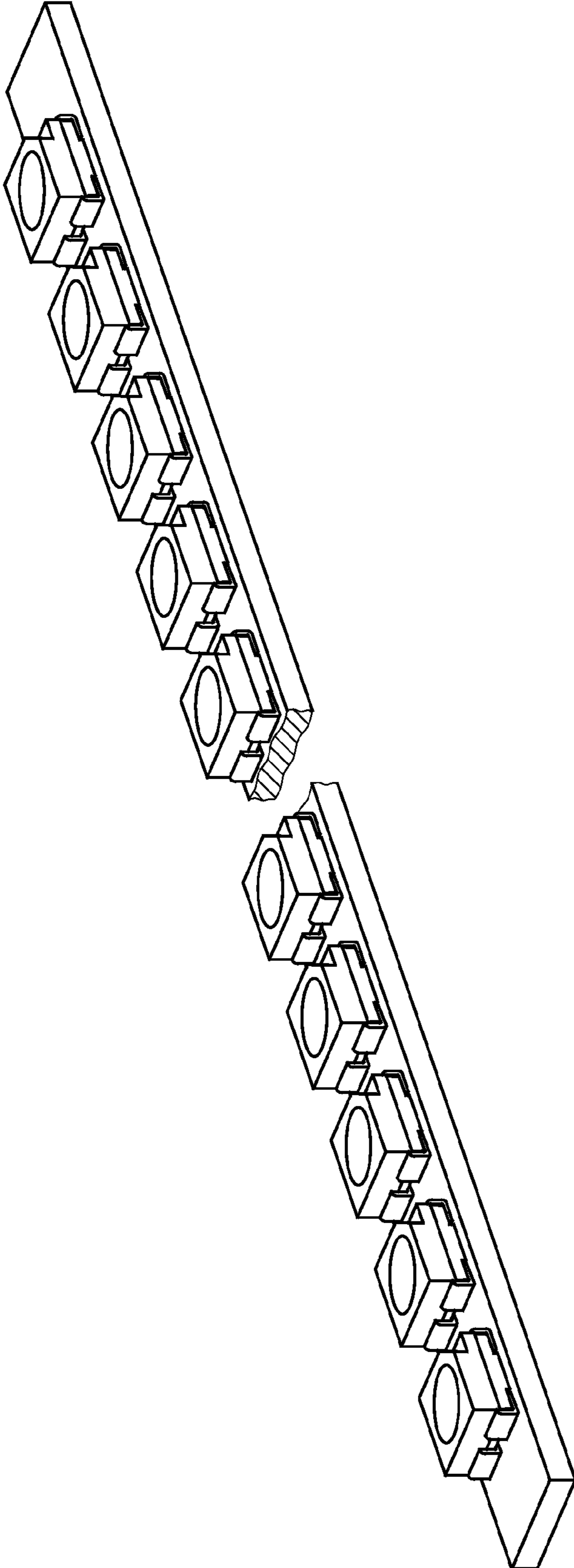


FIG. 7