



US00D600371S

(12) **United States Design Patent**
Genz et al.

(10) **Patent No.:** **US D600,371 S**
(45) **Date of Patent:** **** Sep. 15, 2009**

(54) **DISCHARGE LAMP**

(75) Inventors: **Andreas Genz**, Berlin (DE); **Leon Grabinski**, Berlin (DE); **Jurgen Graf**, Augsburg (DE)

(73) Assignee: **OSRAM Gesellschaft mit beschaenkter Haftung**, Munich (DE)

(**) Term: **14 Years**

(21) Appl. No.: **29/313,774**

(22) Filed: **Feb. 10, 2009**

(30) **Foreign Application Priority Data**

Aug. 14, 2008 (DE) 40 2008 003 920

(51) **LOC (9) Cl.** **26-04**

(52) **U.S. Cl.** **D26/3**

(58) **Field of Classification Search** D26/1-4;
313/313, 315, 317, 318, 493; 315/52, 53,
315/56, 57, 58

See application file for complete search history.

(56) **References Cited**

U.S. PATENT DOCUMENTS

D359,571 S * 6/1995 Abbott D26/3

D506,274 S * 6/2005 Moriyama et al. D26/3
7,112,116 B2 9/2006 Graf et al.
D537,176 S * 2/2007 Iida D26/3
D537,547 S * 2/2007 Iida D26/3

* cited by examiner

Primary Examiner—Marcus A. Jackson

(74) *Attorney, Agent, or Firm*—Frishauf, Holtz, Goodman & Chick, P.C.

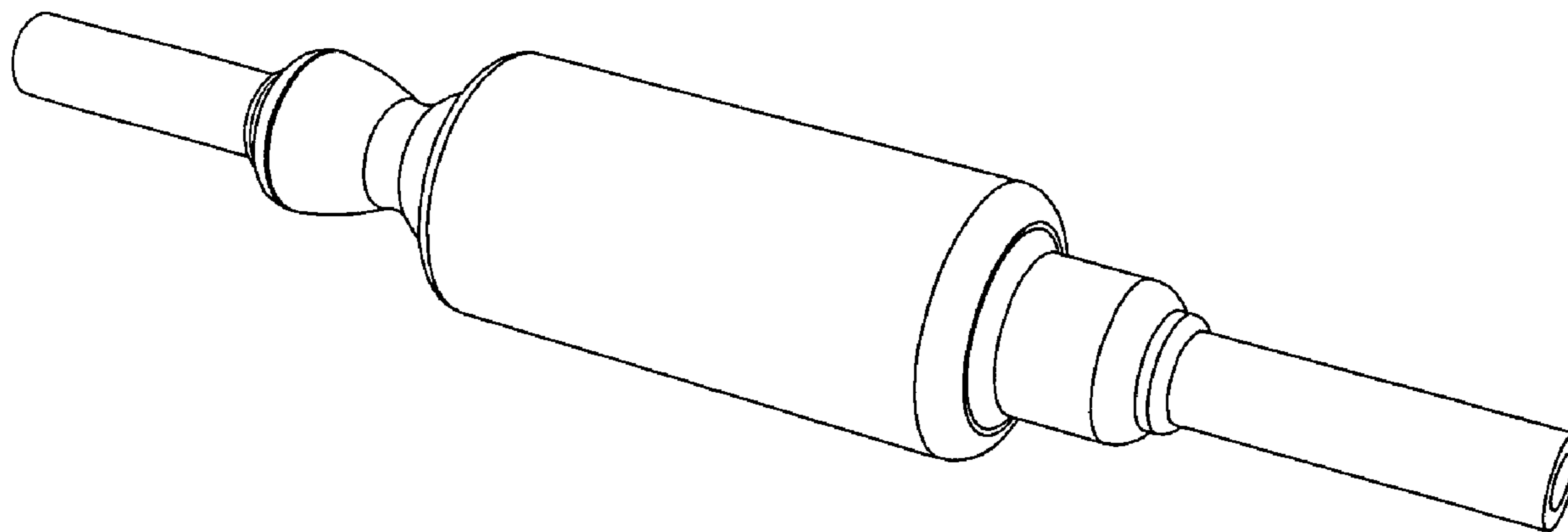
(57) **CLAIM**

The ornamental design for discharge lamp, as shown.

DESCRIPTION

FIG. 1 is a perspective view of a discharge lamp;
FIG. 2 front view of the discharge lamp;
FIG. 3 is a right side view of the discharge lamp; and,
FIG. 4 is a left side view of the discharge lamp.

1 Claim, 1 Drawing Sheet



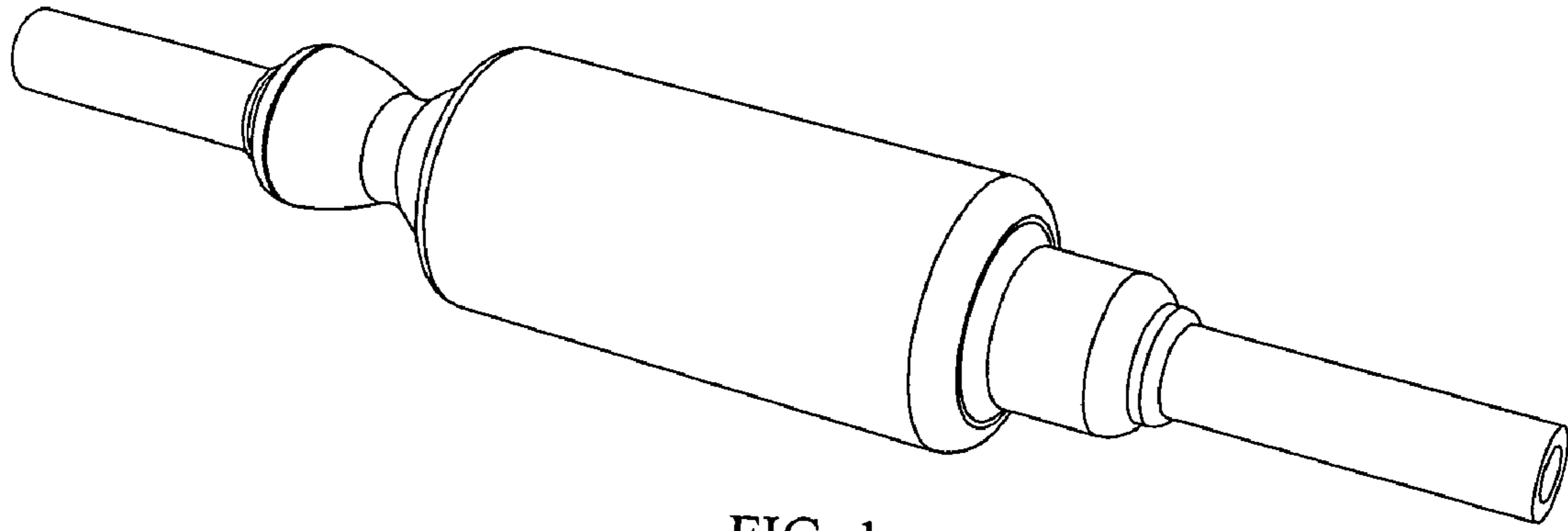


FIG. 1

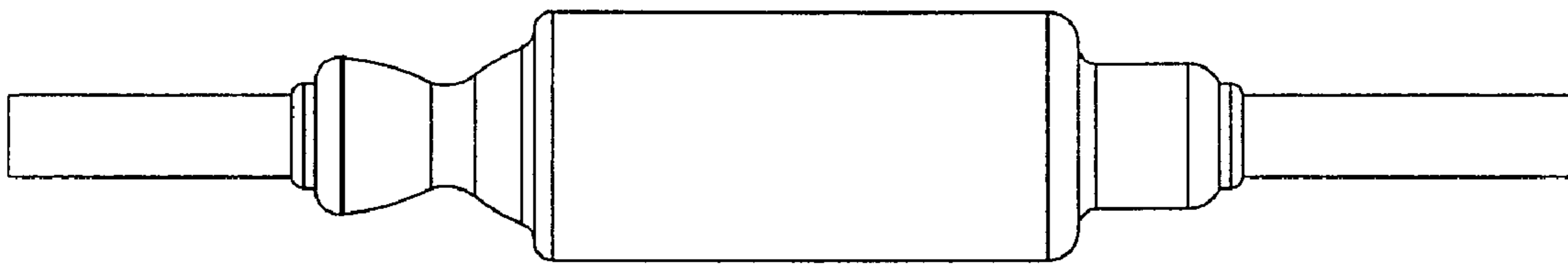


FIG. 2

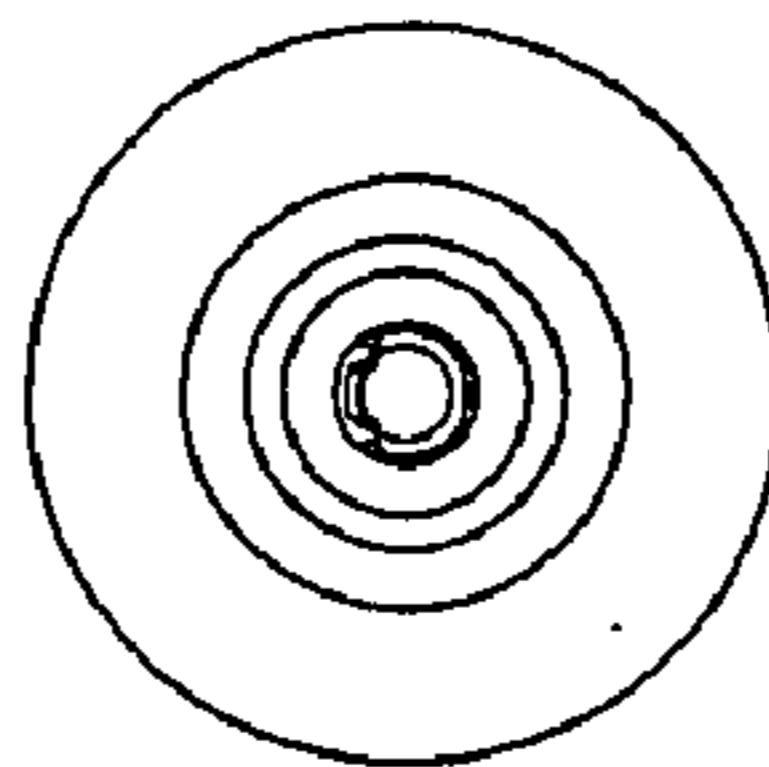


FIG. 3

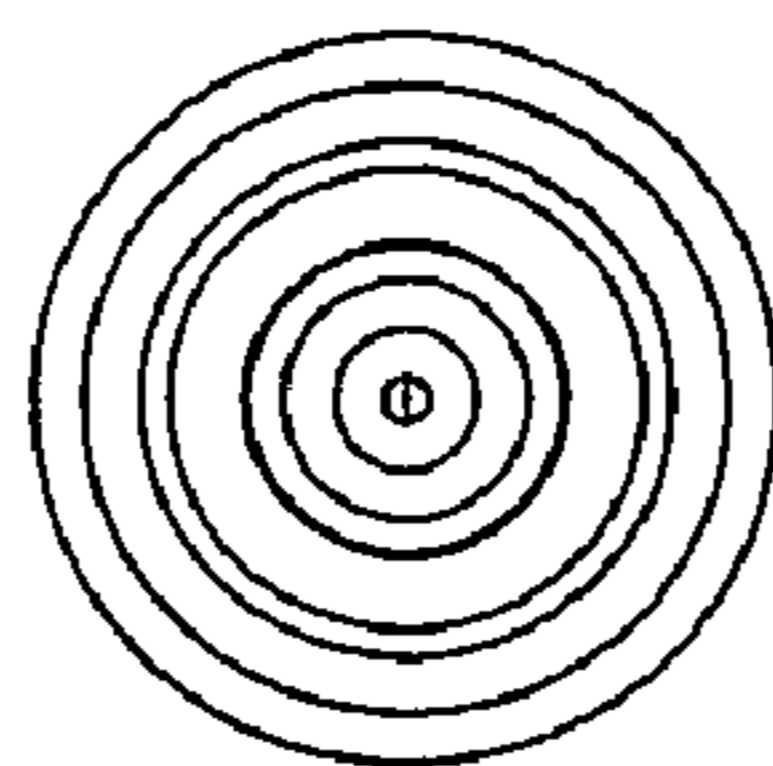


FIG. 4