



US00D600362S

(12) **United States Design Patent**
Geffe

(10) **Patent No.:** **US D600,362 S**

(45) **Date of Patent:** **** Sep. 15, 2009**

(54) **DECK SLAT**

(75) Inventor: **Kurt Geffe**, Bellevue, WA (US)

(73) Assignee: **Innovative Material Handling, Incorporated**, Issaquah, WA (US)

(**) Term: **14 Years**

(21) Appl. No.: **29/301,531**

(22) Filed: **Mar. 4, 2008**

(51) **LOC (9) Cl.** **25-01**

(52) **U.S. Cl.** **D25/126**

(58) **Field of Classification Search** D25/125,
D25/121, 126; 52/311.1, 314, 87, 650.3,
52/798.1, 450; 428/49, 44, 48, 57, 542.6,
428/52, 60; D30/120; 119/509, 525, 526,
119/527, 530

See application file for complete search history.

(56) **References Cited**

U.S. PATENT DOCUMENTS

4,235,197 A * 11/1980 Curtis et al. 119/530
D273,997 S * 5/1984 Ryan D25/126
5,491,946 A * 2/1996 Landis et al. 52/336
D380,281 S * 6/1997 Menz D25/121

* cited by examiner

Primary Examiner—Doris Clark

(74) *Attorney, Agent, or Firm*—Seed Intellectual Property Law Group PLLC

(57) **CLAIM**

The ornamental design for a deck slat, as shown and described.

DESCRIPTION

FIG. 1 is a front, top perspective view of my new design.

FIG. 2 is a right side elevation view thereof, the left elevation view being identical to the right side elevation view.

FIG. 3 is a bottom plan view thereof.

FIG. 4 is a top plan view thereof.

FIG. 5 is an enlarged front elevation view thereof.

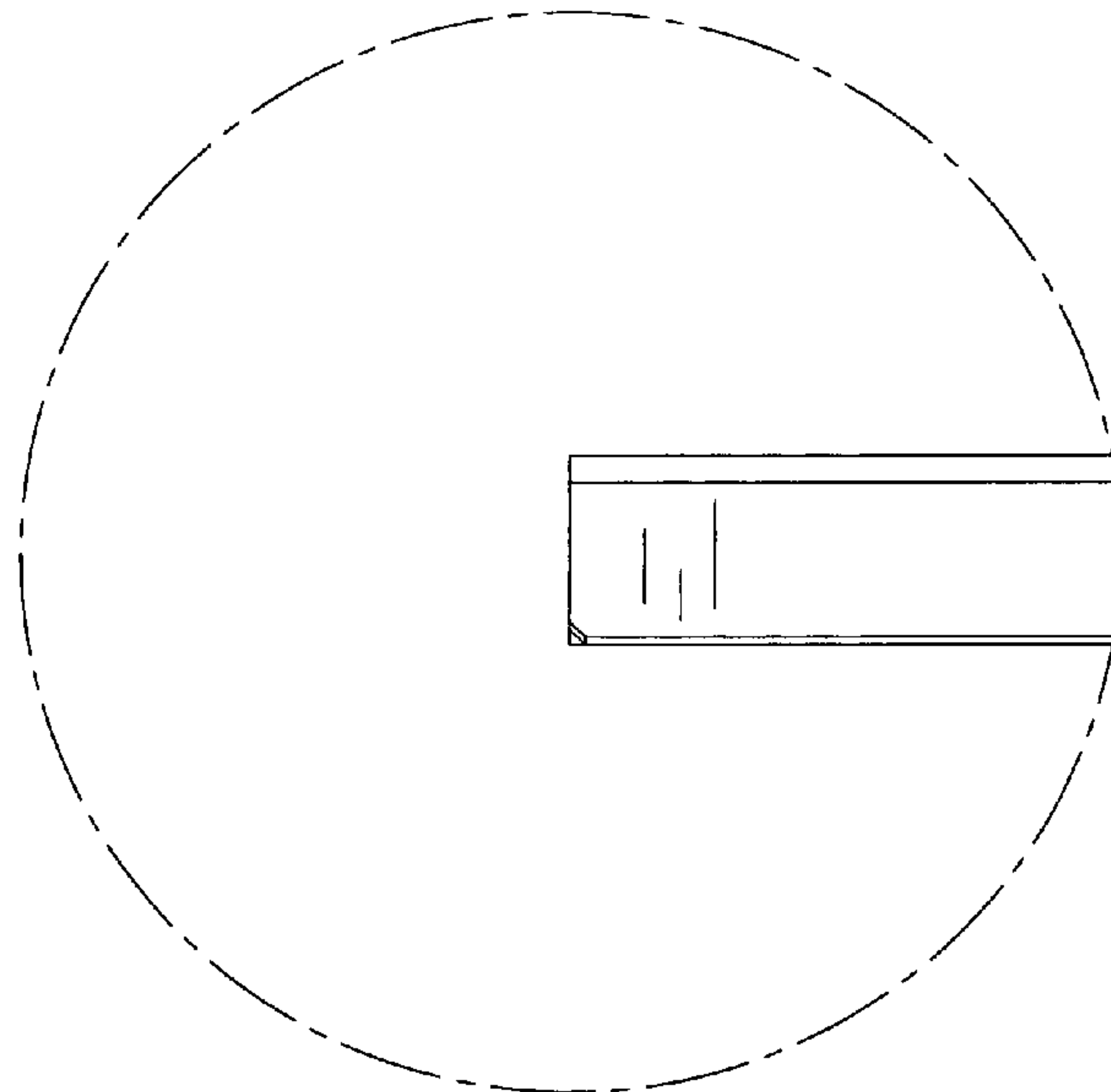
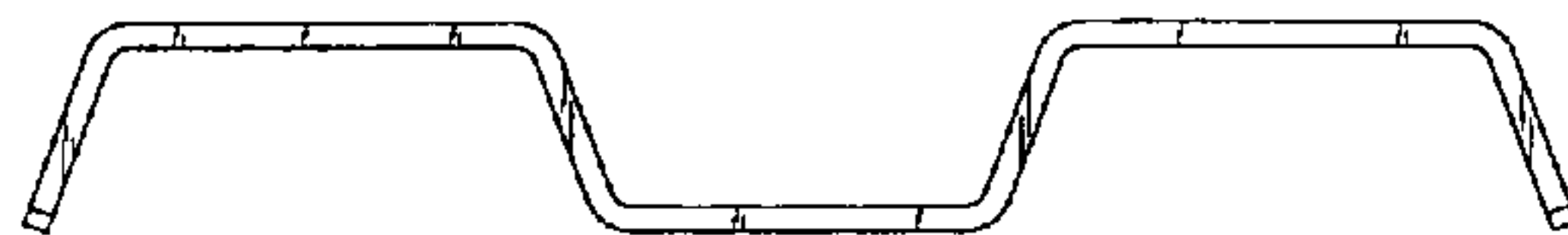
FIG. 6 is an enlarged view thereof designated by the circle labeled 6 of FIG. 2.

FIG. 7 is an enlarged view thereof designated by the circle labeled 7 of FIG. 3; and,

FIG. 8 is an enlarged view thereof designated by the circle labeled 8 of FIG. 4.

The broken lines in the figures are for illustrative purposes only and form no part of the claimed design.

1 Claim, 5 Drawing Sheets



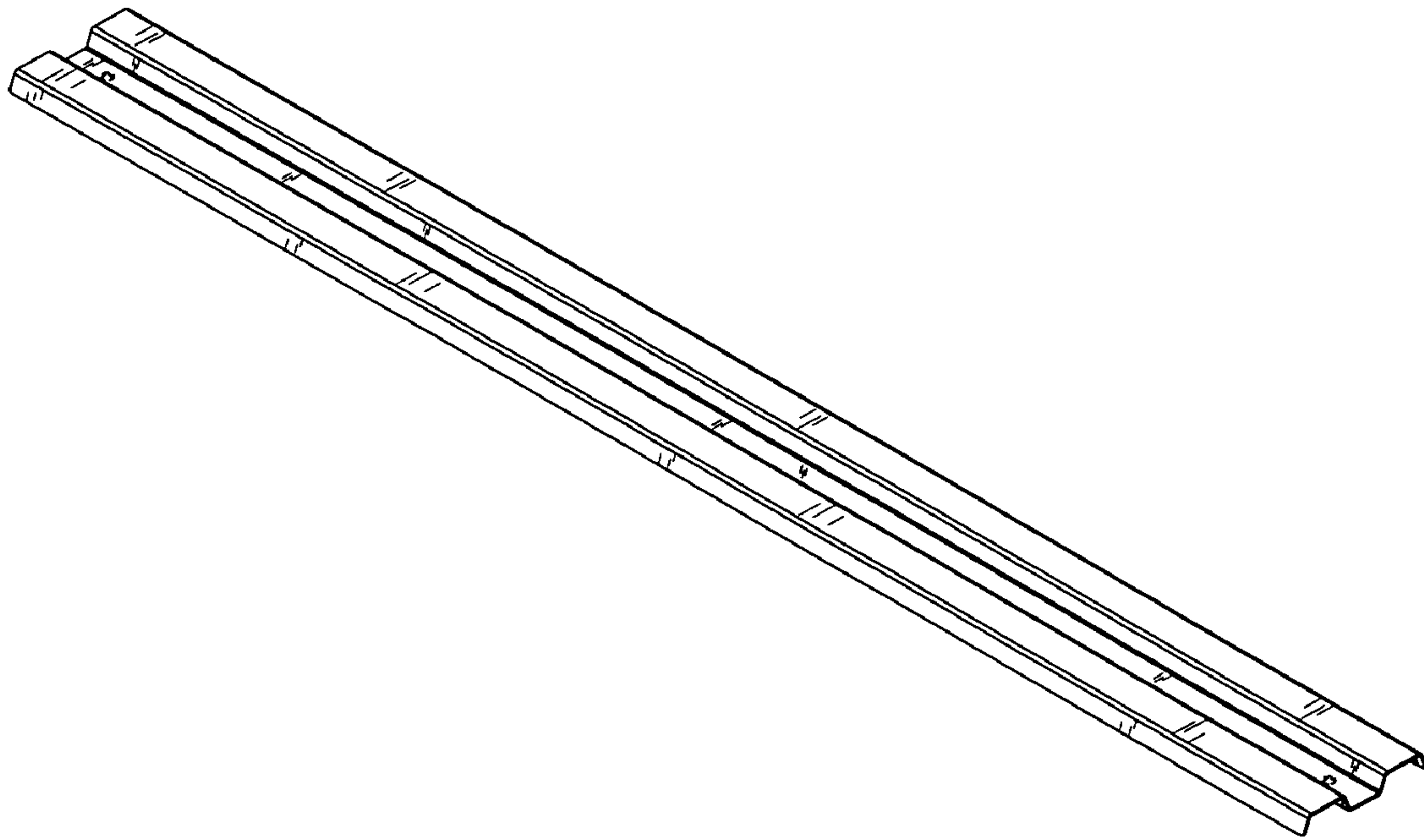


FIG. 1

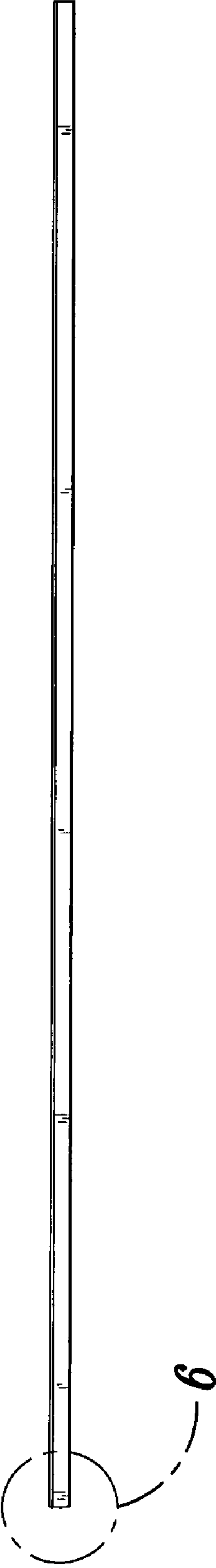


FIG. 2

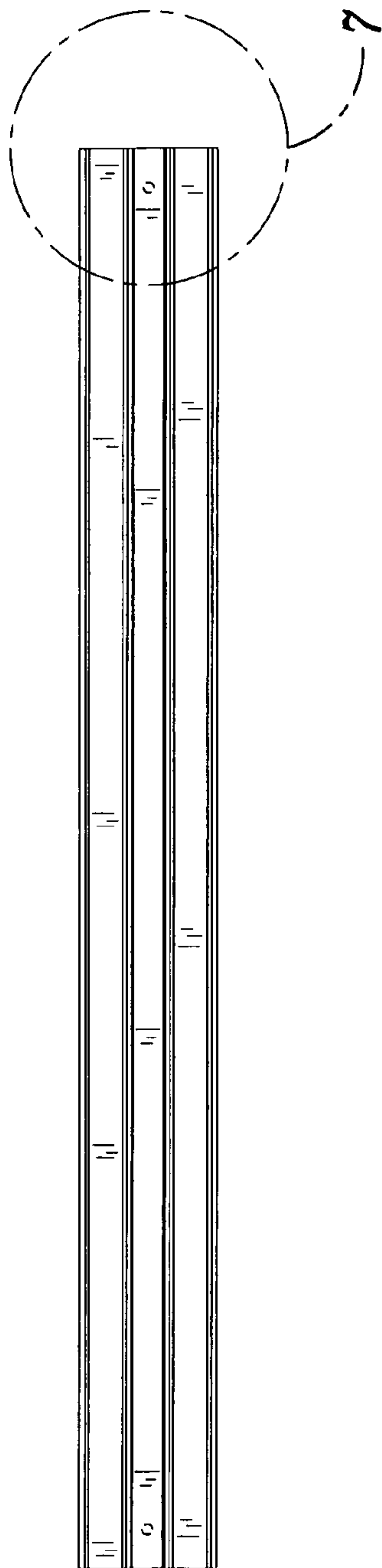


FIG. 3

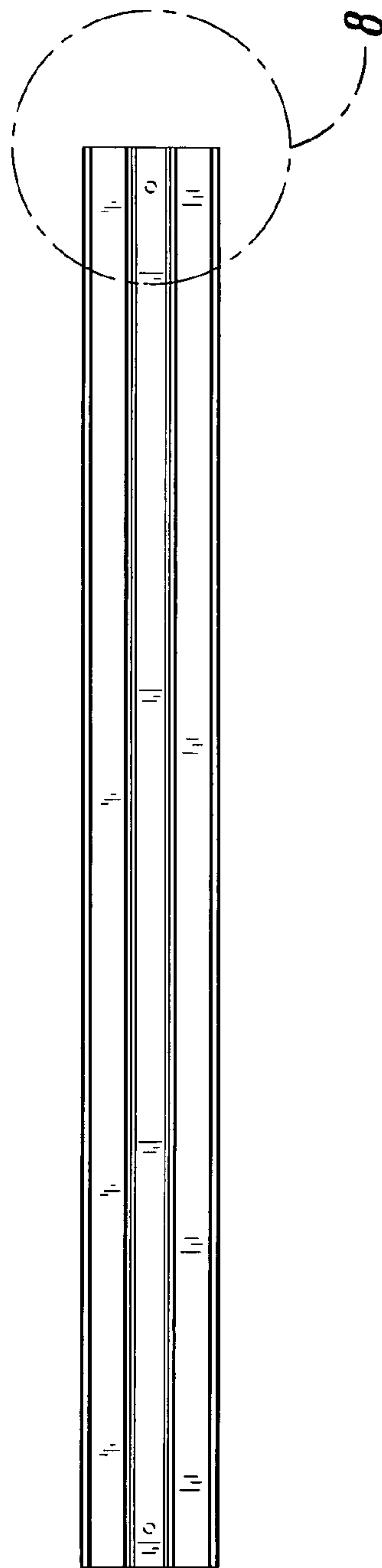


FIG. 4

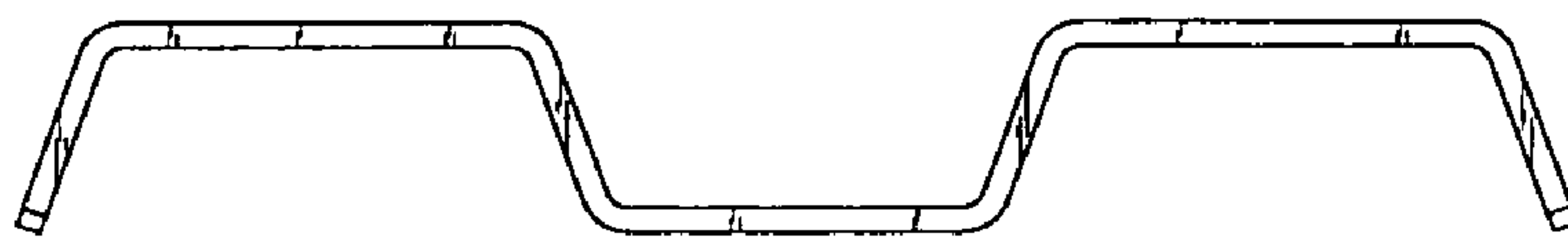


FIG. 5

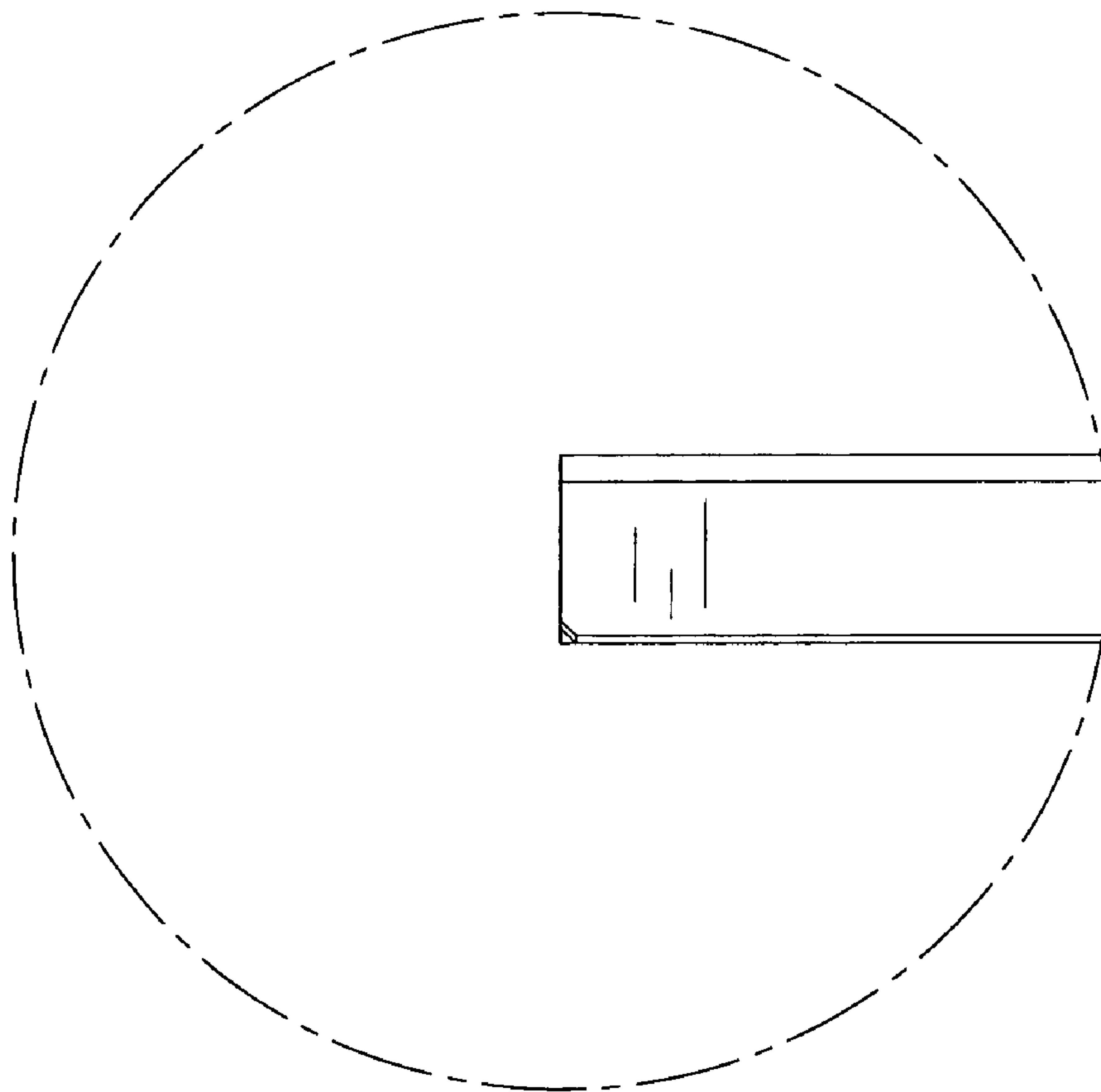


FIG. 6

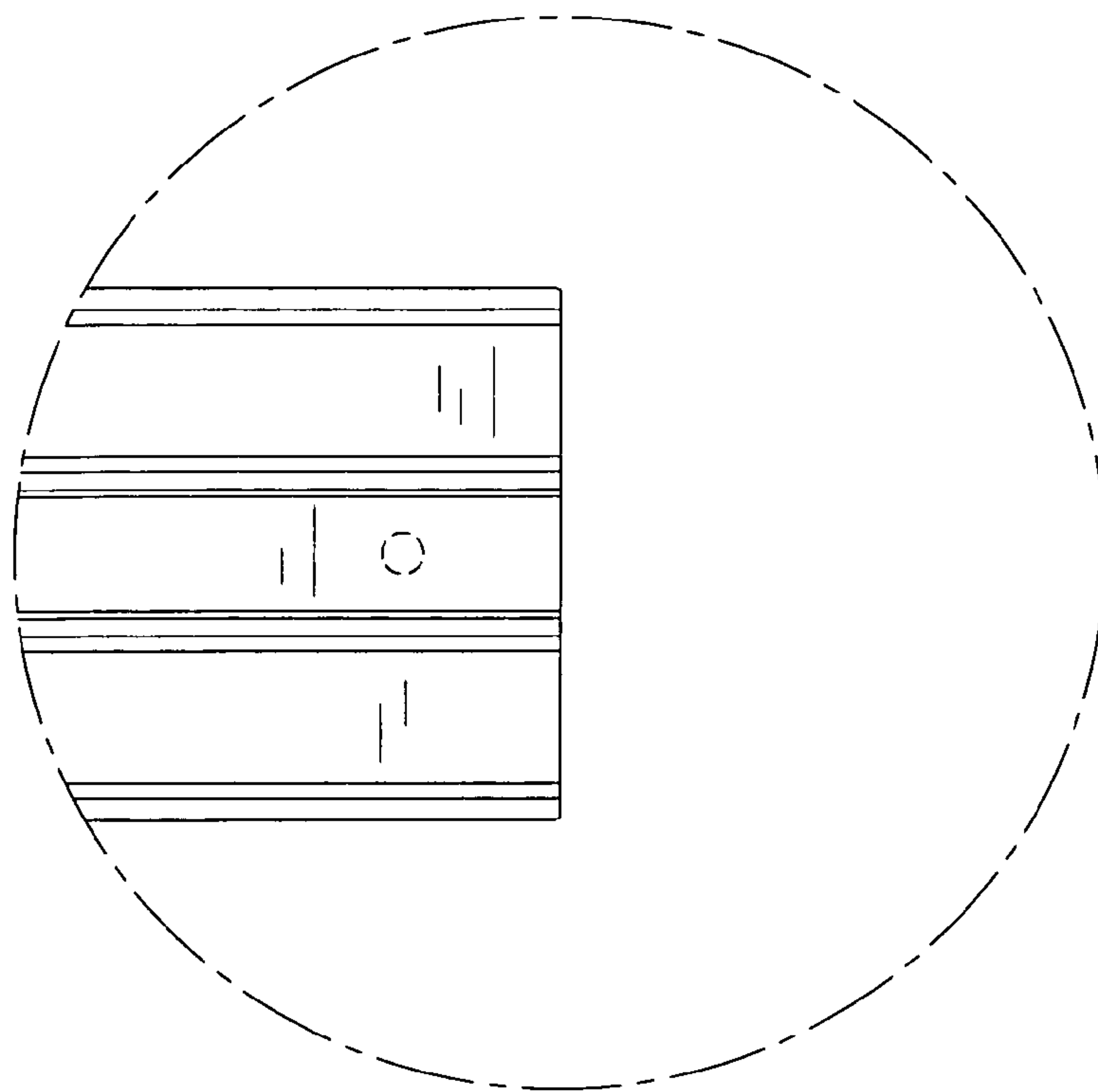


FIG. 7

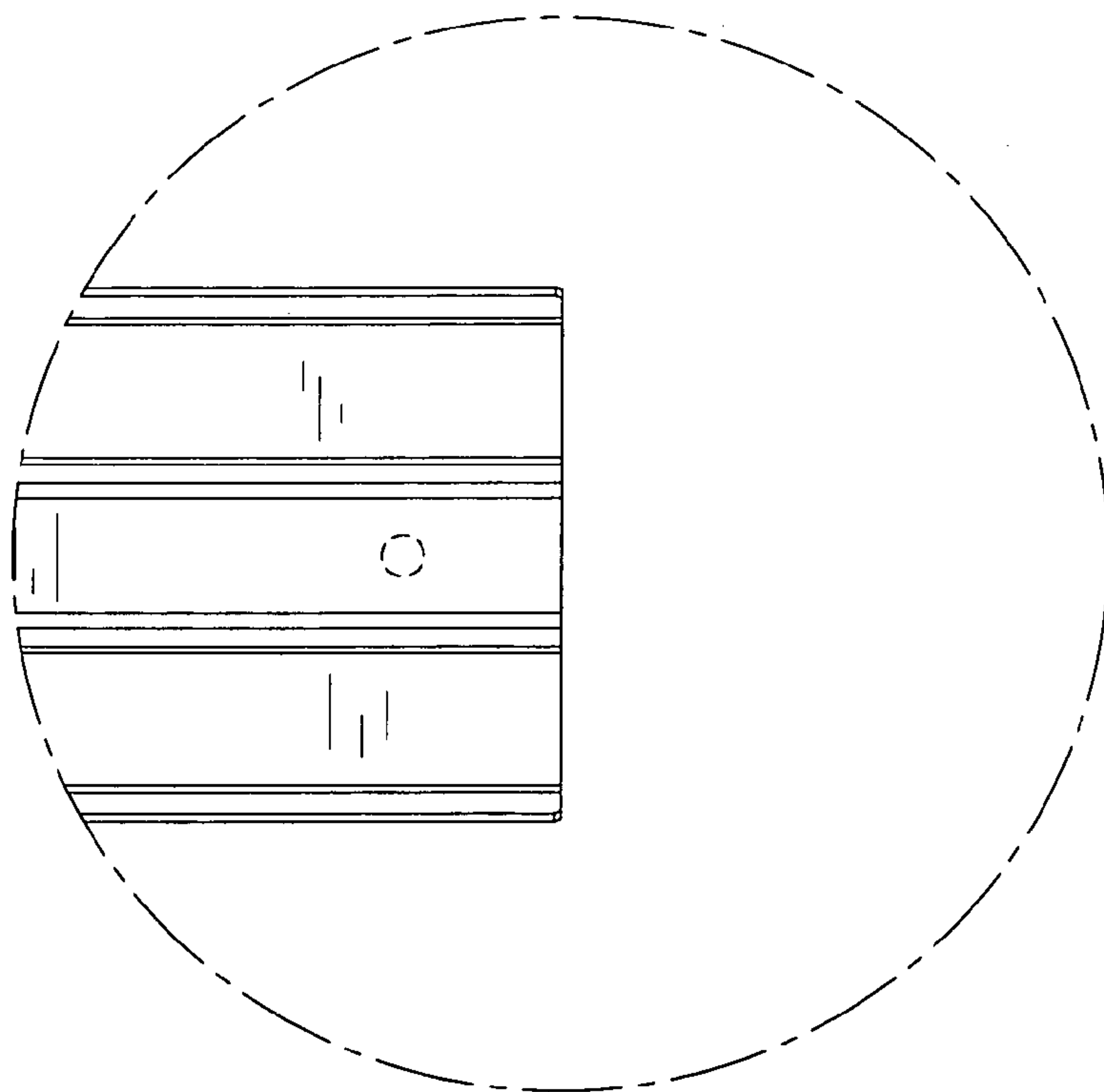


FIG. 8