



US00D600349S

(12) **United States Design Patent**  
**Bell et al.**

(10) **Patent No.:** **US D600,349 S**

(45) **Date of Patent:** **\*\* Sep. 15, 2009**

(54) **ANALYTE TEST METER**

(75) Inventors: **Michael Bell**, Morgan Hill, CA (US);  
**Kirk Harmon**, San Ramon, CA (US);  
**Barry Weber**, Livermore, CA (US);  
**Steve Neuenfeldt**, Pleasanton, CA (US);  
**Peter Templeton**, Muir of Ord (GB);  
**Paul Hausman**, San Ramon, CA (US);  
**Ken Ewing**, Fremont, CA (US);  
**Roberto Pozzan**, Vanzago (IT); **Thomas Rangi Sutton**, Milan (IT); **Yossef Schvetz**, Milan (IT); **Fabio Sergio**, Varese (IT)

(73) Assignee: **LifeScan, Inc.**, Milpitas, CA (US)

(\*\*) Term: **14 Years**

(21) Appl. No.: **29/321,909**

(22) Filed: **Jul. 25, 2008**

(51) **LOC (9) Cl.** ..... **24-01**

(52) **U.S. Cl.** ..... **D24/169**

(58) **Field of Classification Search** ..... D24/107,  
D24/158, 165-169, 186, 232; D10/70, 78,  
D10/81, 98, 104; D14/149, 151, 168, 253,  
D14/341, 371, 374-375; 600/309, 316, 322,  
600/365, 368; 422/56-58, 61, 68.1, 102,  
422/104; 435/16; 436/168-169, 183; 455/404.1;  
379/428.4, 441, 446, 454-455

See application file for complete search history.

(56) **References Cited**

**U.S. PATENT DOCUMENTS**

D359,803 S \* 6/1995 Stanton et al. .... D24/167  
D378,414 S \* 3/1997 Allen et al. .... D24/165

D424,696 S \* 5/2000 Ray et al. .... D24/169  
D429,527 S \* 8/2000 Bolam et al. .... D24/169  
6,379,317 B1 \* 4/2002 Kintzig et al. .... 600/573  
D460,557 S \* 7/2002 Steinberg et al. .... D24/169  
D471,280 S \* 3/2003 Jaeck ..... D24/169  
D493,536 S \* 7/2004 Jaeck et al. .... D24/169  
D495,418 S \* 8/2004 Rounds et al. .... D24/169  
D545,436 S \* 6/2007 Padain ..... D24/169  
D585,314 S \* 1/2009 Schvetz ..... D10/78  
2003/0223906 A1 \* 12/2003 McAllister et al. .... 422/58  
2005/0232815 A1 \* 10/2005 Ruhl et al. .... 422/66

\* cited by examiner

*Primary Examiner*—Philip S Hyder

*Assistant Examiner*—Susan E Krakower

(57) **CLAIM**

We claim the ornamental design for an analyte test meter, as shown and described.

**DESCRIPTION**

FIG. 1 is a top, front and right side perspective view of an analyte test meter;

FIG. 2 is a top, rear and left side perspective view thereof;

FIG. 3 is a top plan view thereof;

FIG. 4 is a front elevational view thereof;

FIG. 5 is a bottom plan view thereof;

FIG. 6 is a rear elevational view thereof; and

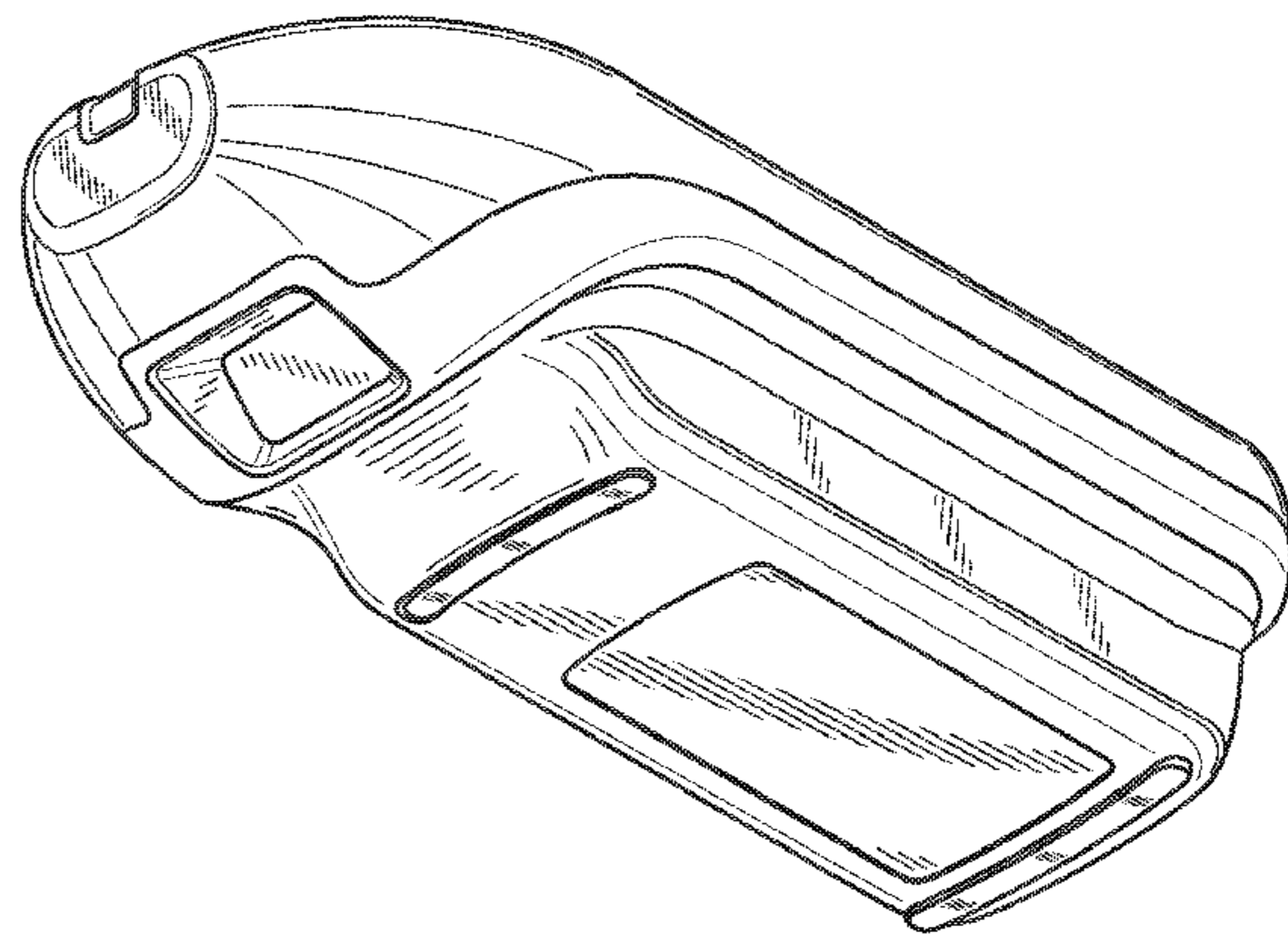
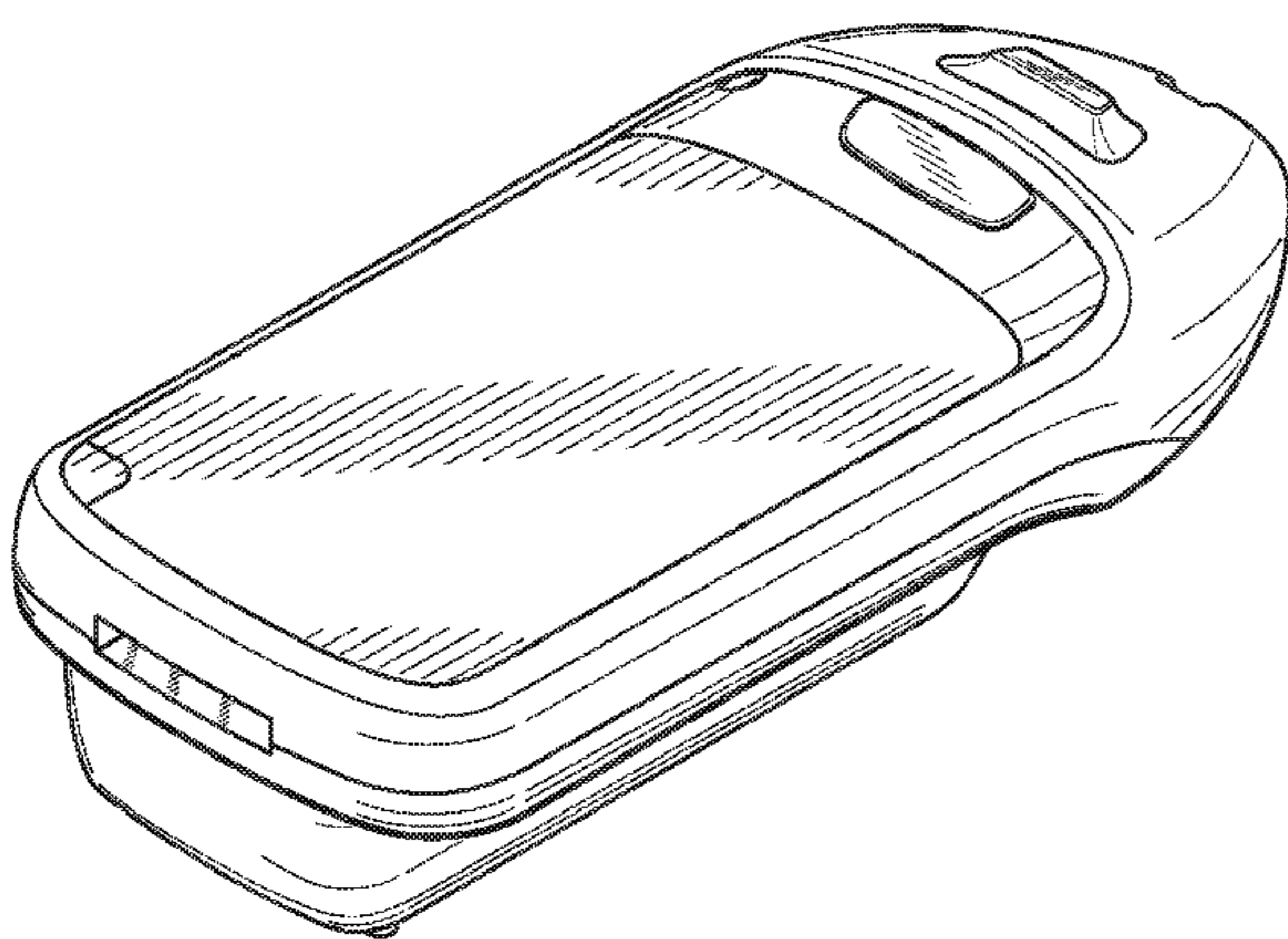
FIG. 7 is a left side elevational view thereof;

FIG. 8 is a right side elevational view thereof;

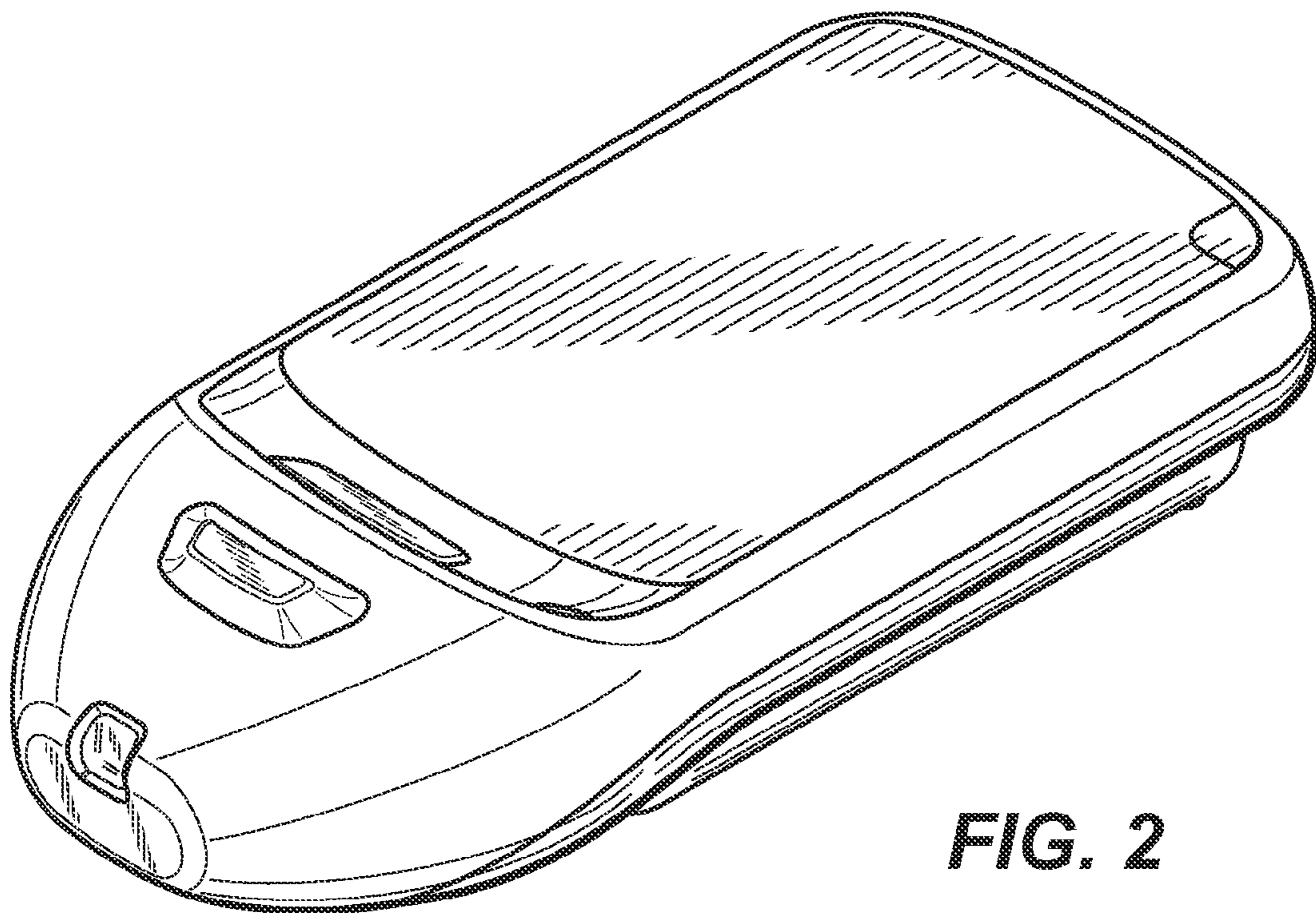
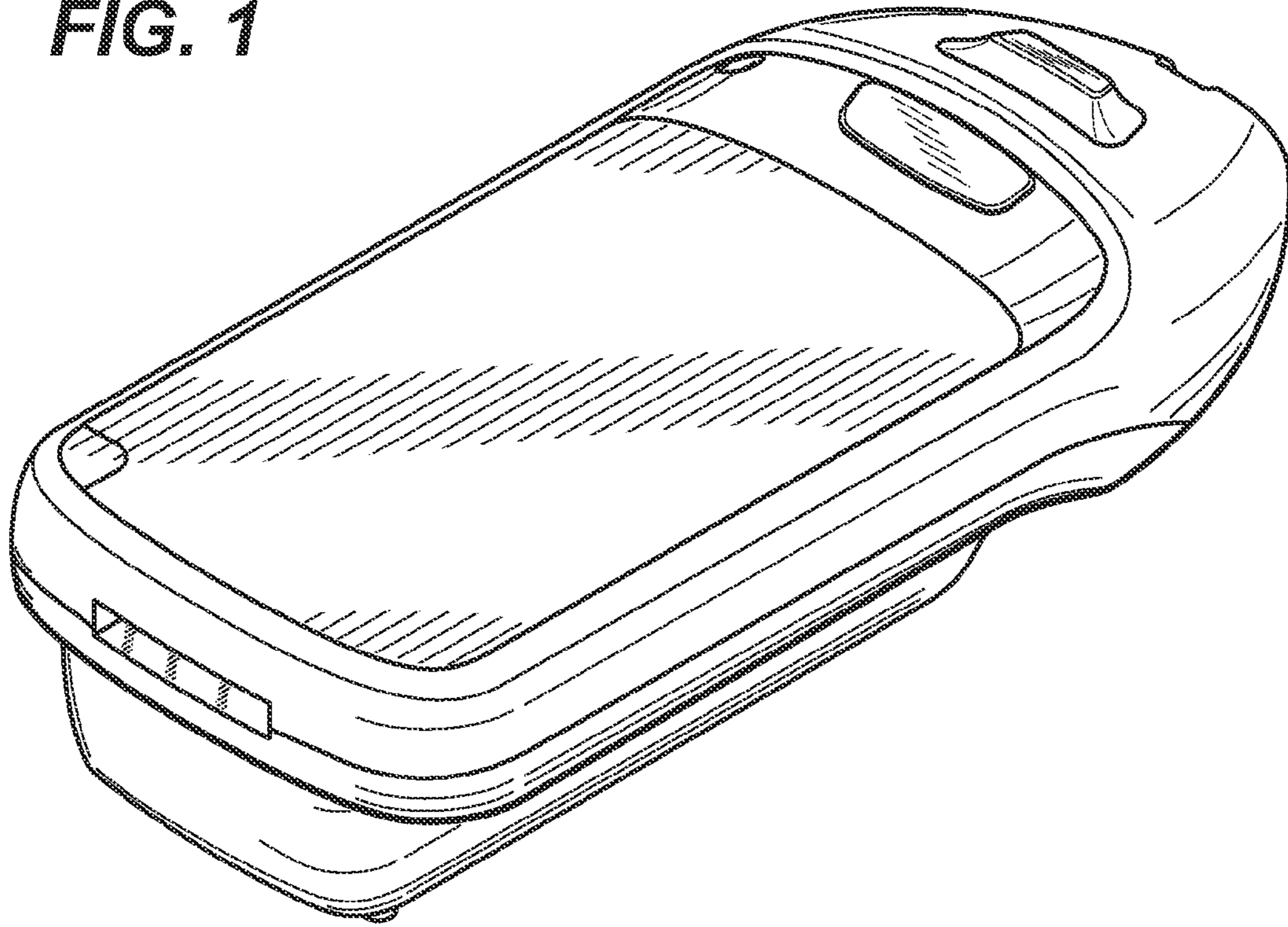
FIG. 9 is a bottom front elevational view thereof; and,

FIG. 10 is a bottom rear elevational view thereof.

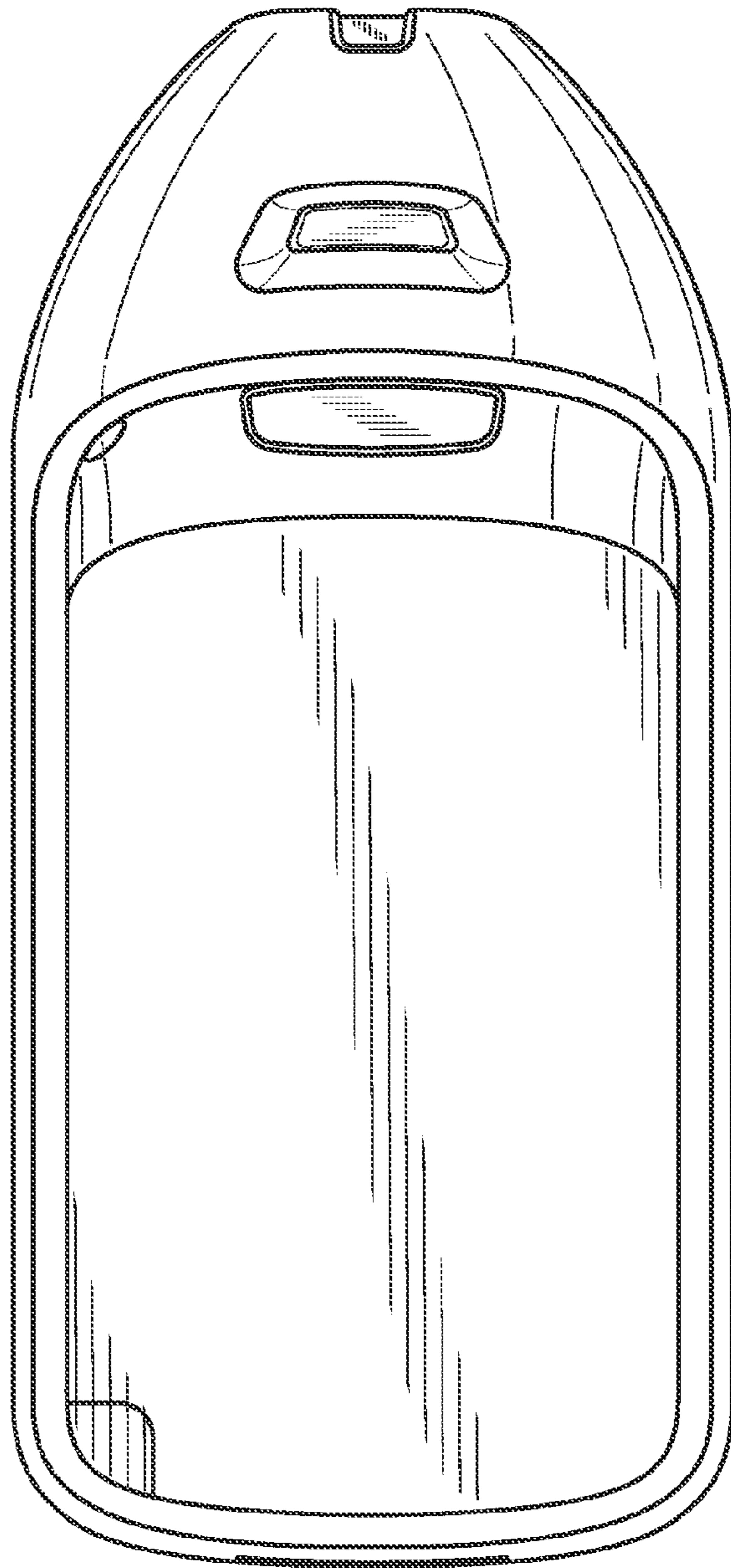
**1 Claim, 5 Drawing Sheets**



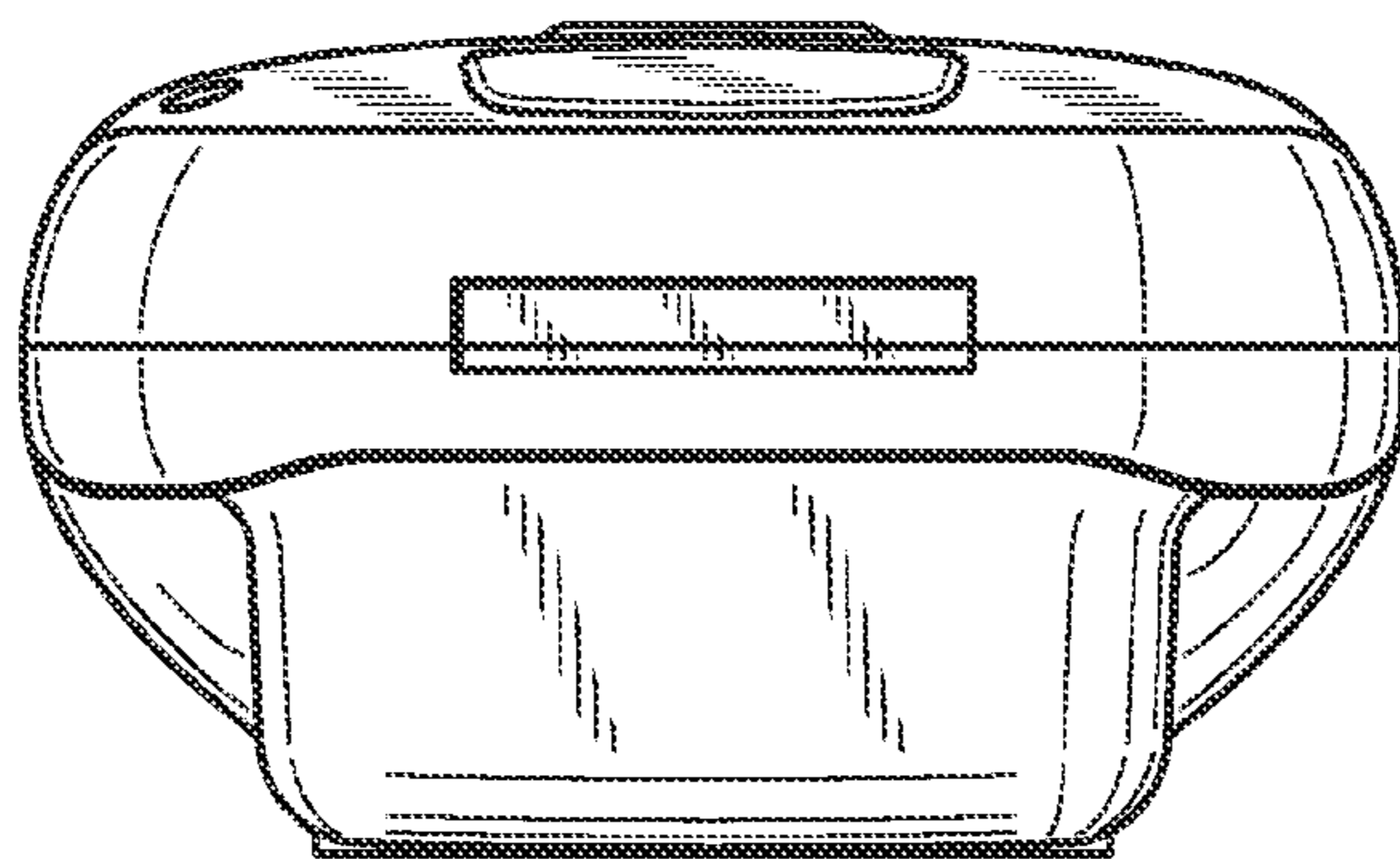
**FIG. 1**



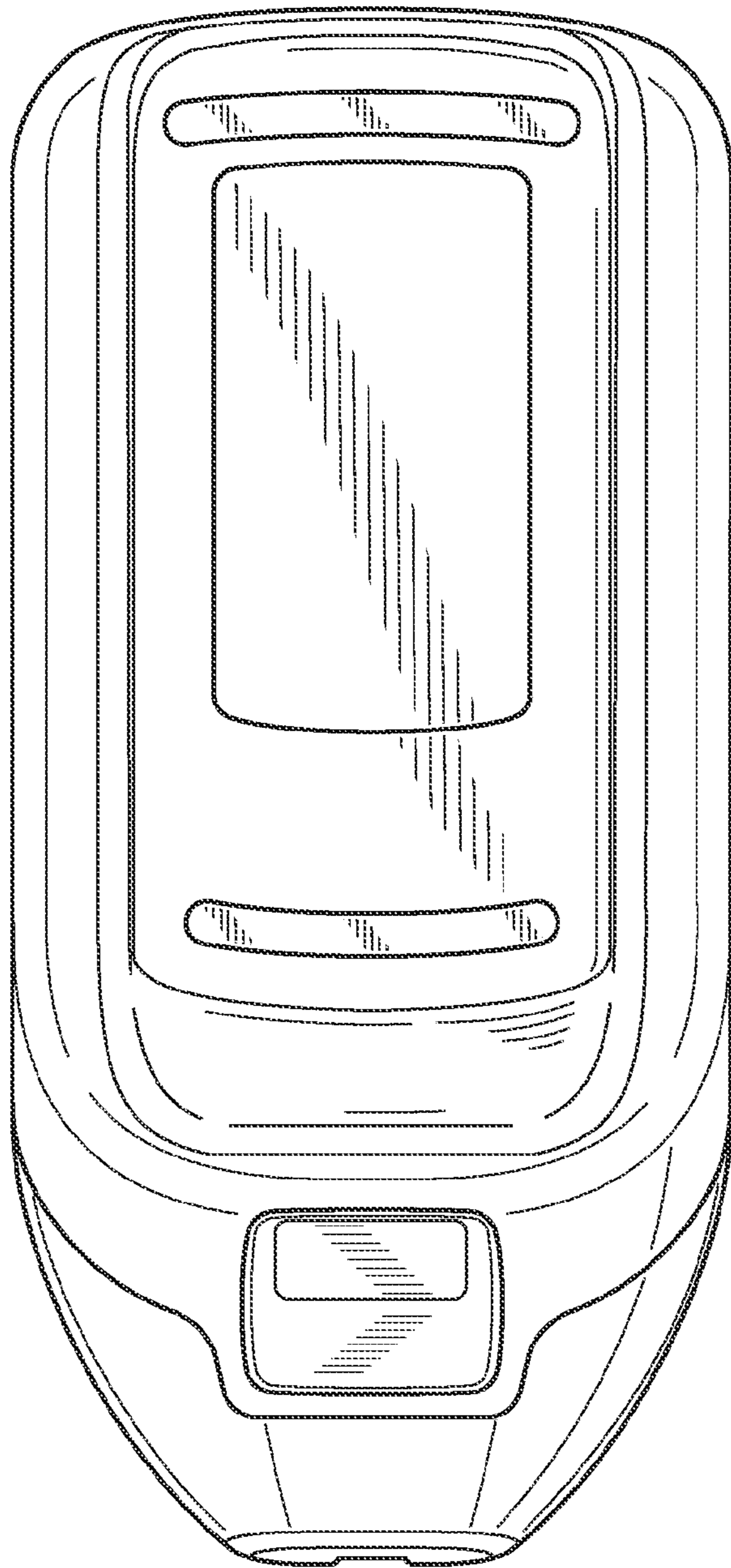
**FIG. 2**



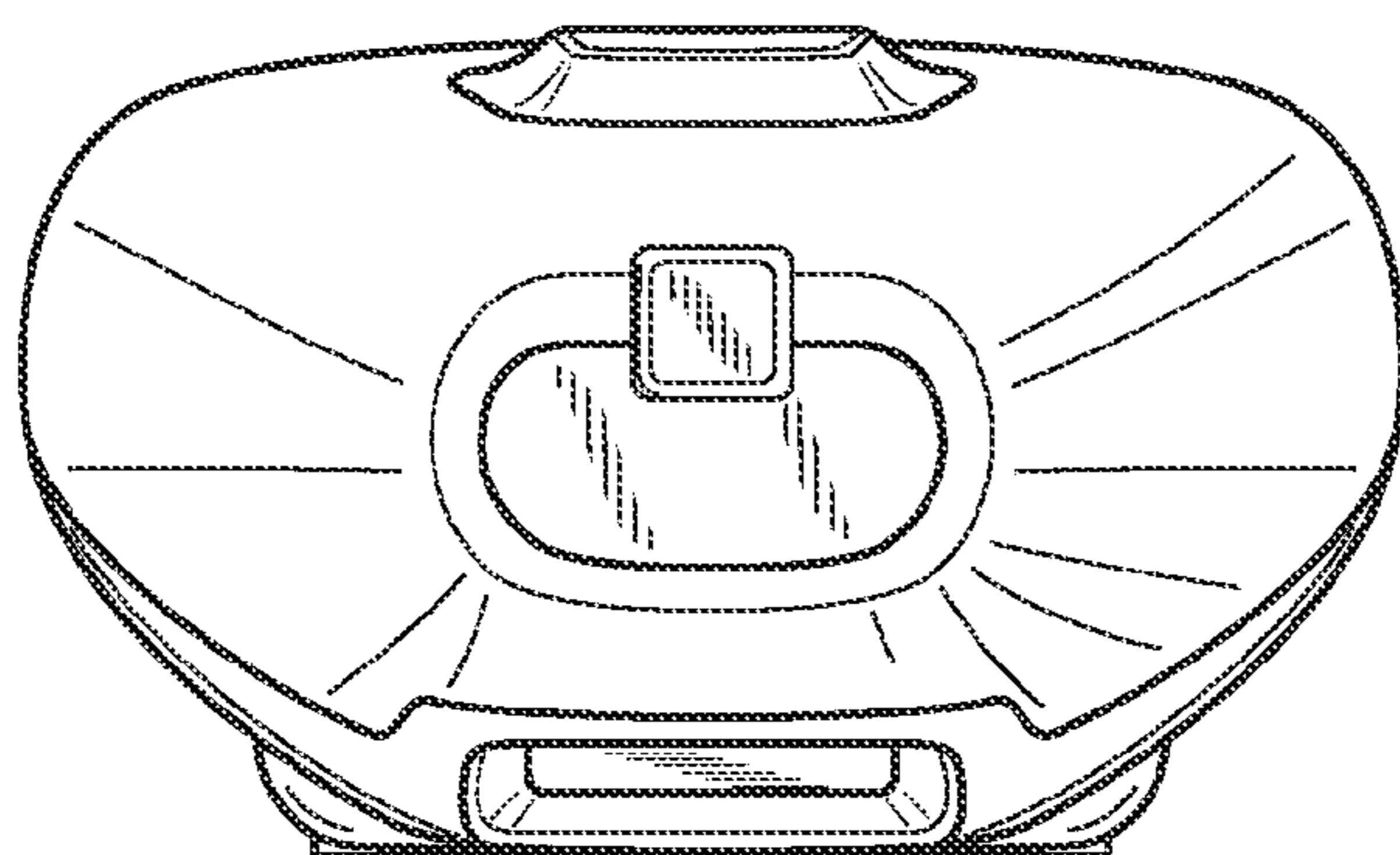
**FIG. 3**



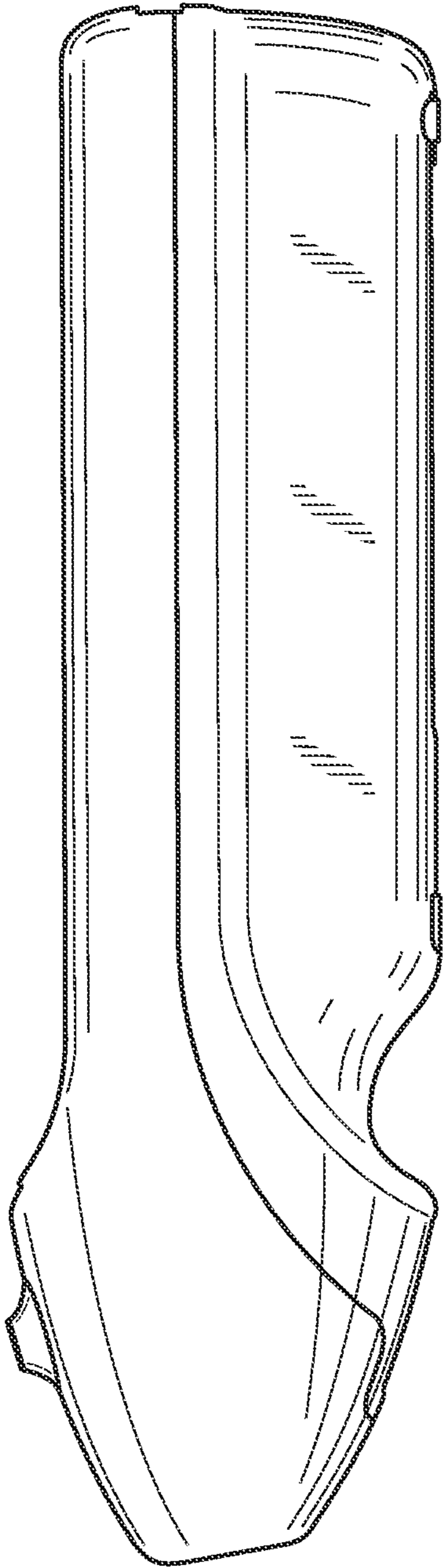
**FIG. 4**



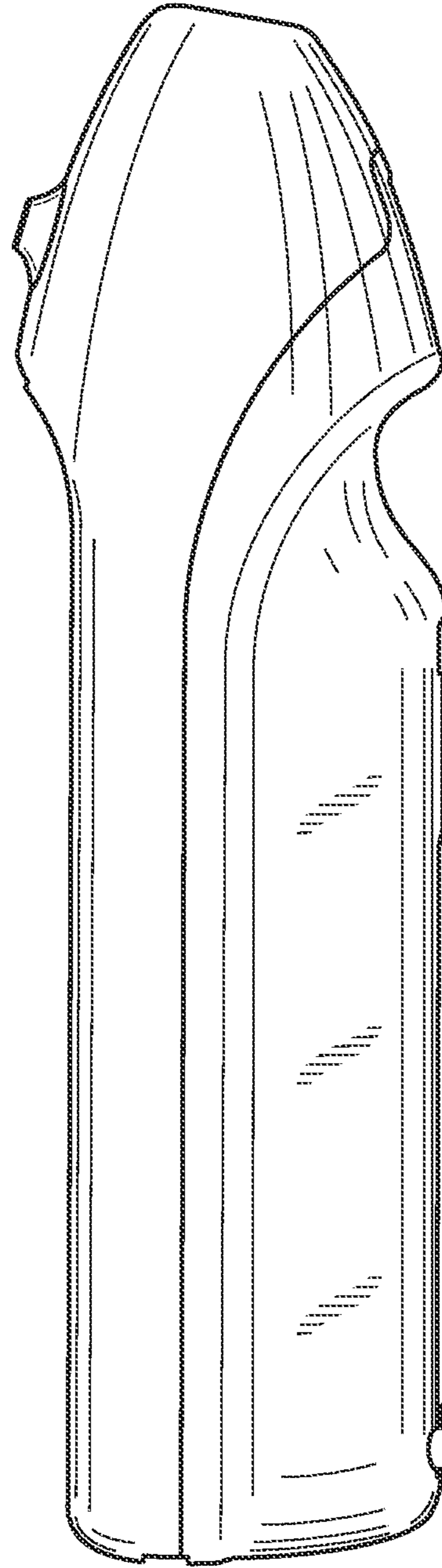
**FIG. 5**



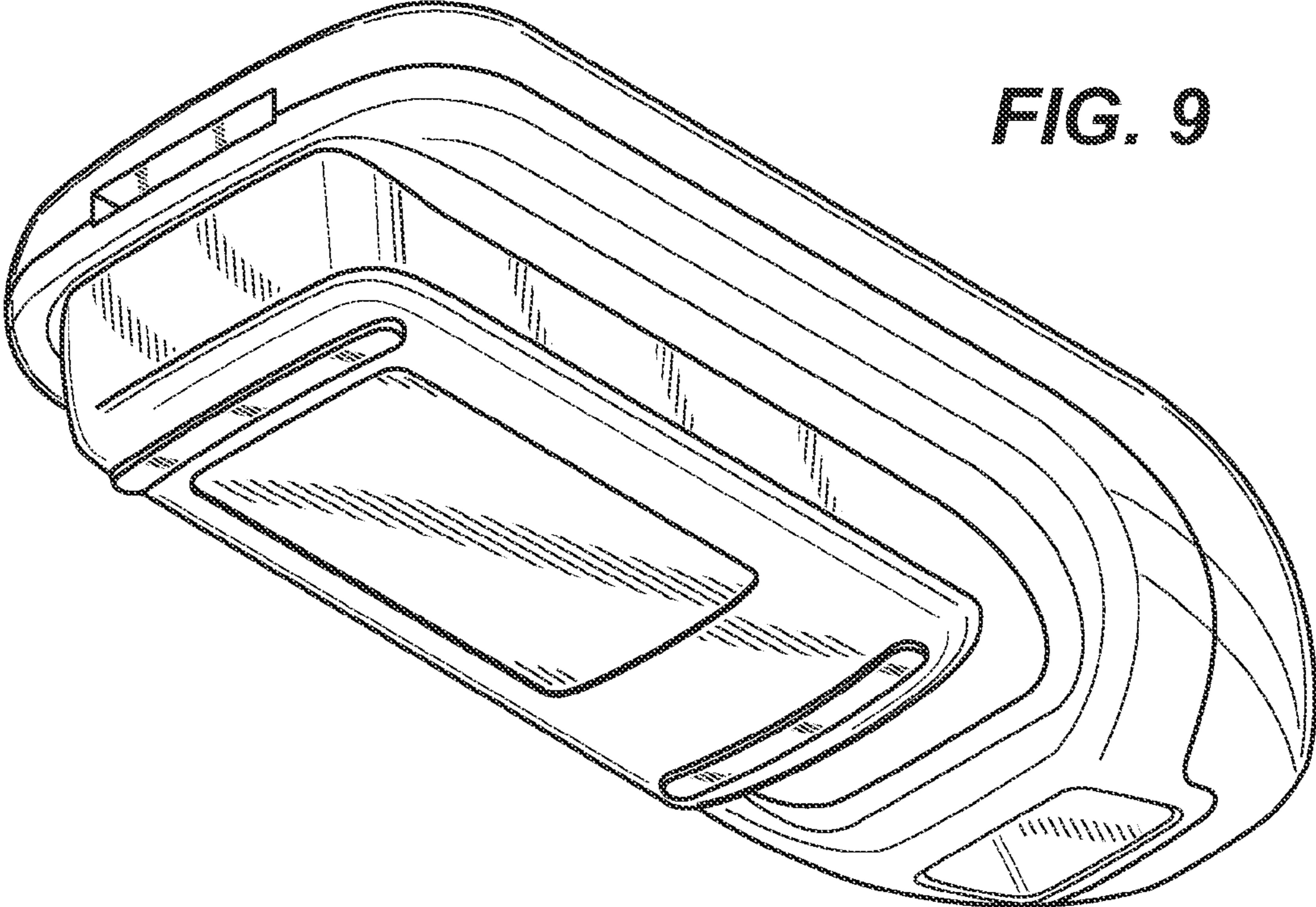
**FIG. 6**



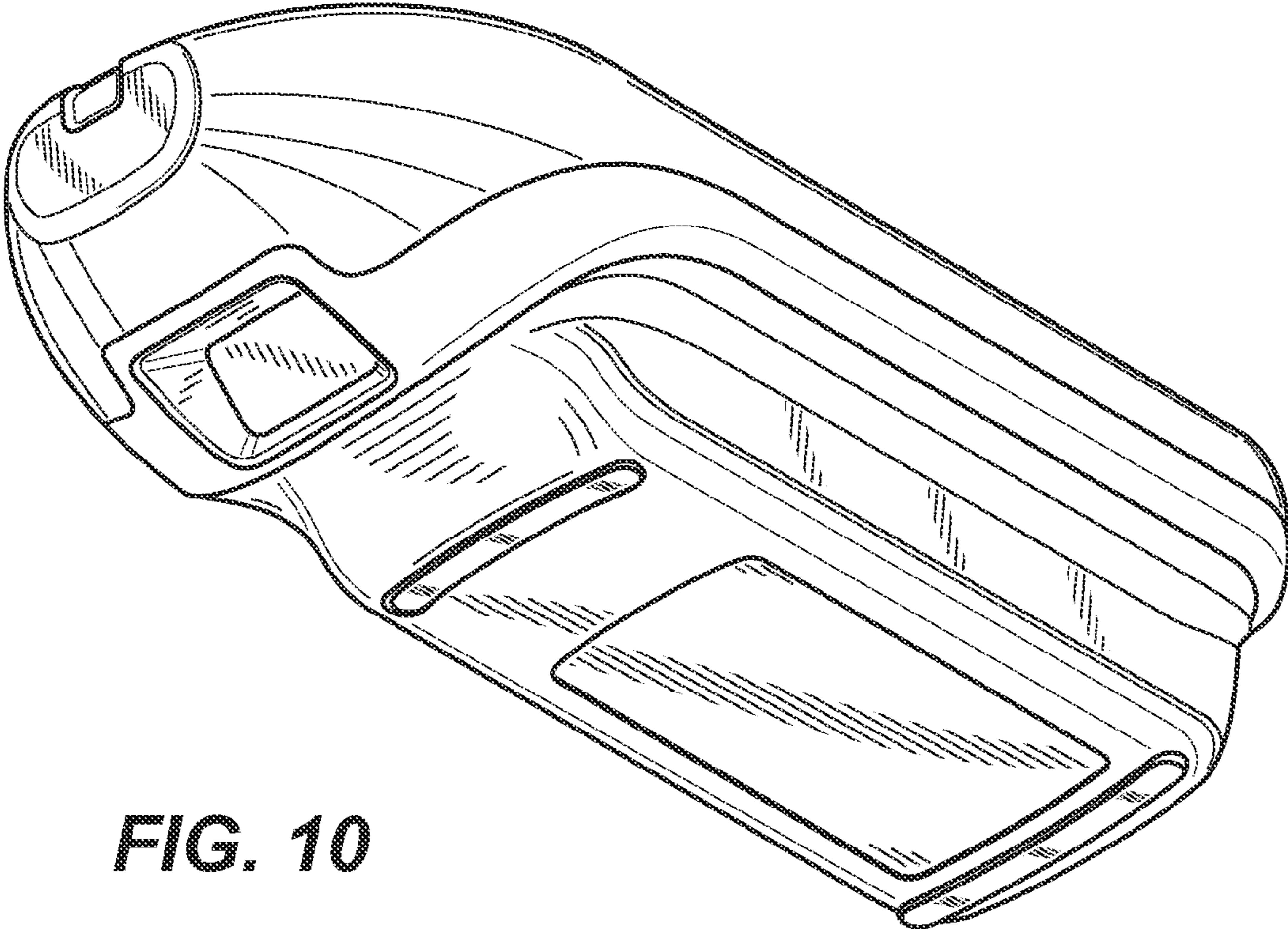
**FIG. 7**



**FIG. 8**



**FIG. 9**



**FIG. 10**