



US00D600348S

(12) **United States Design Patent**  
**Dörre et al.**

(10) **Patent No.:** **US D600,348 S**  
(45) **Date of Patent:** **\*\* Sep. 15, 2009**

(54) **ROBOTIC POSITIONING DEVICE FOR A  
MEDICAL IMAGING UNIT**

(75) Inventors: **Helmut Dörre**, Nürnberg (DE); **Judith  
Regn**, Nürnberg (DE); **Michael  
Richenberger**, Erlangen (DE)

(73) Assignee: **Siemens Aktiengesellschaft**, Munich  
(DE)

(\*\*) Term: **14 Years**

(21) Appl. No.: **29/307,631**

(22) Filed: **May 1, 2008**

(30) **Foreign Application Priority Data**

Nov. 2, 2007 (EM) ..... 000828165

(51) **LOC (9) Cl.** ..... **24-01**

(52) **U.S. Cl.** ..... **D24/158**

(58) **Field of Classification Search** ..... D24/158-161,  
D24/183, 186; 378/4, 15, 17, 19, 20, 21-27,  
378/38-40, 102, 146, 195, 197, 198; 600/409,  
600/410, 425, 476; D15/199

See application file for complete search history.

(56) **References Cited**

**U.S. PATENT DOCUMENTS**

4,797,907 A \* 1/1989 Anderton ..... 378/101  
4,955,046 A \* 9/1990 Siczek et al. .... 378/197

D397,440 S \* 8/1998 Baars ..... D24/158  
6,142,667 A \* 11/2000 Pattee ..... 378/198  
D444,488 S \* 7/2001 Selic et al. .... D15/199  
D449,057 S \* 10/2001 Selic et al. .... D15/199  
7,052,421 B2 \* 5/2006 Simmons ..... 474/101  
2008/0013692 A1 \* 1/2008 Maschke ..... 378/198

\* cited by examiner

*Primary Examiner*—T. Chase Nelson  
*Assistant Examiner*—Anhdao Doan

(57) **CLAIM**

The ornamental design for a robotic positioning device for a medical imaging unit, as shown and described.

**DESCRIPTION**

FIG. 1 is a front view of a robotic positioning device for a medical imaging unit;

FIG. 2 is a rear view thereof;

FIG. 3 is a right side view thereof;

FIG. 4 is a left side view thereof;

FIG. 5 is a top view thereof;

FIG. 6 is a bottom view thereof; and,

FIG. 7 is a perspective view thereof.

The broken lines in the drawing figures are included for the purpose of illustrating portions of the robotic positioning device that form no part of the claimed design.

**1 Claim, 7 Drawing Sheets**

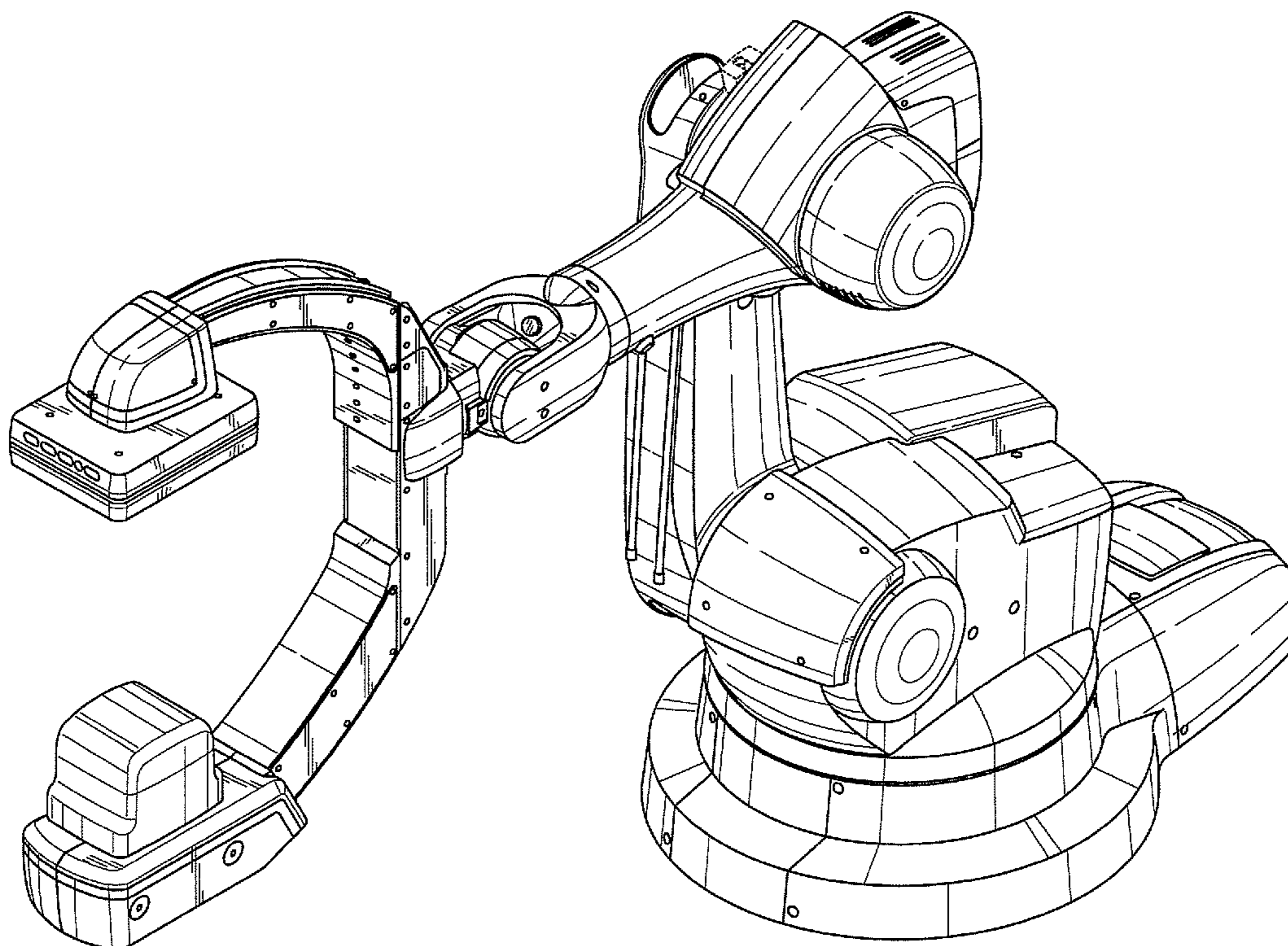


Fig. 1

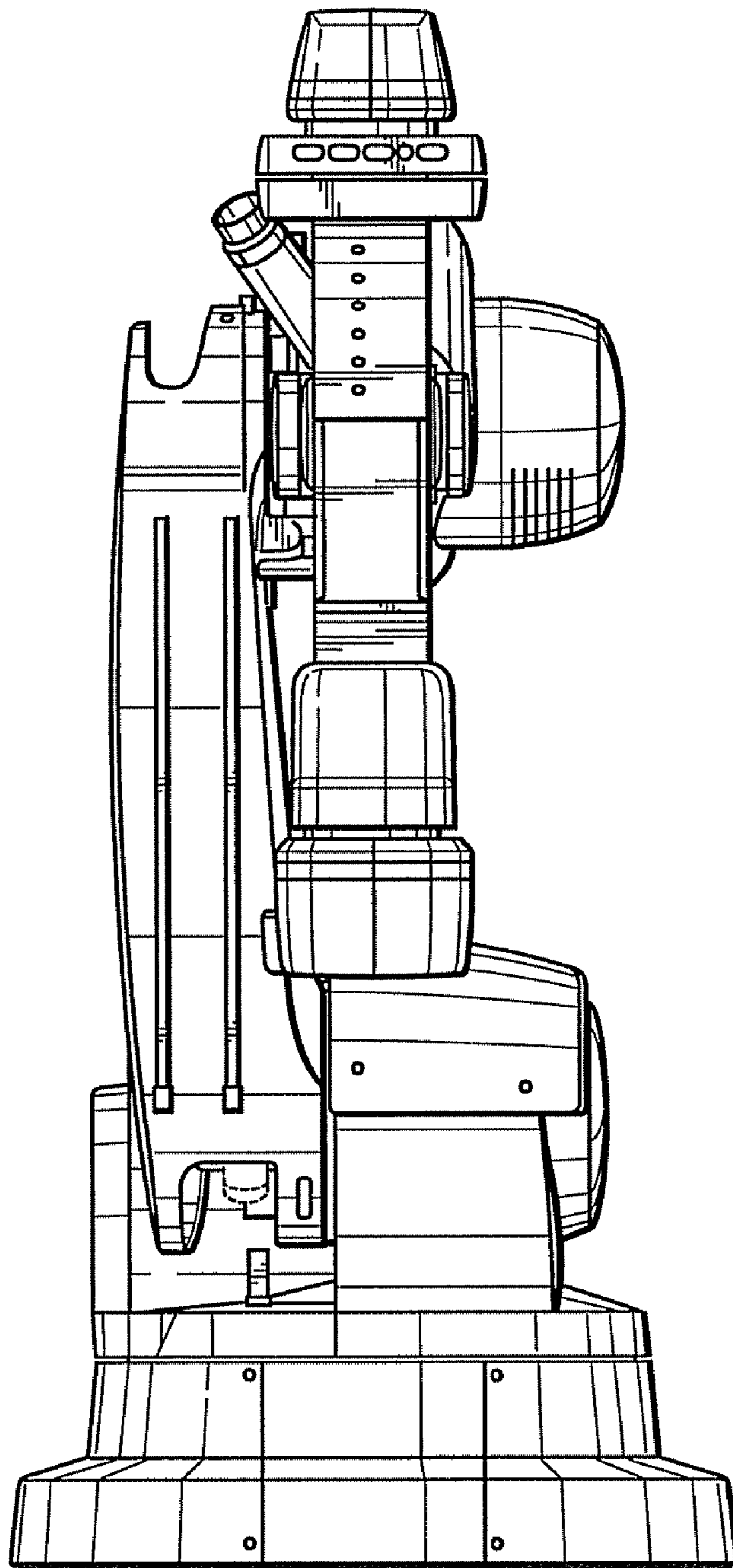


Fig. 2

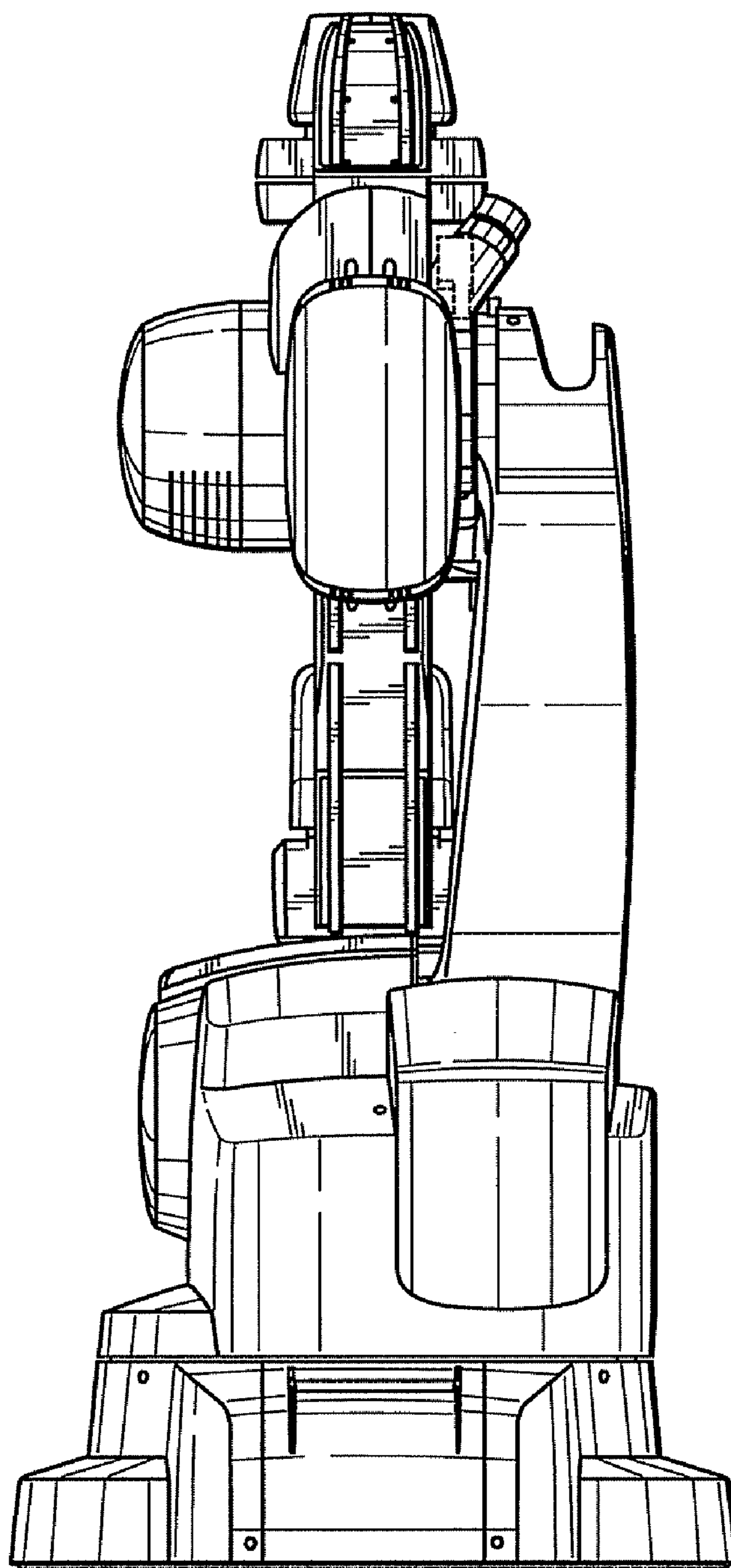
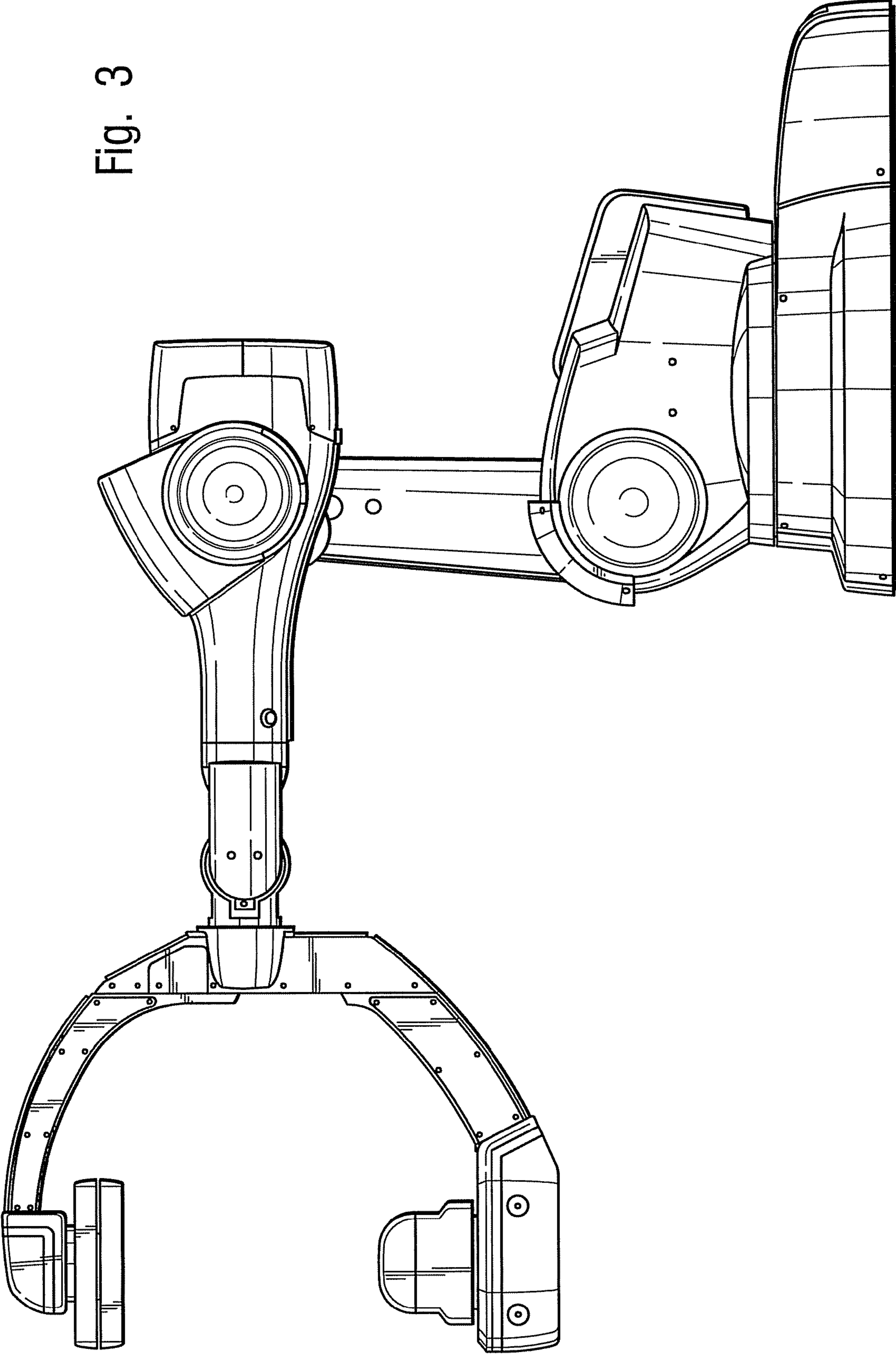




Fig. 3



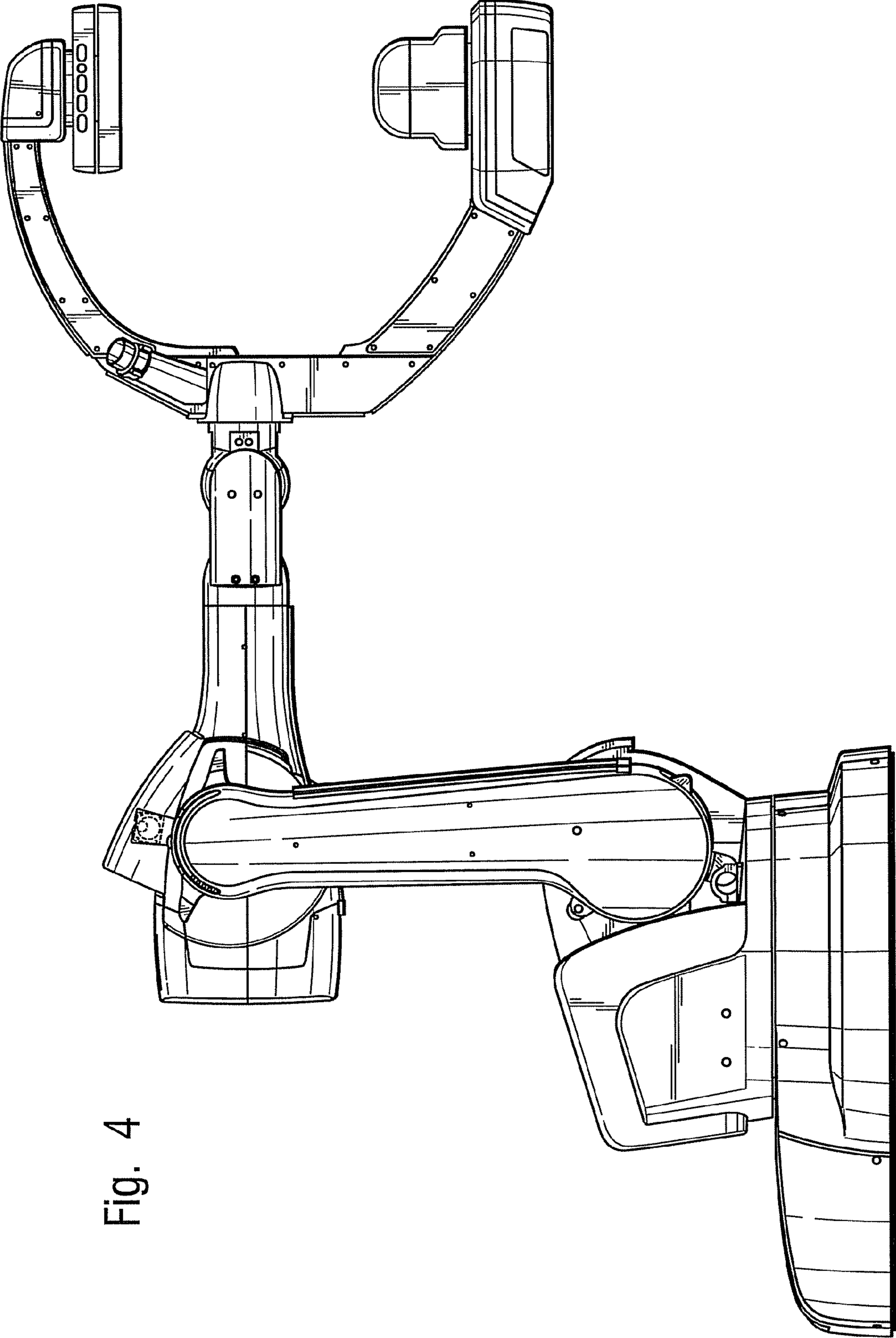


Fig. 4

Fig. 5

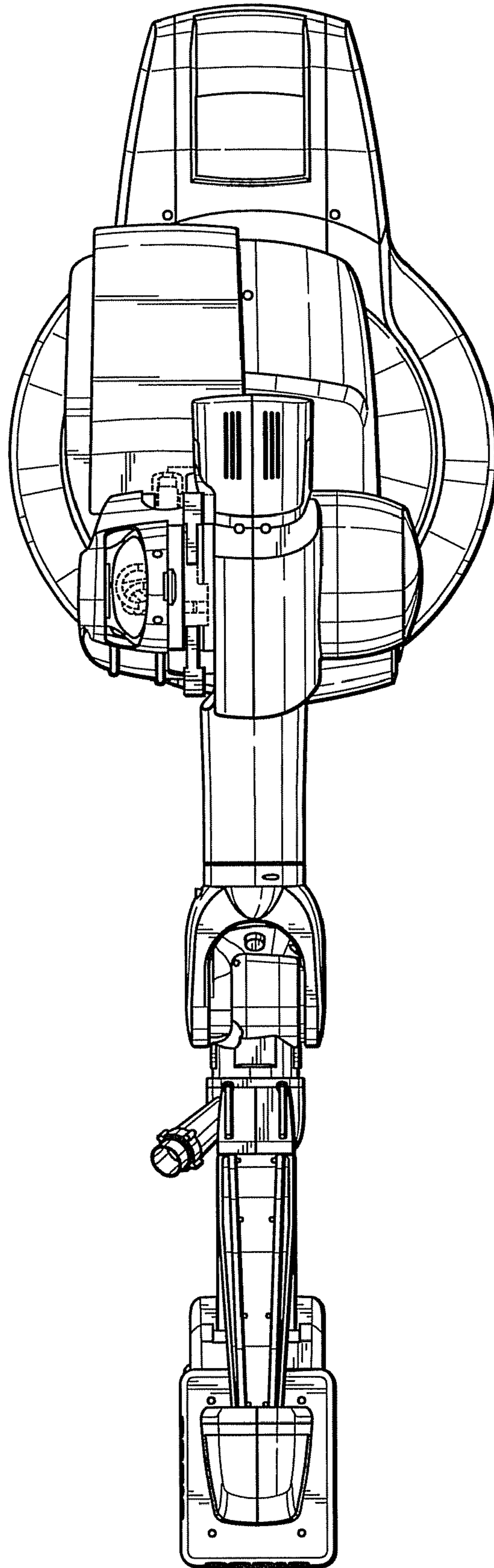


Fig. 6

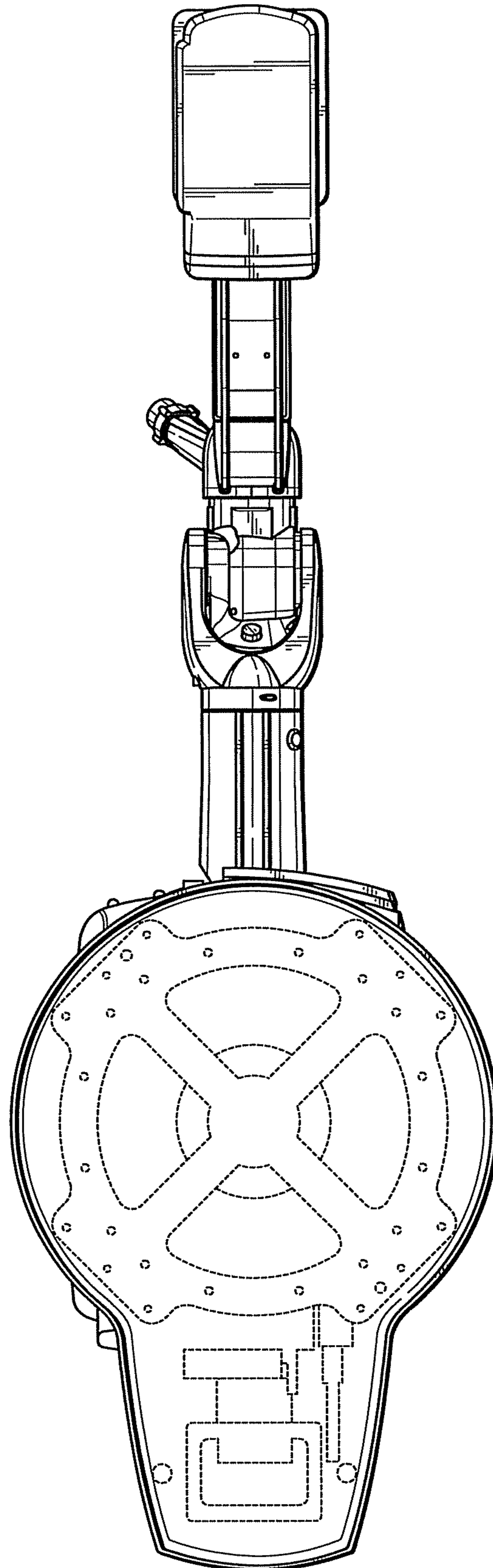




Fig. 7

