



US00D600345S

(12) **United States Design Patent**
Tanaka

(10) **Patent No.:** **US D600,345 S**

(45) **Date of Patent:** **** Sep. 15, 2009**

(54) **CONTROLLER FOR ENDOSCOPE**

(75) Inventor: **Kunihiko Tanaka**, Tokyo (JP)

(73) Assignee: **Fujinon Corporation**, Saitama-shi (JP)

(**) Term: **14 Years**

(21) Appl. No.: **29/309,024**

(22) Filed: **Jun. 12, 2008**

(30) **Foreign Application Priority Data**

Dec. 14, 2007	(JP)	2007-034316
Dec. 14, 2007	(JP)	2007-034317
Dec. 14, 2007	(JP)	2007-034318
Dec. 14, 2007	(JP)	2007-034319
Dec. 14, 2007	(JP)	2007-034320
Dec. 14, 2007	(JP)	2007-034321

(51) **LOC (9) Cl.** **24-02**

(52) **U.S. Cl.** **D24/138**

(58) **Field of Classification Search** D24/138,
D24/107, 144, 186, 170; 600/144, 170, 178,
600/132, 160; D10/46, 78, 81, 103, 122,
D10/124; D12/192; 348/71, 72
See application file for complete search history.

(56) **References Cited**

U.S. PATENT DOCUMENTS

D477,408 S * 7/2003 Bromley D24/170

D532,904	S	*	11/2006	Hayamizu	D24/138
D534,275	S	*	12/2006	Hayamizu	D24/138
D550,357	S	*	9/2007	Hayamizu	D24/138
D552,241	S	*	10/2007	Bromley et al.	D24/170
2005/0267333	A1	*	12/2005	Hino	600/132
2006/0052663	A1	*	3/2006	Koitabashi	600/132
2008/0242936	A1	*	10/2008	Hino	600/178

* cited by examiner

Primary Examiner—Ian Simmons

Assistant Examiner—Christopher Lee

(74) *Attorney, Agent, or Firm*—Birch, Stewart, Kolasch & Birch, LLP

(57) **CLAIM**

The ornamental design for a controller for endoscope, as shown and described.

DESCRIPTION

FIG. 1 is a top, front and side perspective view of a controller for endoscope showing a first embodiment of my new design;

FIG. 2 is a front elevational view thereof;

FIG. 3 is a top plan view thereof;

FIG. 4 is a left side elevational view thereof; and,

FIG. 5 is a right side elevational view thereof.

The portions of the controller for endoscope in broken lines are shown for illustrative purposes only and form no part of the claimed design.

1 Claim, 3 Drawing Sheets

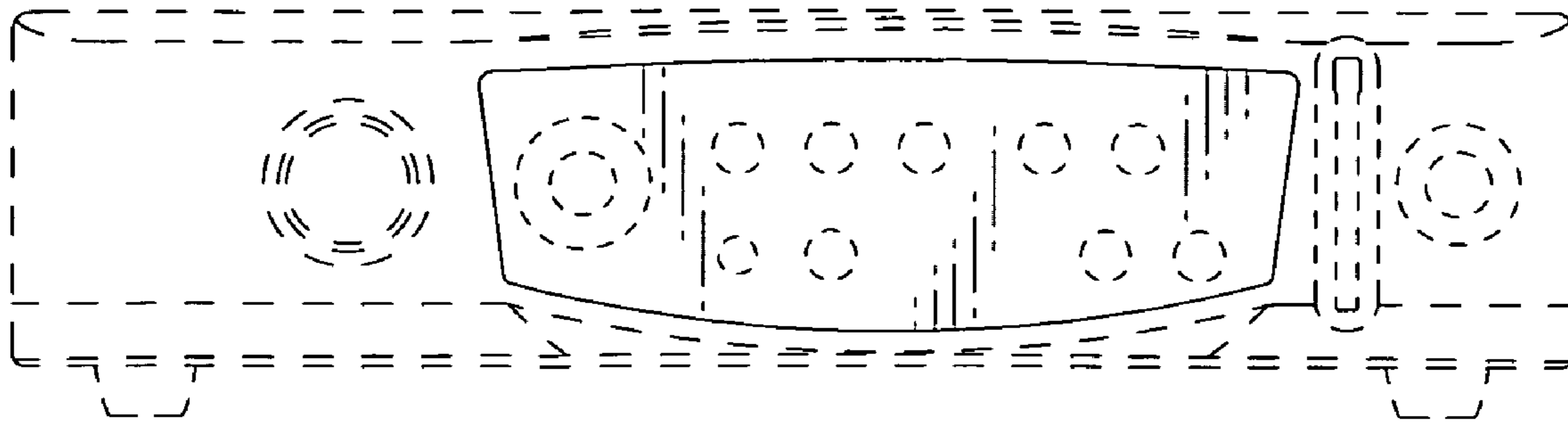


FIG. 1

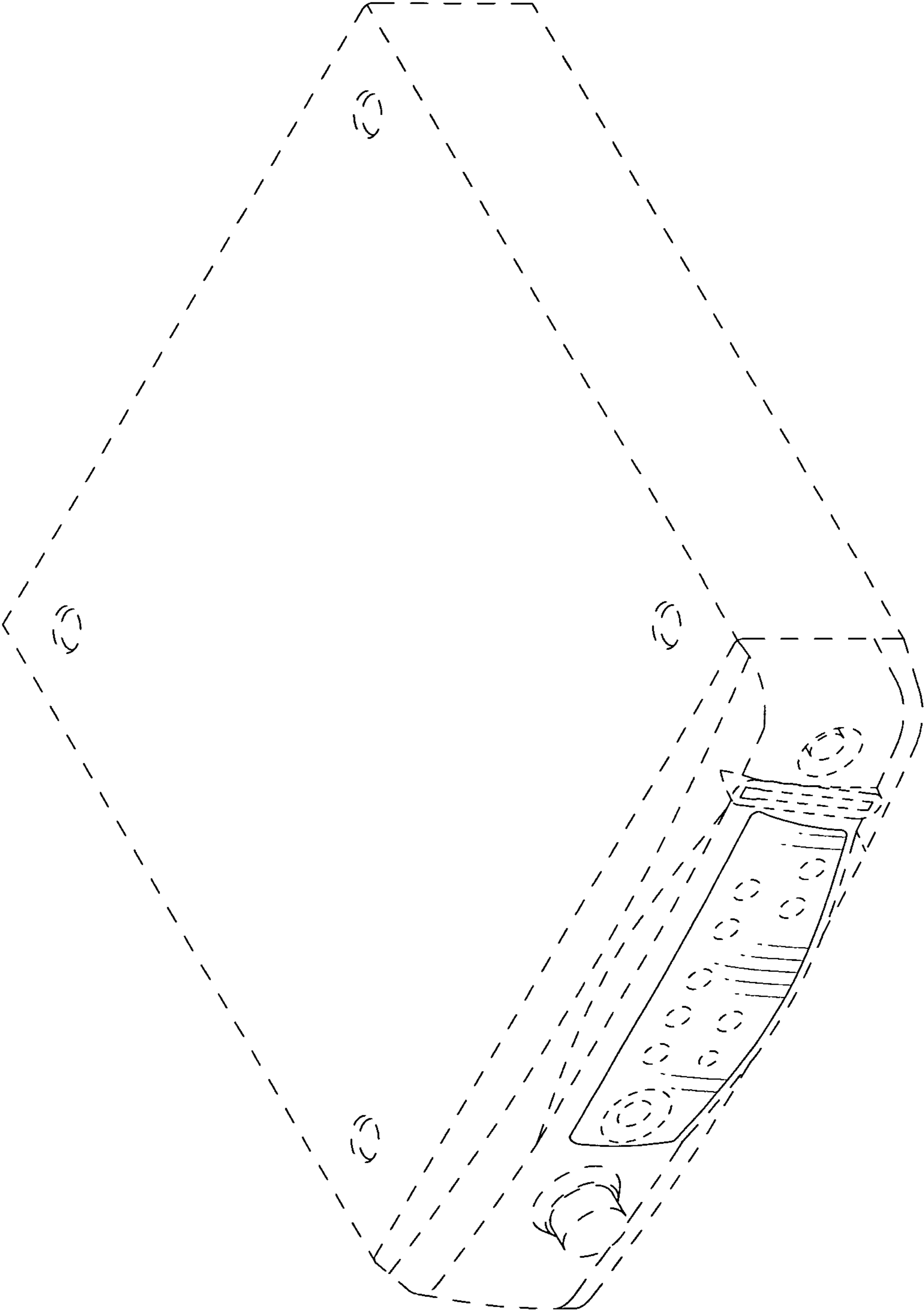


FIG.2

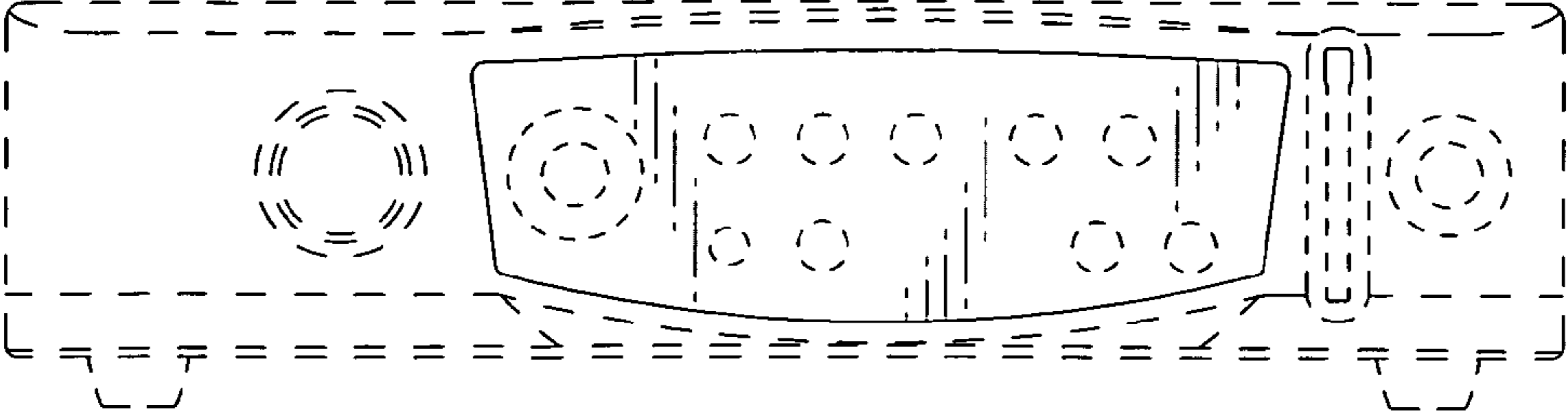


FIG.3

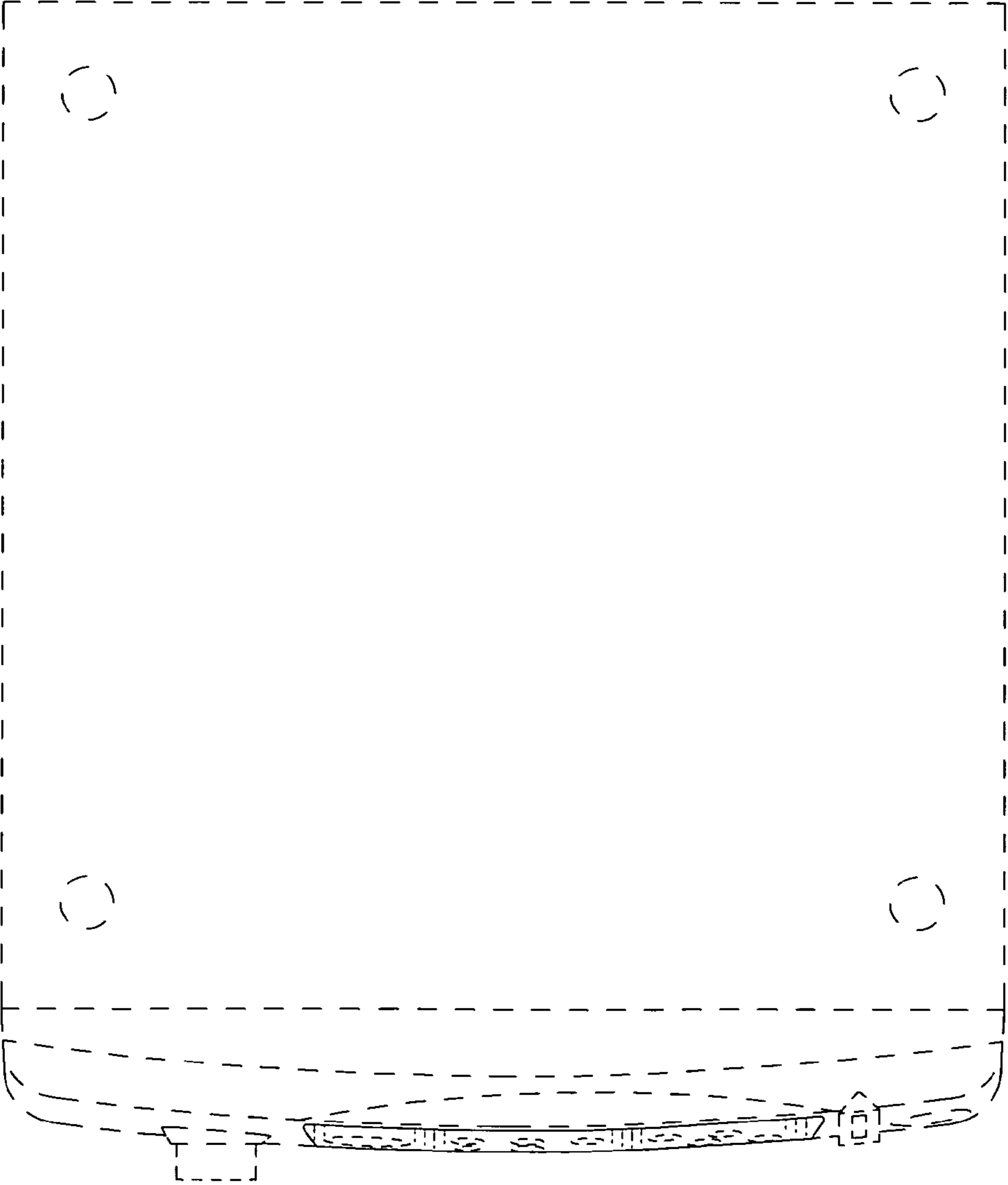


FIG.4



FIG.5

