



US00D600343S

(12) **United States Design Patent**
Degabriele et al.

(10) **Patent No.:** **US D600,343 S**

(45) **Date of Patent:** **** Sep. 15, 2009**

(54) **ELBOW FOR RESPIRATORY MASK**

D578,206 S * 10/2008 Hitchcock et al. D24/110.1
D579,105 S * 10/2008 Jones et al. D24/110.1

(75) Inventors: **Joseph Degabriele**, Cherrybrook (AU);
Shiva Kumar Shanmuga Sundara,
Toongabbie (AU); **James William**
Charles Vandyke, Belrose (AU);
Michael John Reid, Stanmore (AU)

* cited by examiner

Primary Examiner—Ian Simmons
Assistant Examiner—Christopher Lee

(74) *Attorney, Agent, or Firm*—Nixon & Vanderhuy P.C.

(73) Assignee: **ResMed Limited**, Bella Vista (AU)

(**) Term: **14 Years**

(57) **CLAIM**

(21) Appl. No.: **29/309,826**

The ornamental design for an elbow for respiratory mask, as shown.

(22) Filed: **Oct. 22, 2008**

DESCRIPTION

(51) **LOC (9) Cl.** **29-02**

(52) **U.S. Cl.** **D24/110.1**; D24/110.4;
D24/110.5

(58) **Field of Classification Search** D24/110.1,
D24/110.4, 110.5; 128/207.13, 207.11, 205.25,
128/207.12, 206.21, 206.27, 206.26, 207.17,
128/204.18

See application file for complete search history.

FIG. 1 is a front perspective view of an elbow for respiratory mask according to our design;

FIG. 2 is a reverse perspective view thereof;

FIG. 3 is a front view thereof;

FIG. 4 is a rear view thereof;

FIG. 5 is a top view thereof;

FIG. 6 is a bottom view thereof; and,

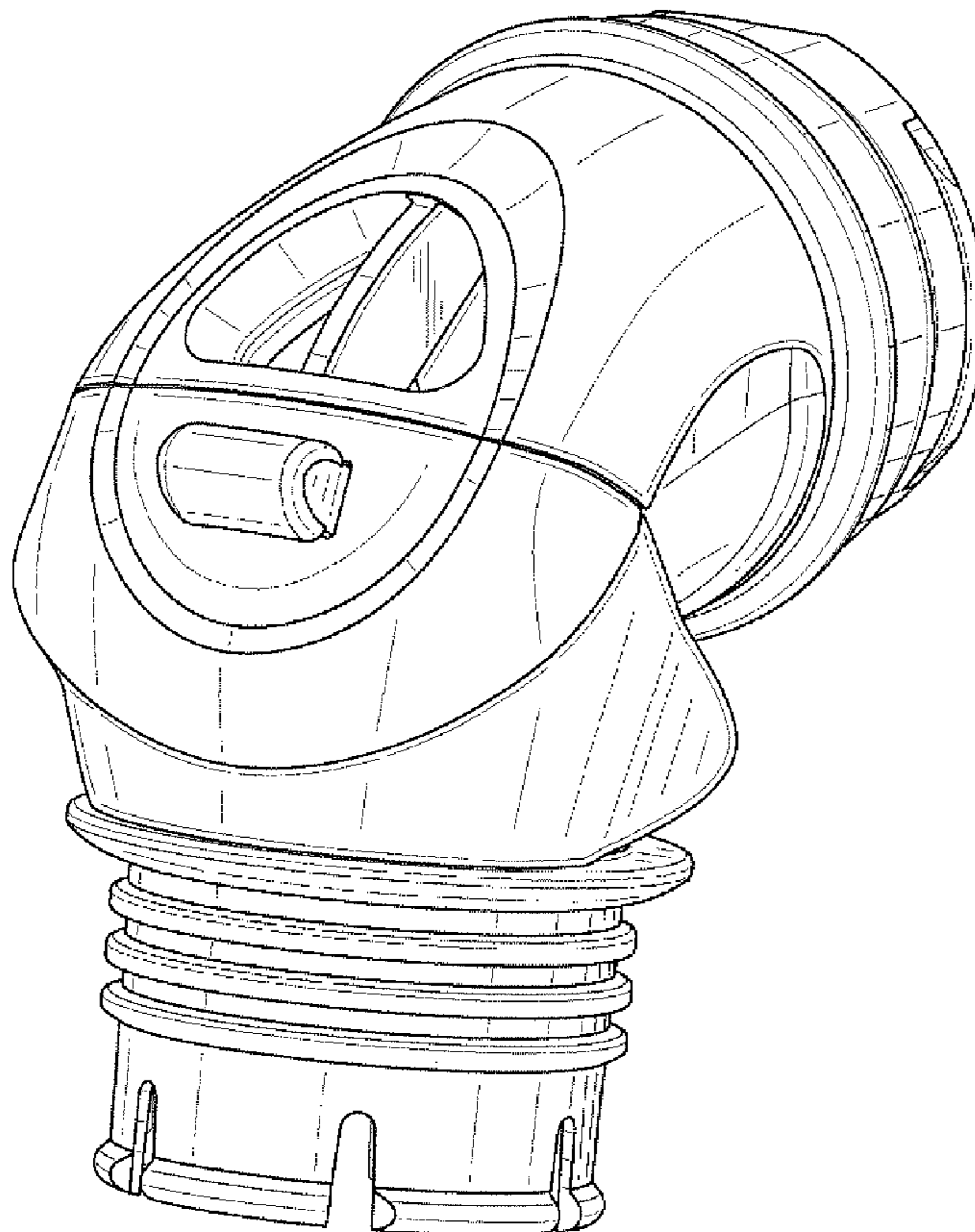
FIG. 7 is a right side view thereof with the left side view thereof being a mirror image thereof.

(56) **References Cited**

U.S. PATENT DOCUMENTS

D519,206 S * 4/2006 Jones et al. D24/110.1
D558,334 S * 12/2007 Stallard et al. D24/110.1

1 Claim, 7 Drawing Sheets



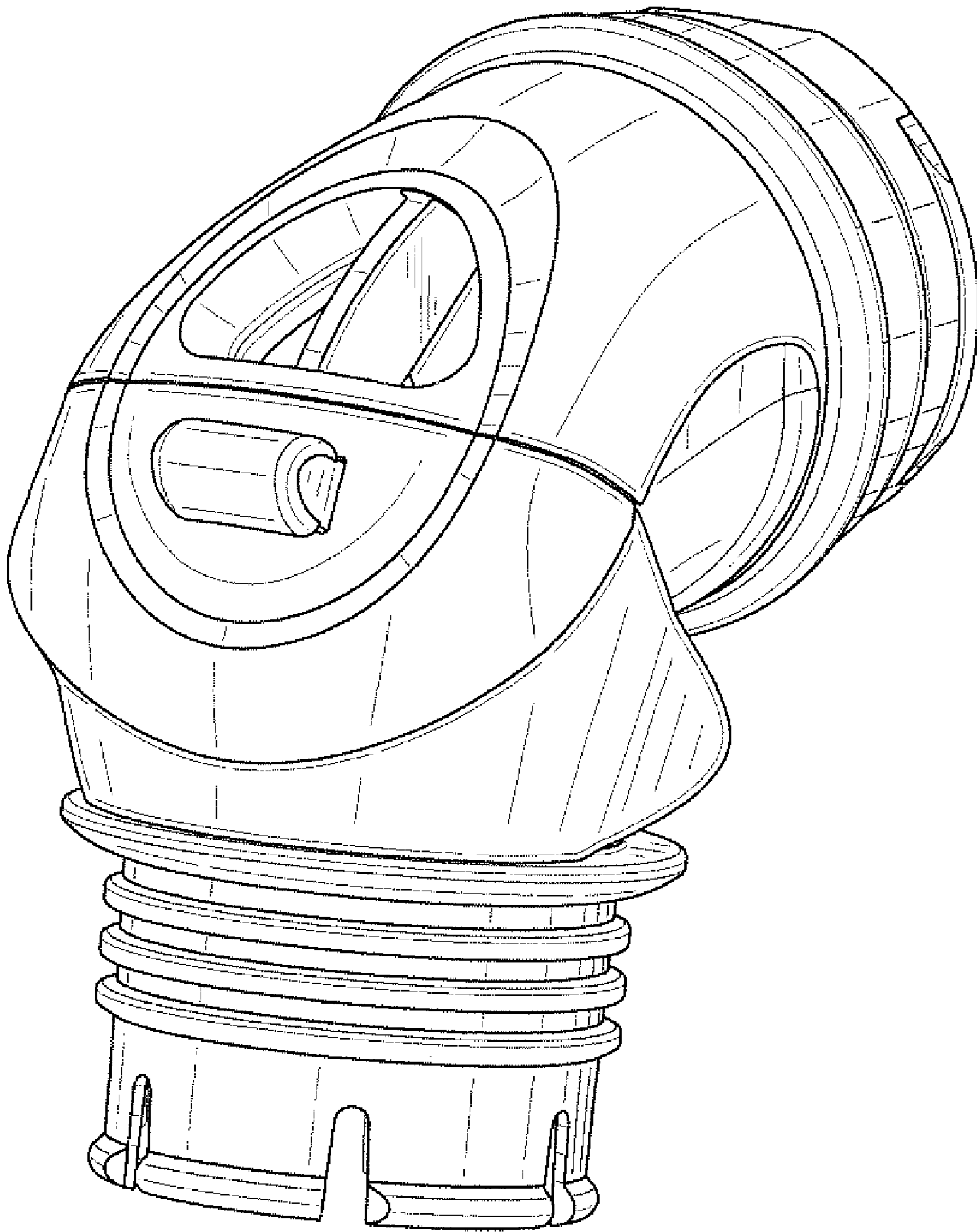


Fig. 1

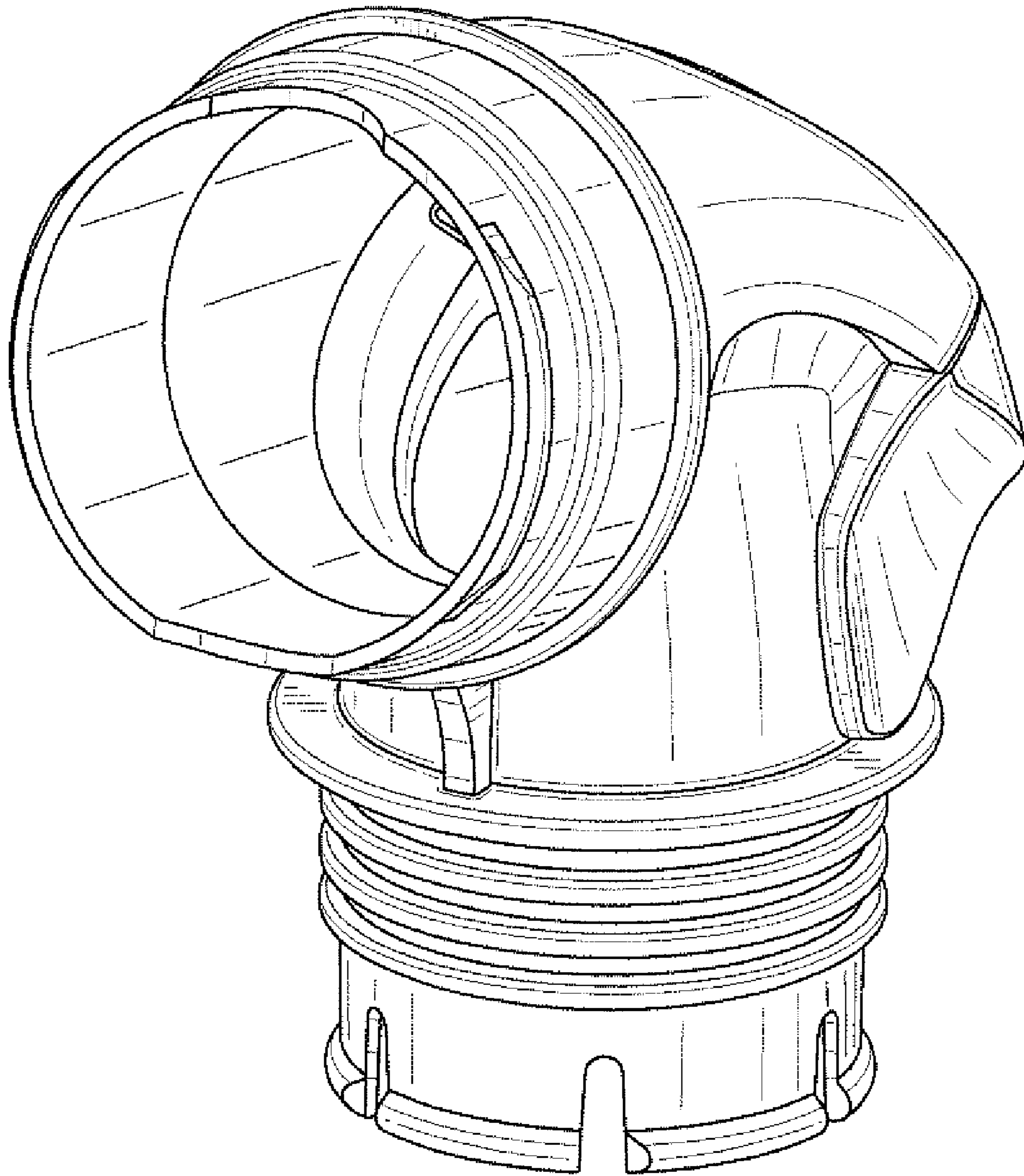


Fig. 2

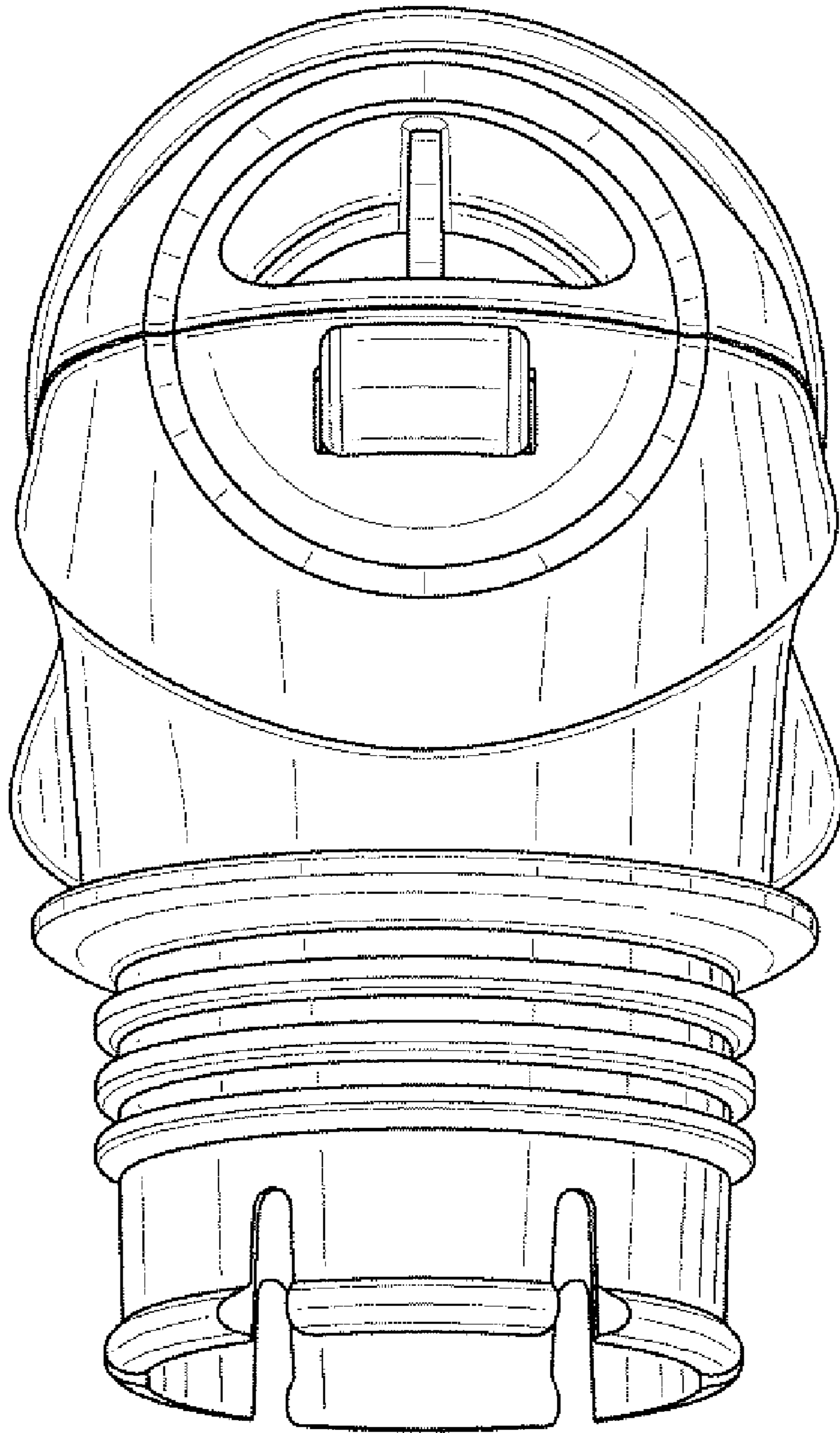


Fig. 3

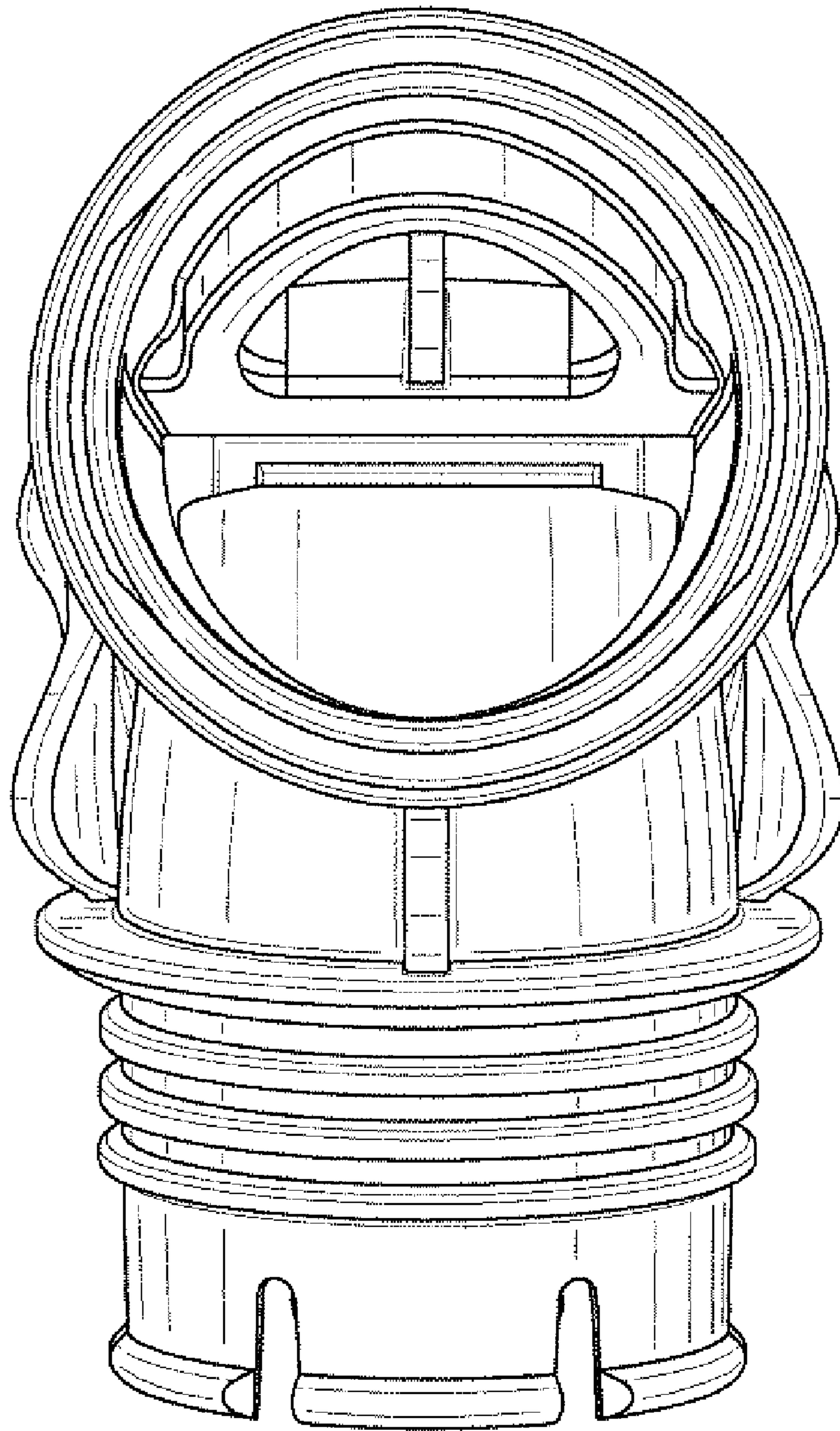


Fig. 4

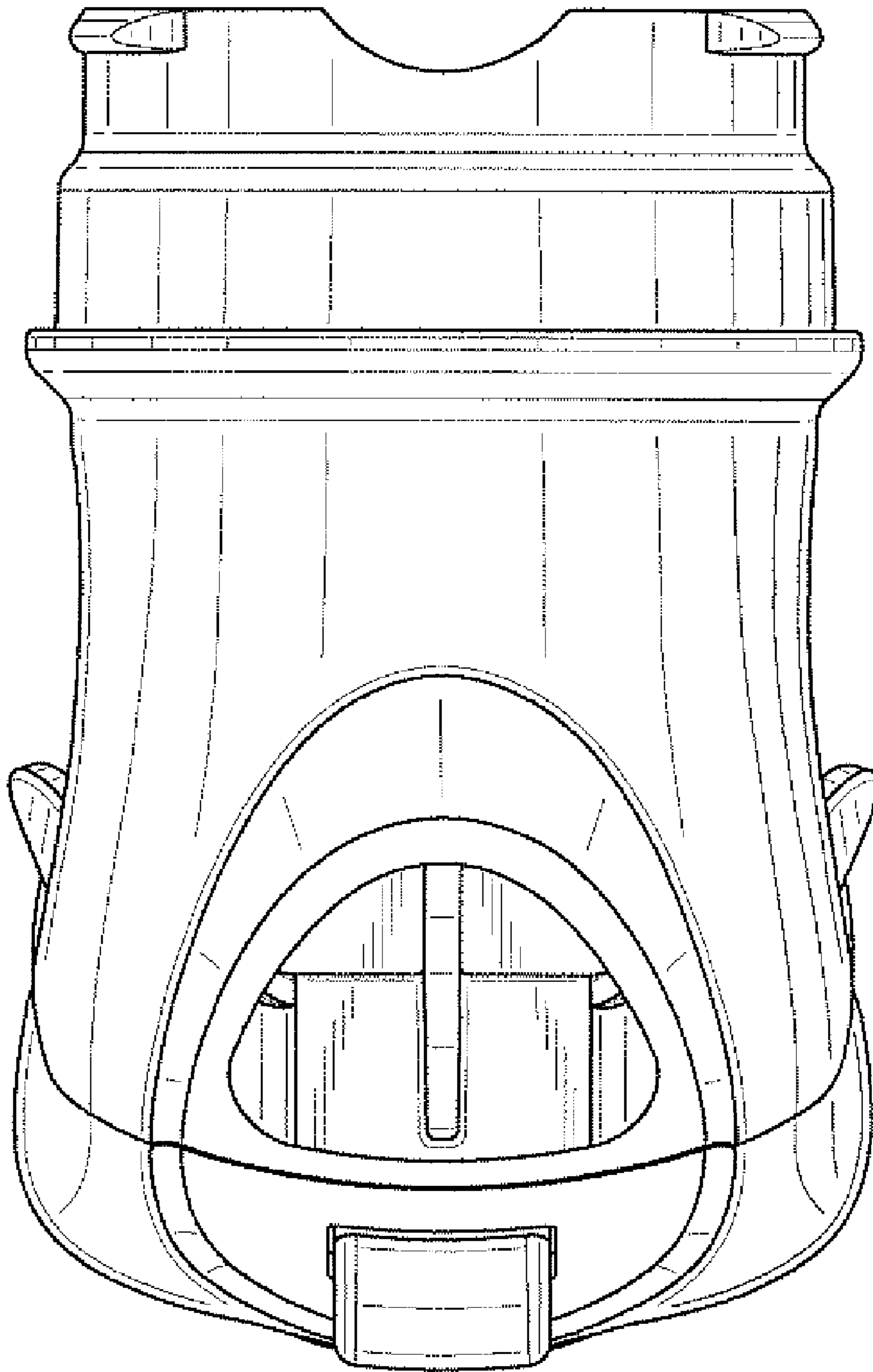


Fig. 5

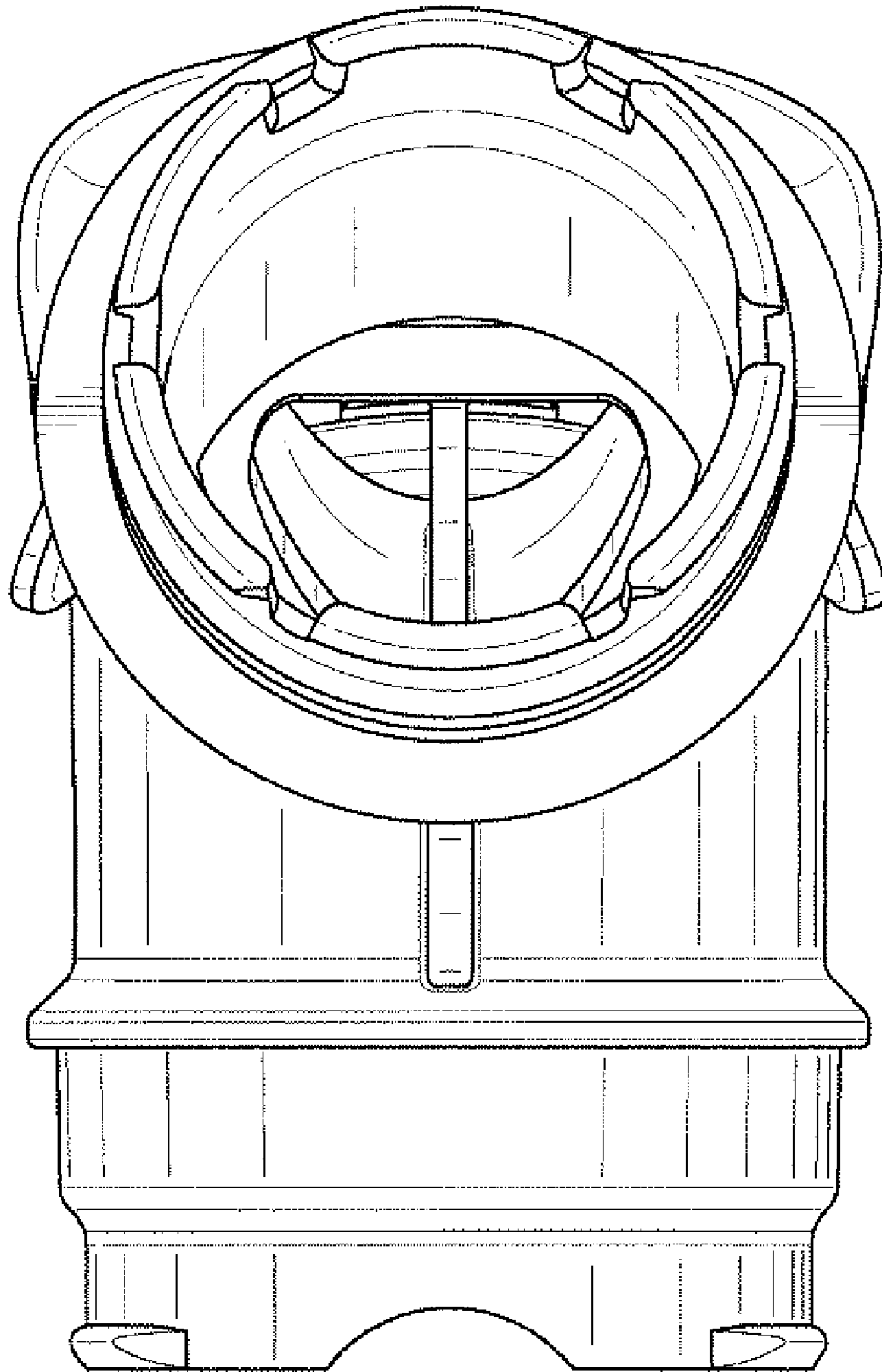


Fig. 6

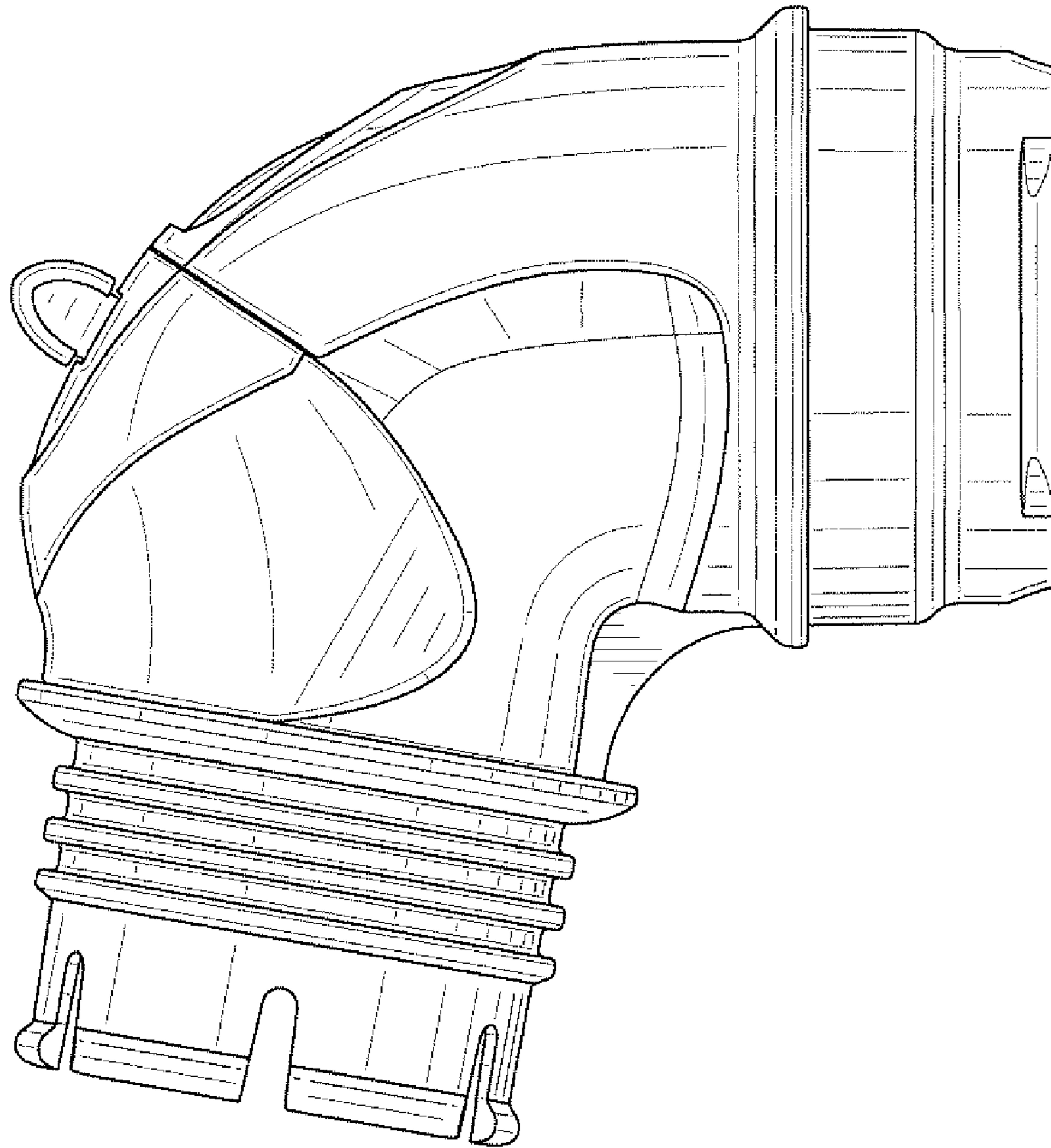


Fig. 7