



US00D600339S

(12) **United States Design Patent**
Searle

(10) **Patent No.:** **US D600,339 S**

(45) **Date of Patent:** **** Sep. 15, 2009**

(54) **CEILING FAN**

(75) Inventor: **Scott Searle**, Maui, HI (US)

(73) Assignee: **Air Cool Industrial Co., Ltd.**, Taichung (TW)

(**) Term: **14 Years**

(21) Appl. No.: **29/332,222**

(22) Filed: **Feb. 11, 2009**

(51) **LOC (9) Cl.** **23-04**

(52) **U.S. Cl.** **D23/377**

(58) **Field of Classification Search** D23/377,
D23/379, 385, 411, 413; 416/5; D26/51,
D26/72, 81-86, 88

See application file for complete search history.

(56) **References Cited**

U.S. PATENT DOCUMENTS

D102,906 S	1/1937	Lescaze
D287,518 S	12/1986	Ohno
D294,604 S	3/1988	Shibukawa
D346,210 S	4/1994	Holbrook
D359,553 S	6/1995	Hsi
5,458,464 A	10/1995	Lee
D367,321 S	2/1996	Holbrook
D369,405 S	4/1996	Holbrook
5,508,484 A	4/1996	Chen
D376,004 S	11/1996	Tsuji
D376,421 S	12/1996	Jaspers-Fayer
D383,529 S	9/1997	Tsuji
D388,870 S	1/1998	Holbrook
D396,530 S	7/1998	Tai
D401,322 S	11/1998	Liu
D404,808 S	1/1999	Tai

D404,809 S	1/1999	Tai
D405,878 S	2/1999	Tai
D408,073 S	4/1999	Tai
D408,074 S	4/1999	Tai
D408,516 S	4/1999	Tai
D409,297 S	5/1999	Tai
5,944,487 A	8/1999	Pearce
D414,860 S	10/1999	Thomas
D415,303 S	10/1999	Lin
D417,494 S	12/1999	Evans
D417,499 S	12/1999	Zuege

(Continued)

Primary Examiner—Lisa P Lichtenstein

(74) *Attorney, Agent, or Firm*—Morrison & Foerster LLP

(57) **CLAIM**

The ornamental design for a ceiling fan, as shown and described.

DESCRIPTION

FIG. 1 is a perspective view of a ceiling fan in accordance with the present invention;

FIG. 2 is a bottom view of the ceiling fan in accordance with the present invention;

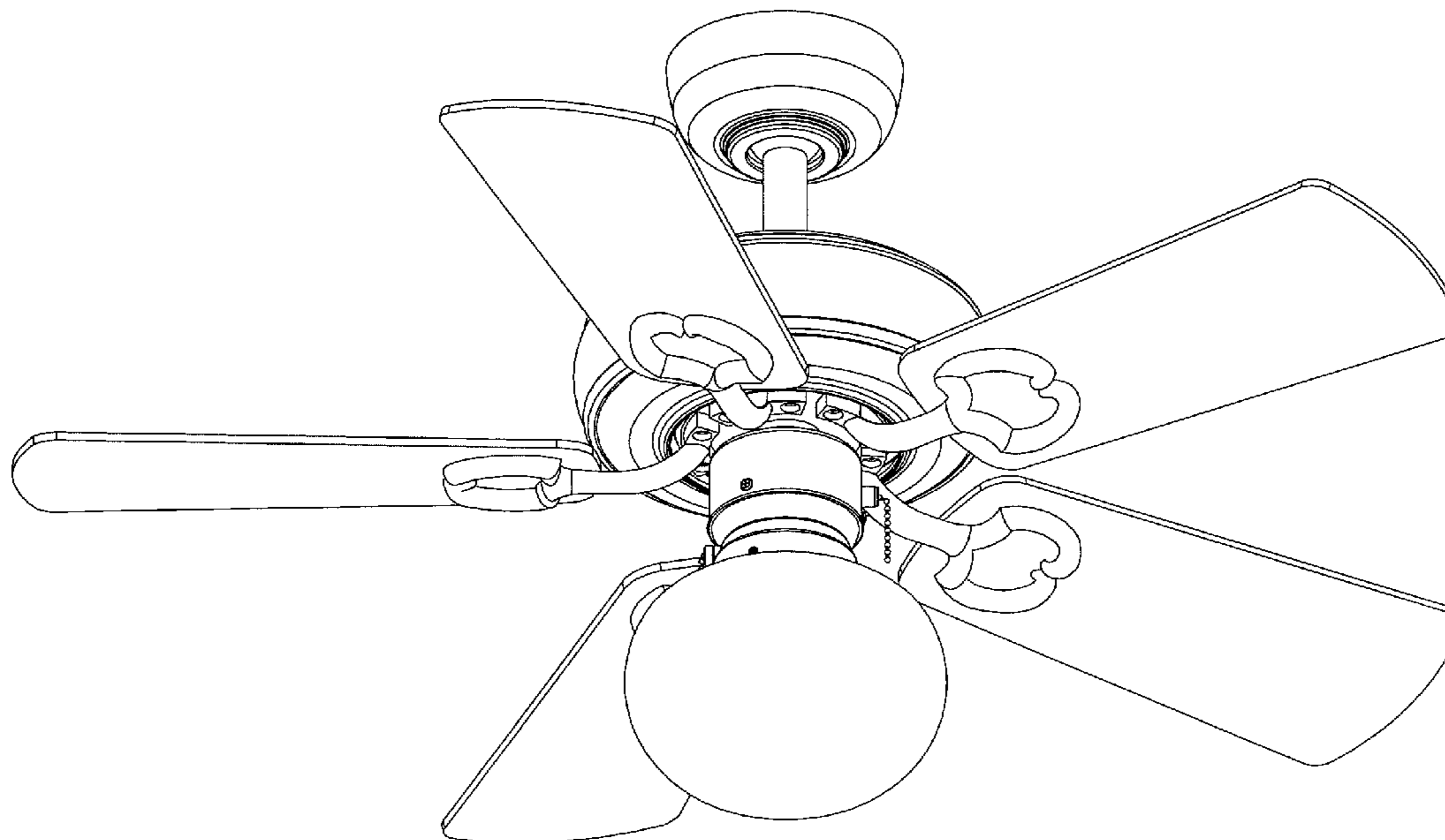
FIG. 3 is a side view of the ceiling fan in accordance with the present invention;

FIG. 4 is another side view of the ceiling fan in accordance with the present invention; and,

FIG. 5 is another perspective view of the ceiling fan in accordance with the present invention.

The broken line showing of portions of a ceiling fan is included for the purpose of illustrating environmental structure and forms no part of the claimed design.

1 Claim, 5 Drawing Sheets



US D600,339 S

Page 2

U.S. PATENT DOCUMENTS

6,059,531 A	5/2000	Tai	D510,999 S	10/2005	Thomas	
6,135,618 A	10/2000	Tai	D512,498 S	* 12/2005	Hidalgo	D23/377
D435,643 S	12/2000	Williams	D515,199 S	2/2006	Hidalgo	
D441,442 S	5/2001	Williams	D516,704 S	3/2006	Pickett	
6,259,025 B1	7/2001	Tai	D517,201 S	3/2006	Gajewski	
D451,993 S	12/2001	Hsieh	D518,567 S	4/2006	Hidalgo	
6,379,116 B1	4/2002	Tai	D518,887 S	4/2006	Tai	
D457,619 S	5/2002	Hsieh	D520,630 S	5/2006	Pickett	
D457,947 S	5/2002	Tai	D525,355 S	* 7/2006	Hidalgo	D23/411
6,392,146 B1	5/2002	Tai	D525,700 S	7/2006	Ertze	
D458,675 S	6/2002	Tai	D525,701 S	7/2006	Glasbrenner	
D460,208 S	7/2002	Dolan	D526,714 S	8/2006	Hidalgo	
D476,410 S	6/2003	Young	D527,090 S	8/2006	Pan	
D478,381 S	8/2003	Tai	D527,454 S	8/2006	Hidalgo	
D479,872 S	9/2003	Young	D530,811 S	10/2006	Ertze	
D480,797 S	10/2003	Young	D531,298 S	10/2006	Hidalgo	
D480,800 S	10/2003	Stauffer	D531,305 S	10/2006	Glasbrenner	
D481,455 S	10/2003	Young	D531,307 S	10/2006	Shurtleff	
D483,463 S	12/2003	Tai	D531,722 S	11/2006	Ertze	
D483,464 S	12/2003	Tai	D532,901 S	11/2006	Ertze	
D483,465 S	12/2003	Tai	D533,267 S	12/2006	Pan	
D483,847 S	12/2003	Tai	D535,385 S	1/2007	Pickett	
D483,848 S	12/2003	Tai	D536,466 S	2/2007	Pan	
D483,849 S	12/2003	Tai	D539,896 S	4/2007	Pan	
D483,850 S	12/2003	Tai	D540,460 S	4/2007	Pickett	
D484,269 S	12/2003	Hsu	D541,409 S	4/2007	Ertze	
D484,588 S	12/2003	Tai	D541,410 S	4/2007	Ertze	
D484,969 S	1/2004	Tai	D543,268 S	5/2007	Ertze	
D485,344 S	1/2004	Tai	D543,302 S	5/2007	Ertze	
D485,609 S	1/2004	Tai	D545,422 S	6/2007	Glasbrenner	
D485,611 S	1/2004	Tai	D546,439 S	7/2007	Glasbrenner	
D485,897 S	1/2004	Tai	D546,936 S	7/2007	Ertze	
D486,215 S	2/2004	Hsieh	D547,433 S	7/2007	Wang	
D487,506 S	3/2004	Burns	D547,435 S	7/2007	Lee	
D489,445 S	5/2004	Burns	D547,857 S	7/2007	Lee	
D489,471 S	5/2004	Huang	D551,755 S	9/2007	Shurtleff	
D490,888 S	6/2004	Tai	D552,777 S	10/2007	Pan	
D494,705 S	8/2004	Tai	D554,250 S	10/2007	Shurtleff	
D501,578 S	2/2005	Tai	D554,251 S	10/2007	Shurtleff	
D503,472 S	3/2005	Tai	D558,328 S	12/2007	Badarello	
D503,473 S	3/2005	Tai	D559,971 S	1/2008	Frampton	
D503,474 S	3/2005	Tai	D561,328 S	2/2008	Hidalgo	
D503,475 S	3/2005	Tai	D564,651 S	3/2008	Pan	
D503,476 S	3/2005	Tai	D564,652 S	3/2008	Pan	
D503,795 S	4/2005	Tai	D565,221 S	3/2008	Pan	
D504,173 S	4/2005	Cohen	D566,258 S	* 4/2008	Bucher et al.	D23/377
D504,362 S	4/2005	Thompson	D569,964 S	5/2008	Ertze	
D504,502 S	4/2005	Young	D570,022 S	5/2008	Ertze	
D505,197 S	5/2005	Tai	D571,452 S	6/2008	Ertze	
D505,724 S	5/2005	Tai	D573,242 S	7/2008	Pan	
D507,644 S	7/2005	Tai	D573,243 S	7/2008	Pan	
D507,830 S	7/2005	Pan	D573,245 S	7/2008	Pan	
D510,428 S	10/2005	Hidalgo	D573,737 S	7/2008	Lee	
D510,623 S	10/2005	Tai	D578,636 S	10/2008	Pan	
D510,624 S	10/2005	Graham	D580,044 S	11/2008	Ertze	

* cited by examiner

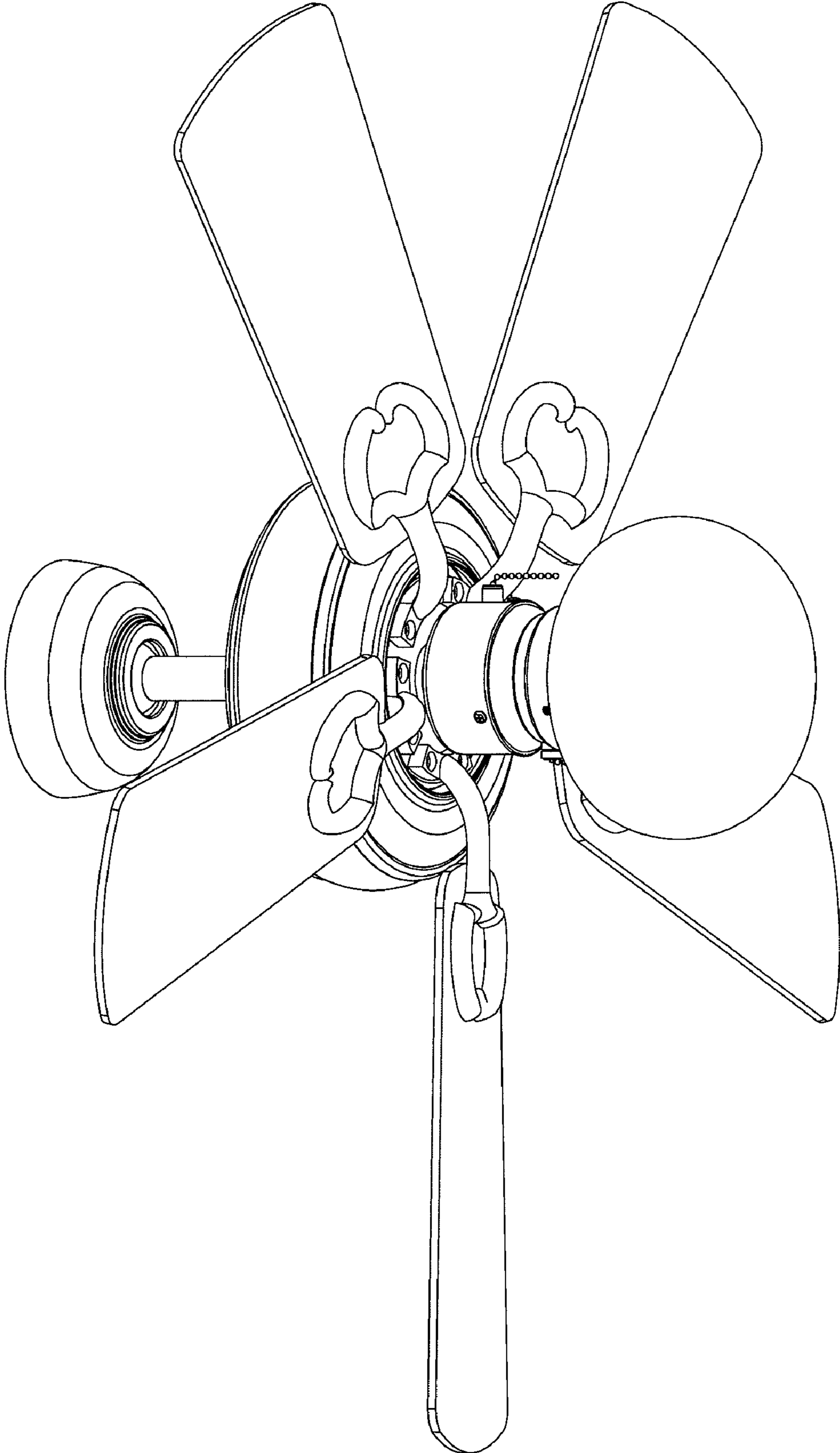


FIG. 1

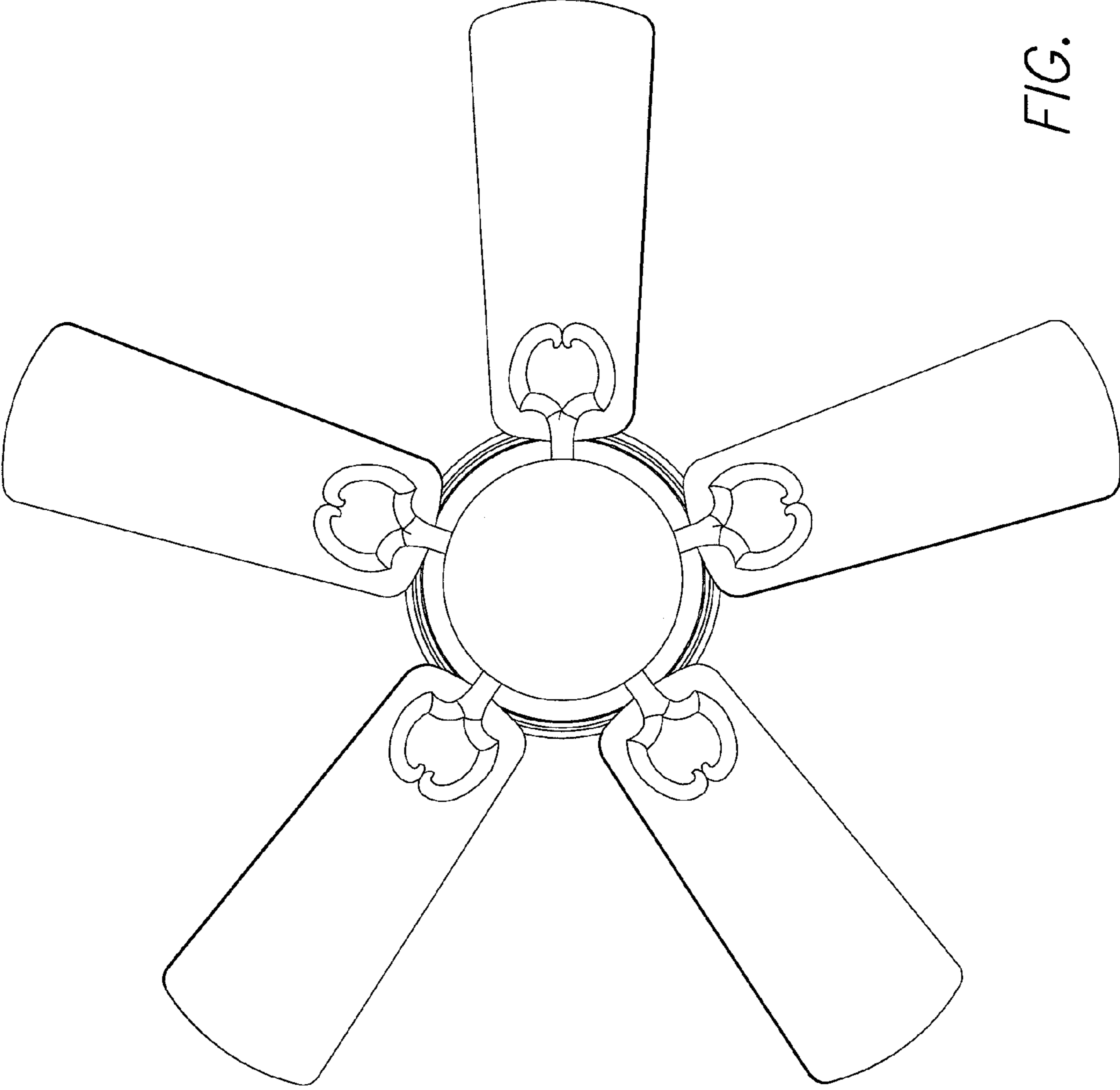


FIG. 2

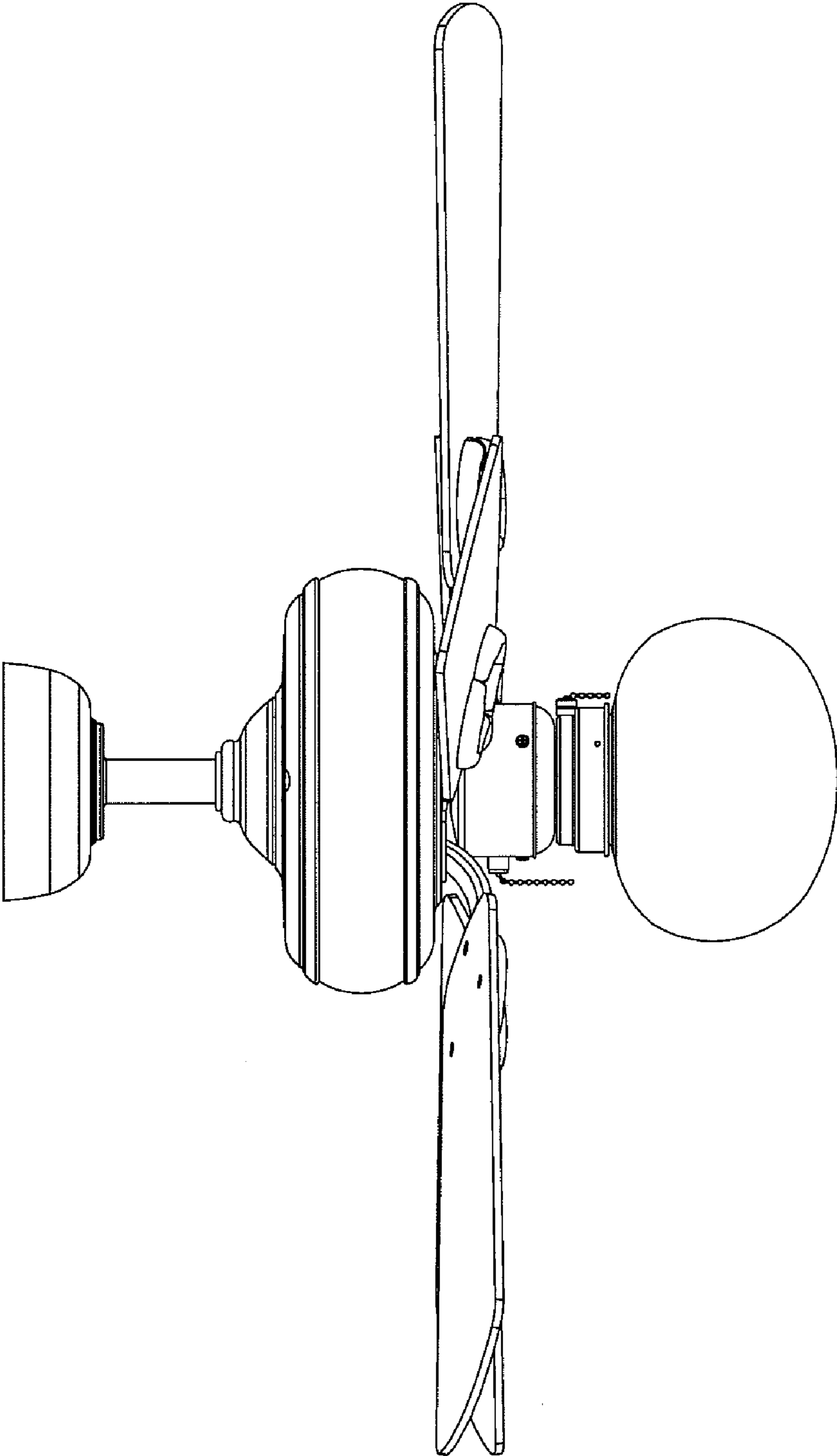


FIG. 3

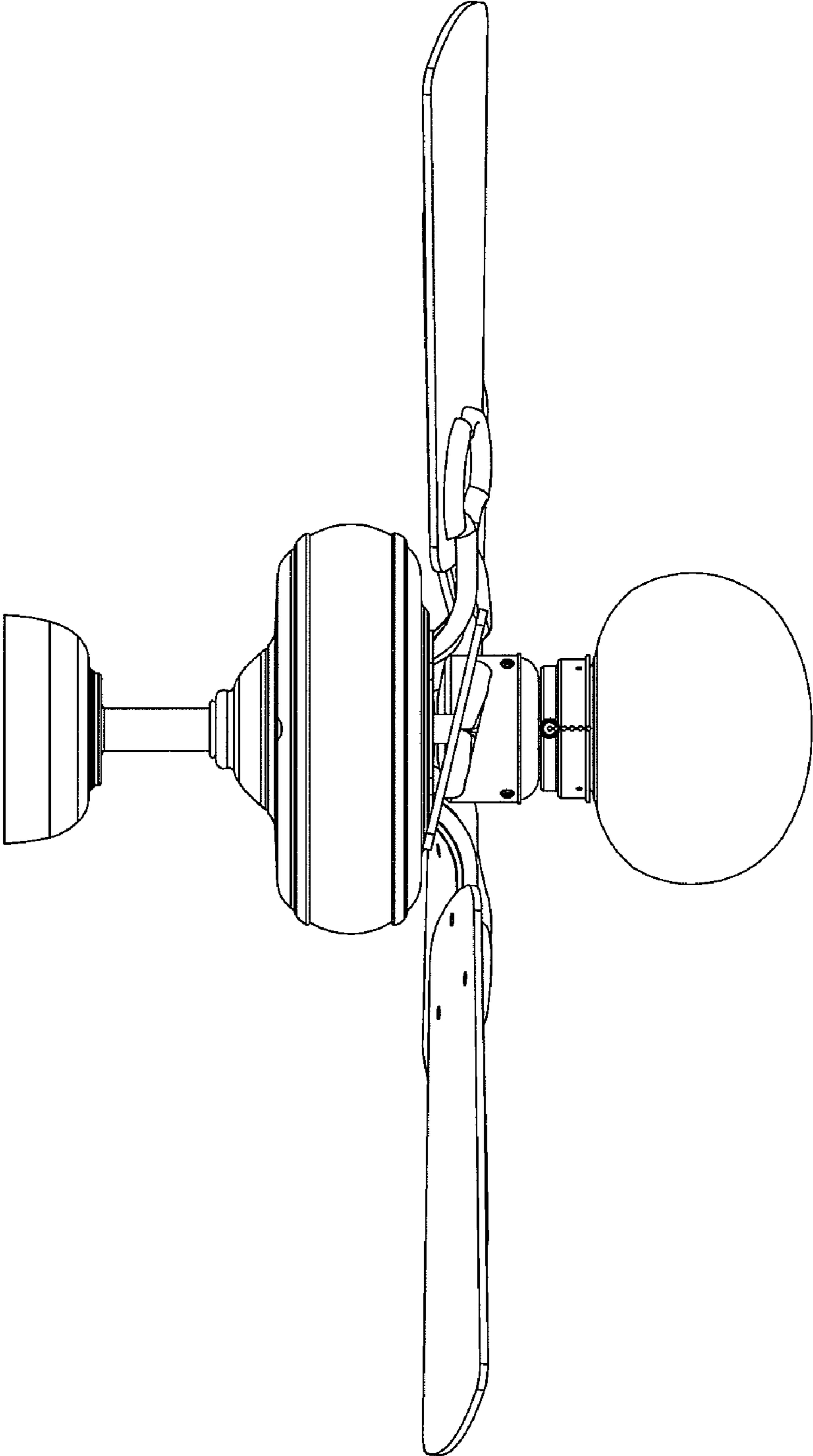


FIG. 4

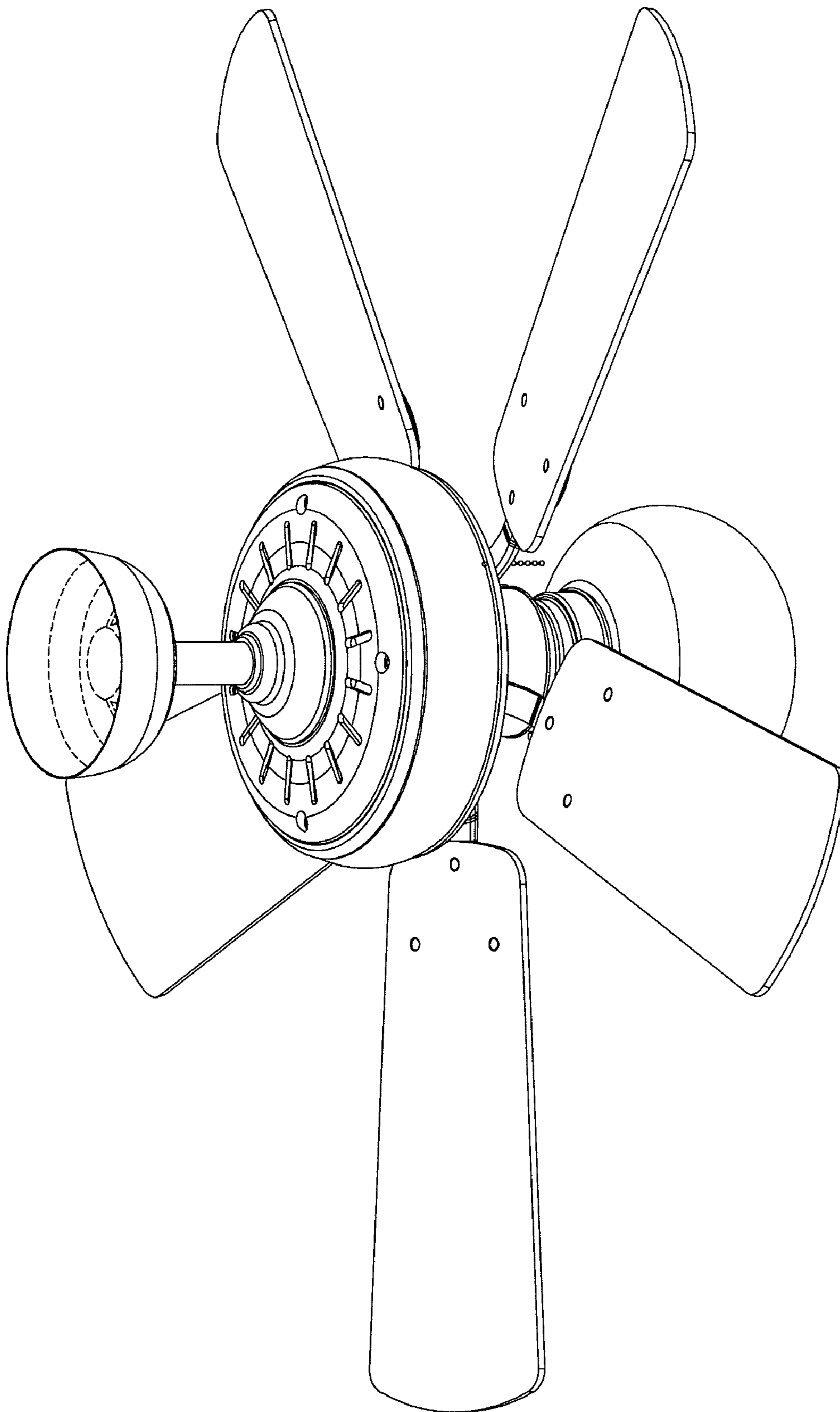


FIG. 5