



US00D600338S

(12) **United States Design Patent**
Chung

(10) **Patent No.:** **US D600,338 S**
(45) **Date of Patent:** **** Sep. 15, 2009**

(54) **SIDE PANEL FAN FOR A DESKTOP
COMPUTER CASE**

(75) Inventor: **Alan Chung**, City of Industry, CA (US)

(73) Assignee: **Broadway Com Corp.**, City of Industry,
CA (US)

(**) Term: **14 Years**

(21) Appl. No.: **29/246,811**

(22) Filed: **May 11, 2006**

(51) **LOC (9) Cl.** **23-04**

(52) **U.S. Cl.** **D23/370**

(58) **Field of Classification Search** D23/370;
D10/40; 416/247 R; D14/440

See application file for complete search history.

(56) **References Cited**

U.S. PATENT DOCUMENTS

D285,794 S *	9/1986	Cladek	D10/40
D296,585 S *	7/1988	Dodson	D23/370
6,168,396 B1 *	1/2001	Homola	417/423.14

* cited by examiner

Primary Examiner—Lisa P Lichtenstein

(74) *Attorney, Agent, or Firm*—East IP Group

(57) **CLAIM**

The ornamental design for a side panel fan for a desktop computer case, as shown and described.

DESCRIPTION

FIG. 1 is a perspective view of the side panel fan for a desktop computer case in a first embodiment. The computer case shown in broken lines is for illustrative purposes and forms no part of the claimed design.

FIG. 2 is a top plan view of the side panel fan for a desktop computer case in the first embodiment.

FIG. 3 is a left side view of the side panel fan for a desktop computer case in the first embodiment.

FIG. 4 is a front view of the side panel fan for a desktop computer case in the first embodiment.

FIG. 5 is a right side view of the side panel fan for a desktop computer case in the first embodiment.

FIG. 6 is a top plan view of the side panel fan for a desktop computer case in the second embodiment.

FIG. 7 is a left side view of the side panel fan for a desktop computer case in the second embodiment.

FIG. 8 is a front view of the side panel fan for a desktop computer case in the second embodiment.

FIG. 9 is a right side view of the side panel fan for a desktop computer case in the second embodiment.

FIG. 10 is a top plan view of the side panel fan for a desktop computer case in the fifth embodiment.

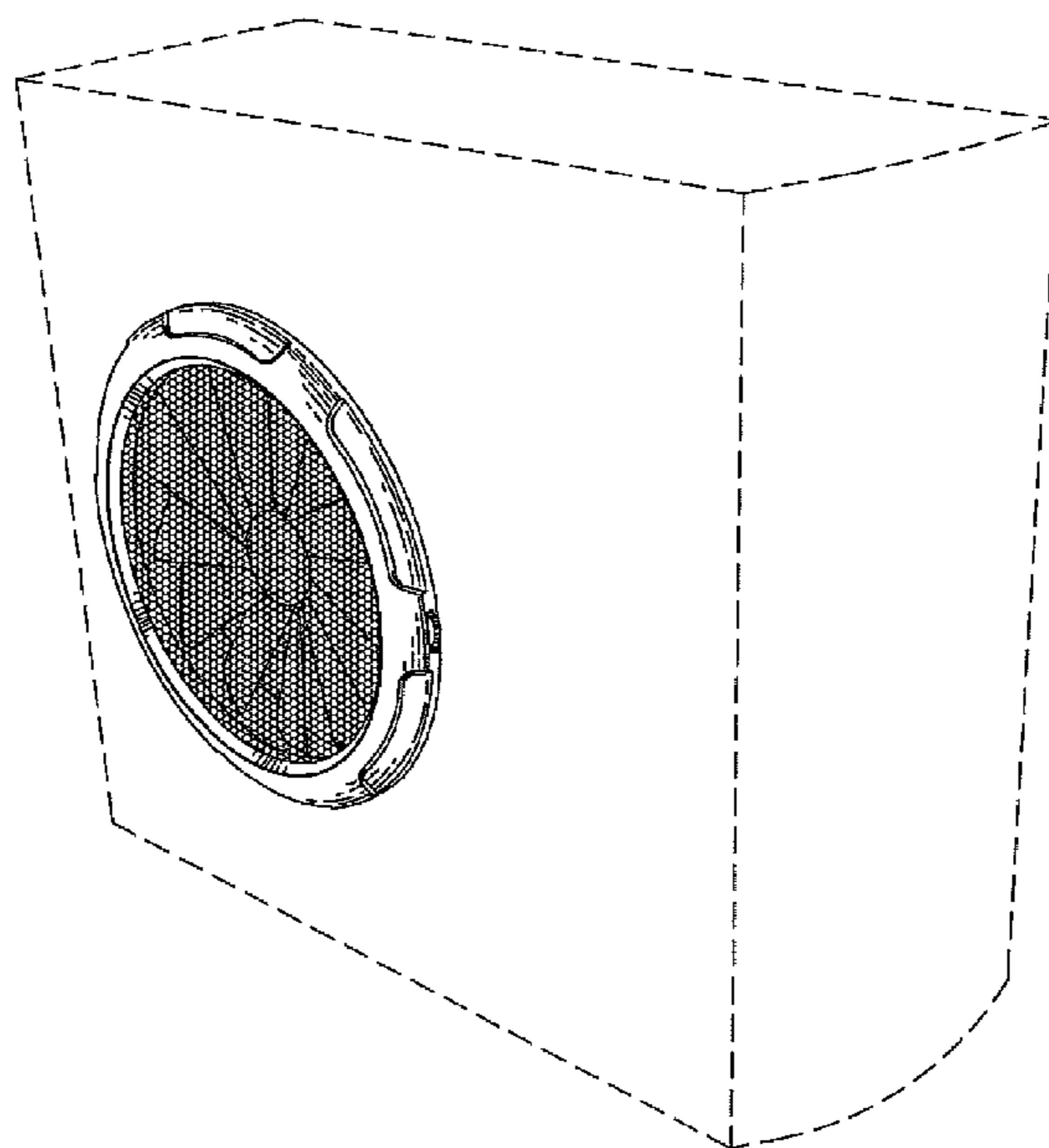
FIG. 11 is a left side view of the side panel fan for a desktop computer case in the fifth embodiment.

FIG. 12 is a front view of the side panel fan for a desktop computer case in the fifth embodiment; and,

FIG. 13 is a right side view of the side panel fan for a desktop computer case in the fifth embodiment.

The broken line showing of a desktop computer case is included for the purpose of illustrating environmental structure and forms no part of the claimed design.

1 Claim, 4 Drawing Sheets



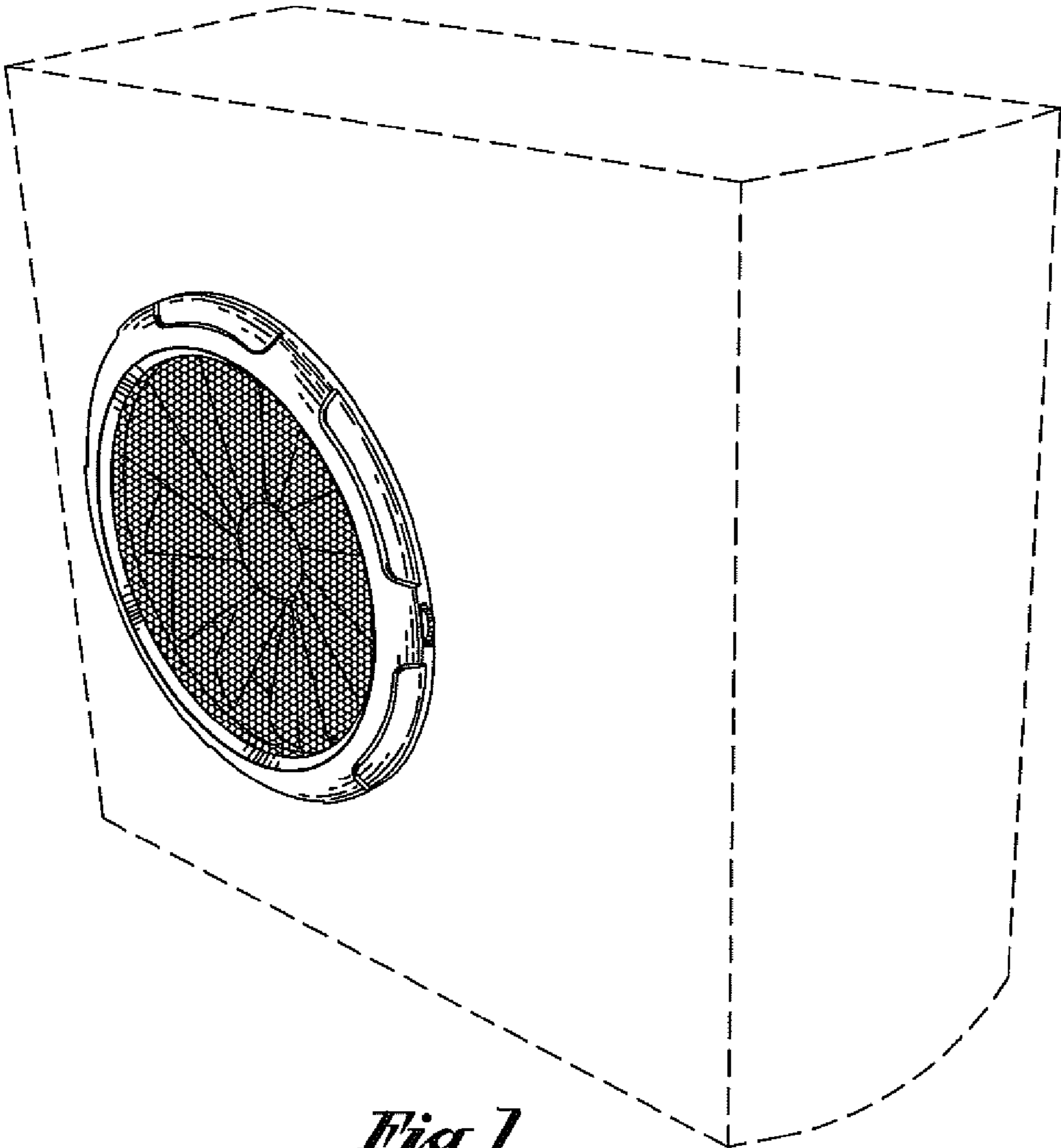


Fig. 1

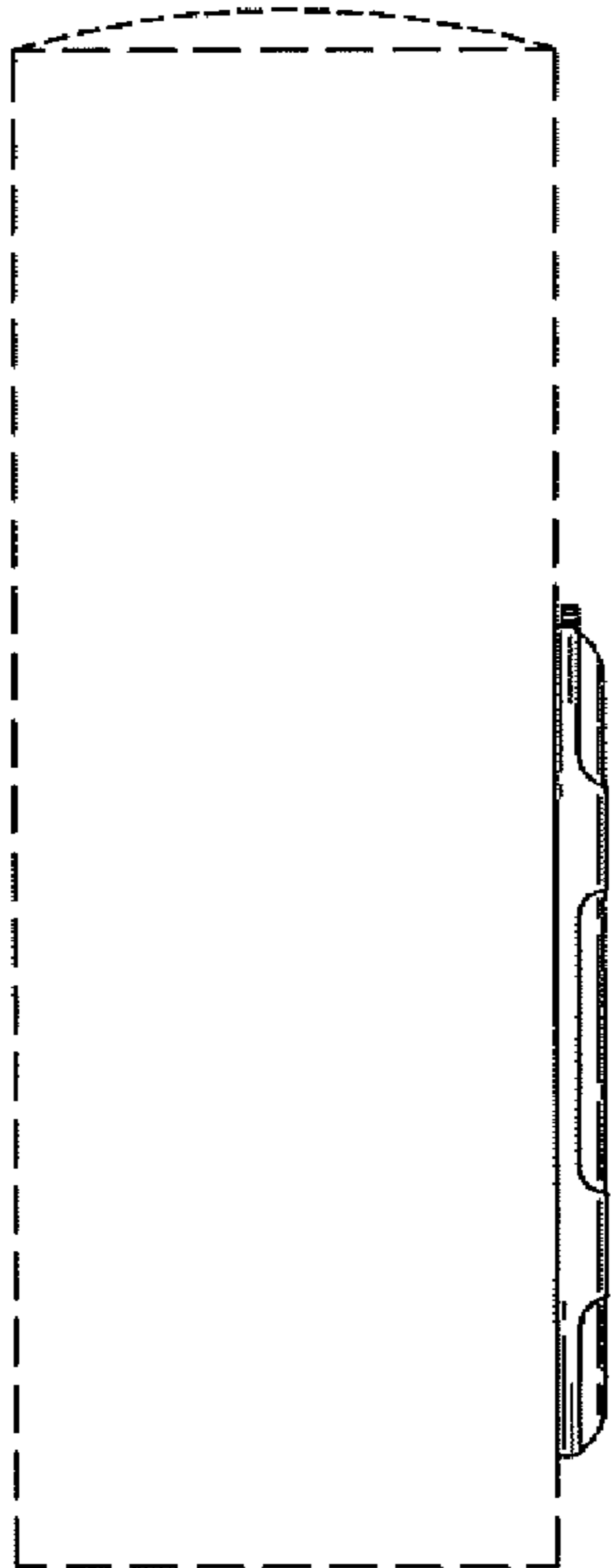


Fig. 2

Fig. 5

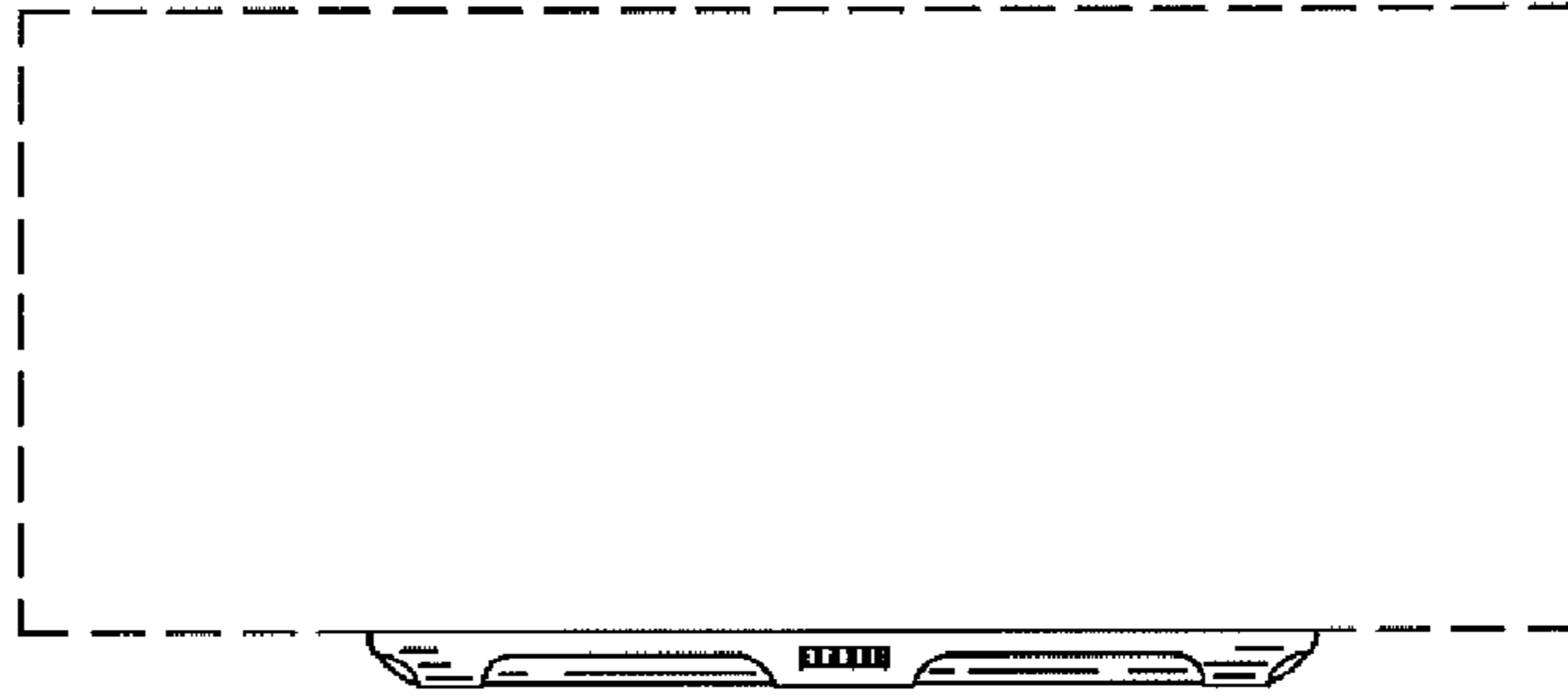


Fig. 4

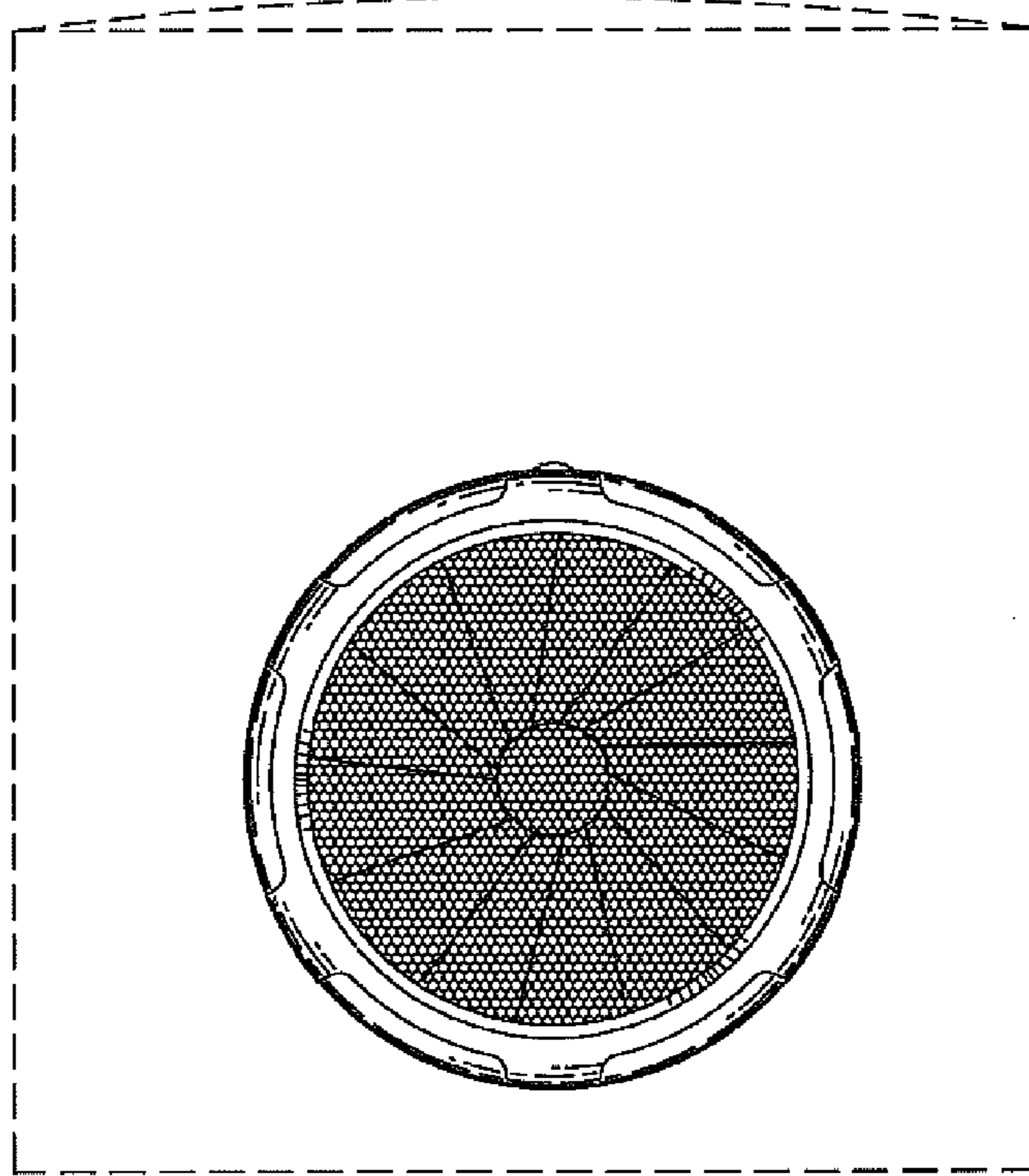
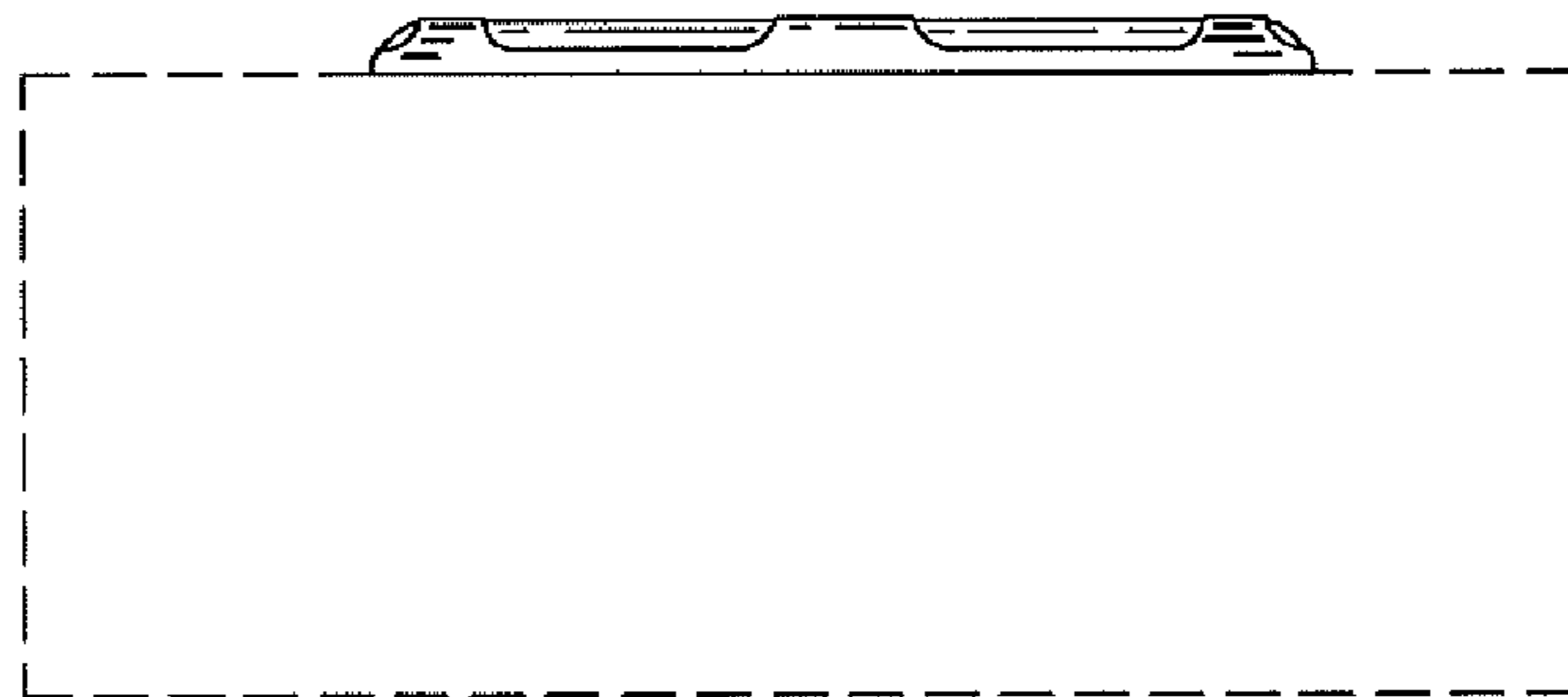


Fig. 3



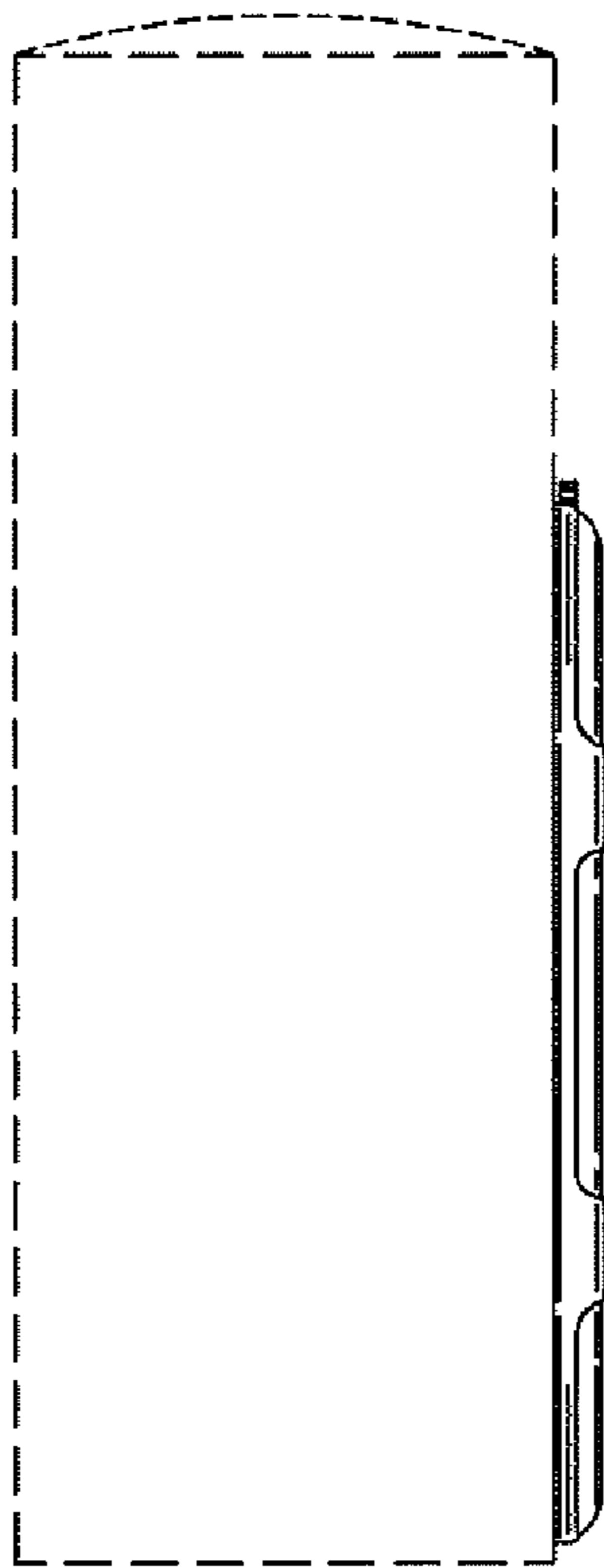


Fig. 6

Fig. 9

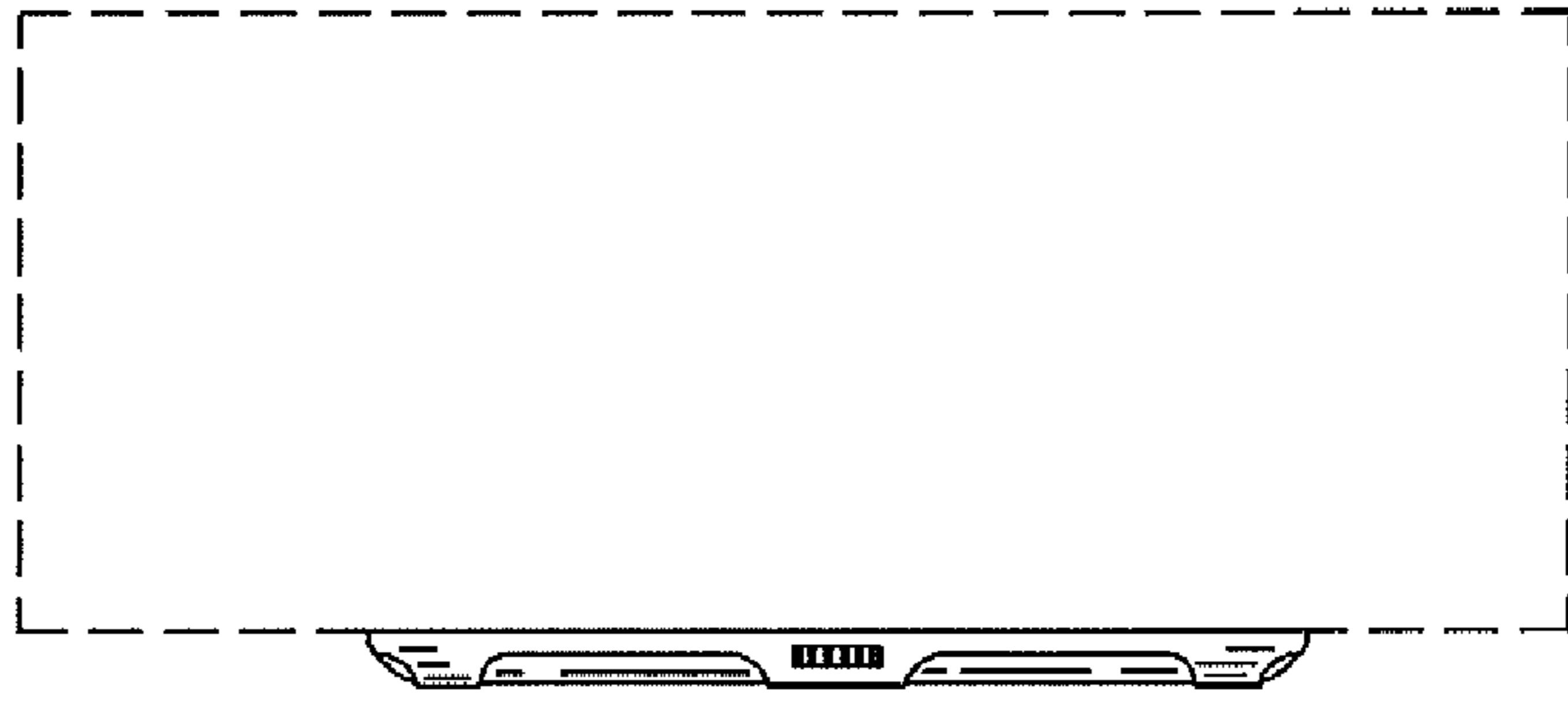


Fig. 8

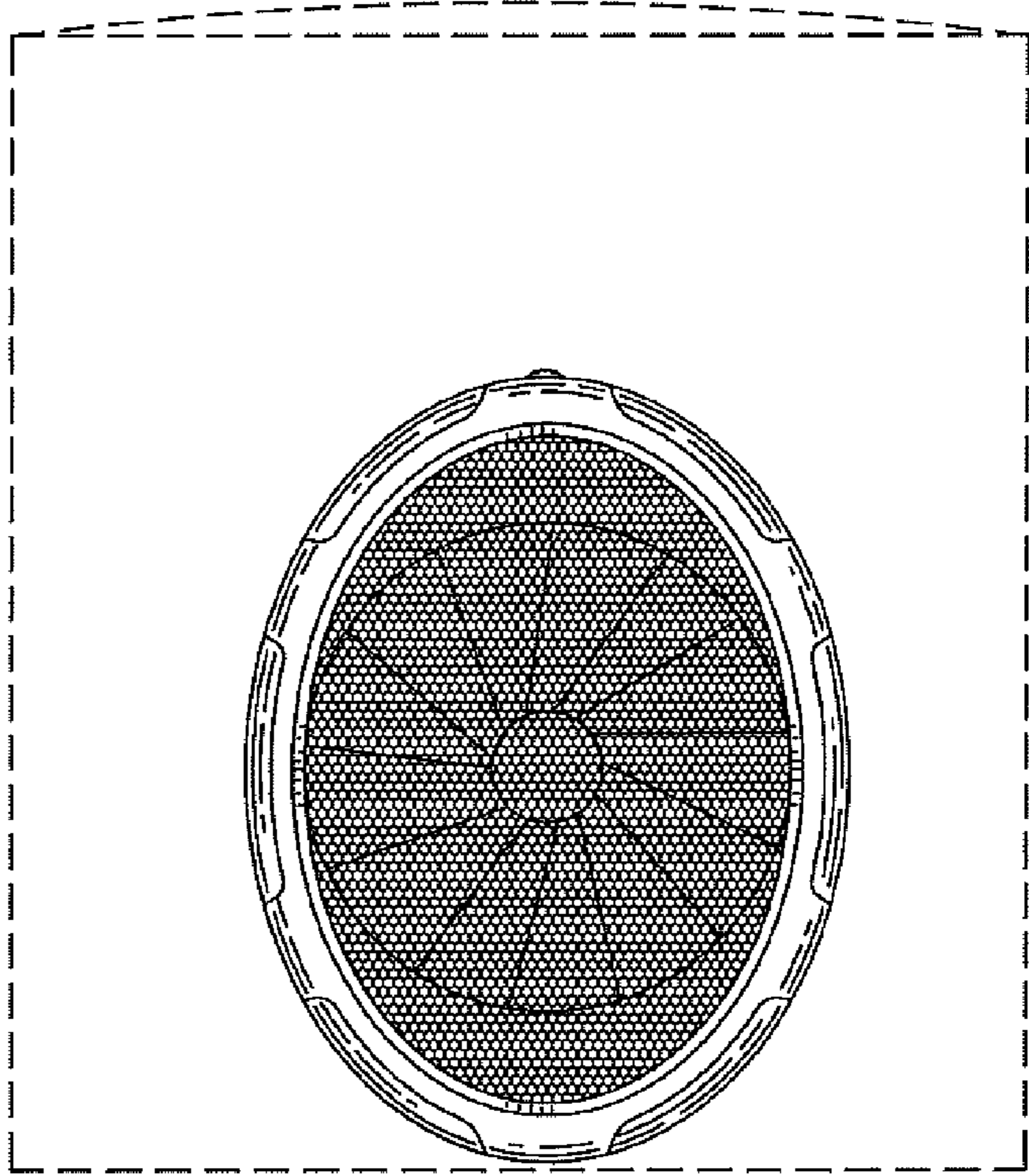
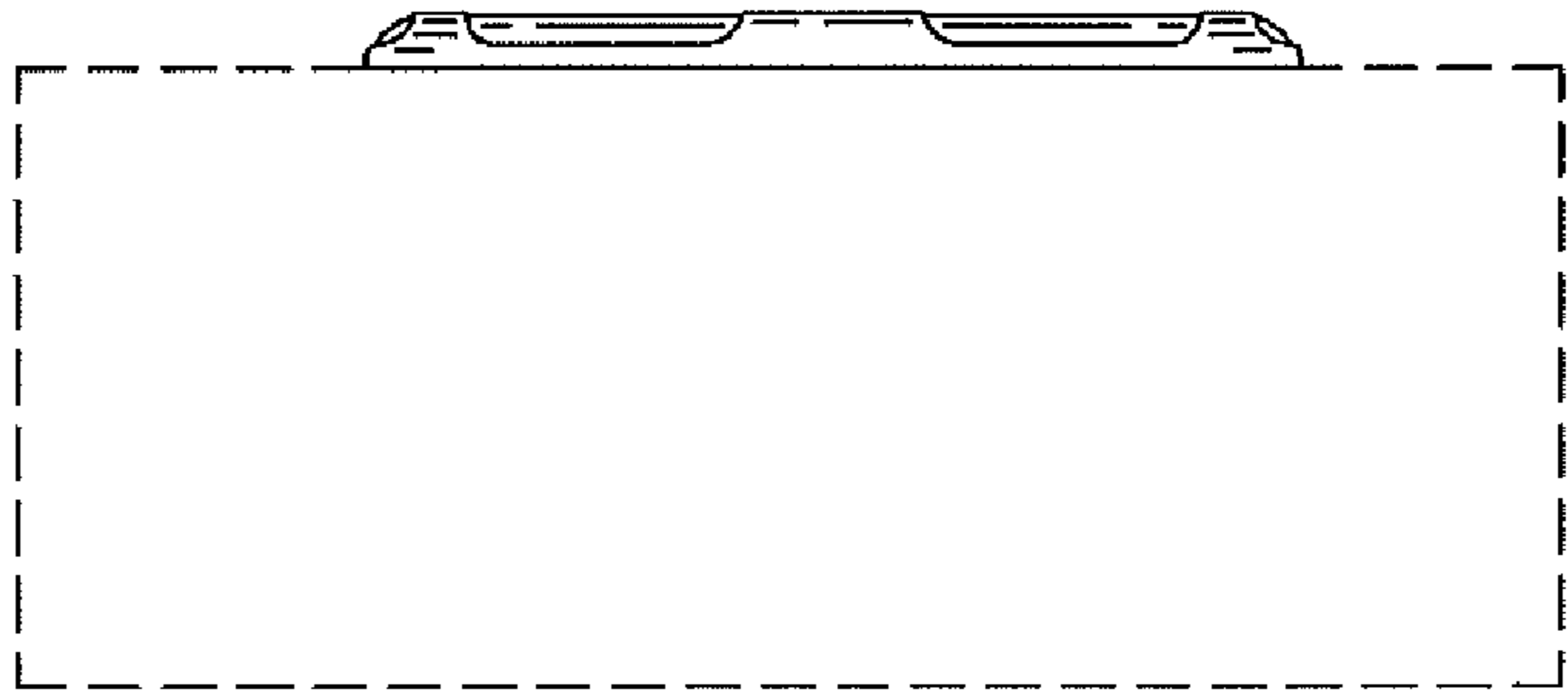


Fig. 7



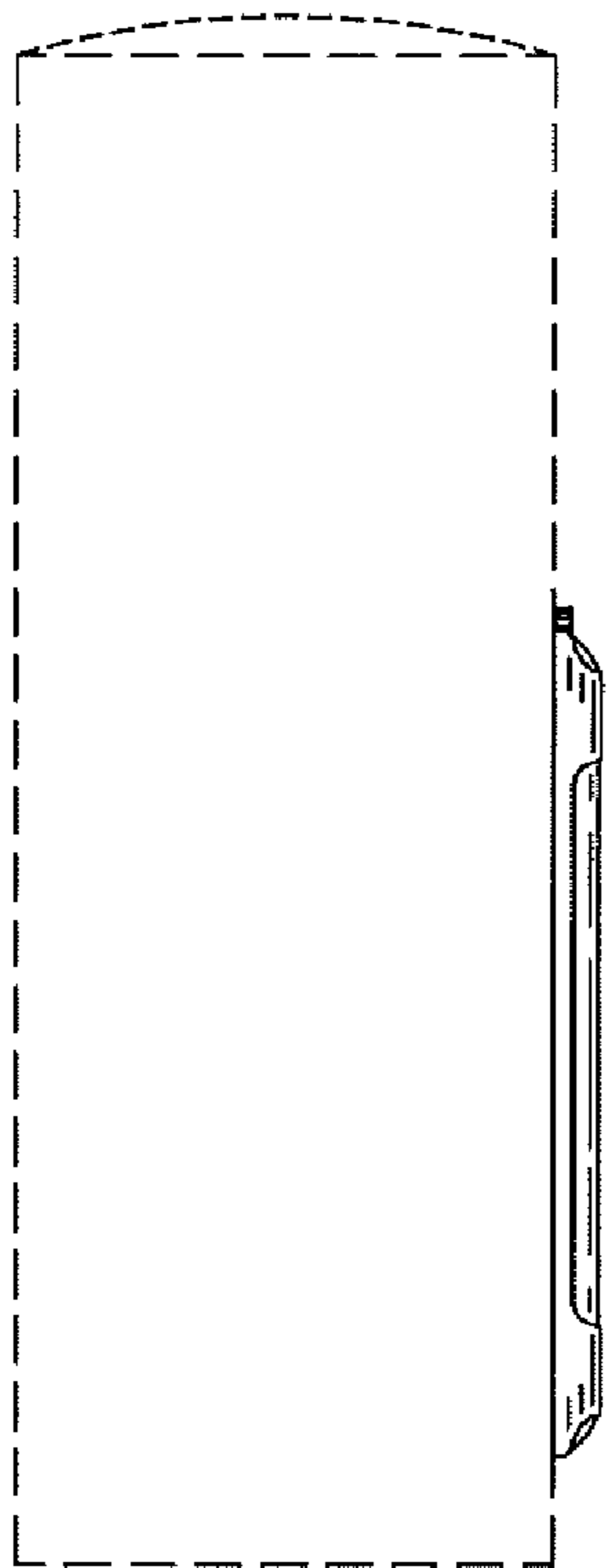


Fig. 10

Fig. 13

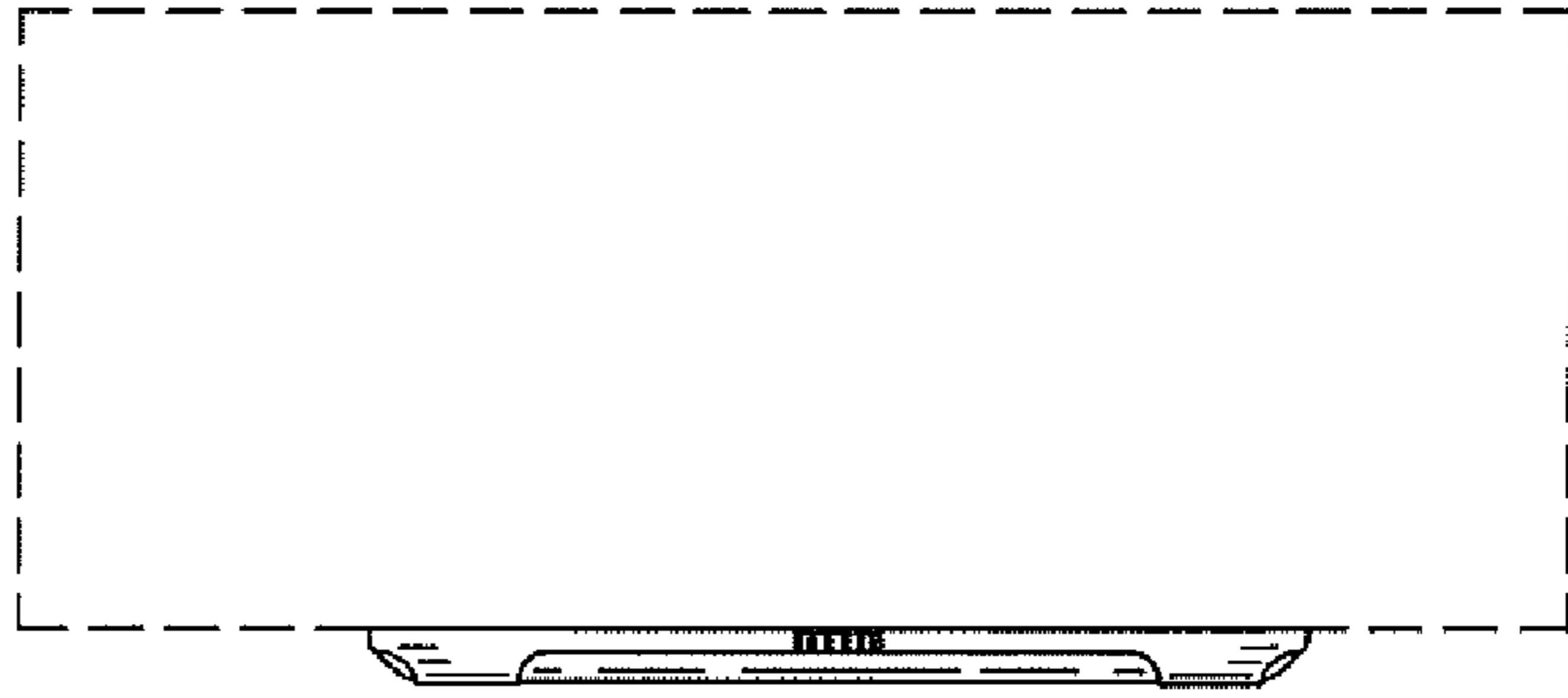


Fig. 12

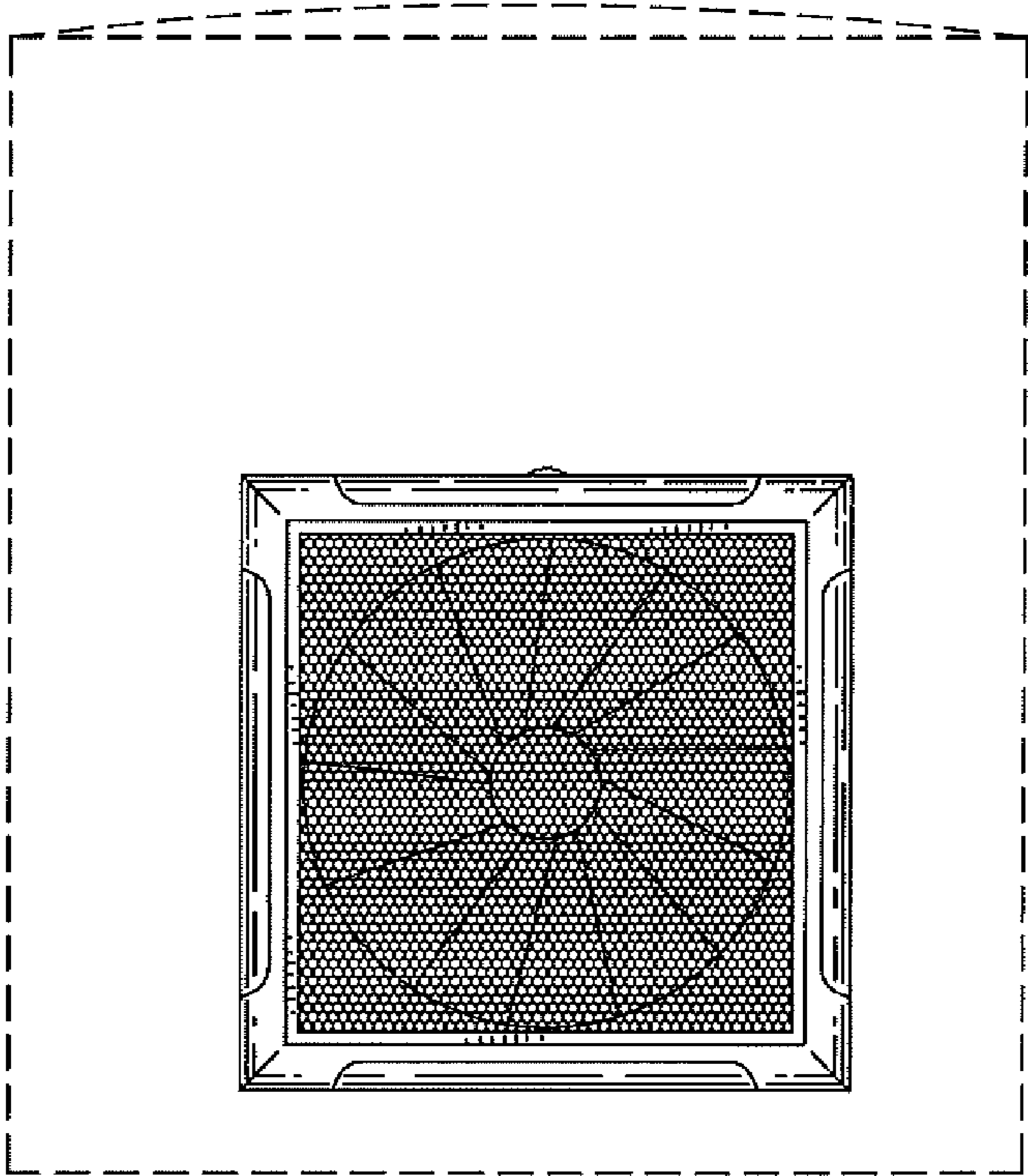


Fig. 11

