



US00D600331S

(12) **United States Design Patent**
Hanna

(10) **Patent No.:** **US D600,331 S**

(45) **Date of Patent:** **** Sep. 15, 2009**

(54) **LAVATORY**

(75) Inventor: **Ken S. Hanna**, Adell, WI (US)

(73) Assignee: **Kohler Co.**, Kohler, WI (US)

(**) Term: **14 Years**

(21) Appl. No.: **29/331,693**

(22) Filed: **Jan. 30, 2009**

(51) **LOC (9) Cl.** **23-02**

(52) **U.S. Cl.** **D23/284**

(58) **Field of Classification Search** D23/270–274,
D23/284, 285, 291, 293.1, 303, 308; 4/619,
4/638, 650, 661

See application file for complete search history.

(56) **References Cited**

U.S. PATENT DOCUMENTS

D538,905 S * 3/2007 Wano D23/293.1
D545,417 S * 6/2007 Tani et al. D23/293.1
D585,116 S * 1/2009 Thalmann Gomez et al. ... D23/
284

OTHER PUBLICATIONS

Kohler Co. "Purist Wading Pool Lavatory". Model No. K-2335. Kohler Co. online catalog. Copyright 2008 Kohler Co.
Kohler Co. "Antilia Wading Pool Glass Countertop Lavatory". Model No. K-2369. Kohler Co. online catalog. Copyright 2008 Kohler Co.
Aqua. "Sink". AstonMatthews.co.uk online catalog. Copyright 2004 Aston Matthews Ltd.

* cited by examiner

Primary Examiner—Robert A Delehanty

(74) *Attorney, Agent, or Firm*—Quarles & Brady LLP

(57) **CLAIM**

The ornamental design for a lavatory, as shown and described.

DESCRIPTION

In a preferred embodiment, the nature of this product is as a plumbing fixture in the form of a lavatory which is primarily useful for washing various items and the body parts of humans.

FIG. 1 is a left, top, front perspective view of a lavatory embodying my new design;

FIG. 2 is a top plan view thereof;

FIG. 3 is a front elevational view thereof;

FIG. 4 is a left side elevational view thereof, the right side elevational view thereof being a mirror image of the left side shown;

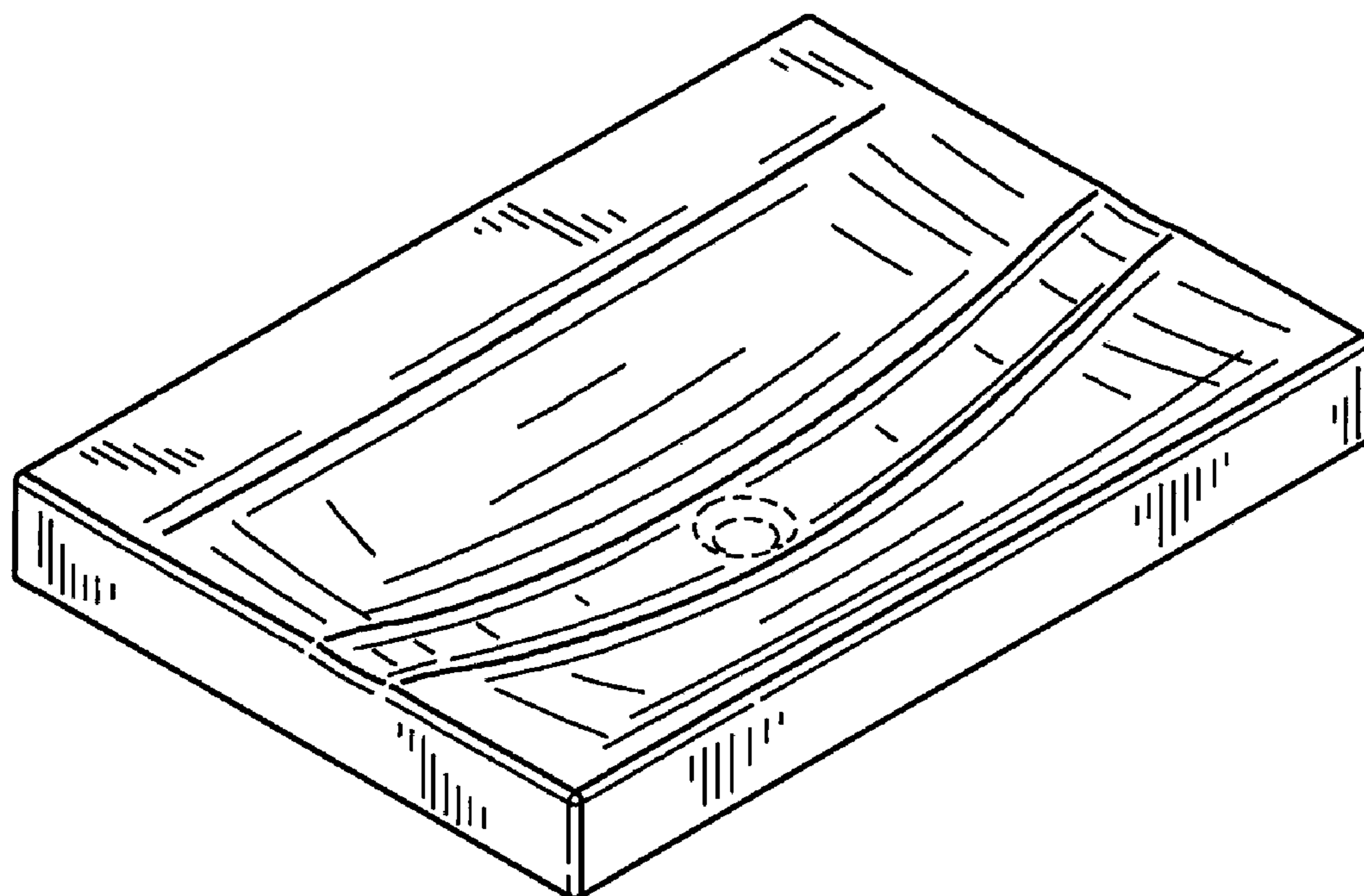
FIG. 5 is a rear elevational view thereof;

FIG. 6 is a bottom plan view thereof; and,

FIG. 7 is a sectional view taken along line 7—7 of FIG. 2.

The broken line representations in the figures are for the purpose of illustration only, and form no part of the claimed design.

1 Claim, 3 Drawing Sheets



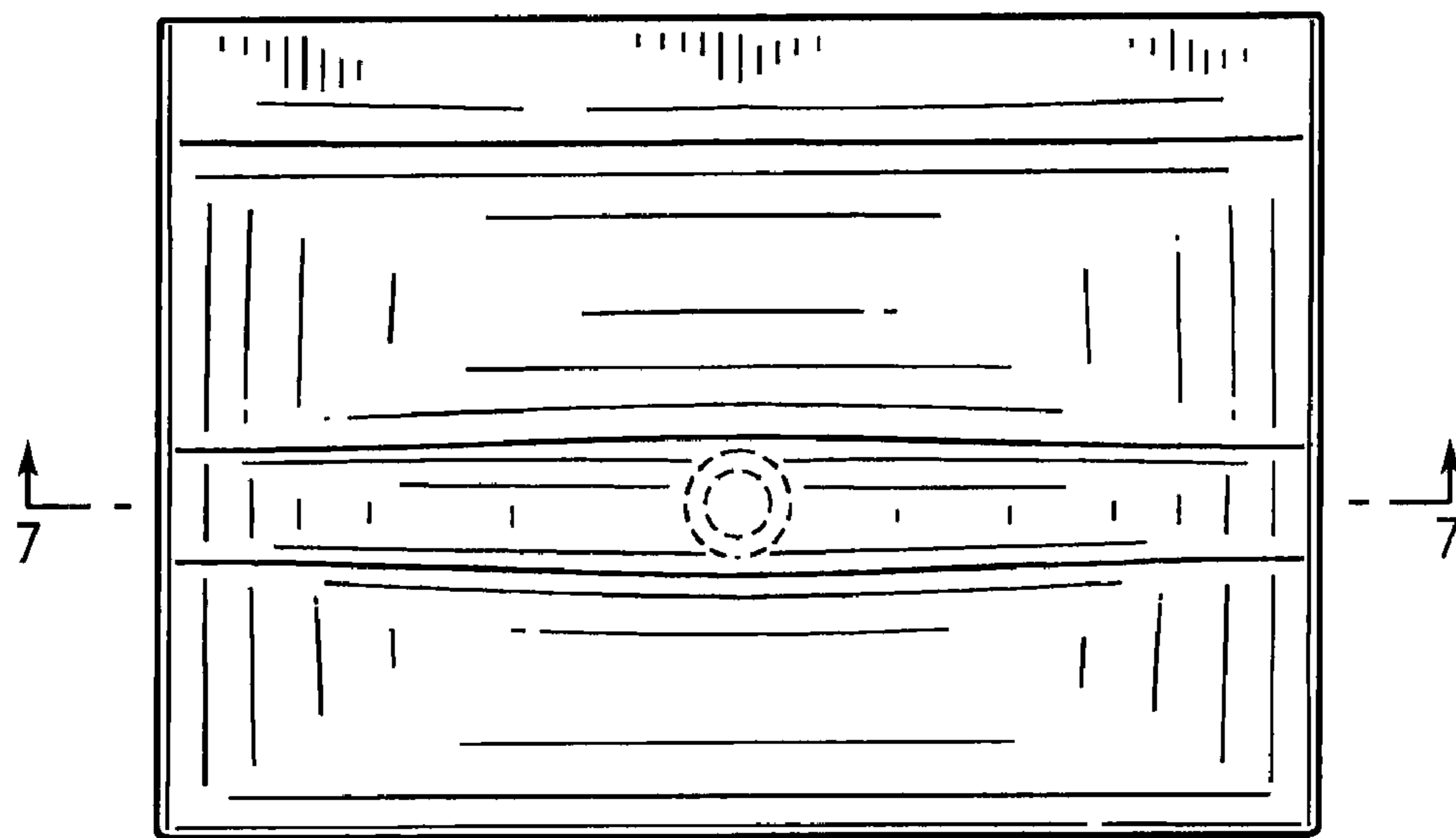
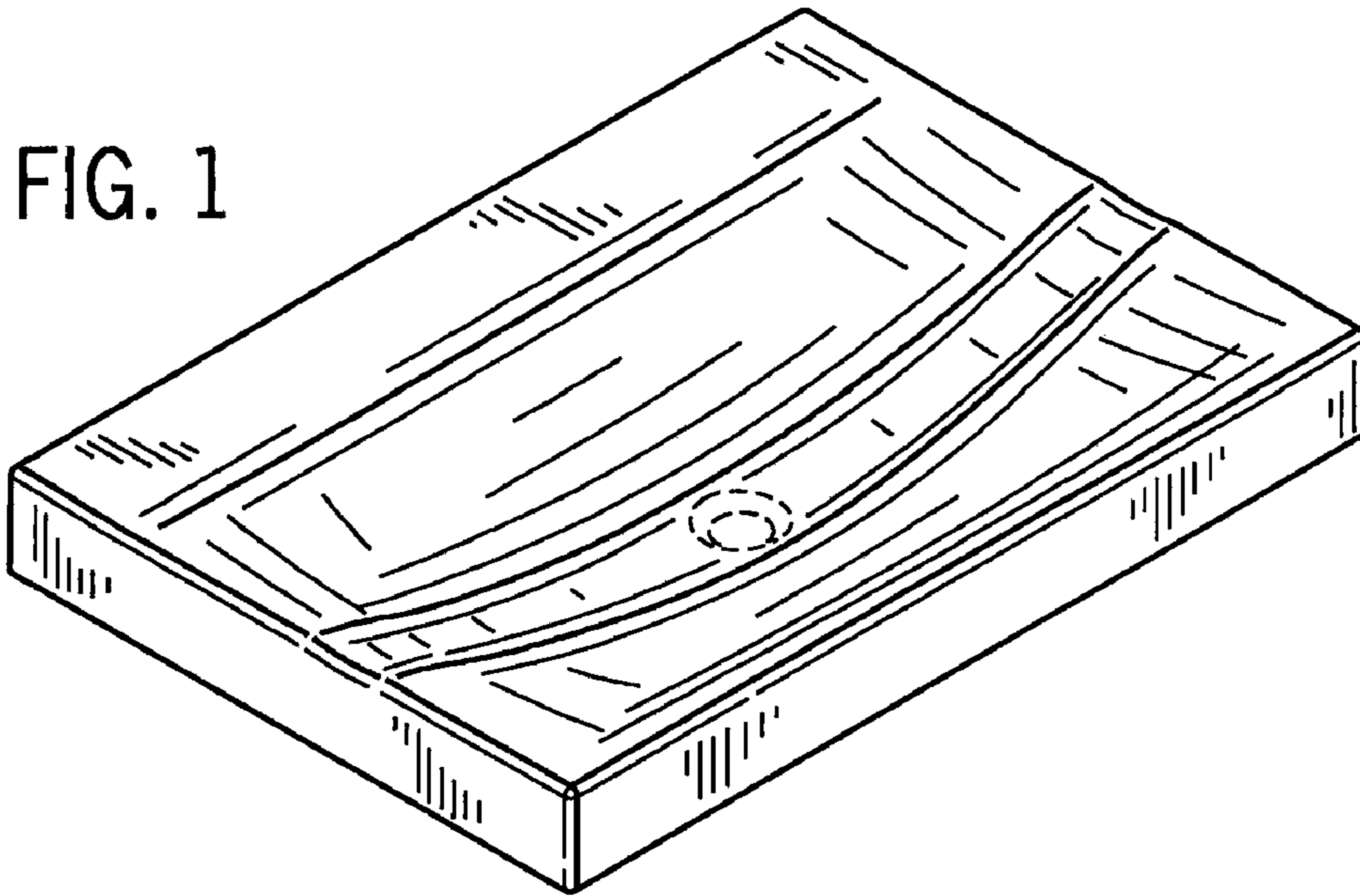


FIG. 2

FIG. 3



FIG. 4

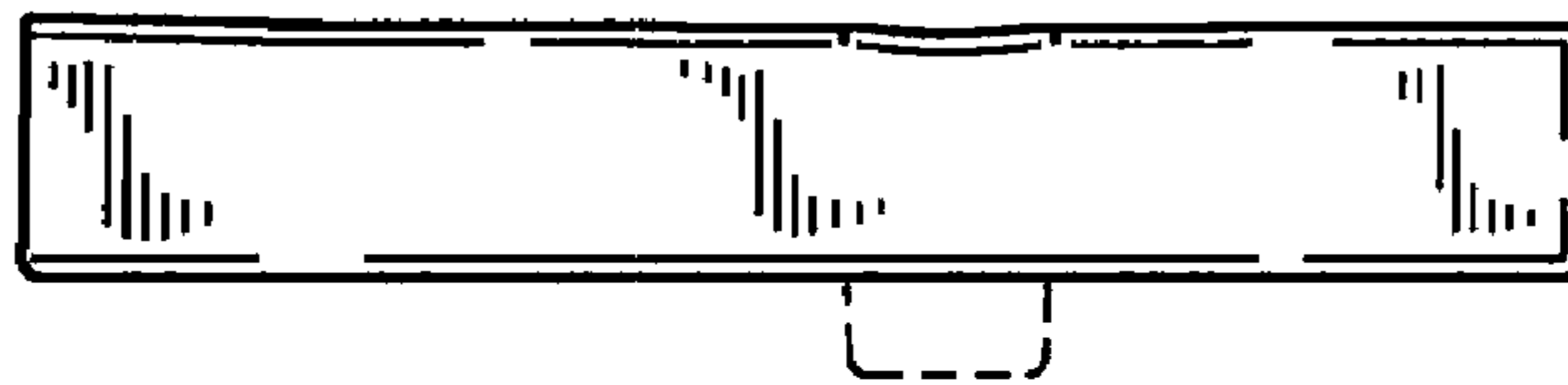


FIG. 5



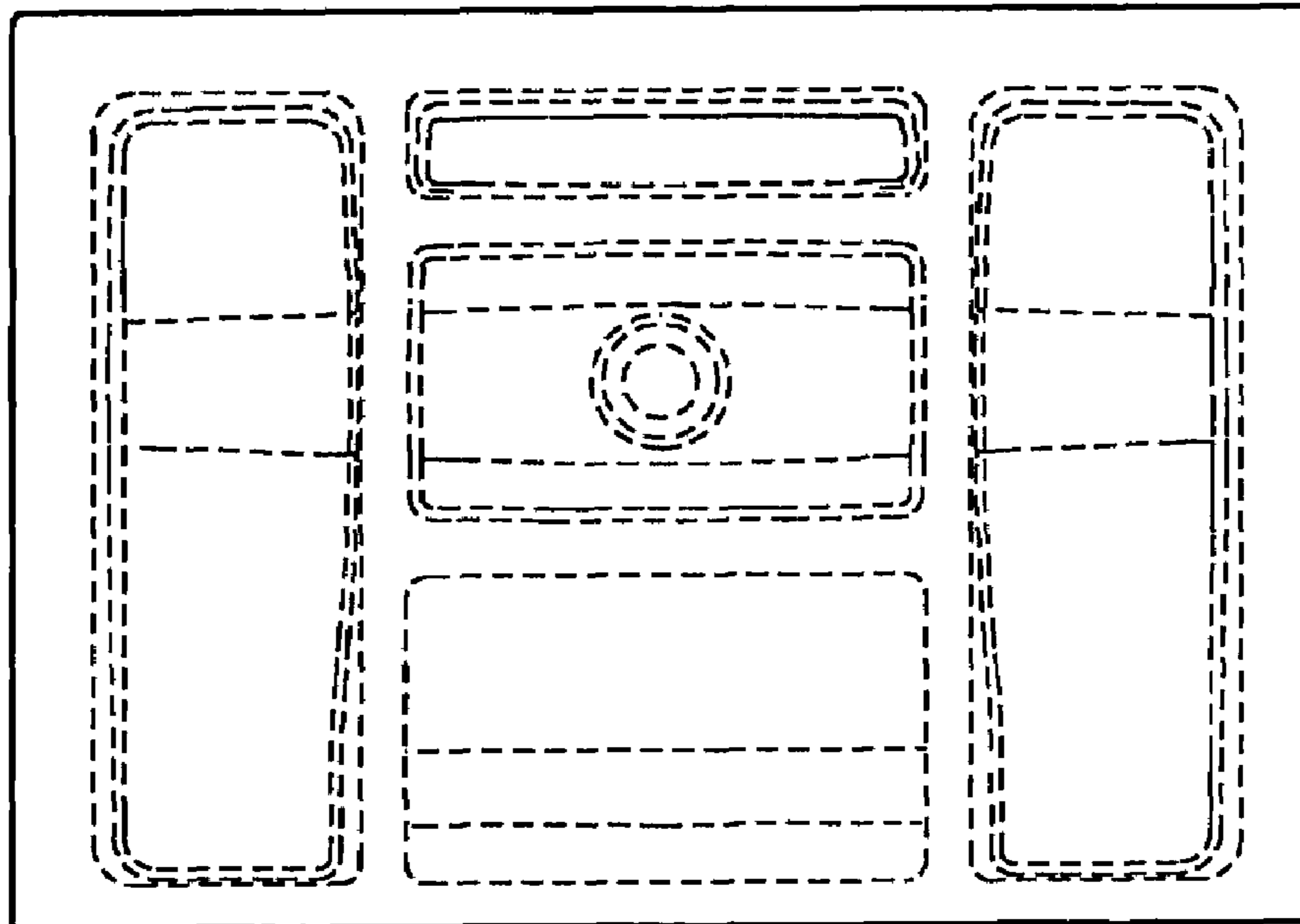


FIG. 6



FIG. 7