



US00D600330S

(12) **United States Design Patent**
Barba et al.

(10) **Patent No.:** **US D600,330 S**

(45) **Date of Patent:** **** Sep. 15, 2009**

(54) **TUB**

D527,081 S * 8/2006 Hatrick-Smith D23/280.1

(75) Inventors: **Kim Barba**, Viborg (DK); **Niels Peter Estrup**, Hinnerup (DK)

* cited by examiner

Primary Examiner—Robert A Delehanty

(74) *Attorney, Agent, or Firm*—Day Pitney LLP

(73) Assignee: **Flexi Bath APS**, Abyhøj (DK)

(**) Term: **14 Years**

(57) **CLAIM**

The ornamental design for a tub, as shown and described.

(21) Appl. No.: **29/313,160**

(22) Filed: **Dec. 12, 2008**

DESCRIPTION

(51) **LOC (9) Cl.** **23-02**

FIG. 1 is a top left perspective view of a tub in accordance with the present design;

(52) **U.S. Cl.** **D23/280.1**

FIG. 2 is a top right perspective view thereof;

(58) **Field of Classification Search** D23/270,
D23/273, 276–278, 280.1, 280.2, 280.4, 303–305;
4/528, 539, 540, 661

FIG. 3 is a top plan view thereof;

FIG. 4 is a bottom plan view thereof;

See application file for complete search history.

FIG. 5 is a front view thereof; the rear view being the same;

FIG. 6 is a right side view thereof; and,

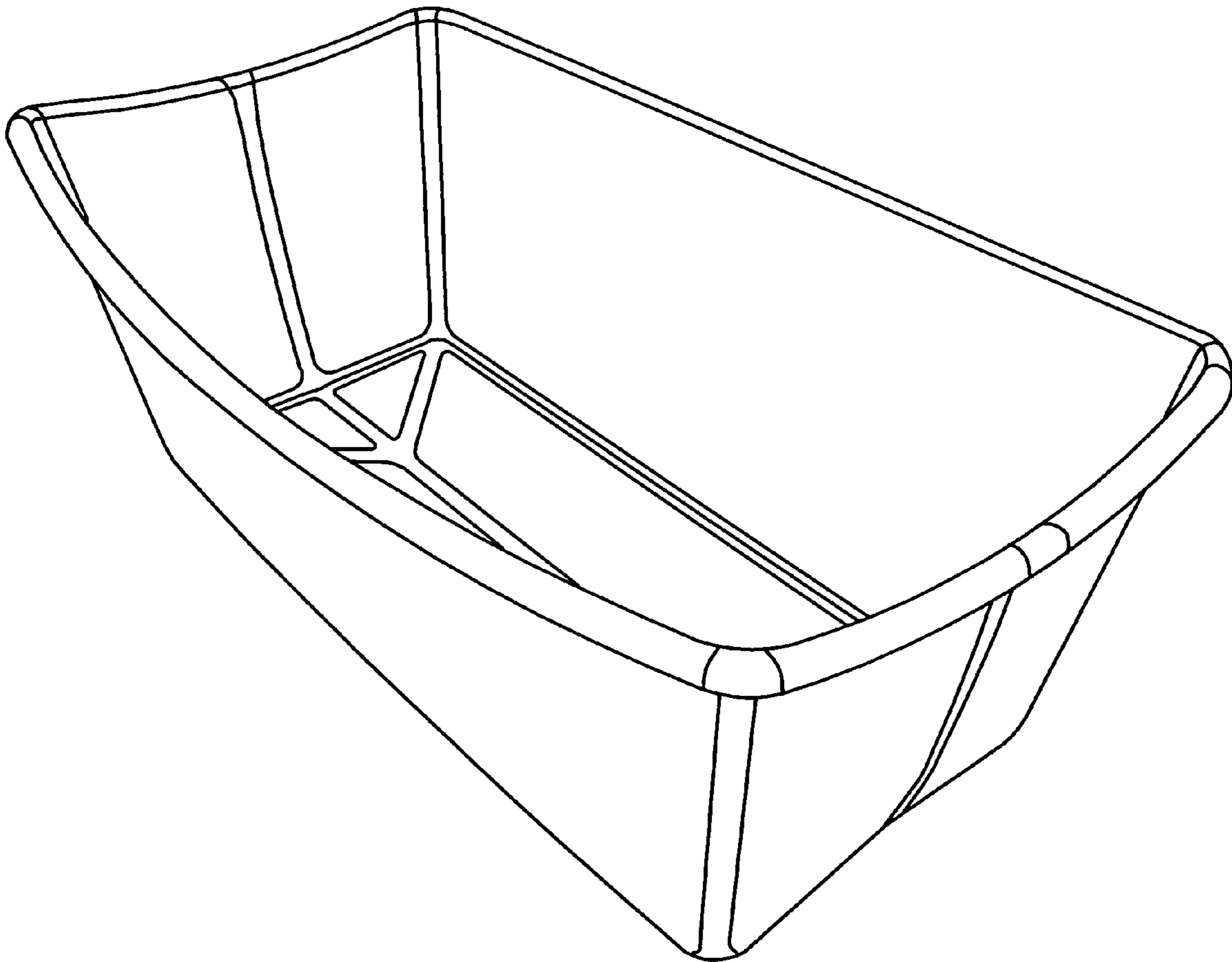
FIG. 7 is a left side view thereof.

(56) **References Cited**

U.S. PATENT DOCUMENTS

D525,687 S * 7/2006 Kohler et al. D23/280.1

1 Claim, 6 Drawing Sheets



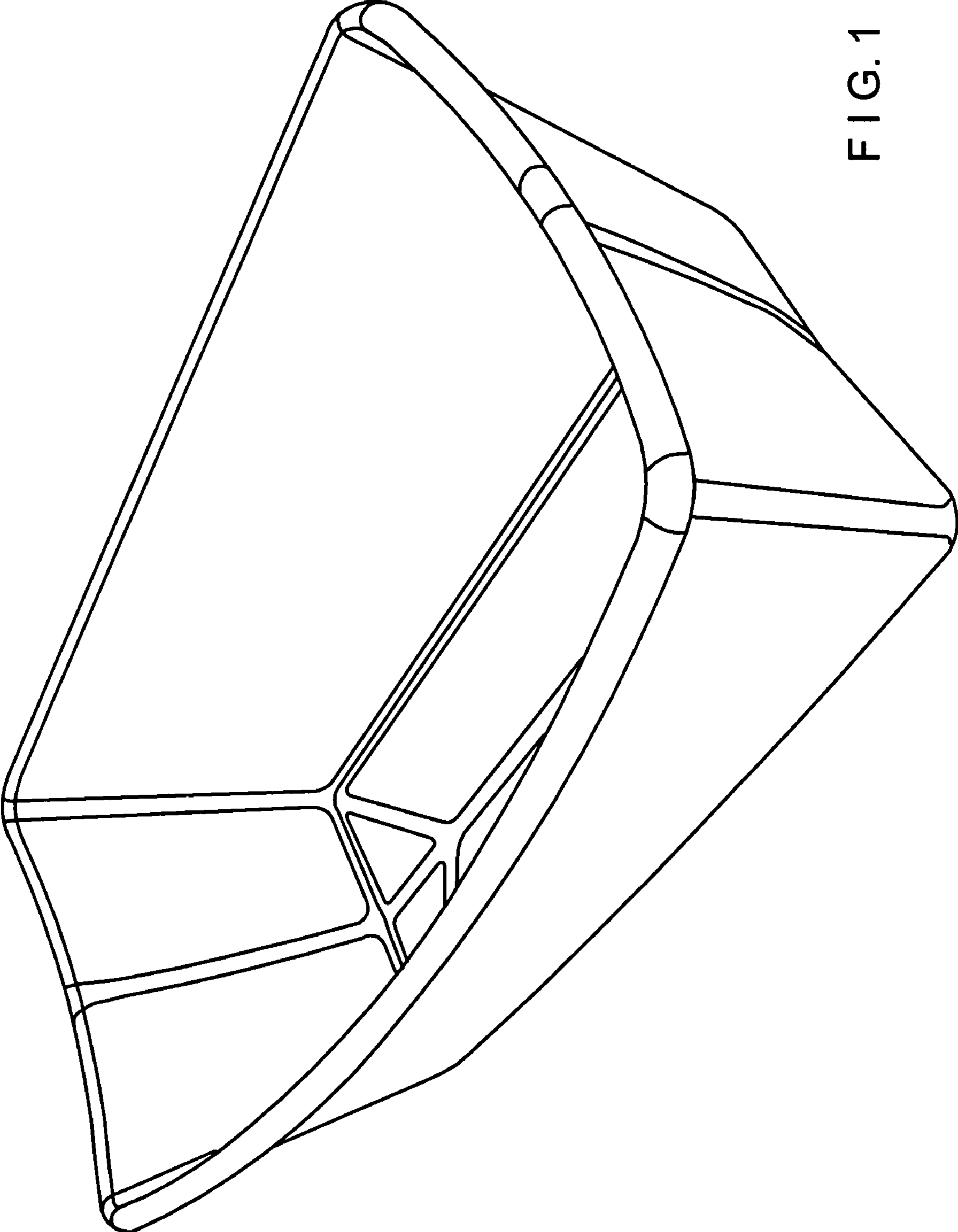


FIG. 1

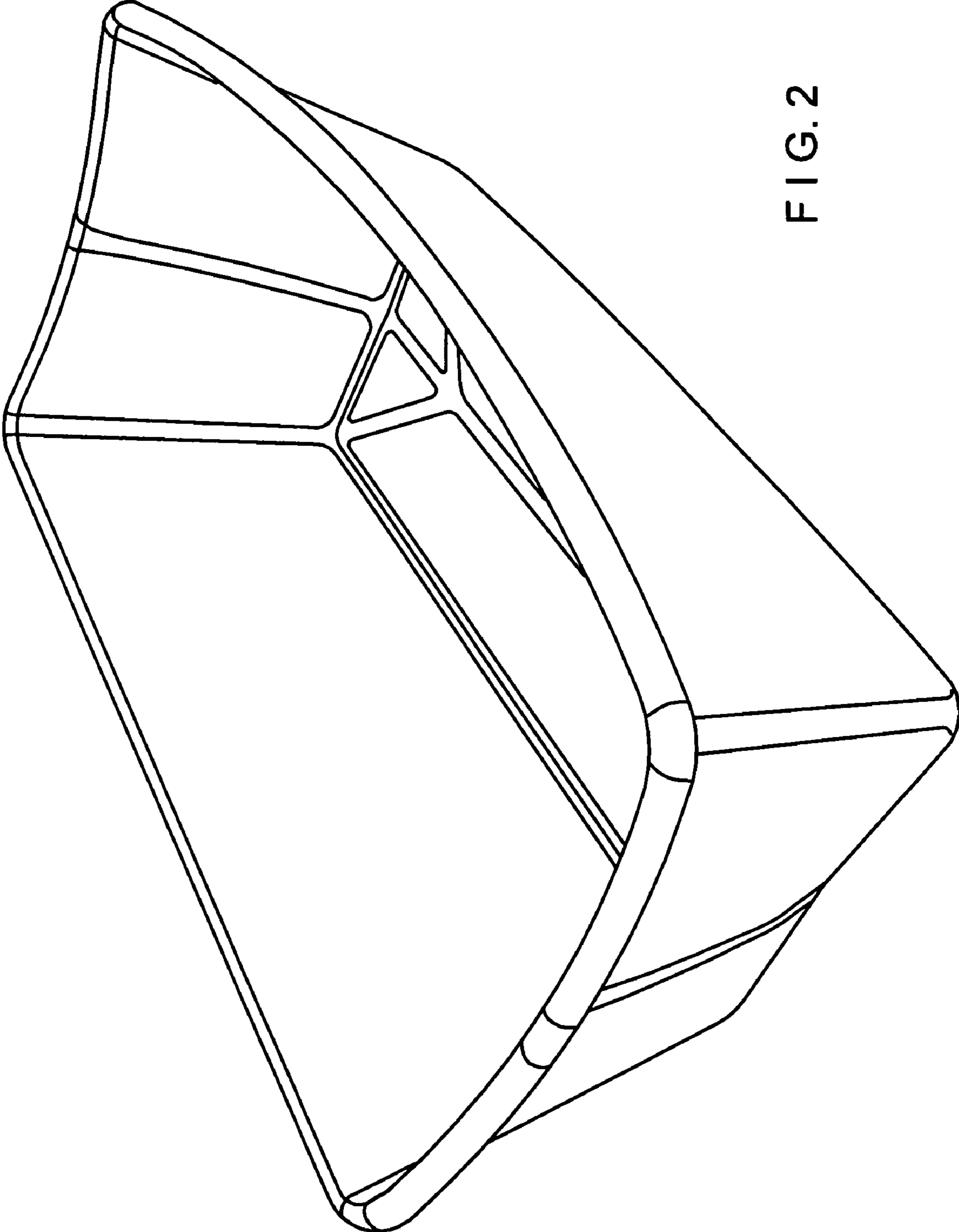


FIG. 2

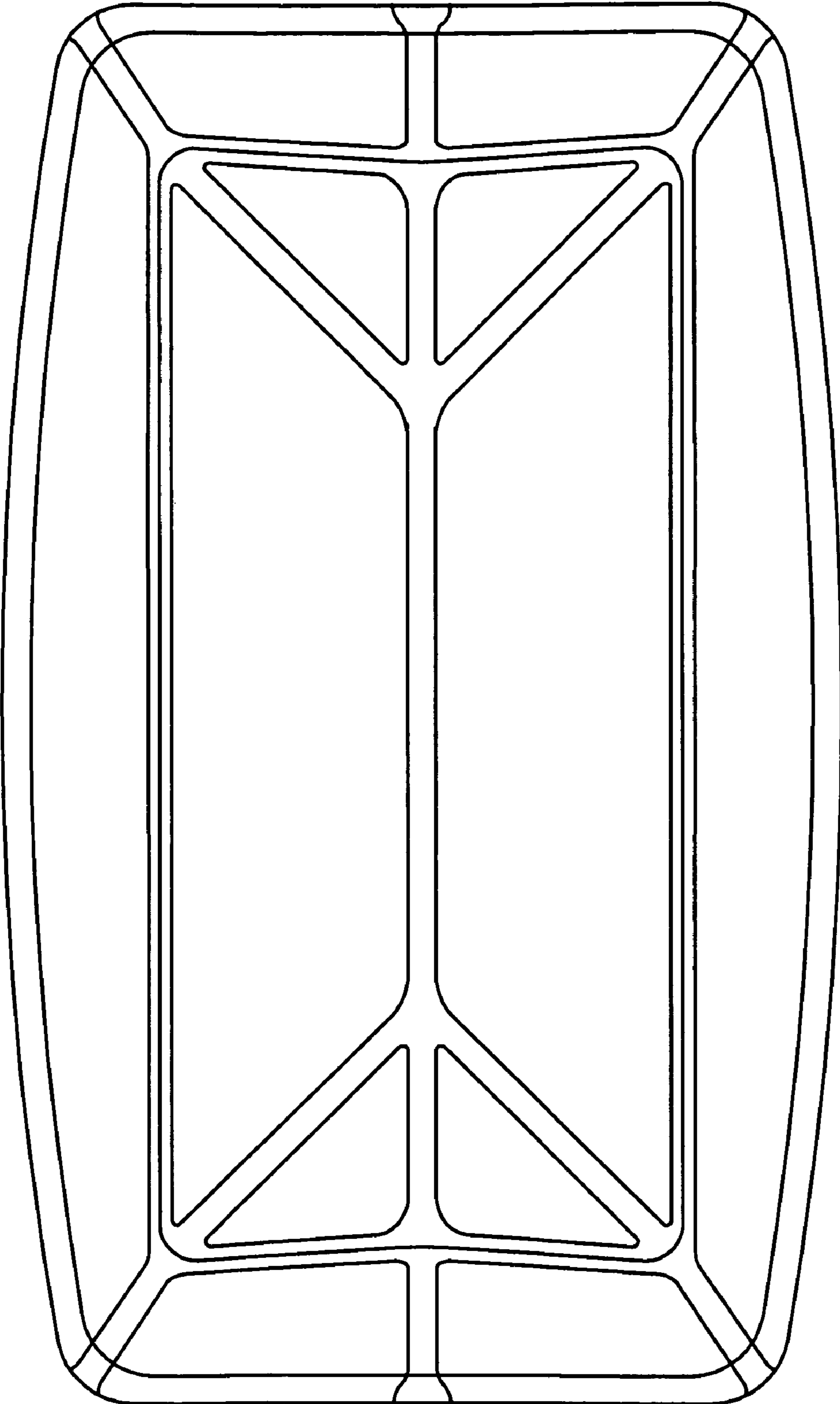


FIG. 3

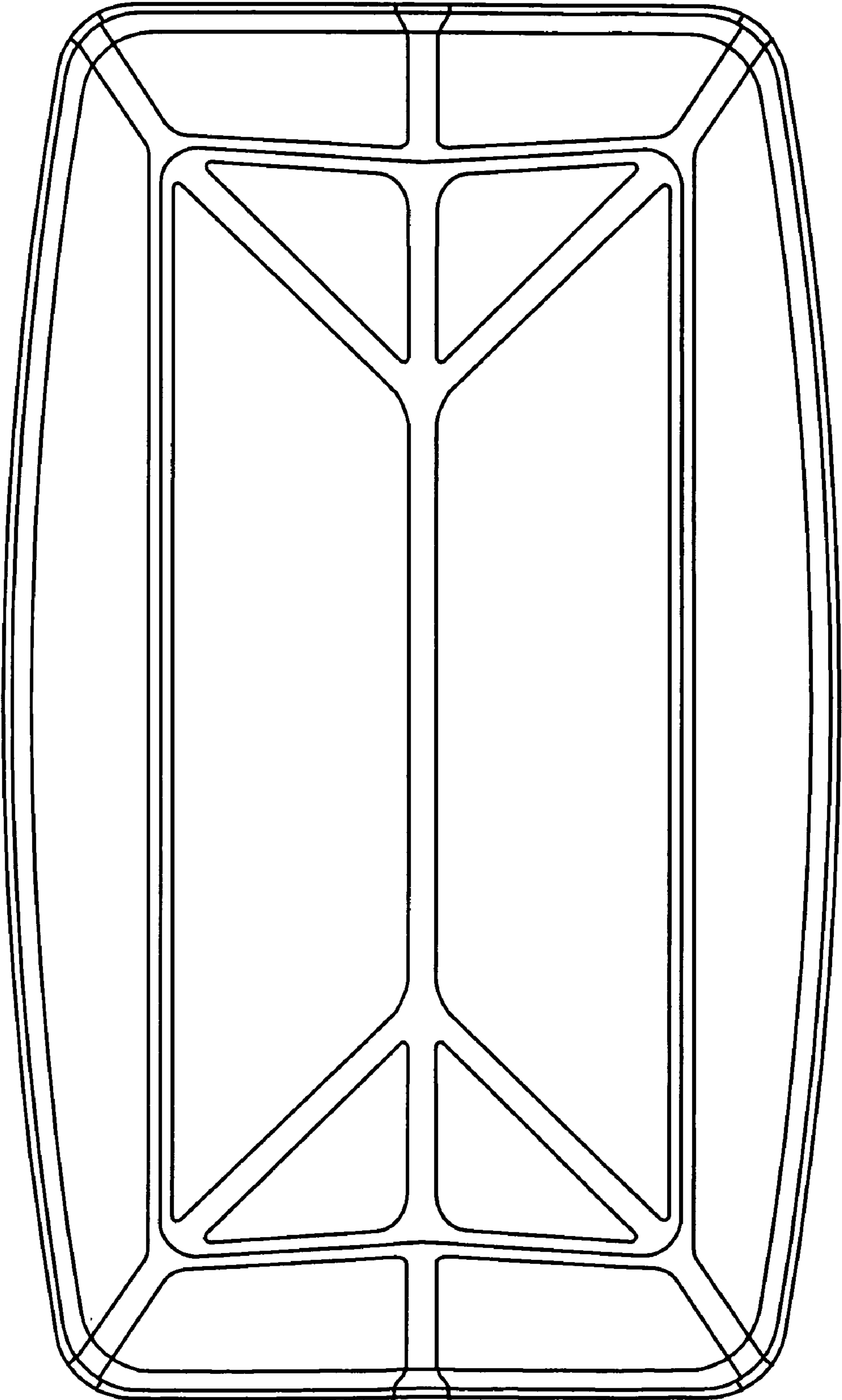


FIG. 4

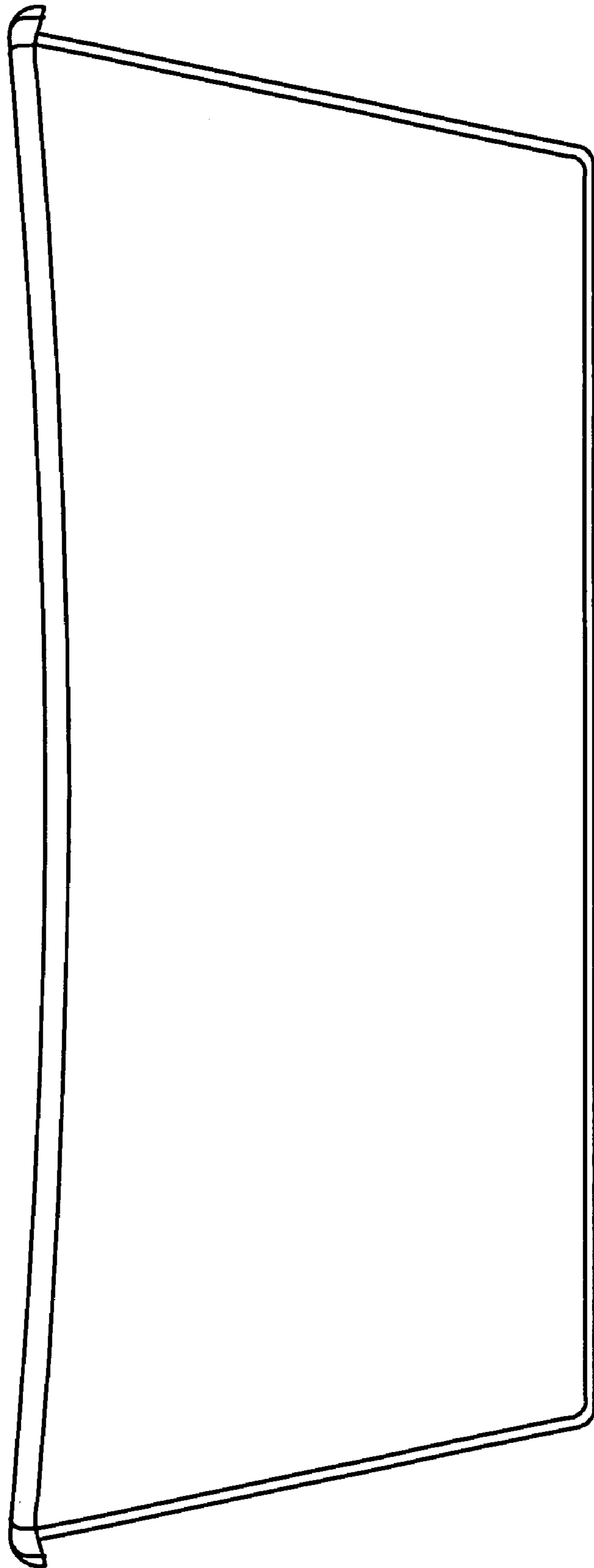


FIG. 5

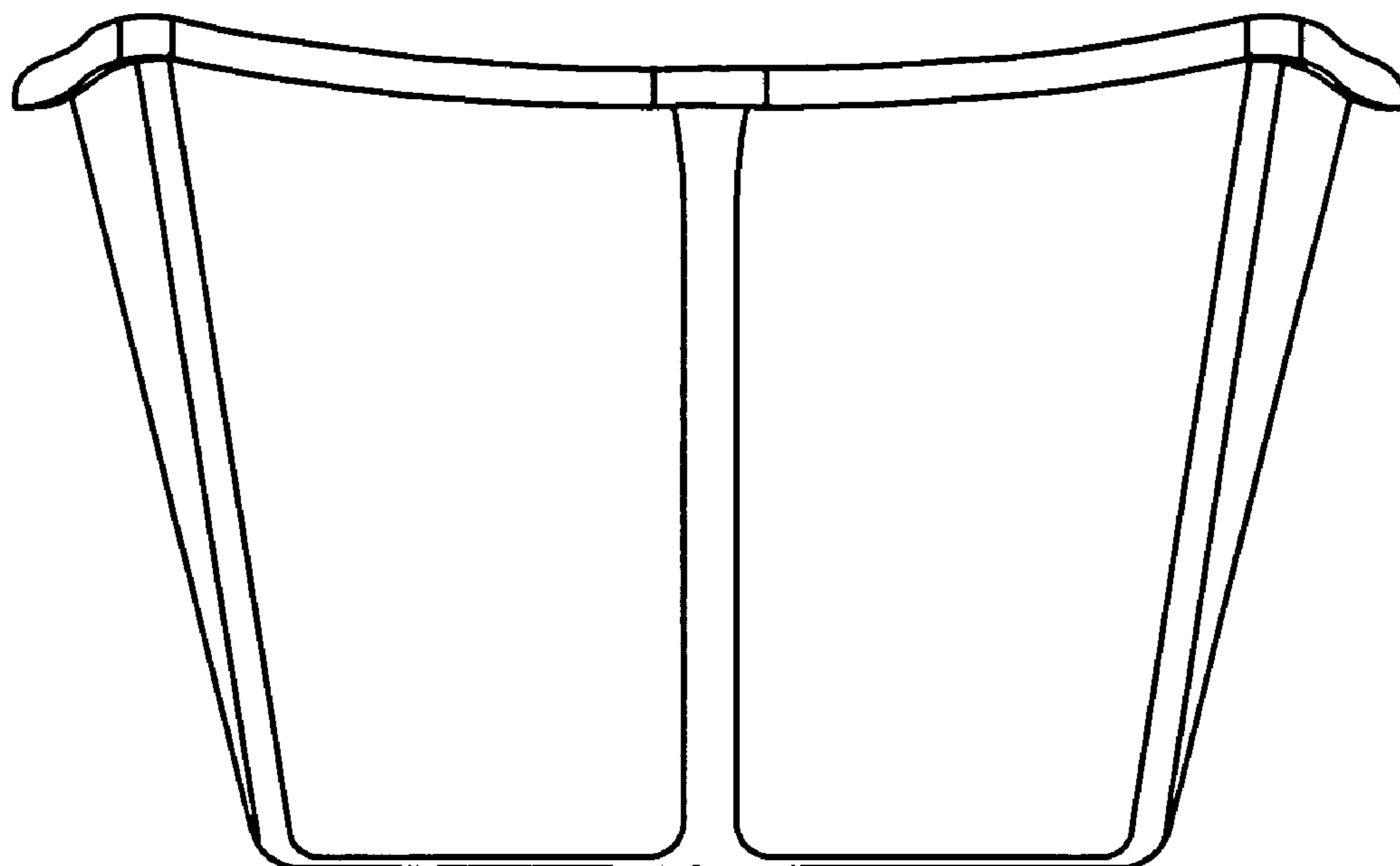


FIG. 6

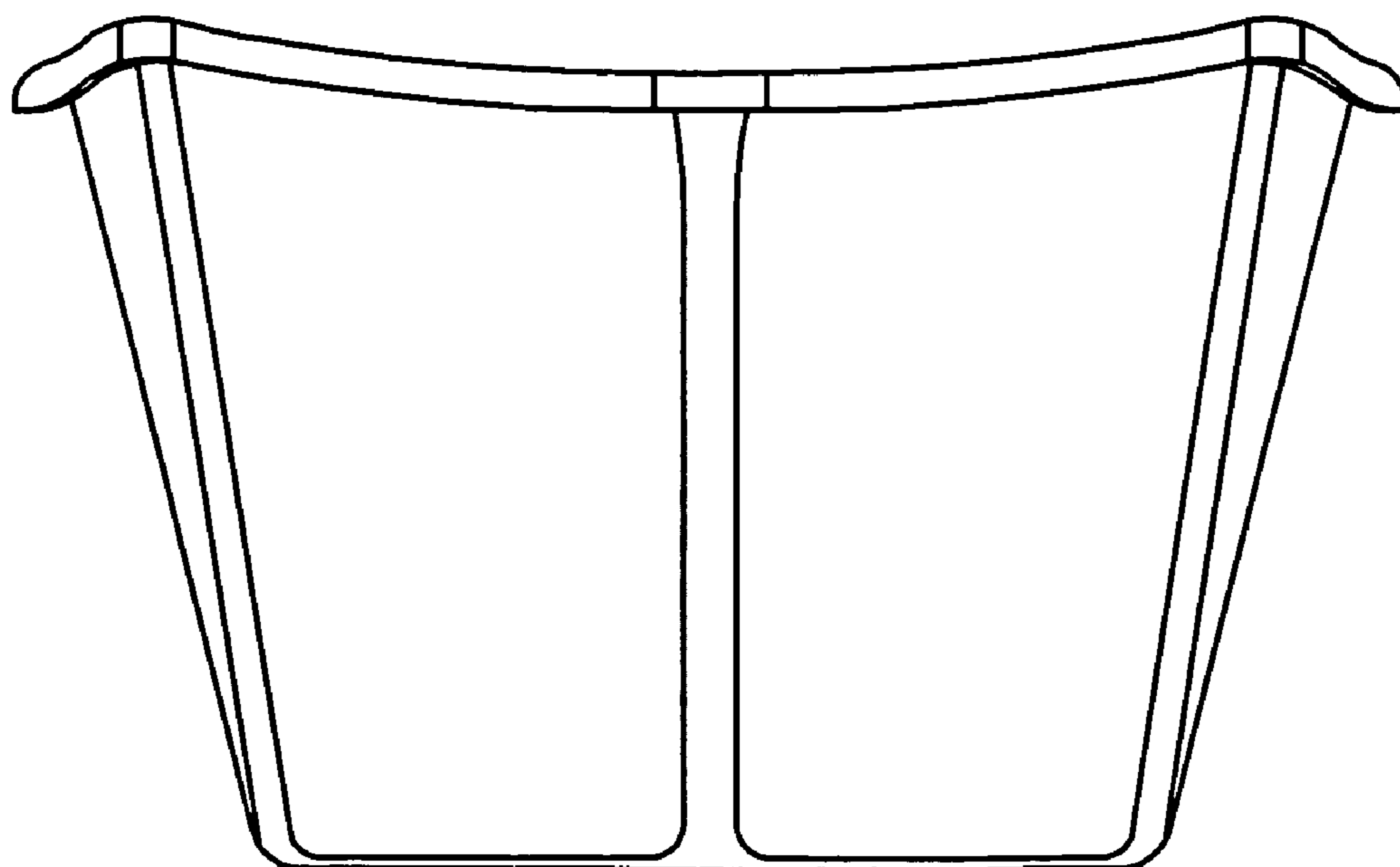


FIG. 7