



US00D600326S

(12) **United States Design Patent**
Gibb et al.

(10) **Patent No.:** **US D600,326 S**

(45) **Date of Patent:** **** *Sep. 15, 2009**

(54) **PIPE COUPLING**

(75) Inventors: **John Gibb**, Beeton (CA); **Douglas R. Dole**, Whitehouse Station, NJ (US); **Michael V. Porter**, Easton, PA (US); **William A. Nagle**, Laureldale, PA (US)

(73) Assignee: **Victaulic Company**, Easton, PA (US)

(*) Notice: This patent is subject to a terminal disclaimer.

(**) Term: **14 Years**

(21) Appl. No.: **29/296,140**

(22) Filed: **Oct. 15, 2007**

Related U.S. Application Data

(62) Division of application No. 29/232,362, filed on Jun. 17, 2005, now Pat. No. Des. 558,307.

(51) **LOC (9) Cl.** **23-01**

(52) **U.S. Cl.** **D23/265**

(58) **Field of Classification Search** D23/262-265;
285/1, 53, 104-105, 404, 112, 340, 367,
285/373, 915; 403/300, 291; D8/396; 411/5,
411/10

See application file for complete search history.

(56) **References Cited**

U.S. PATENT DOCUMENTS

1,851,574 A	3/1932	Fiederlein	285/332
1,905,324 A	4/1933	Waters	285/104
1,930,194 A	10/1933	Dillon	285/104
2,020,554 A	11/1935	Johnson	285/383
D142,057 S	8/1945	Baxter	D23/265
D168,928 S	3/1953	English	D23/265
2,650,115 A	8/1953	Hall	285/105
2,752,173 A	6/1956	Krooss	285/129
3,078,108 A	2/1963	Smith	285/104
4,218,080 A	8/1980	Kendrick	285/347
4,408,788 A	10/1983	Beukema	285/419
4,417,755 A	11/1983	Gittleman	285/373

D287,532 S	12/1986	Jones et al.	D23/265
D298,802 S	12/1988	Tekirian	D8/396
4,896,902 A	1/1990	Weston	285/93
4,966,395 A	10/1990	Hendrickson	285/12
5,058,931 A	10/1991	Bowsher	285/112
5,911,446 A	6/1999	McLennan et al.	285/104
6,076,861 A	6/2000	Ikeda	285/112
6,312,025 B1	11/2001	Wolfsdorf	285/369
6,626,466 B1	9/2003	Dole	285/112
7,090,259 B2	8/2006	Dole	285/367
D568,971 S *	5/2008	Gibb et al.	D23/262
D570,458 S *	6/2008	Gibb et al.	D23/262
D583,444 S *	12/2008	Nagle et al.	D23/262
D583,914 S *	12/2008	Pierce et al.	D23/262
D583,916 S *	12/2008	Madara et al.	D23/265
2005/0242585 A1	11/2005	Dole	285/367

OTHER PUBLICATIONS

U.S. Appl. No. 29/232,362, filed Jun. 17, 2005, (Gibb et al).
U.S. Appl. No. 29/232,359, filed Jun. 17, 2005, (Gibb et al).
Asian Sources Hardwares by Catic Shenzhen Corp. dated Apr. 2005
(2 pages).

* cited by examiner

Primary Examiner—T. Chase Nelson

Assistant Examiner—Eric L Goodman

(74) *Attorney, Agent, or Firm*—Ballard Spahr Andrews and
Ingersoll, LLP

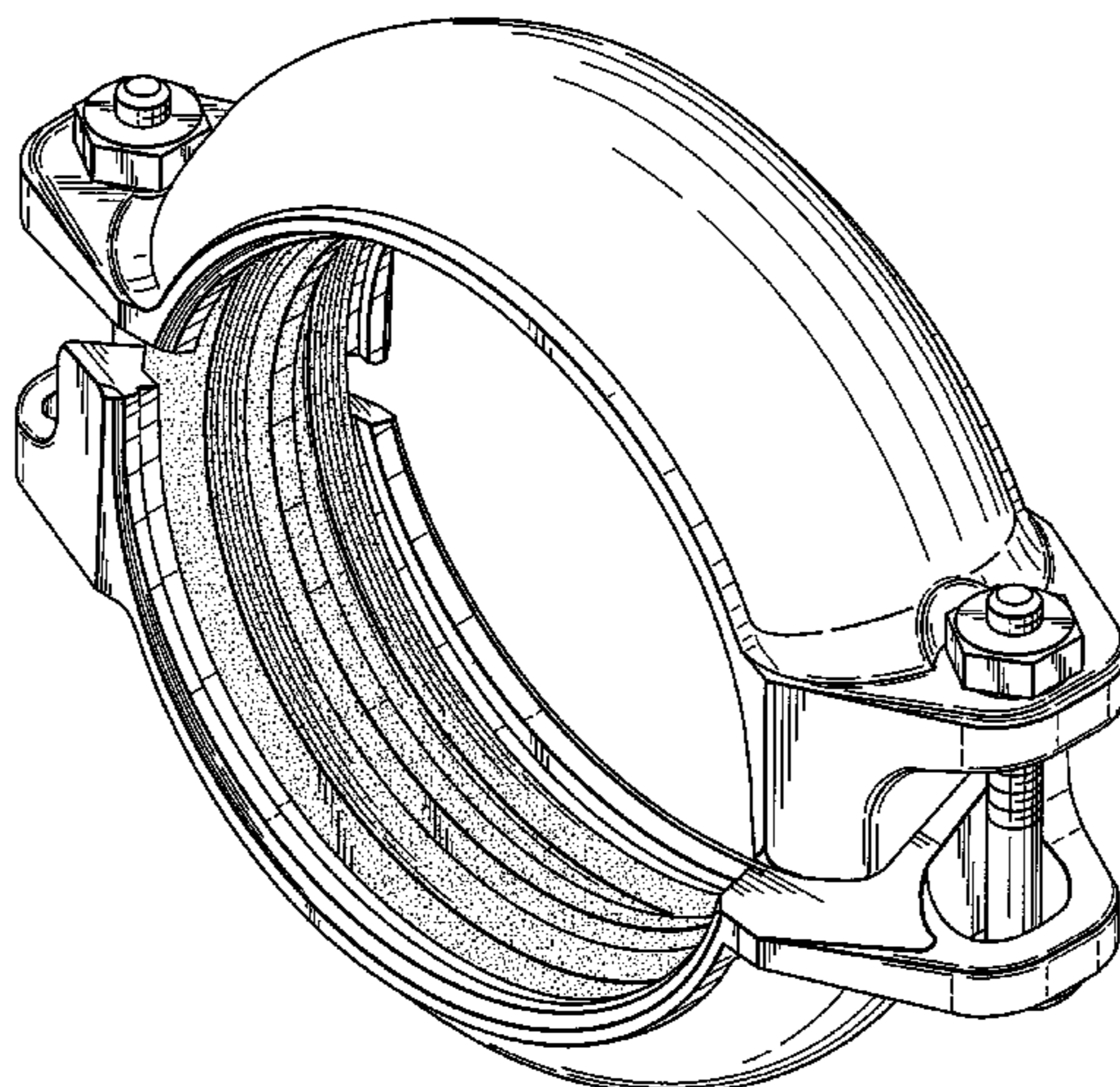
(57) **CLAIM**

We claim the ornamental design for a pipe coupling, as shown
and described.

DESCRIPTION

FIG. 1 is a perspective view of our design for a pipe coupling;
FIG. 2 is an end view of the pipe coupling shown in FIG. 1, the
opposite end view being identical thereto;
FIG. 3 is a side view of the pipe coupling shown in FIG. 1, the
opposite side view being identical thereto;
FIG. 4 is a top view of the pipe coupling shown in FIG. 1; and,
FIG. 5 is a bottom view of the pipe coupling shown in FIG. 1.

1 Claim, 3 Drawing Sheets



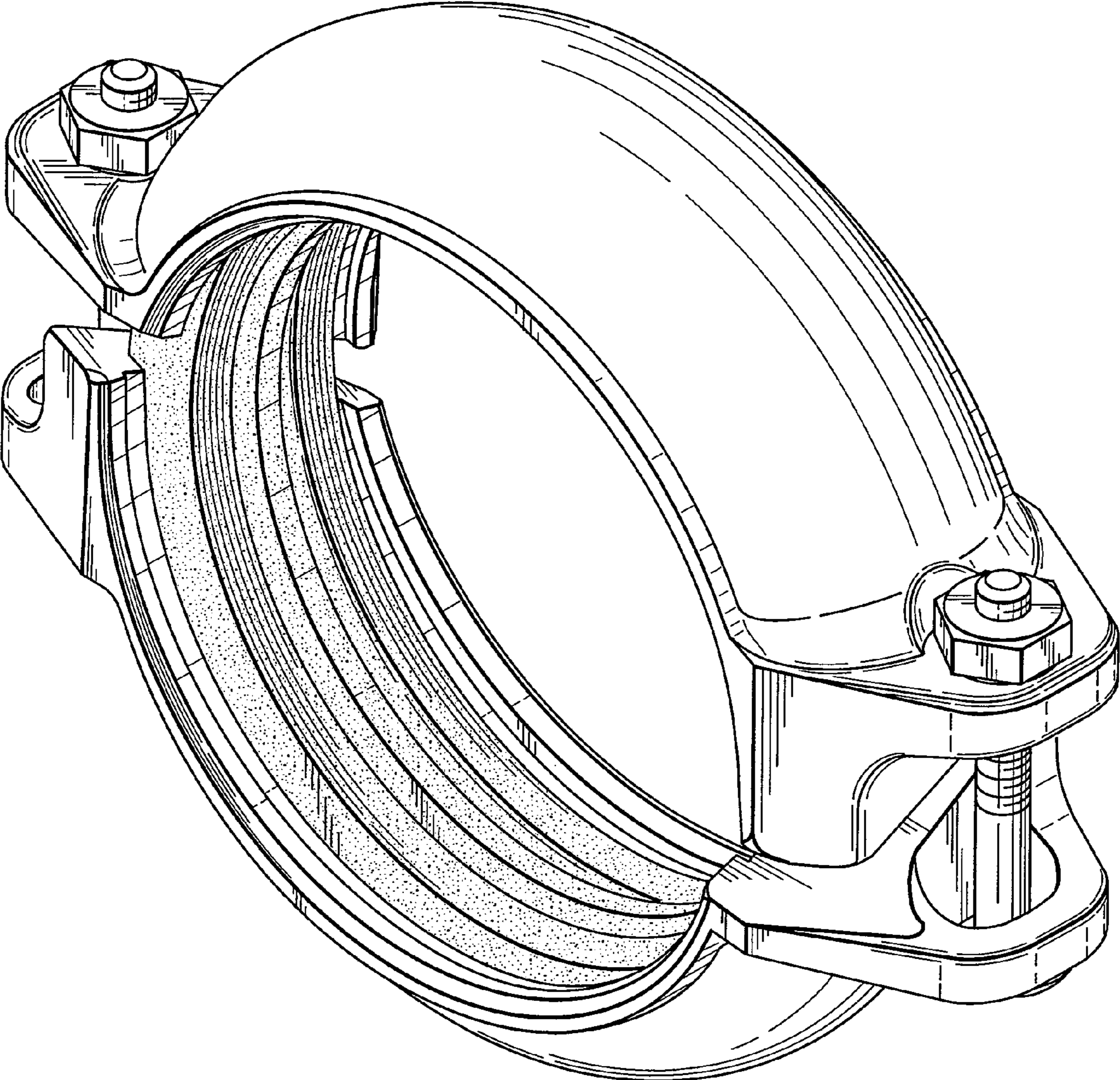


FIG. 1

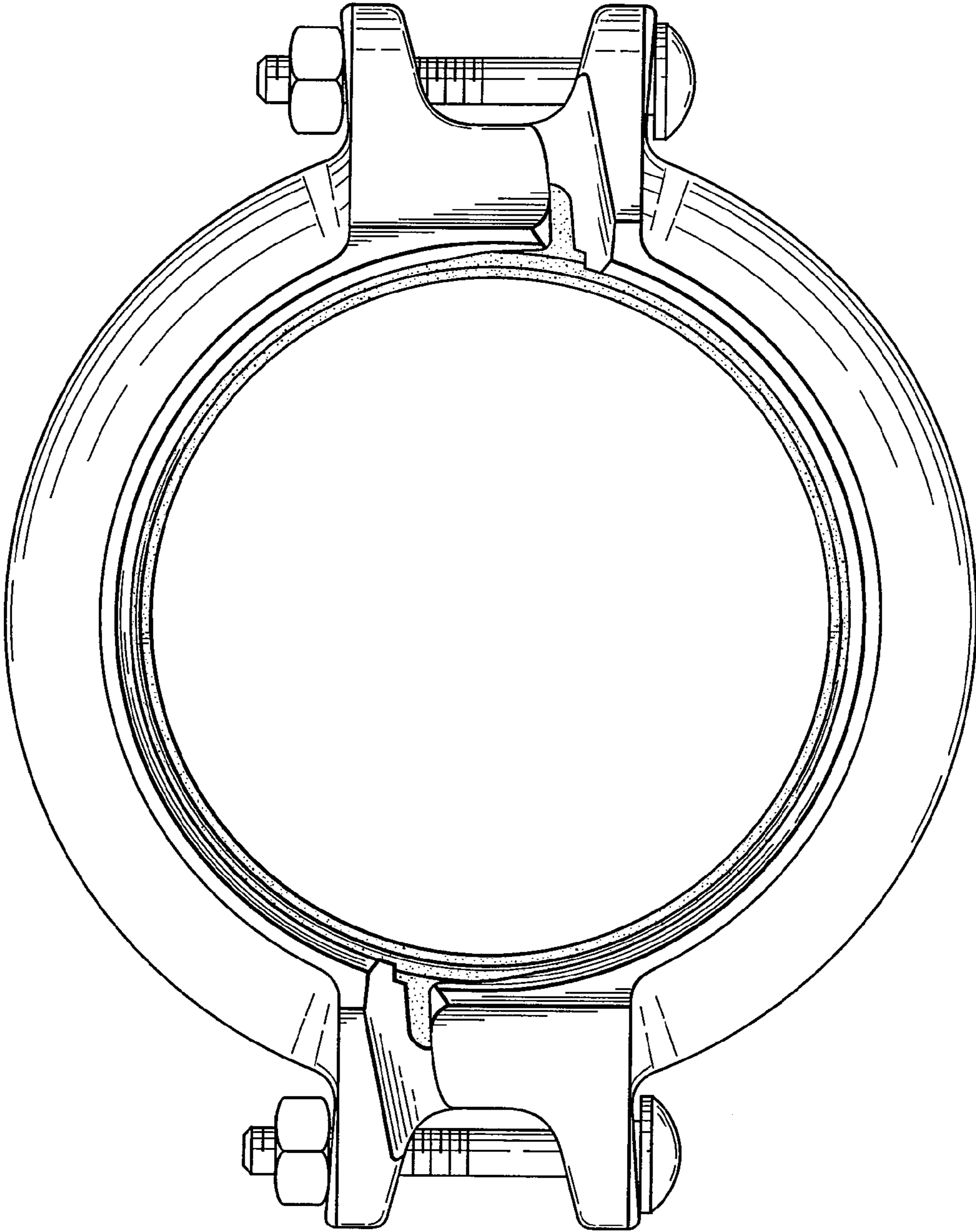


FIG. 2

FIG. 4

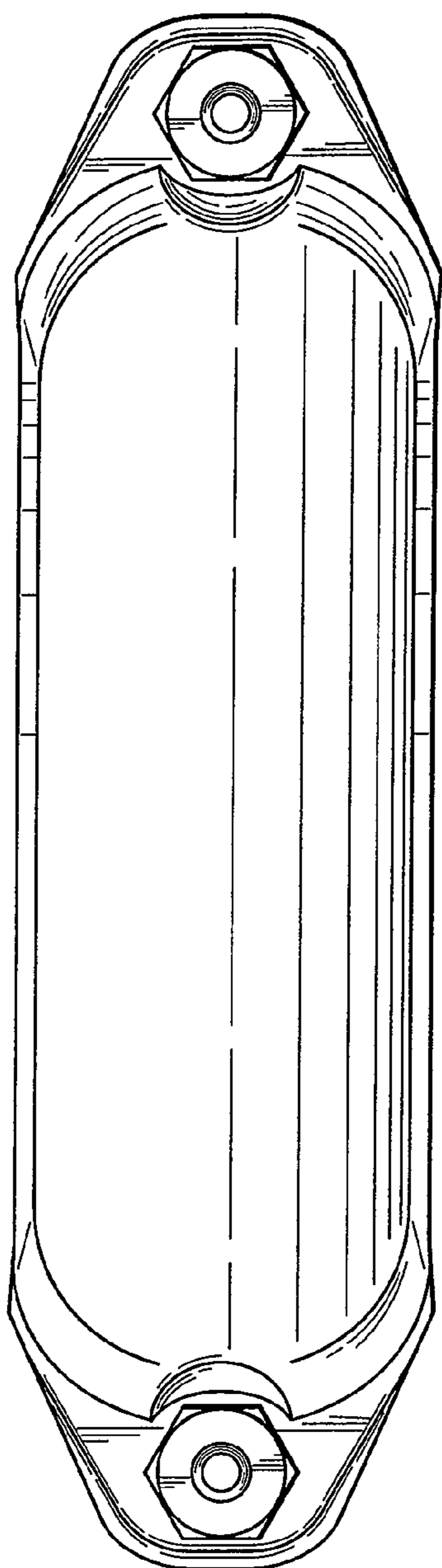


FIG. 5

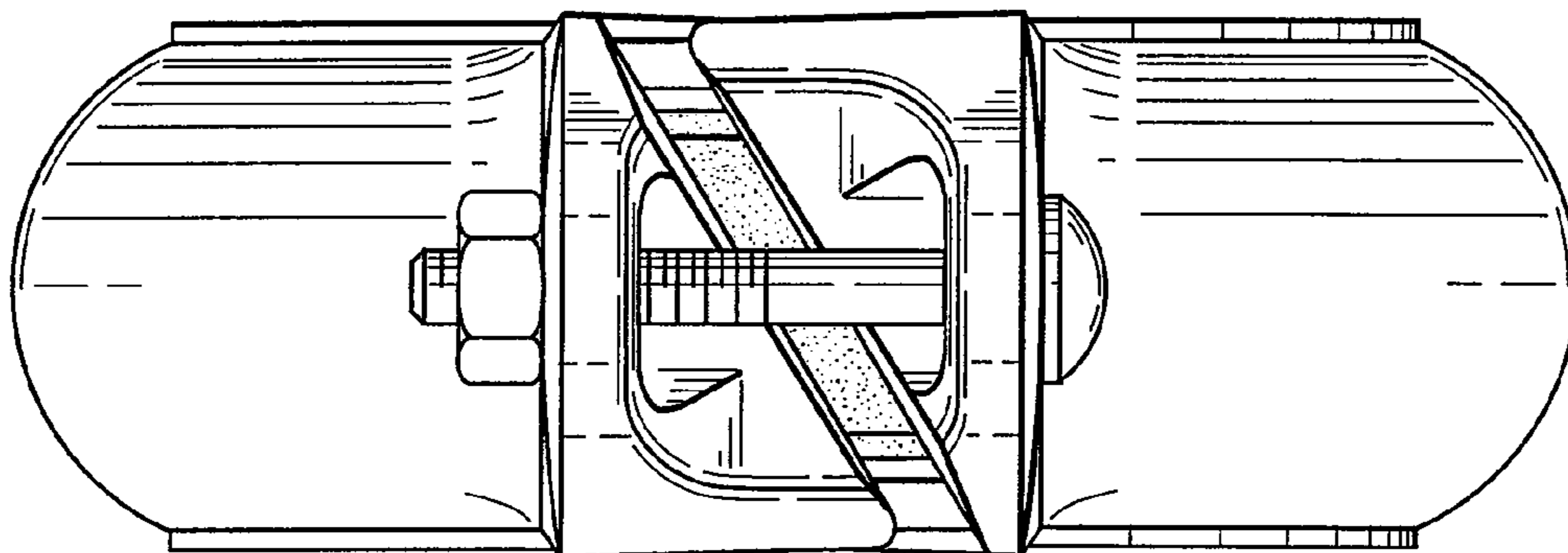
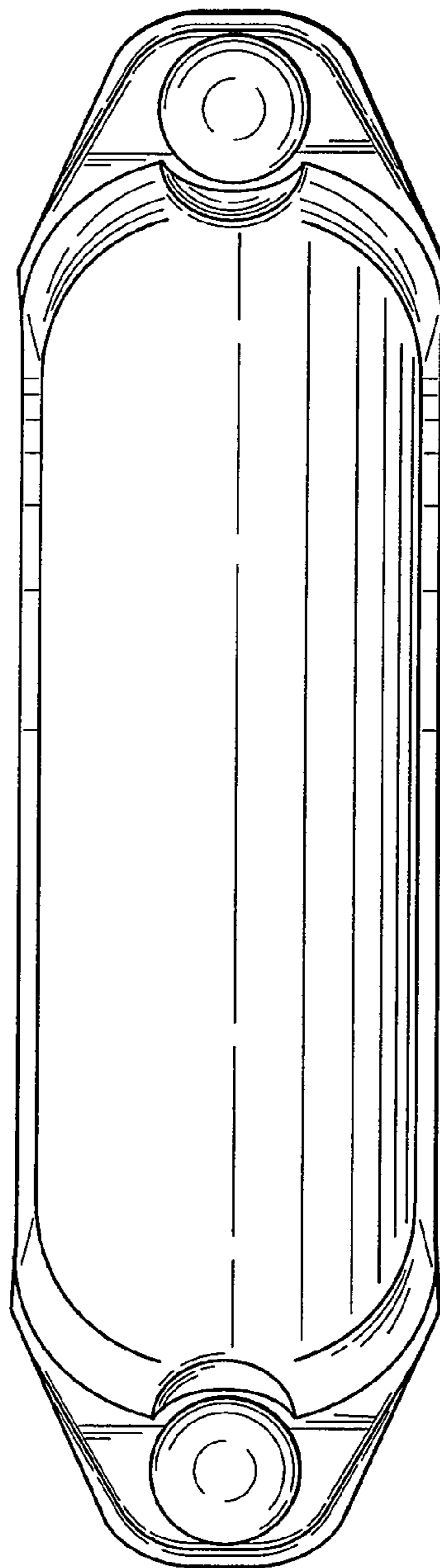


FIG. 3