



US00D600322S

(12) **United States Design Patent**
Forsythe

(10) **Patent No.:** **US D600,322 S**
(45) **Date of Patent:** **** Sep. 15, 2009**

(54) **BLOWOUT PLUG**

(76) **Inventor:** **Nathan A. Forsythe**, 46 Hilton Ave.,
Riverside, RI (US) 02915

(**) **Term:** **14 Years**

(21) **Appl. No.:** **29/317,802**

(22) **Filed:** **May 7, 2008**

(51) **LOC (9) Cl.** **23-01**

(52) **U.S. Cl.** **D23/260**

(58) **Field of Classification Search** D23/259-269;
238/370-372, 89-91, 94; 138/91, 94; 285/121-122,
285/126, 129, 175

See application file for complete search history.

(56) **References Cited**

U.S. PATENT DOCUMENTS

1,948,056	A *	2/1934	Thompson	122/504.3
2,564,402	A *	8/1951	MacArthur	134/166 C
3,715,099	A	2/1973	Shendure		
3,761,117	A	9/1973	Shendure		
3,895,466	A *	7/1975	Melton	29/890.14
4,716,875	A *	1/1988	Troncoso, Jr.	123/469
4,765,173	A *	8/1988	Schellstede	72/325
5,373,869	A *	12/1994	Zdrok	138/90
D363,767	S *	10/1995	Swaim	D23/260
D375,786	S *	11/1996	Morris	D23/260

D404,472	S	1/1999	Tickle		
6,170,530	B1 *	1/2001	Steblina	136/89
6,431,215	B1 *	8/2002	Hsu	138/89
6,494,463	B1 *	12/2002	Rank	277/607
6,702,254	B2	3/2004	Noble et al.		
6,757,950	B2 *	7/2004	Malone	29/235
2002/0134447	A1 *	9/2002	Devers	138/89

* cited by examiner

Primary Examiner—T. Chase Nelson
Assistant Examiner—Eric L Goodman

(74) *Attorney, Agent, or Firm*—Cesari and McKenna, LLP;
James M. Behmke

(57) **CLAIM**

The ornamental design for a blowout plug, as shown and described.

DESCRIPTION

FIG. 1 is an isometric view of a blowout plug embodying my new design;

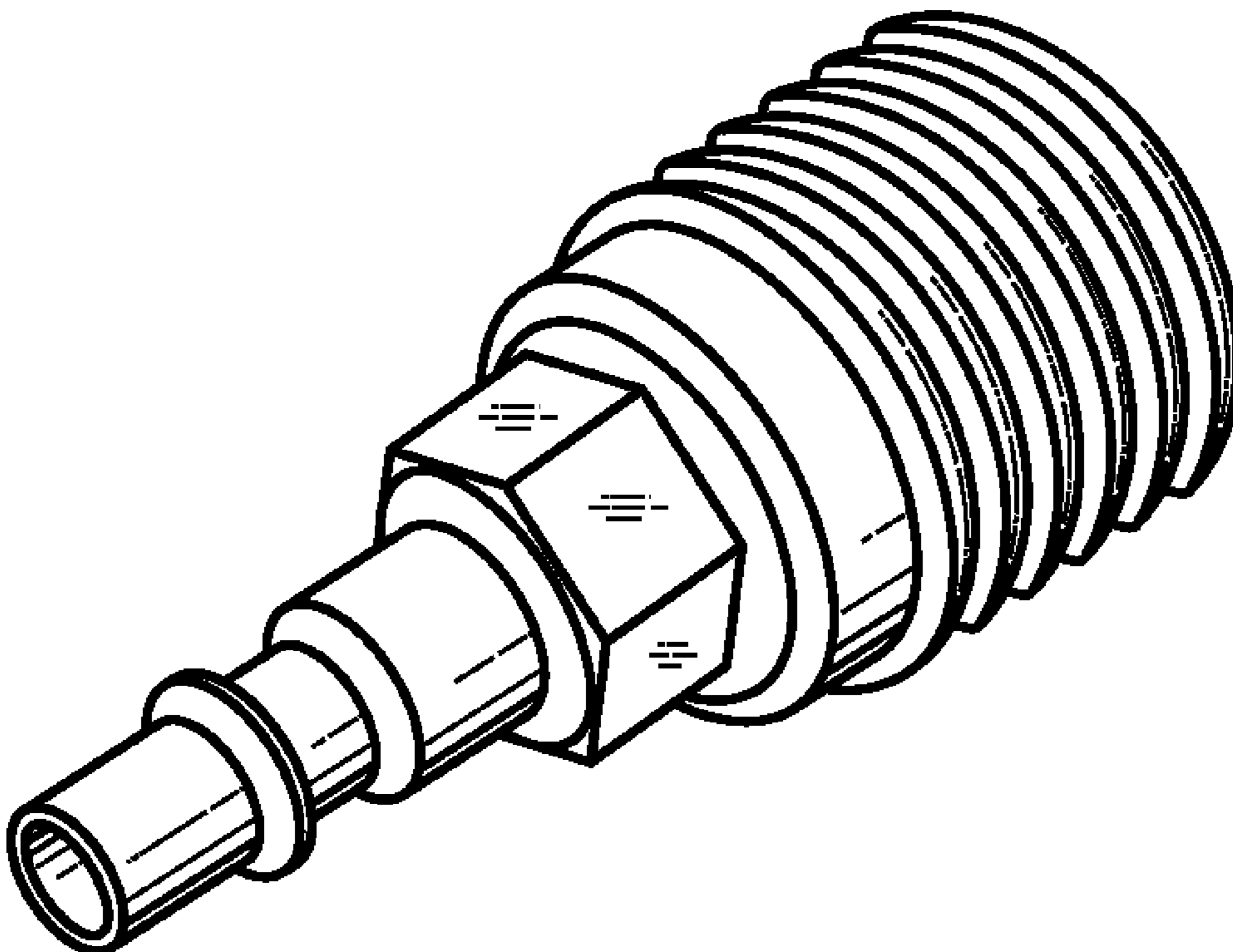
FIG. 2 is a sectional view taken along line 2—2 as shown in FIG. 4.

FIG. 3 is a side elevation view thereof;

FIG. 4 is a top plan view thereof; and,

FIG. 5 is bottom plan view thereof.

1 Claim, 2 Drawing Sheets



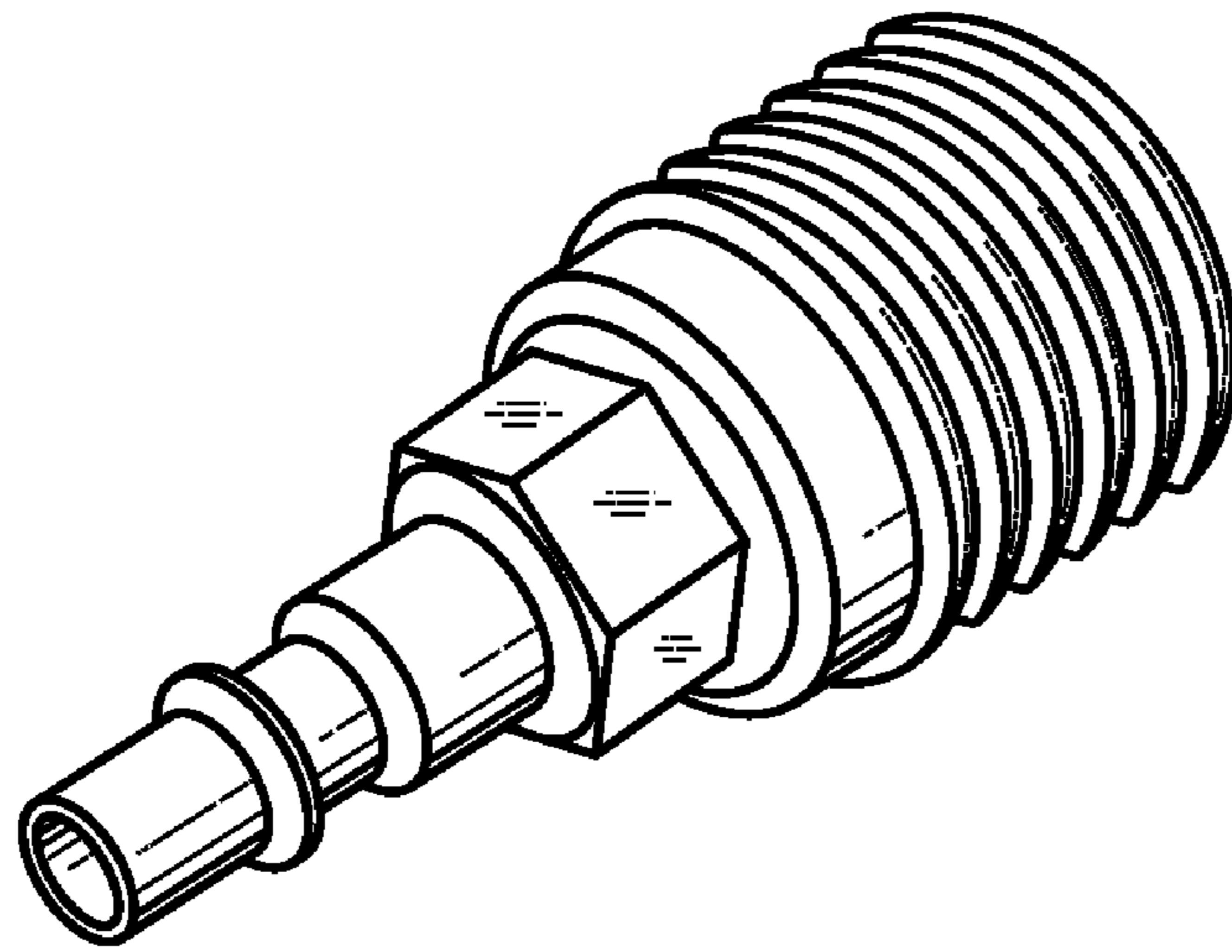


FIG. 1

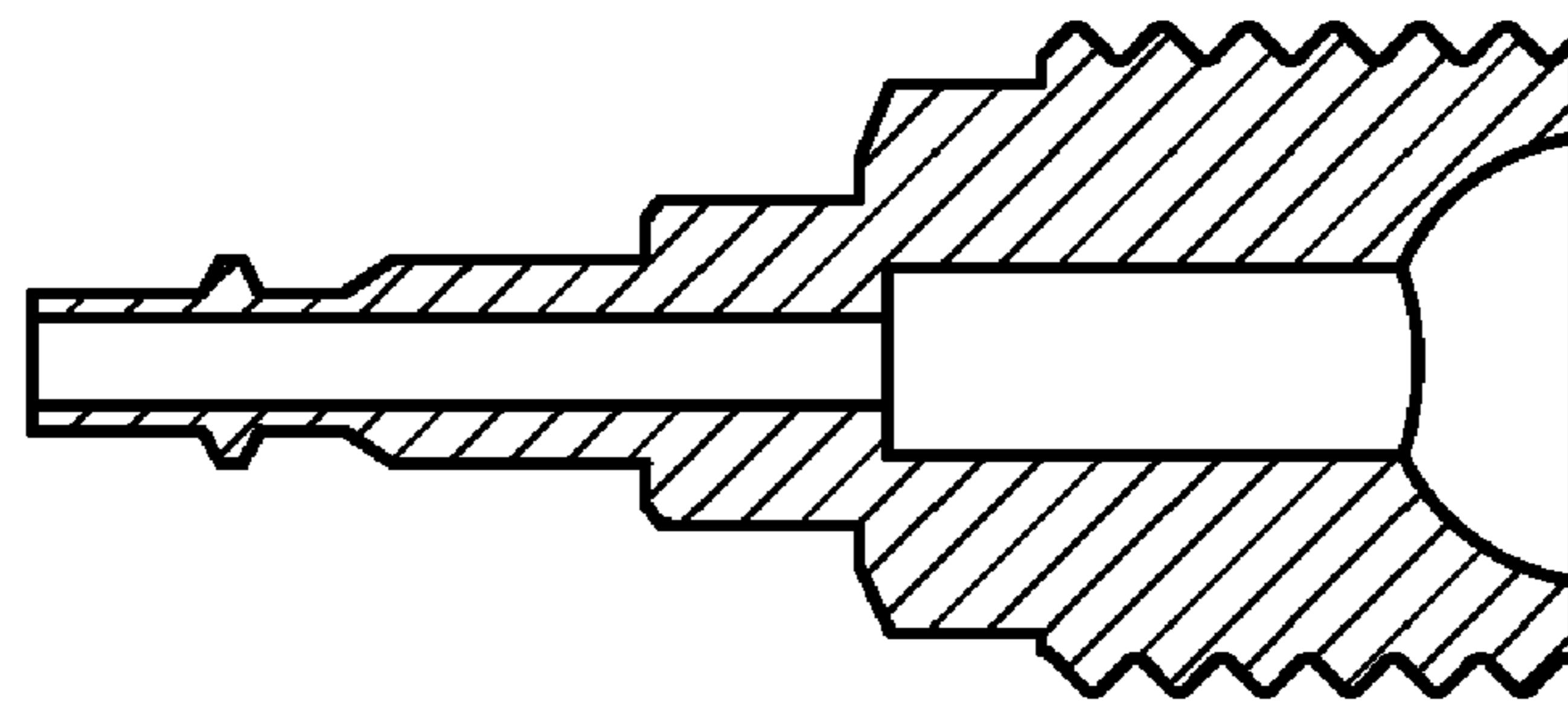


FIG. 2

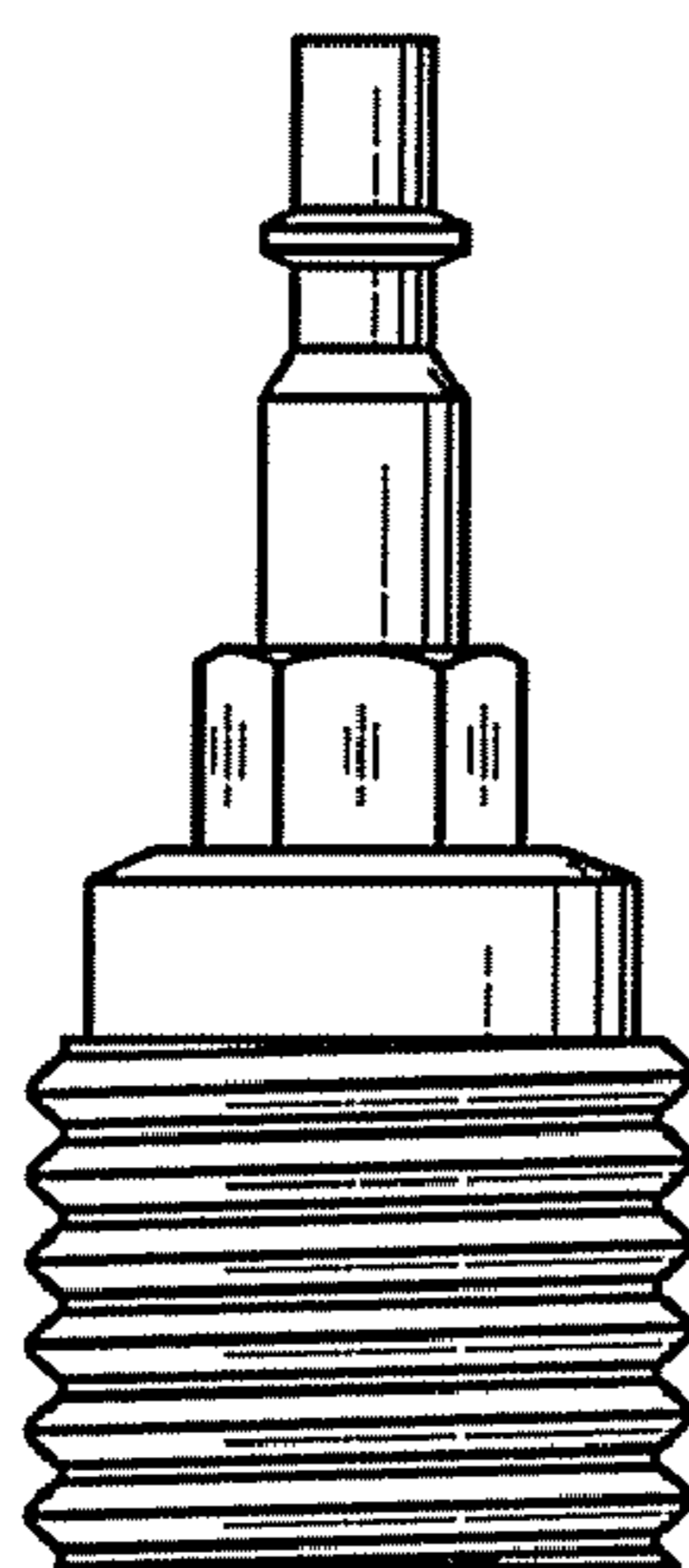


FIG. 3

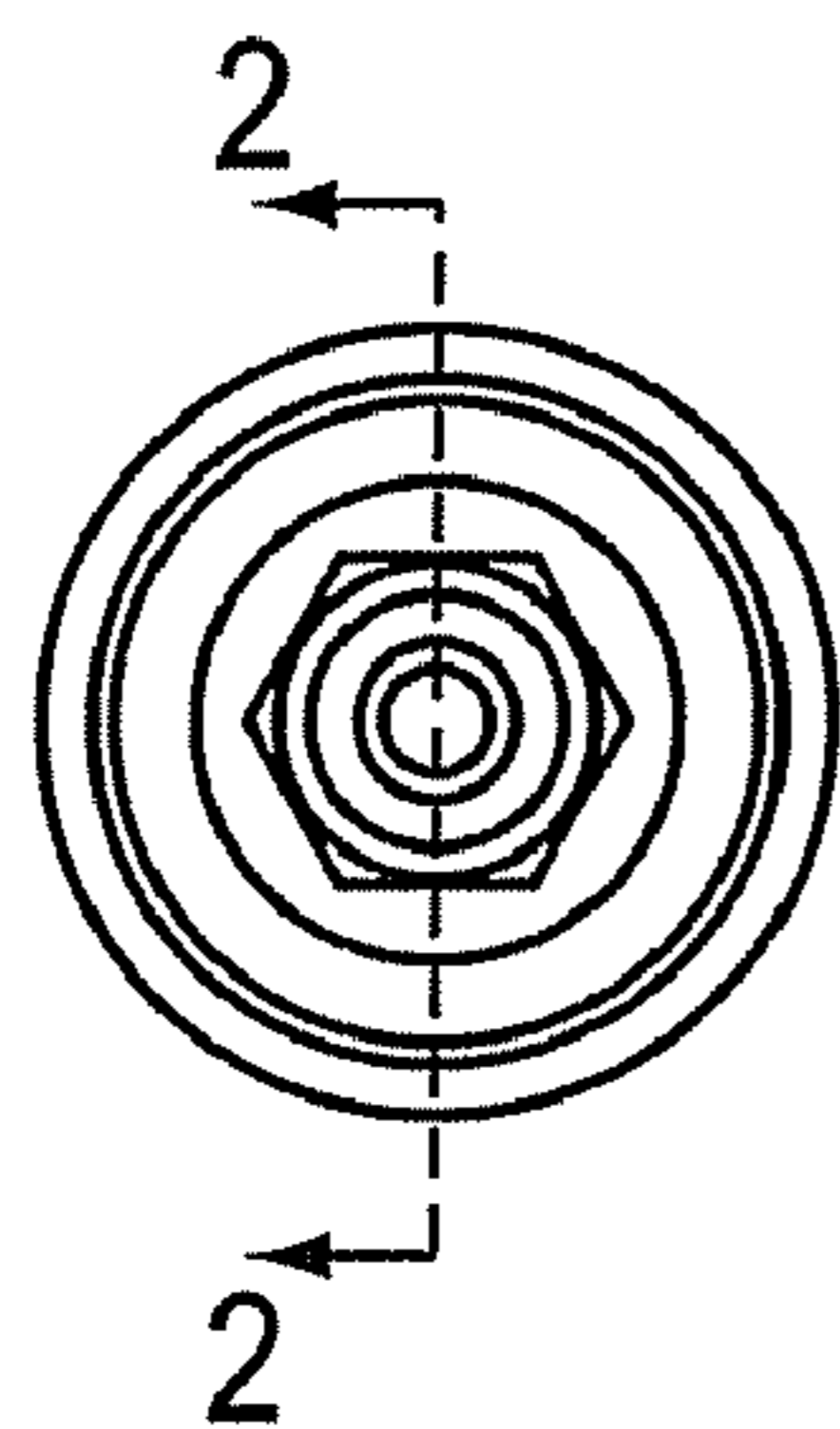


FIG. 4

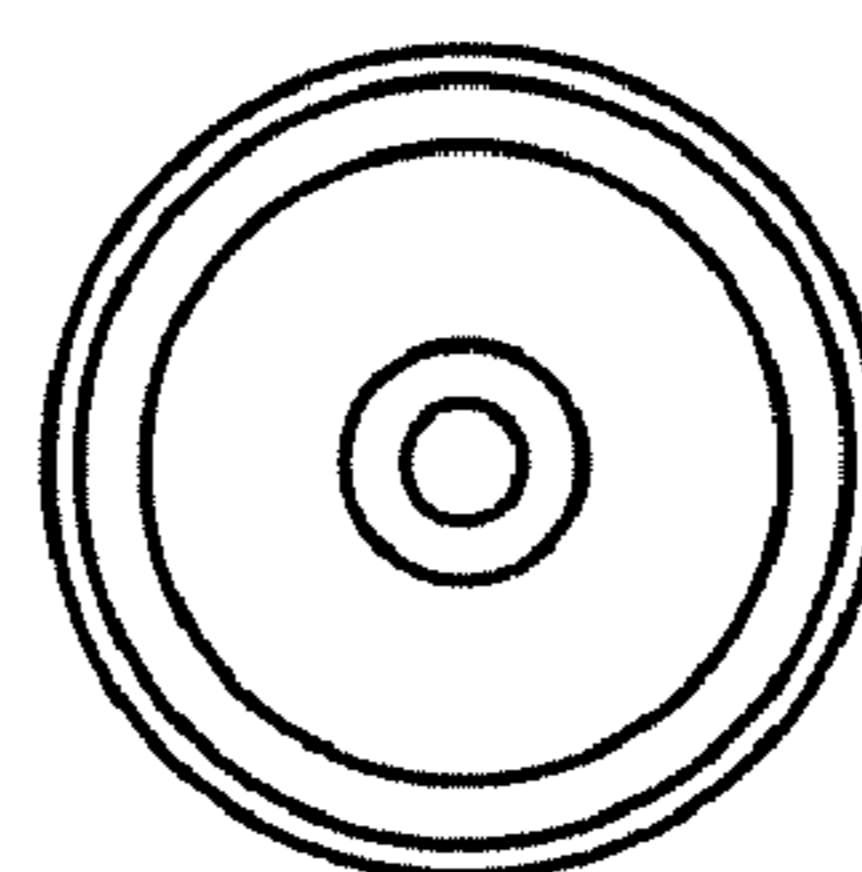


FIG. 5