



US00D600320S

(12) **United States Design Patent**
Miyamoto et al.

(10) **Patent No.:** **US D600,320 S**

(45) **Date of Patent:** **** Sep. 15, 2009**

(54) **FAUCET AND HANDLE SET**

D492,013 S * 6/2004 Citterio D23/255
D541,906 S * 5/2007 Qing D23/238

(75) Inventors: **Takeaki Miyamoto**, Kitakyusyu (JP);
Atsushi Toyohara, Kitakyusyu (JP)

* cited by examiner

(73) Assignee: **Toto Ltd.**, Kitakyusyu-Shi (JP)

Primary Examiner—Robert A Delehanty

(**) Term: **14 Years**

(74) *Attorney, Agent, or Firm*—Birch, Stewart, Kolasch &
Birch, LLP

(21) Appl. No.: **29/317,346**

(57) **CLAIM**

(22) Filed: **Apr. 28, 2008**

The ornamental design for a faucet and handle set, as shown
and described.

(30) **Foreign Application Priority Data**

Mar. 3, 2008 (JP) 2008-005015

DESCRIPTION

(51) **LOC (9) Cl.** **23-01**

(52) **U.S. Cl.** **D23/238**

(58) **Field of Classification Search** D23/239–243,
D23/250–254, 255–257; 4/675–678; 137/801;
16/11.1; D8/300, 307–312; D6/512, 524,
D6/546, 550

FIG. 1 is a perspective view of the top, front and right side of
a faucet and handle set showing our new design;

FIG. 2 is front view thereof;

FIG. 3 is a rear view thereof;

FIG. 4 is a top plan view thereof;

FIG. 5 is a bottom view thereof; and,

FIG. 6 is a right side view thereof, the left side view is mirror
image thereof.

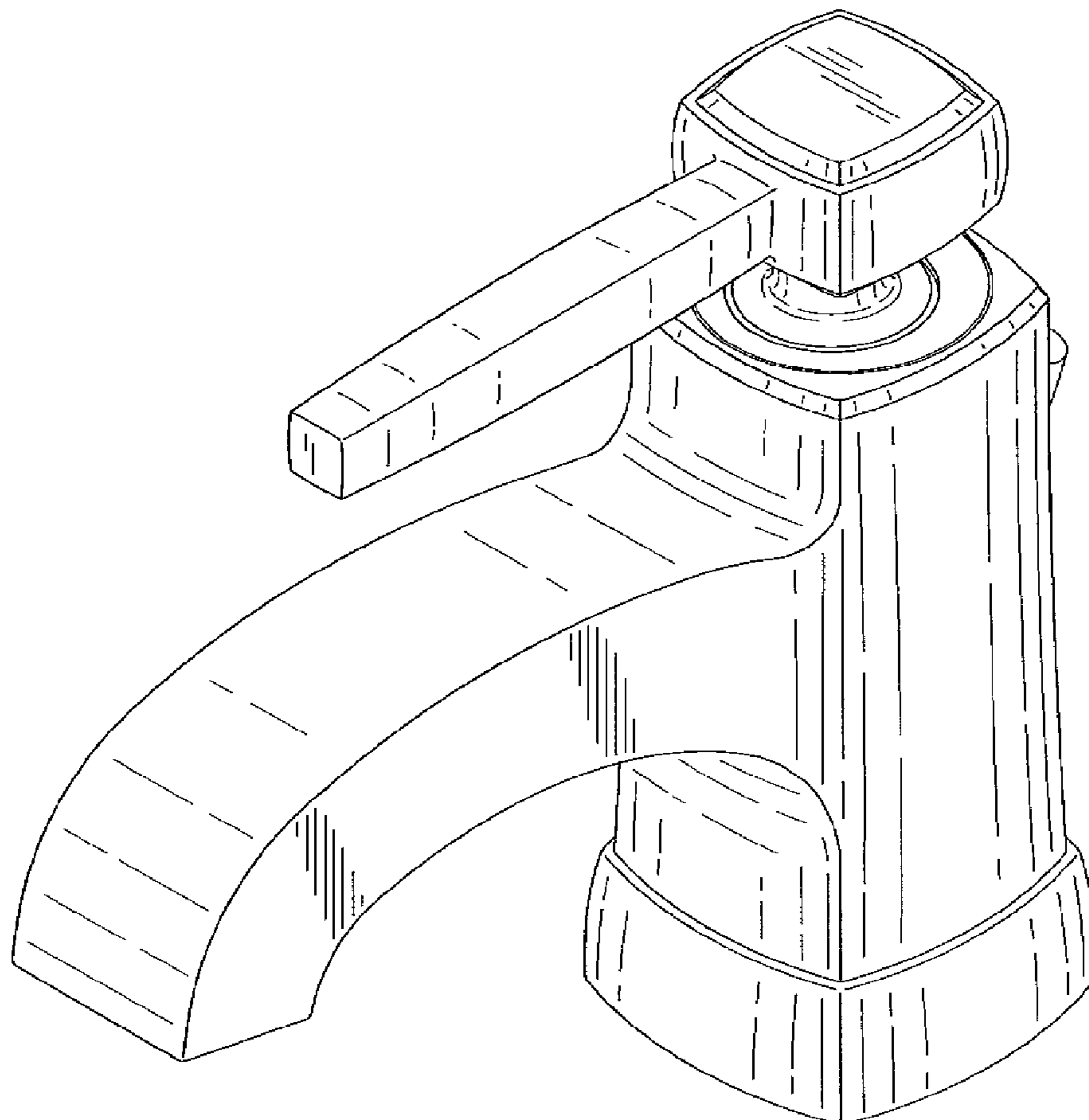
See application file for complete search history.

(56) **References Cited**

U.S. PATENT DOCUMENTS

4,678,002 A * 7/1987 Valley 137/315.14

1 Claim, 4 Drawing Sheets



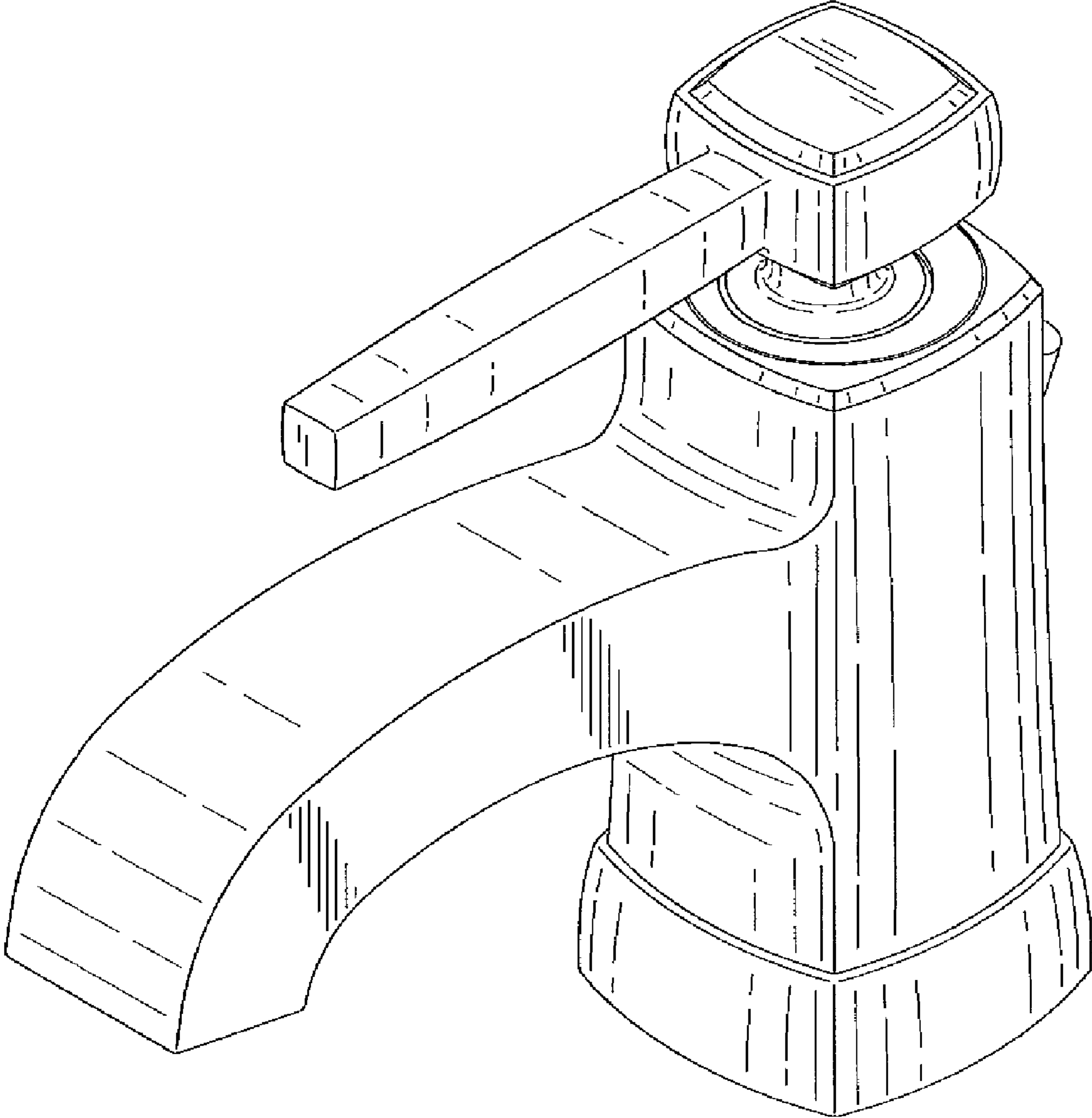


FIG. 1

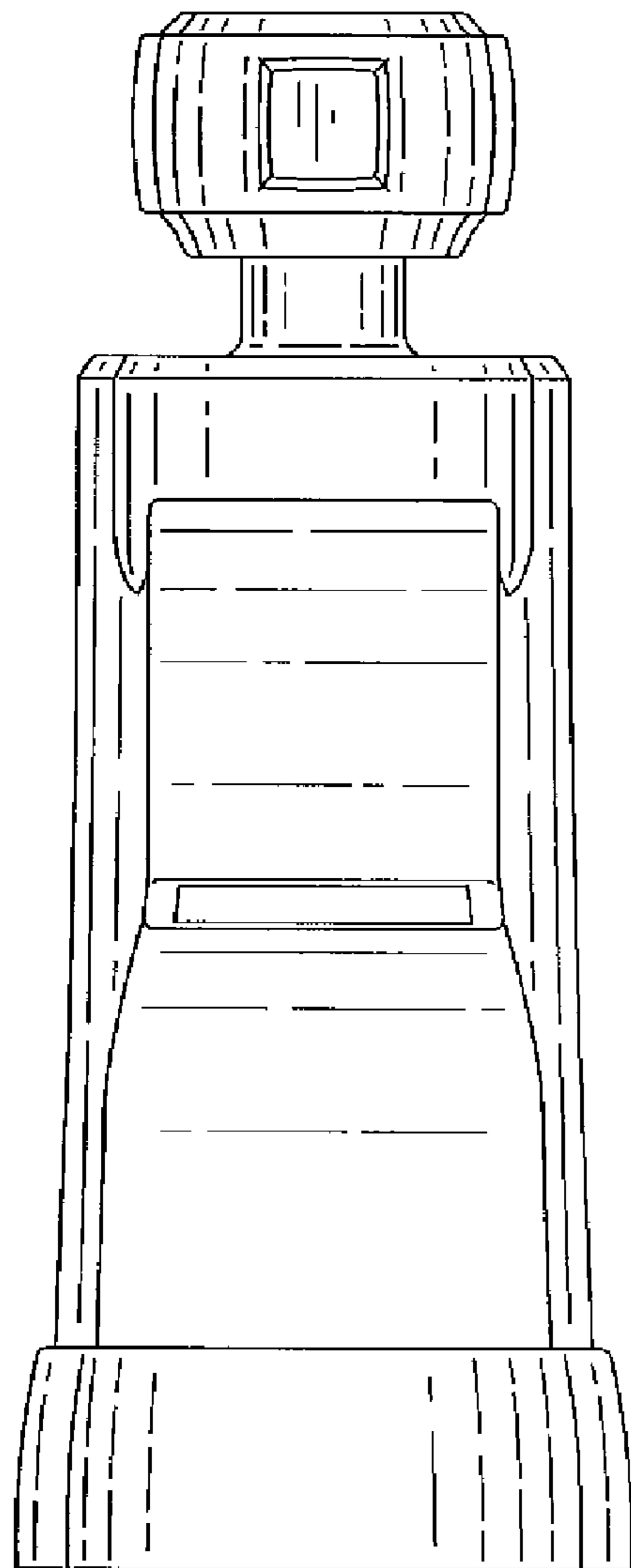


FIG. 2

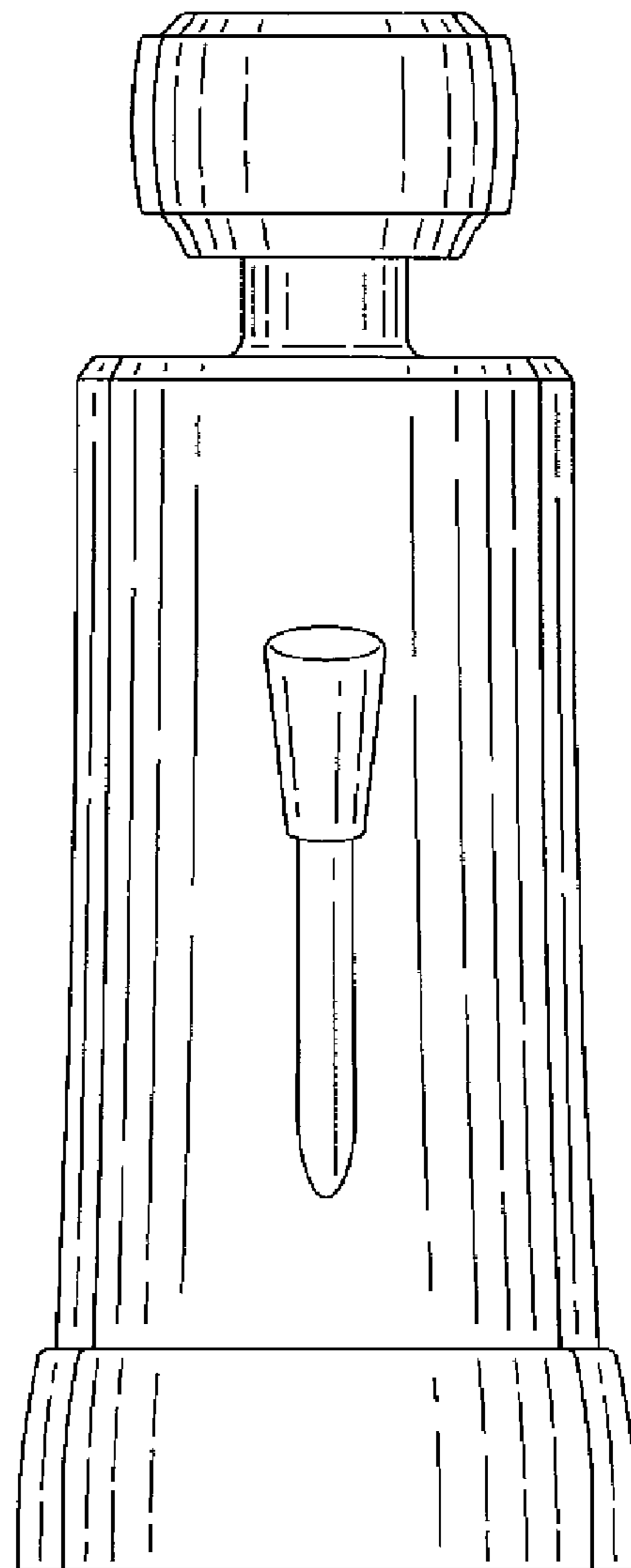


FIG. 3

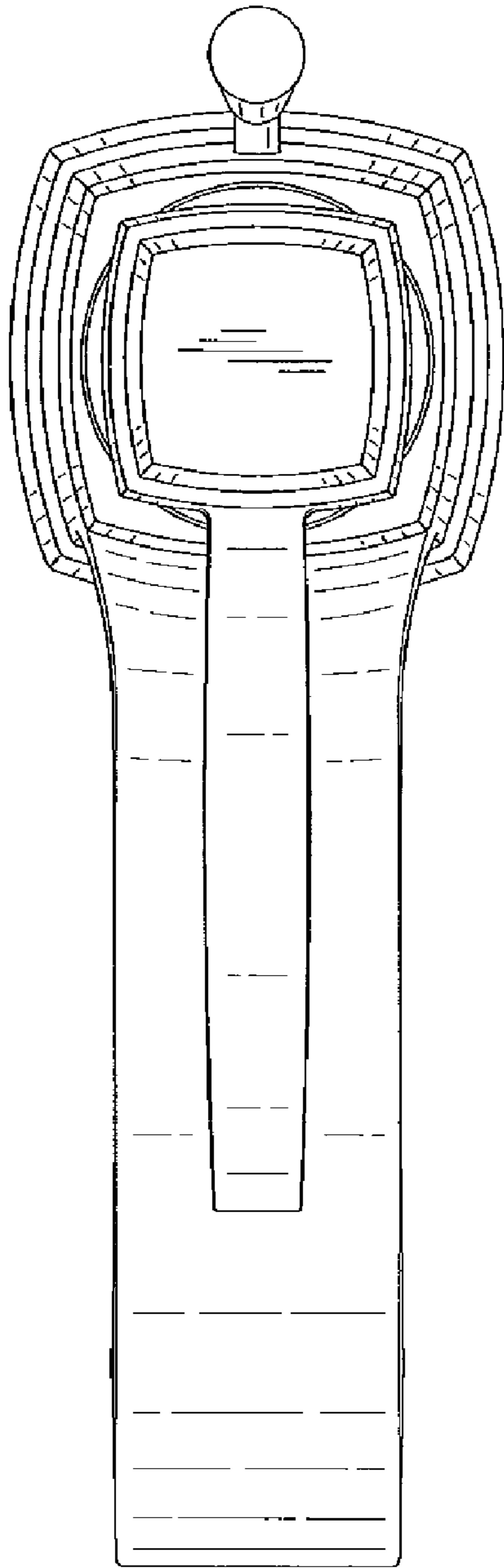


FIG. 4

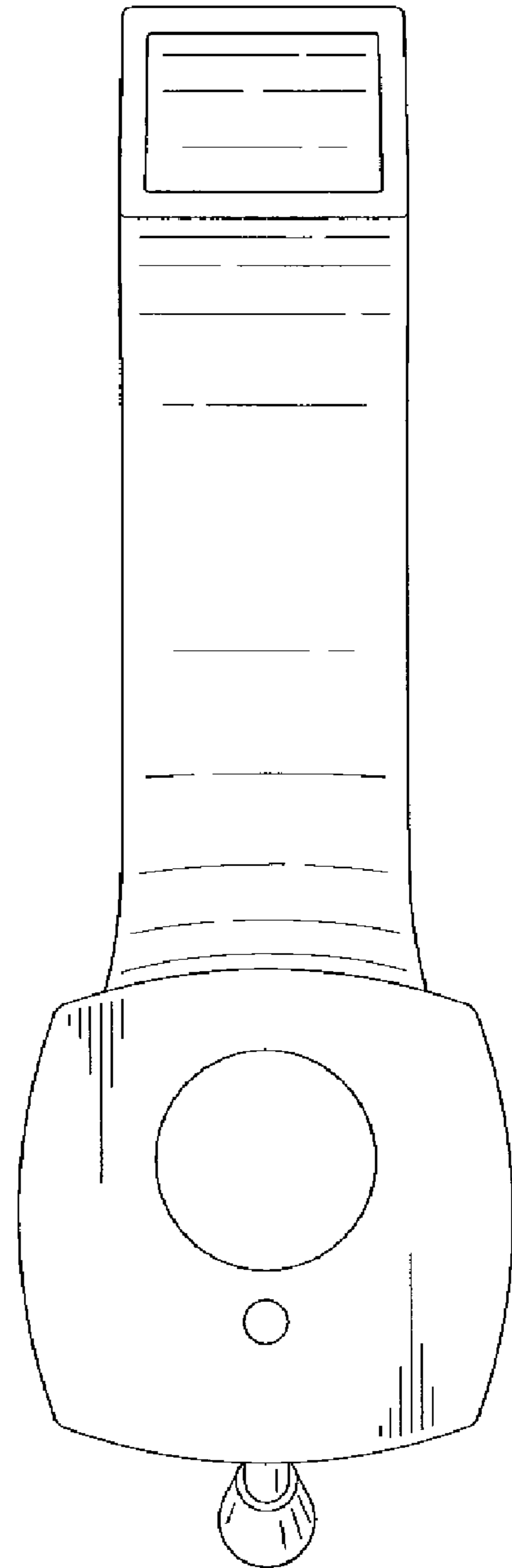


FIG. 5

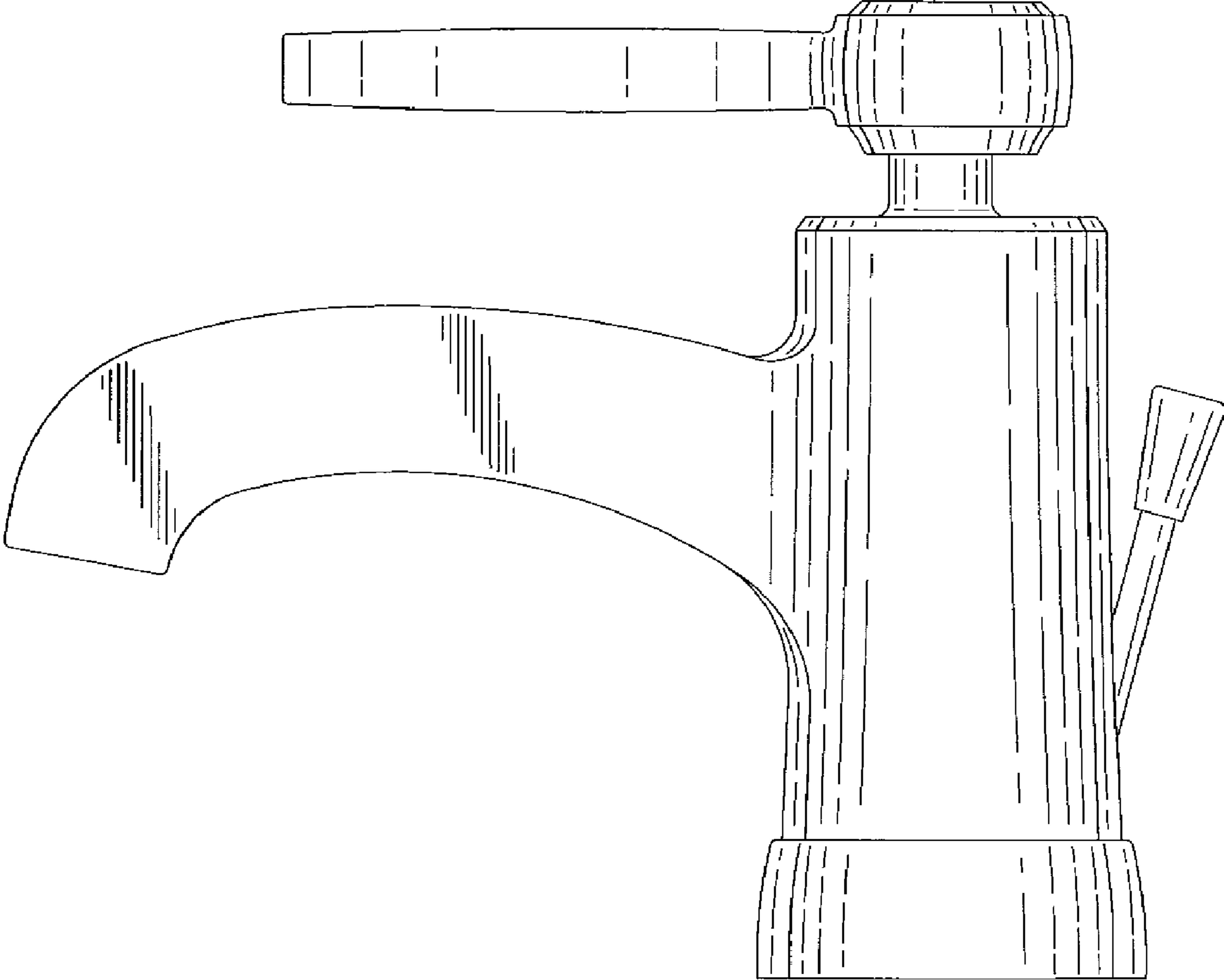


FIG. 6