



US00D600317S

(12) **United States Design Patent**
Enever et al.

(10) **Patent No.:** **US D600,317 S**
(45) **Date of Patent:** **** Sep. 15, 2009**

(54) **DISPENSER**

(75) Inventors: **Simon Enever**, Bristol (GB); **Chris Padain**, Montvale, NJ (US); **Tom Walker**, Bristol (GB); **Craig Wightman**, Bristol (GB)

(73) Assignee: **Reckitt Benckiser Inc.**, Parsippany, NJ (US)

(**) Term: **14 Years**

(21) Appl. No.: **29/330,878**

(22) Filed: **Jan. 15, 2009**

(30) **Foreign Application Priority Data**

Jul. 24, 2008 (EM) 000976311-0001

(51) **LOC (9) Cl.** **23-01**

(52) **U.S. Cl.** **D23/208**

(58) **Field of Classification Search** D23/207, D23/208; 4/223, 225.1, 227.1, 231
See application file for complete search history.

(56) **References Cited**

U.S. PATENT DOCUMENTS

D92,428 S * 6/1934 Saeks D23/208
D273,607 S * 4/1984 Joyaux et al. D23/208
D476,056 S * 6/2003 Woolley et al. D23/208

6,591,431 B2 * 7/2003 Hautmann et al. 4/231
6,895,605 B2 * 5/2005 Pagani 4/231
D508,549 S * 8/2005 Keramidas D23/208
6,976,277 B2 * 12/2005 Keramidas 4/231
D540,907 S * 4/2007 Liu D23/208
D573,687 S * 7/2008 Hill D23/208

* cited by examiner

Primary Examiner—Robin V Webster

(57) **CLAIM**

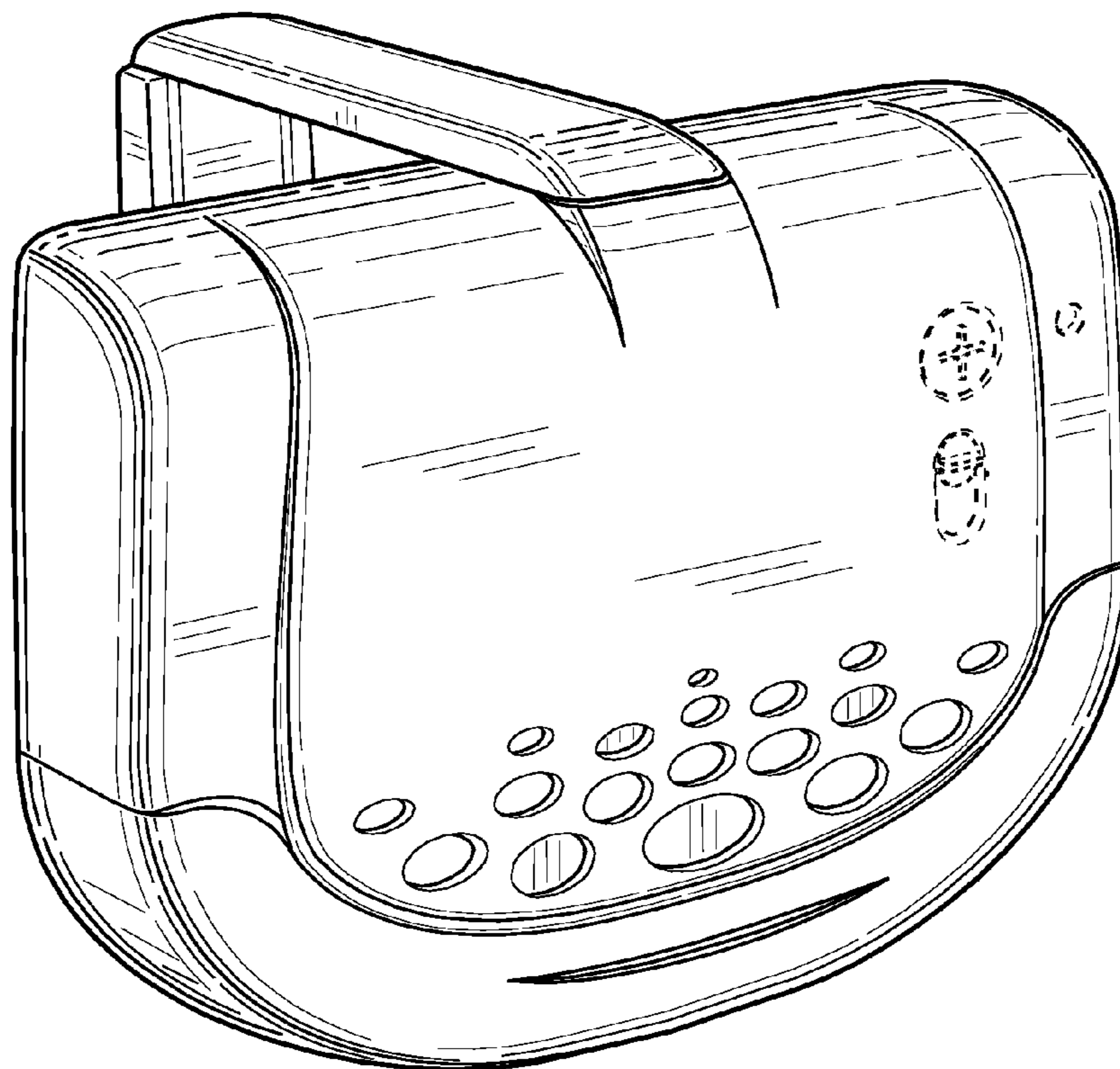
The ornamental design for a dispenser, as shown and described.

DESCRIPTION

FIG. 1 is front perspective view of our dispenser;
FIG. 2 is an elevation view of the front thereof;
FIG. 3 is an elevation view of the rear thereof;
FIG. 4 is a plan view of the top thereof;
FIG. 5 is a plan view of the bottom thereof;
FIG. 6 is an elevation view of the right side thereof; and,
FIG. 7 is an elevation view of the left side thereof.

The broken line showing of the elements on the front of the dispenser is included for the purpose of illustrating and forms no part of the claimed design.

1 Claim, 4 Drawing Sheets



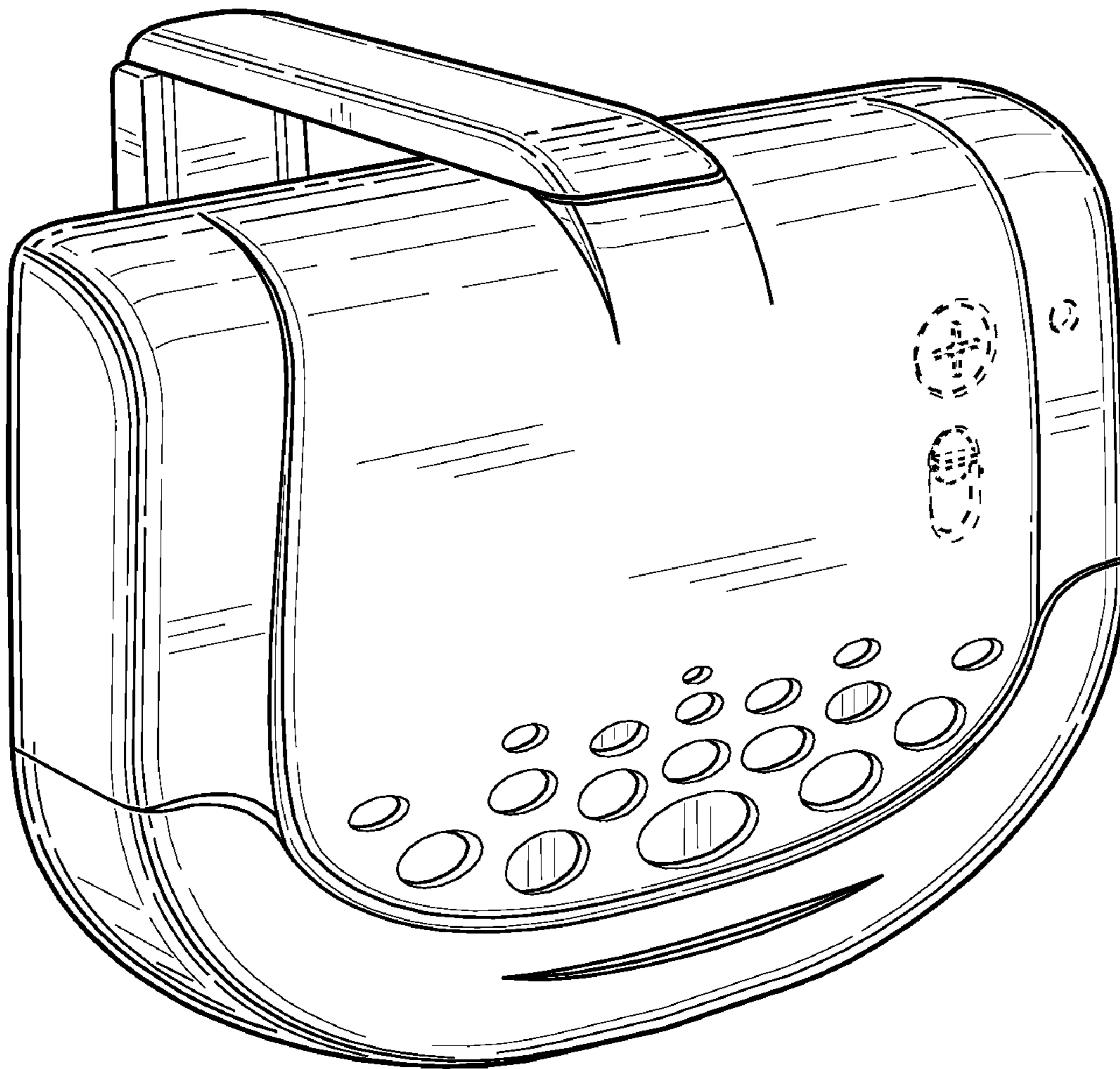


Fig.1.

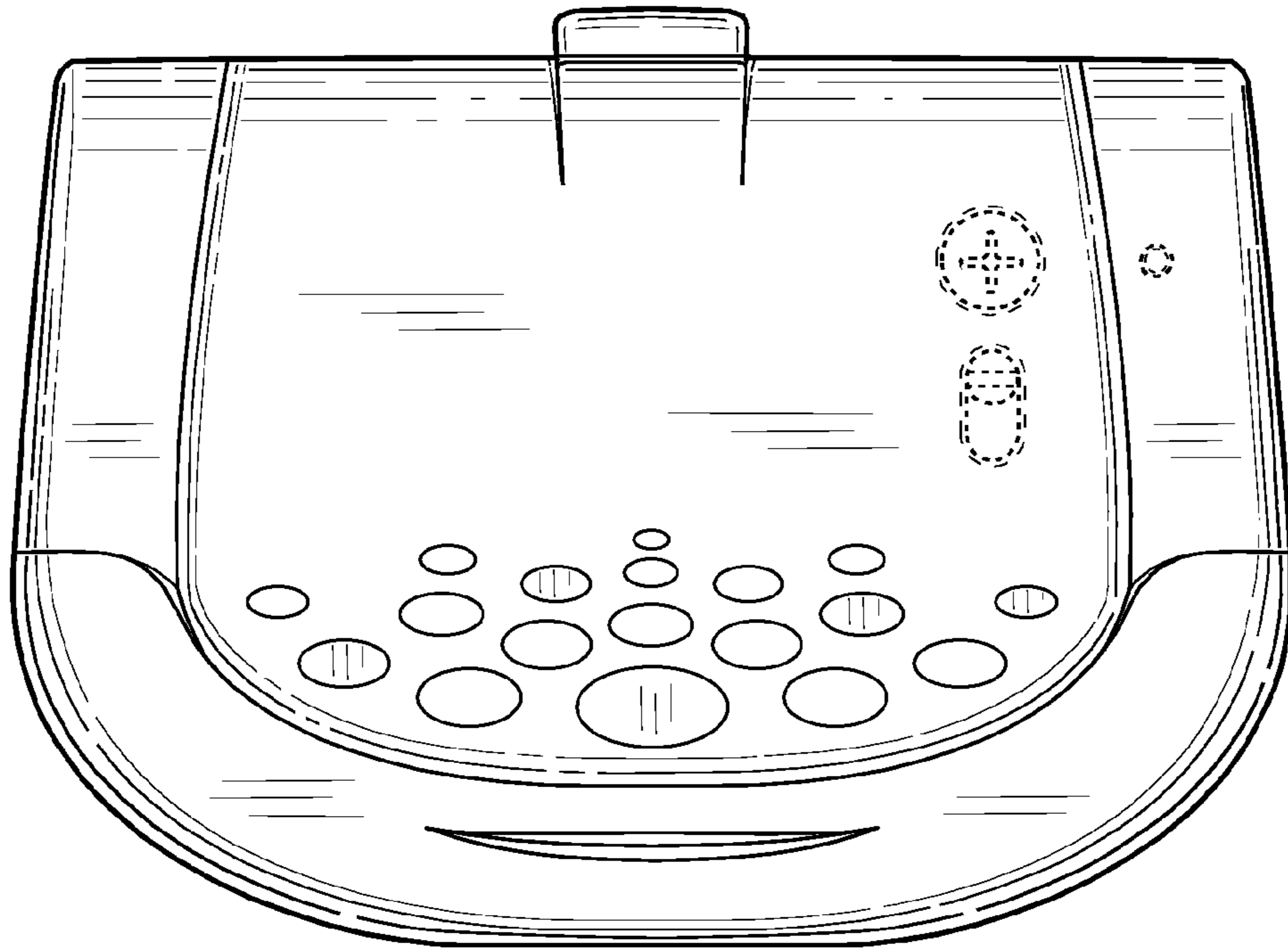


Fig.2.

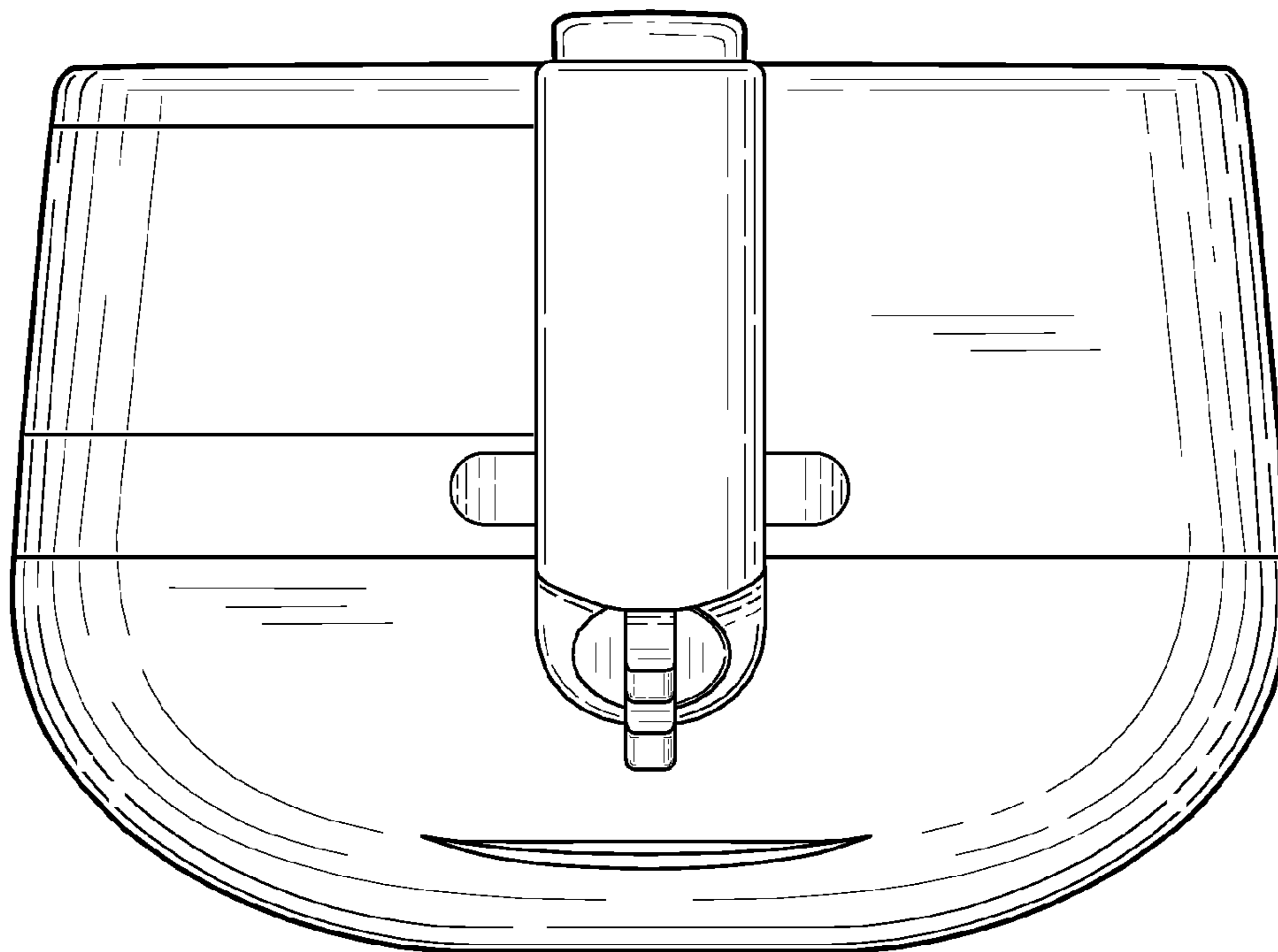


Fig.3.

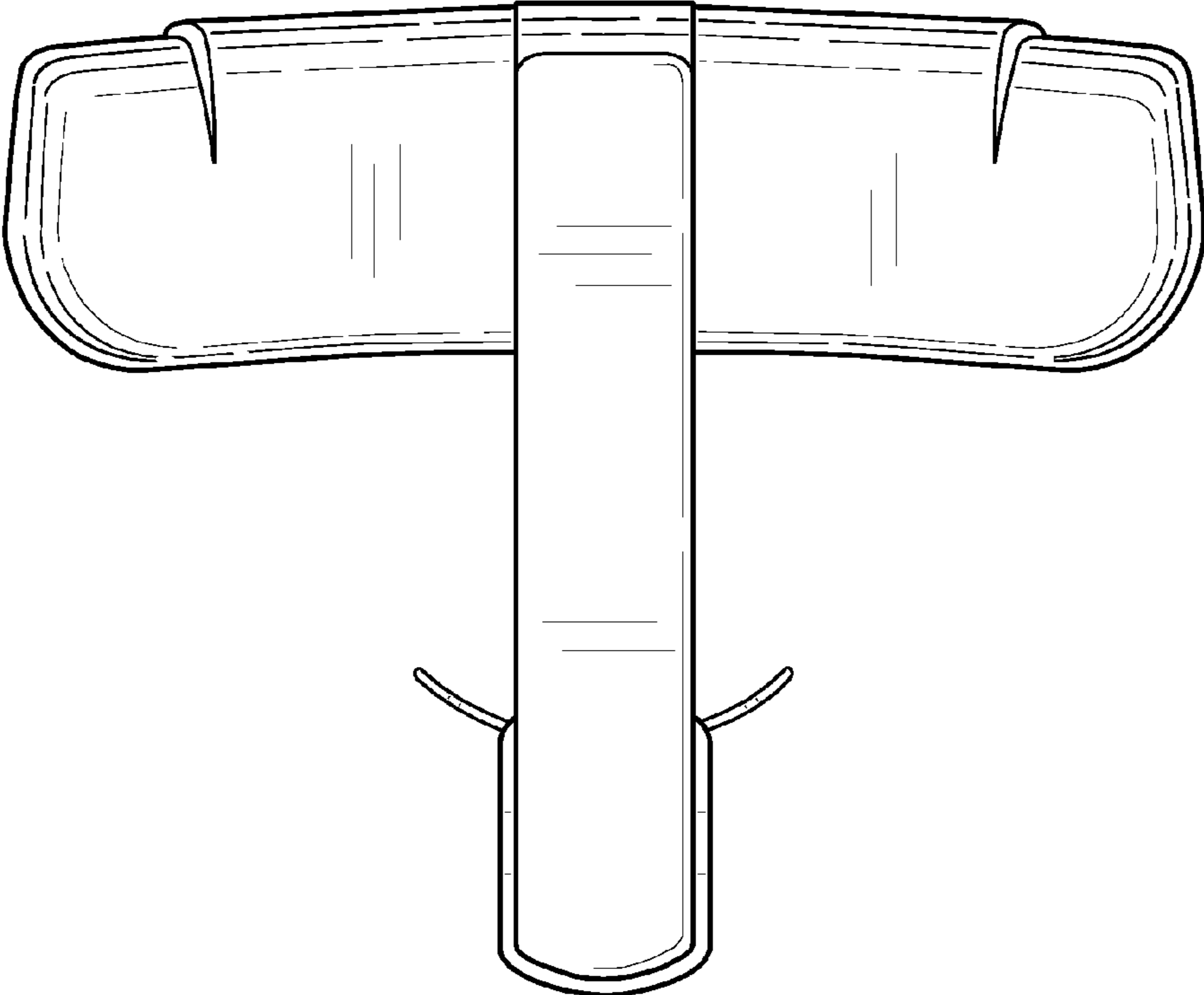


Fig.4.

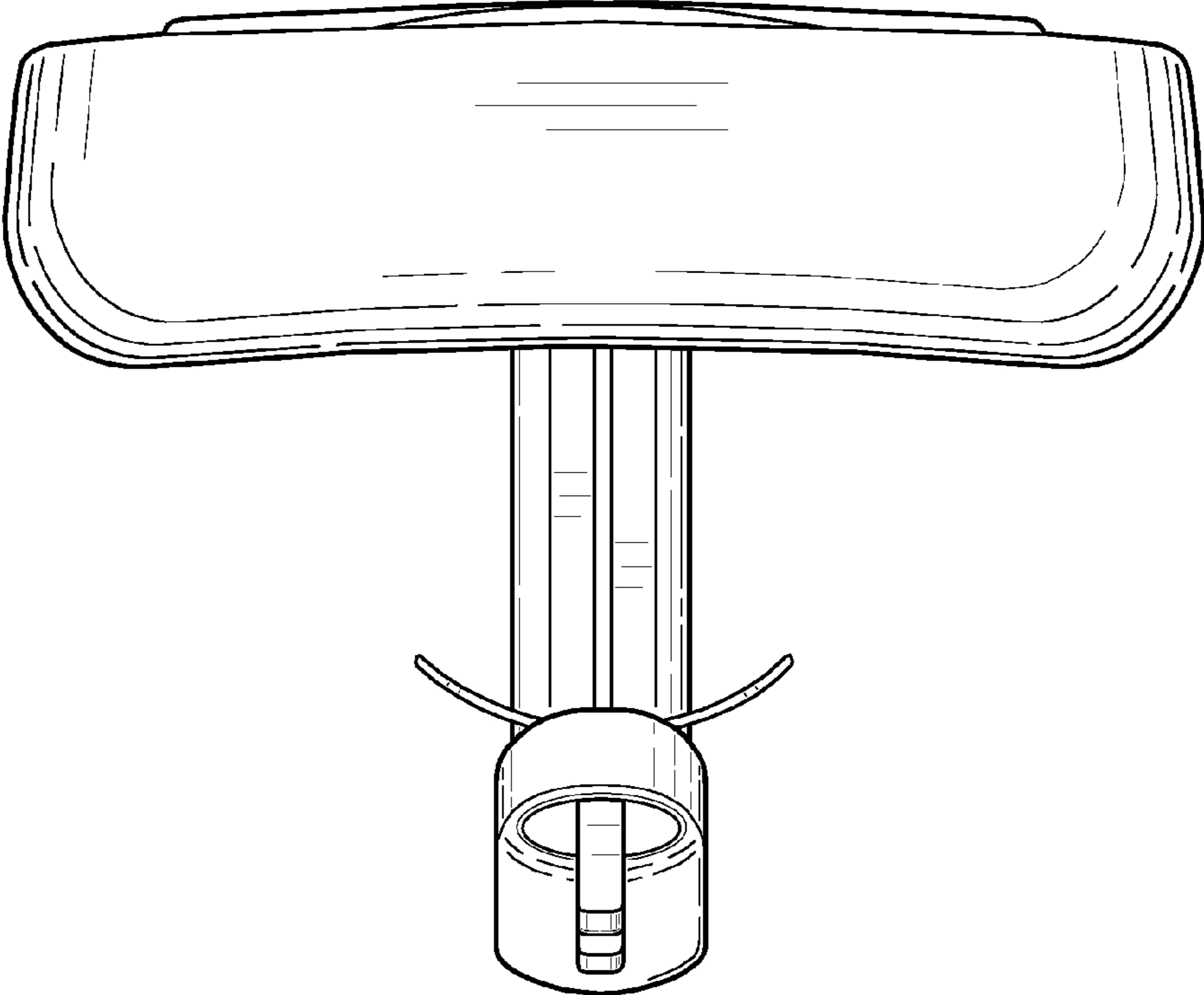


Fig.5.

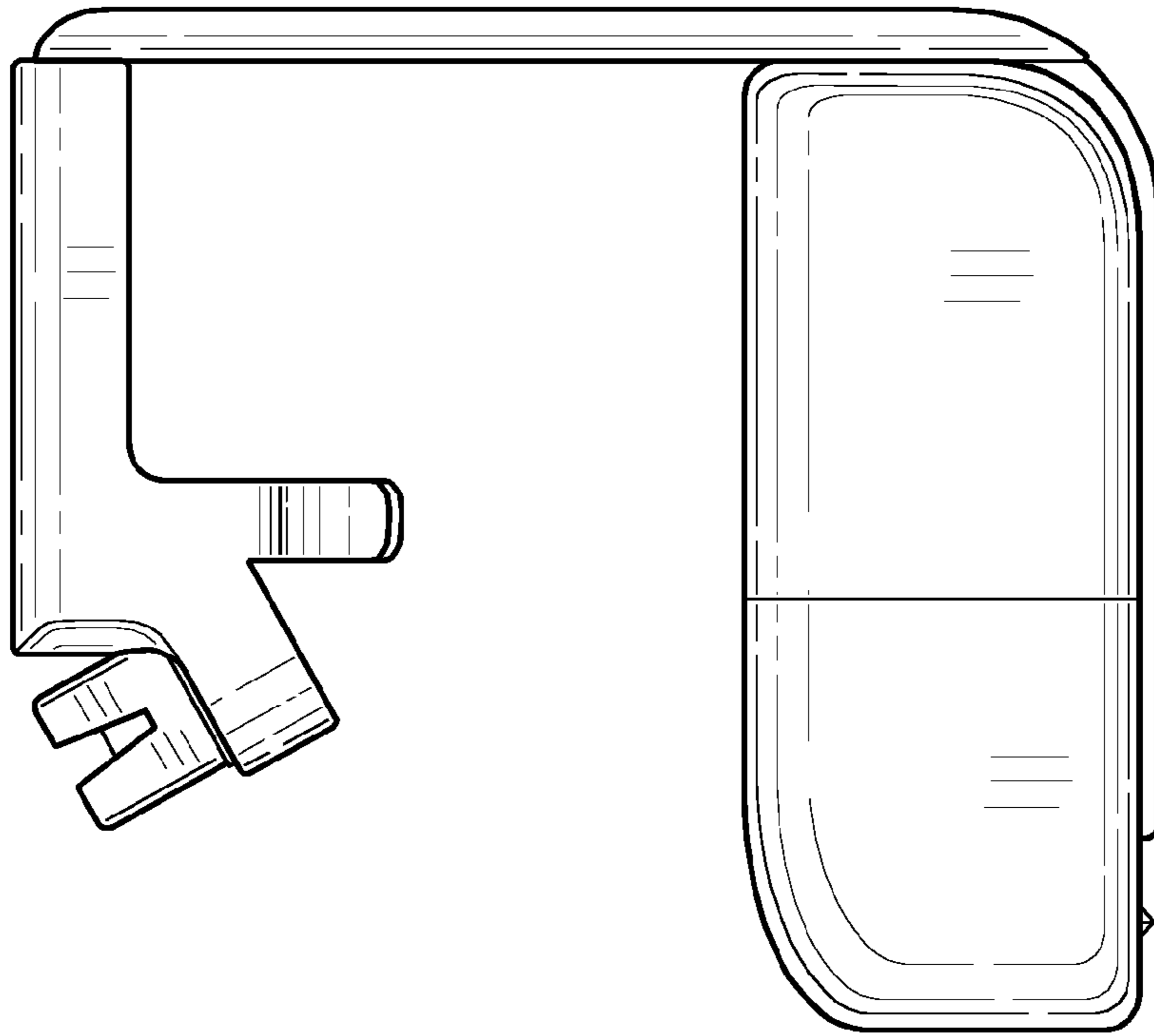


Fig.6.

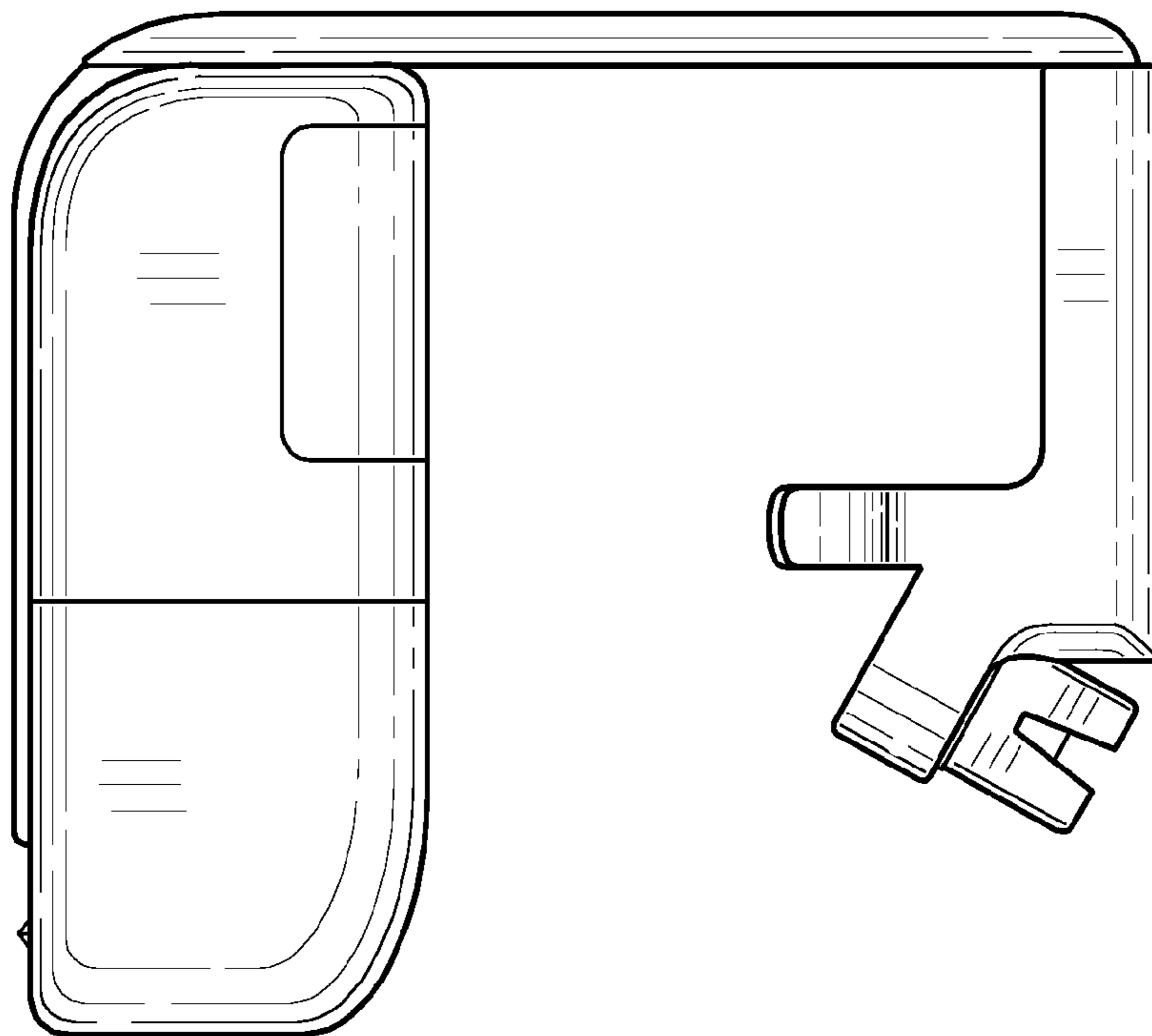


Fig.7.