



US00D600312S

(12) **United States Design Patent**  
**Swan**

(10) **Patent No.:** **US D600,312 S**

(45) **Date of Patent:** **\*\* Sep. 15, 2009**

(54) **RING ADAPTER FOR A WEAPON MOUNT**

(76) Inventor: **Richard E. Swan**, 171 West St., E.  
Bridgewater, MA (US) 02333

(\*\*) Term: **14 Years**

(21) Appl. No.: **29/330,761**

(22) Filed: **Jan. 14, 2009**

(51) **LOC (9) Cl.** ..... **22-01**

(52) **U.S. Cl.** ..... **D22/109**

(58) **Field of Classification Search** ..... D22/108-110,  
D22/199; D16/132, 130, 133, 330, 134;  
359/399, 823, 744; 42/111, 133, 119, 122  
See application file for complete search history.

(56) **References Cited**

**U.S. PATENT DOCUMENTS**

D203,508 S *	1/1966	Hansen	.....	D22/110
D212,690 S *	11/1968	Kuharsky	.....	D22/110
3,877,166 A *	4/1975	Ward	.....	42/127
D250,271 S *	11/1978	Williams	.....	D22/110
D255,140 S *	5/1980	Weast	.....	D22/110
D269,988 S *	8/1983	Ross	.....	D22/110
D270,748 S *	9/1983	Bechtel	.....	D22/110
D286,424 S *	10/1986	Ekstrand	.....	D22/110
D293,460 S *	12/1987	Williams	.....	D22/109
D391,335 S *	2/1998	Bechtel	.....	D22/110

D403,393 S *	12/1998	Weast	.....	D22/110
D435,284 S *	12/2000	Sutula	.....	D22/110
6,594,938 B2 *	7/2003	Horton	.....	42/127
D554,730 S *	11/2007	Coggins	.....	D22/110
2004/0148842 A1 *	8/2004	Aalto et al.	.....	42/127

\* cited by examiner

*Primary Examiner*—T. Chase Nelson

*Assistant Examiner*—Michael A Pratt

(74) *Attorney, Agent, or Firm*—Barlow, Josephs & Holmes, Ltd.

(57) **CLAIM**

The ornamental design for a ring adapter for a weapon mount, as shown and described.

**DESCRIPTION**

FIG. 1 is a perspective view of the ring adapter for a weapon mount in accordance with the present invention;

FIG. 2 is a right side view thereof;

FIG. 3 is a left side view thereof;

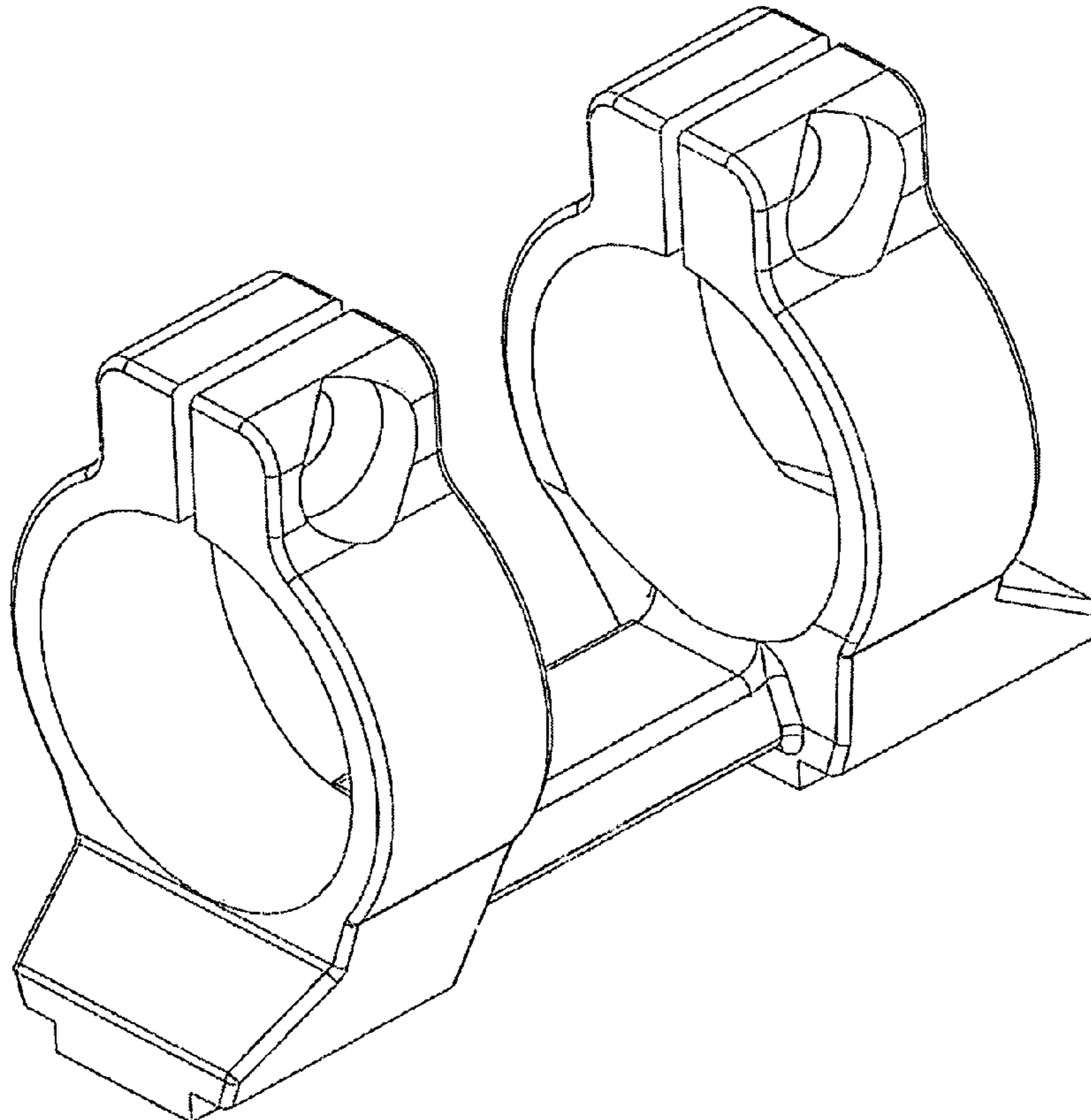
FIG. 4 is a top view thereof;

FIG. 5 is a bottom view thereof;

FIG. 6 is a front view thereof; and,

FIG. 7 is a rear view thereof.

**1 Claim, 7 Drawing Sheets**



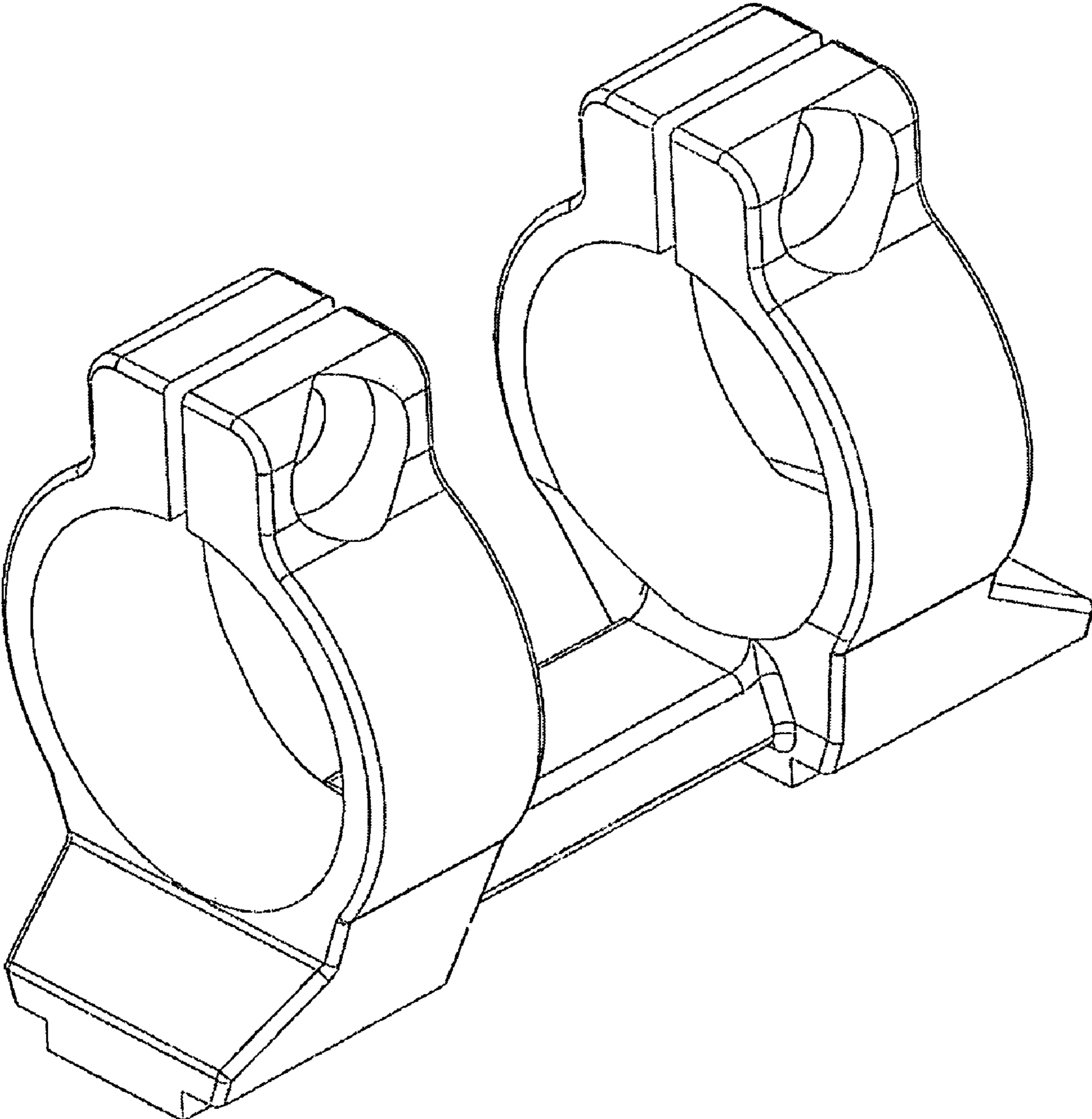


FIG. 1

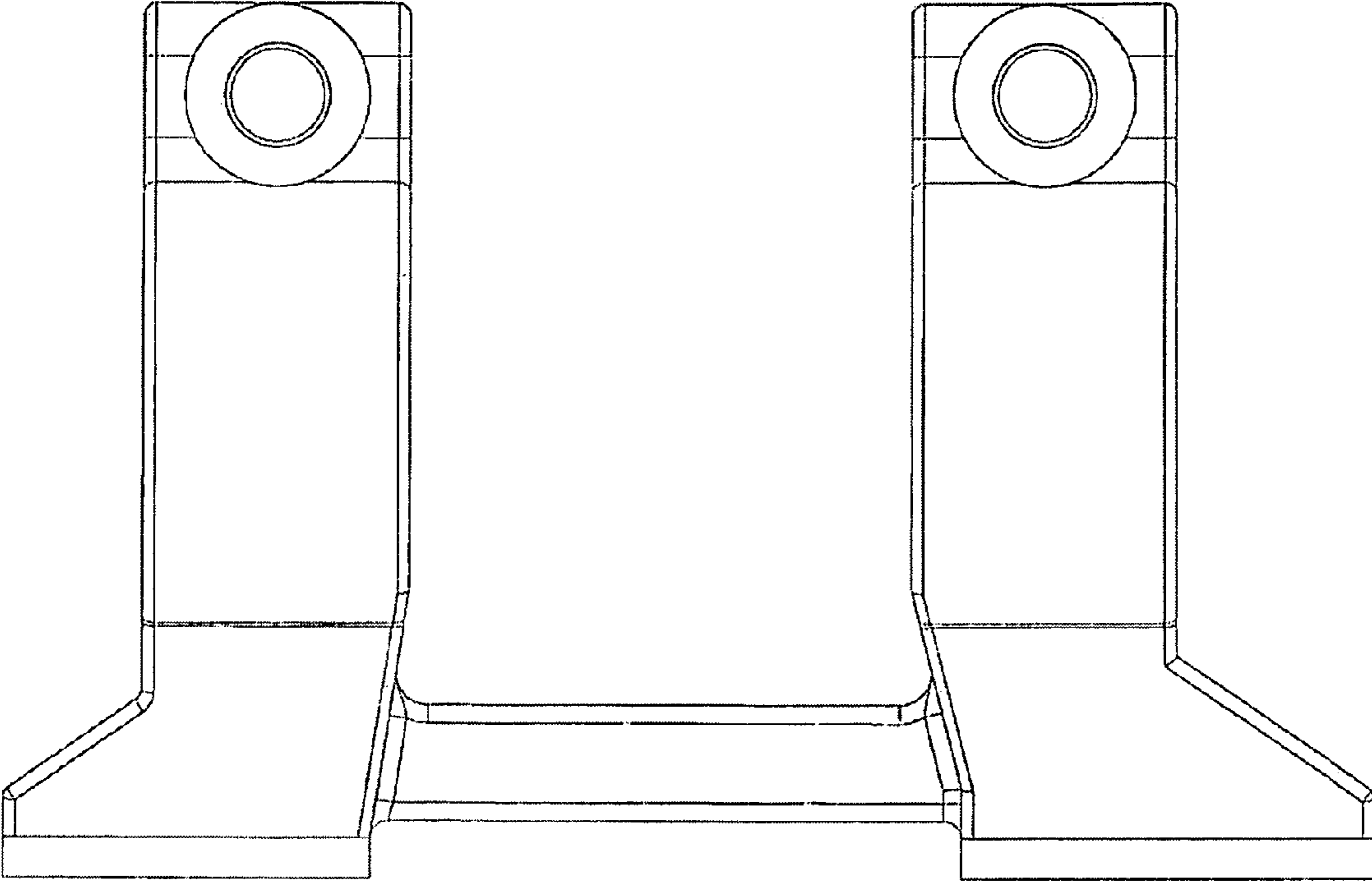


FIG. 2

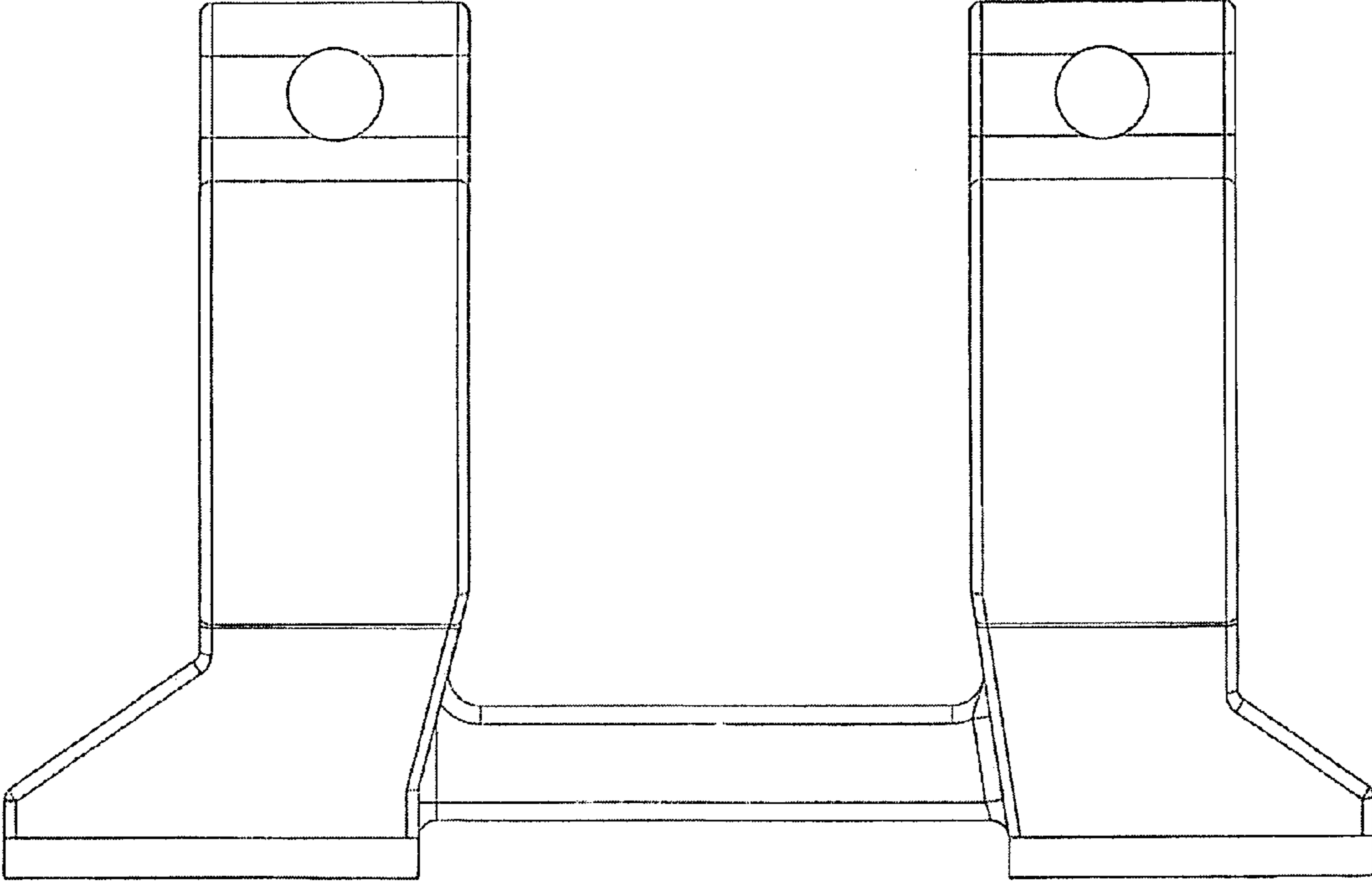


FIG. 3

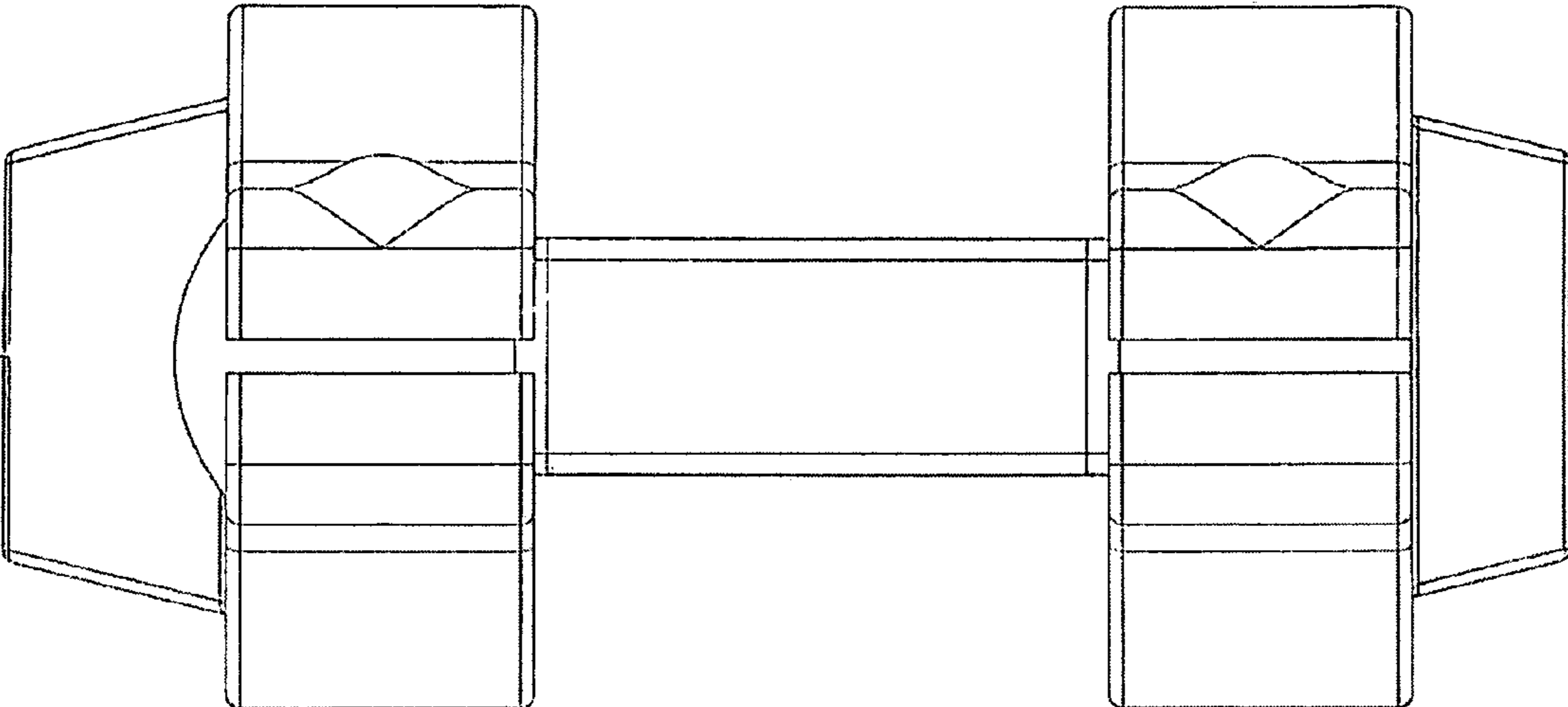


FIG. 4

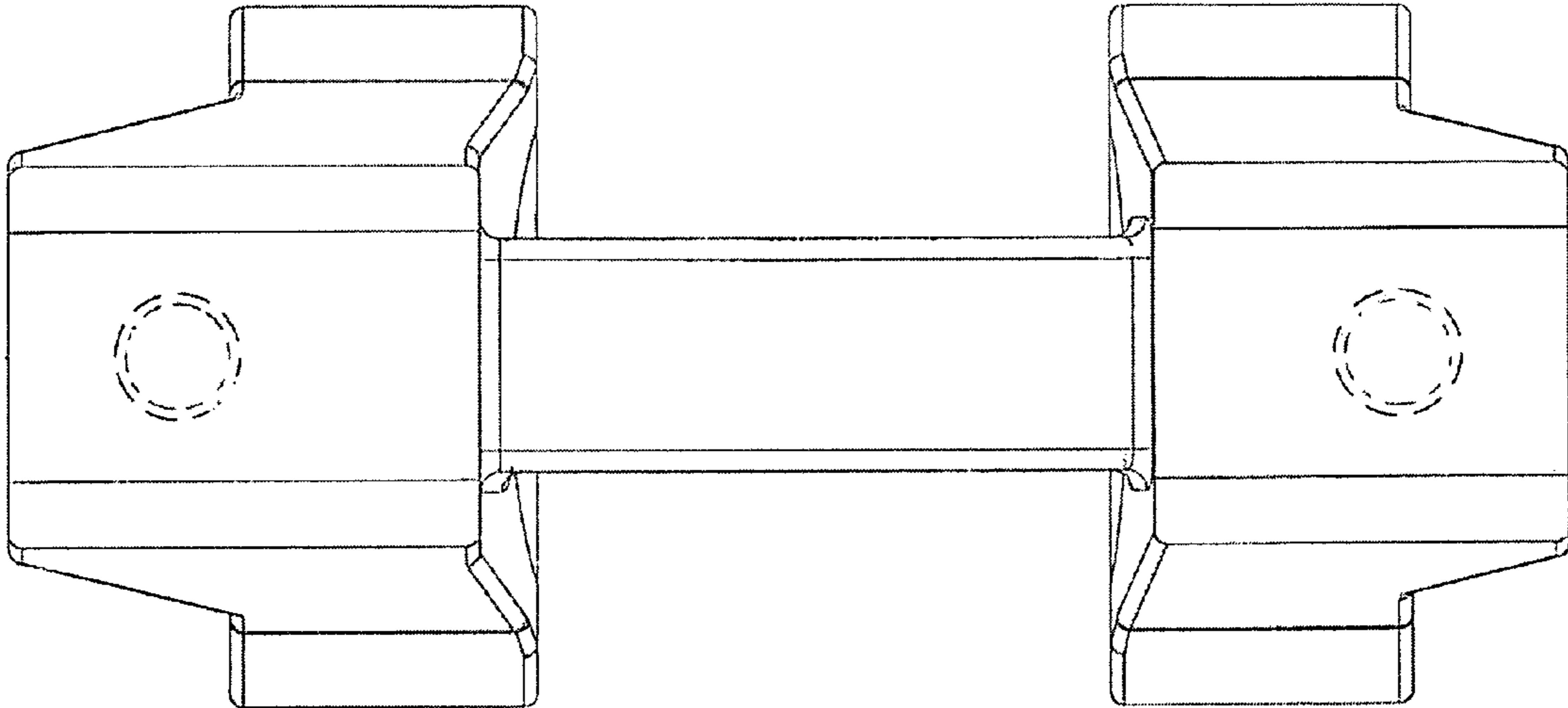


FIG. 5

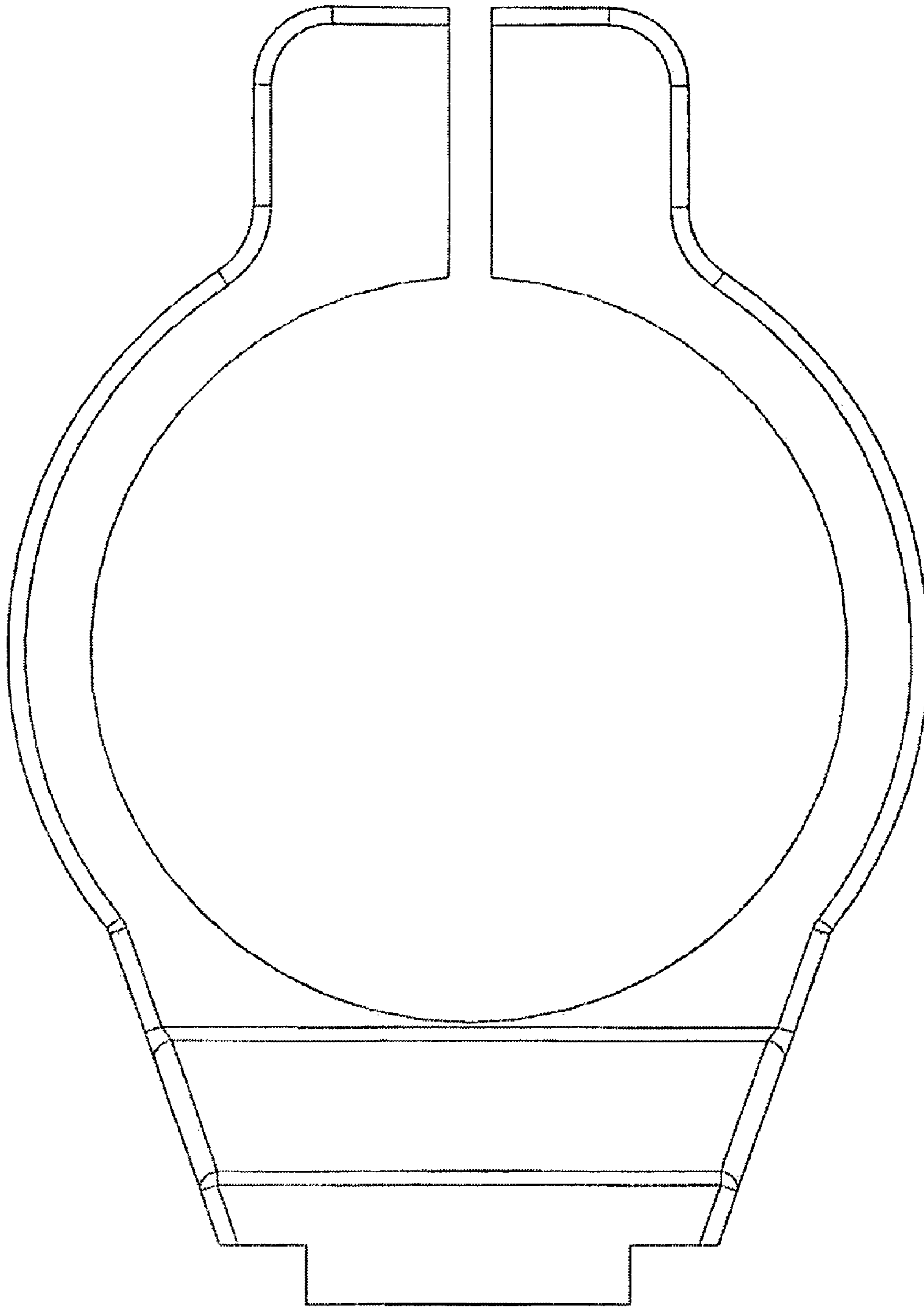


FIG. 6

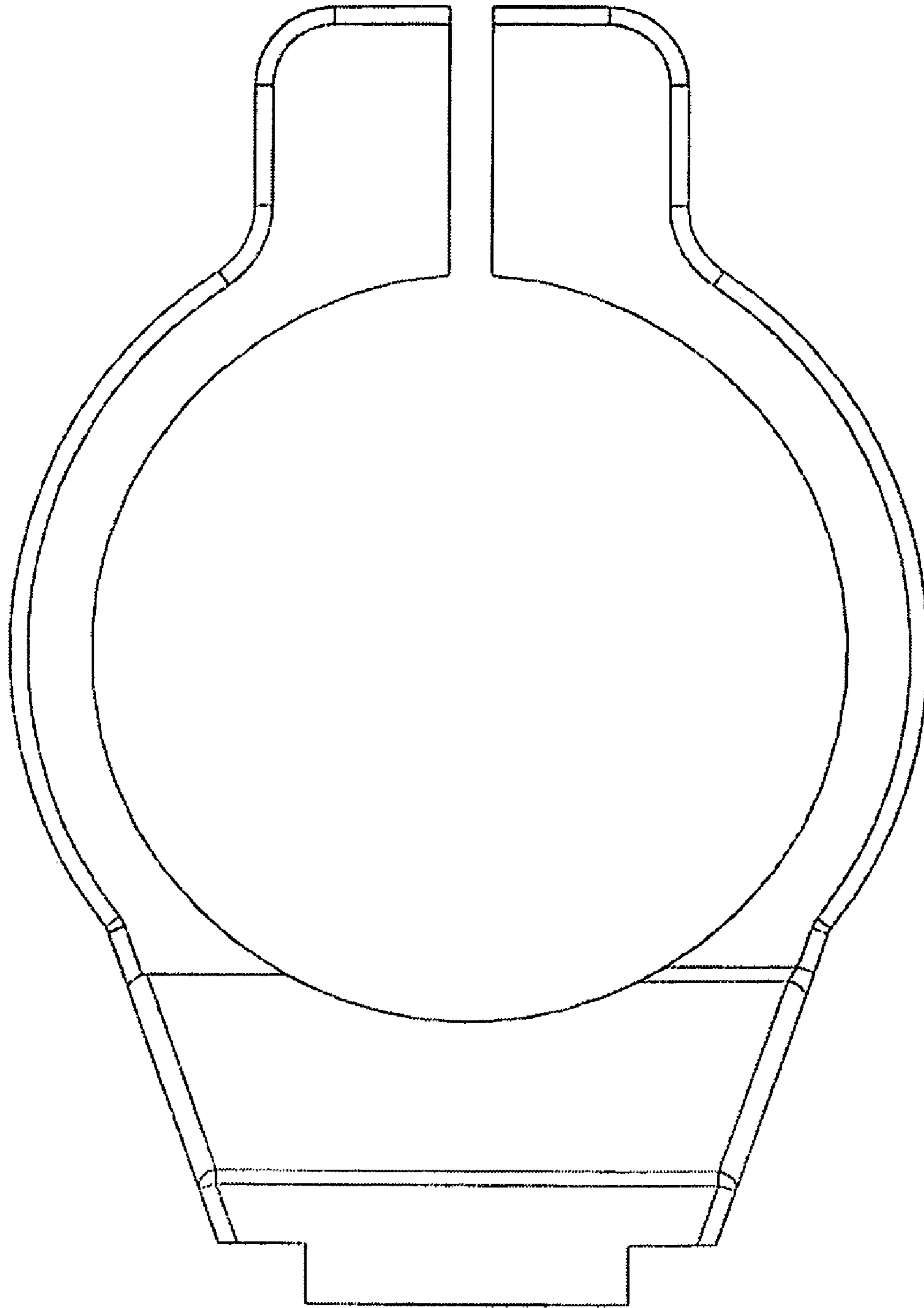


FIG. 7