



US00D600310S

(12) **United States Design Patent**  
**Fitzpatrick et al.**

(10) **Patent No.:** **US D600,310 S**

(45) **Date of Patent:** **\*\* Sep. 15, 2009**

(54) **HAND GRIP FOR A FIREARM**

(75) Inventors: **Richard M. Fitzpatrick**, Denver, CO (US); **Michael T. Mayberry**, Denver, CO (US); **Eric C. Burt**, Broomfield, CO (US)

(73) Assignee: **Magpul Industries Corp.**, Erie, CO (US)

(\*\*) Term: **14 Years**

(21) Appl. No.: **29/303,200**

(22) Filed: **Feb. 1, 2008**

(51) **LOC (9) Cl.** ..... **22-01**

(52) **U.S. Cl.** ..... **D22/109**

(58) **Field of Classification Search** ..... D22/100, D22/108, 109, 110, 199; 42/11, 72, 75.02, 42/71.01, 85, 90, 106, 114, 113, 116, 119, 42/124, 125, 127, 145, 128; 248/201, 205.1  
See application file for complete search history.

(56) **References Cited**

U.S. PATENT DOCUMENTS

D221,428 S *	8/1971	Lewis	.....	D22/104
D302,289 S *	7/1989	Lambert	.....	D22/108
D344,124 S *	2/1994	Cupp	.....	D22/108
D351,448 S *	10/1994	Fisher	.....	D22/108
D479,571 S *	9/2003	Benini	.....	D22/108
D487,298 S *	3/2004	Clare et al.	.....	D22/108
6,854,205 B2 *	2/2005	Wikle et al.	.....	42/71.02
D562,931 S *	2/2008	Szabo	.....	D22/108
2003/0140546 A1 *	7/2003	Kay	.....	42/133
2006/0064913 A1 *	3/2006	Gablowski et al.	.....	42/72
2006/0260169 A1 *	11/2006	Samson et al.	.....	42/72
2007/0180752 A1 *	8/2007	Houde-Walter	.....	42/114
2008/0060247 A1 *	3/2008	Thomele et al.	.....	42/71.02

\* cited by examiner

*Primary Examiner*—T. Chase Nelson

*Assistant Examiner*—Michael A Pratt

(74) *Attorney, Agent, or Firm*—Geoffrey E. Dobbin

(57) **CLAIM**

The ornamental design for an hand grip for a firearm, as shown and described.

**DESCRIPTION**

FIG. 1 is a left elevation view of the hand grip for a firearm.

FIG. 2 is a right elevation view of the hand grip for a firearm.

FIG. 3 is a left/top/rear perspective view of the hand grip for a firearm.

FIG. 4 is a front elevation view of the hand grip for a firearm.

FIG. 5 is a rear elevation view of the hand grip for a firearm.

FIG. 6 is a top plan view of the hand grip for a firearm.

FIG. 7 is a bottom plan view of the hand grip for a firearm.

FIG. 8 is a right/top/front perspective view of the hand grip for a firearm.

FIG. 9 is a right/bottom/front perspective view of the hand grip for a firearm.

FIG. 10 is a left/bottom/front perspective view of the hand grip for a firearm.

FIG. 11 is a left/top/front perspective view of the hand grip for a firearm.

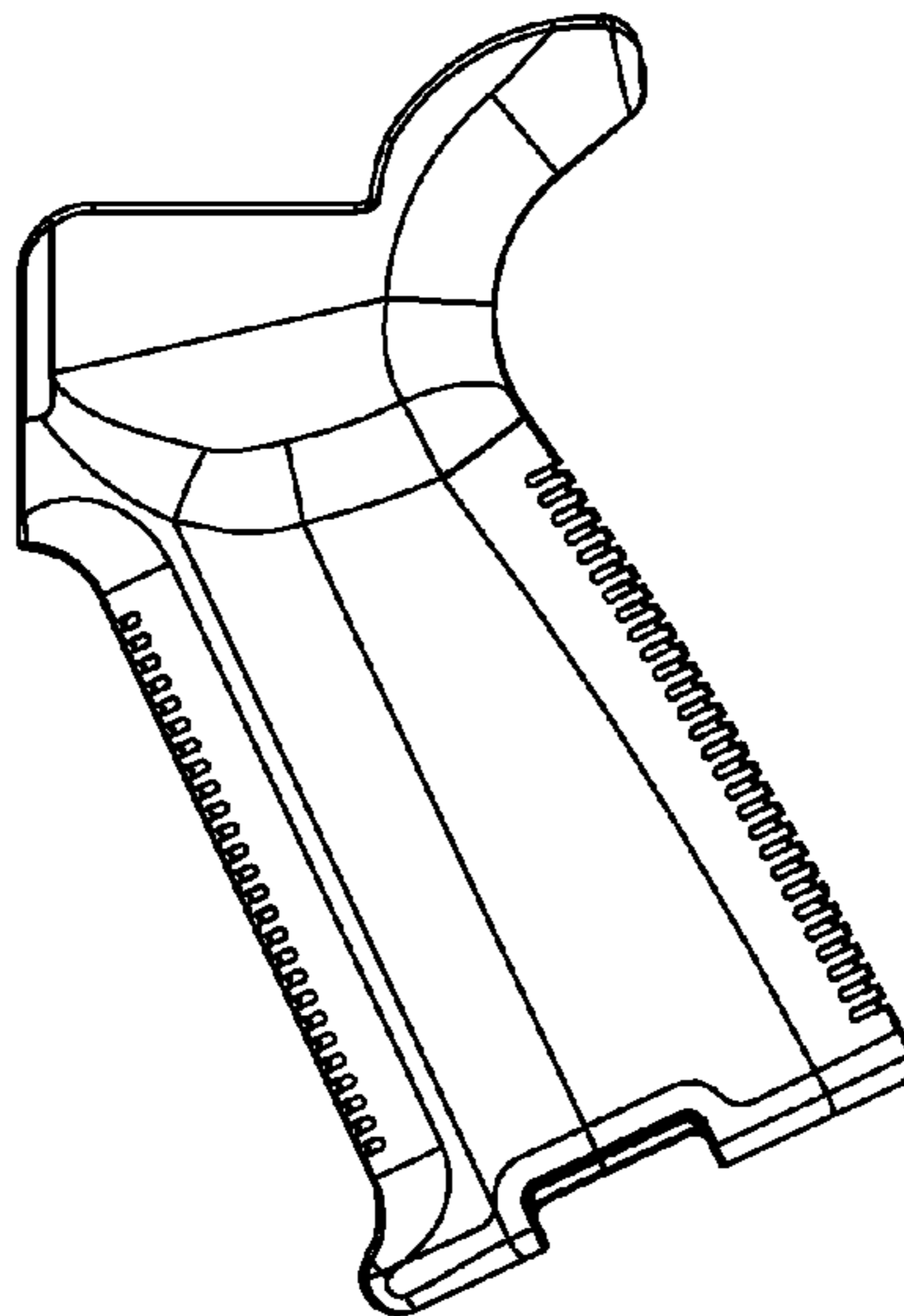
FIG. 12 is a left/bottom/rear perspective view of the hand grip for a firearm.

FIG. 13 is a right/bottom/rear perspective view of the hand grip for a firearm; and,

FIG. 14 is a right/top/rear perspective view of the hand grip for a firearm.

The broken lines depict portions of the hand grip for a firearm that form no part of the claimed design.

**1 Claim, 4 Drawing Sheets**



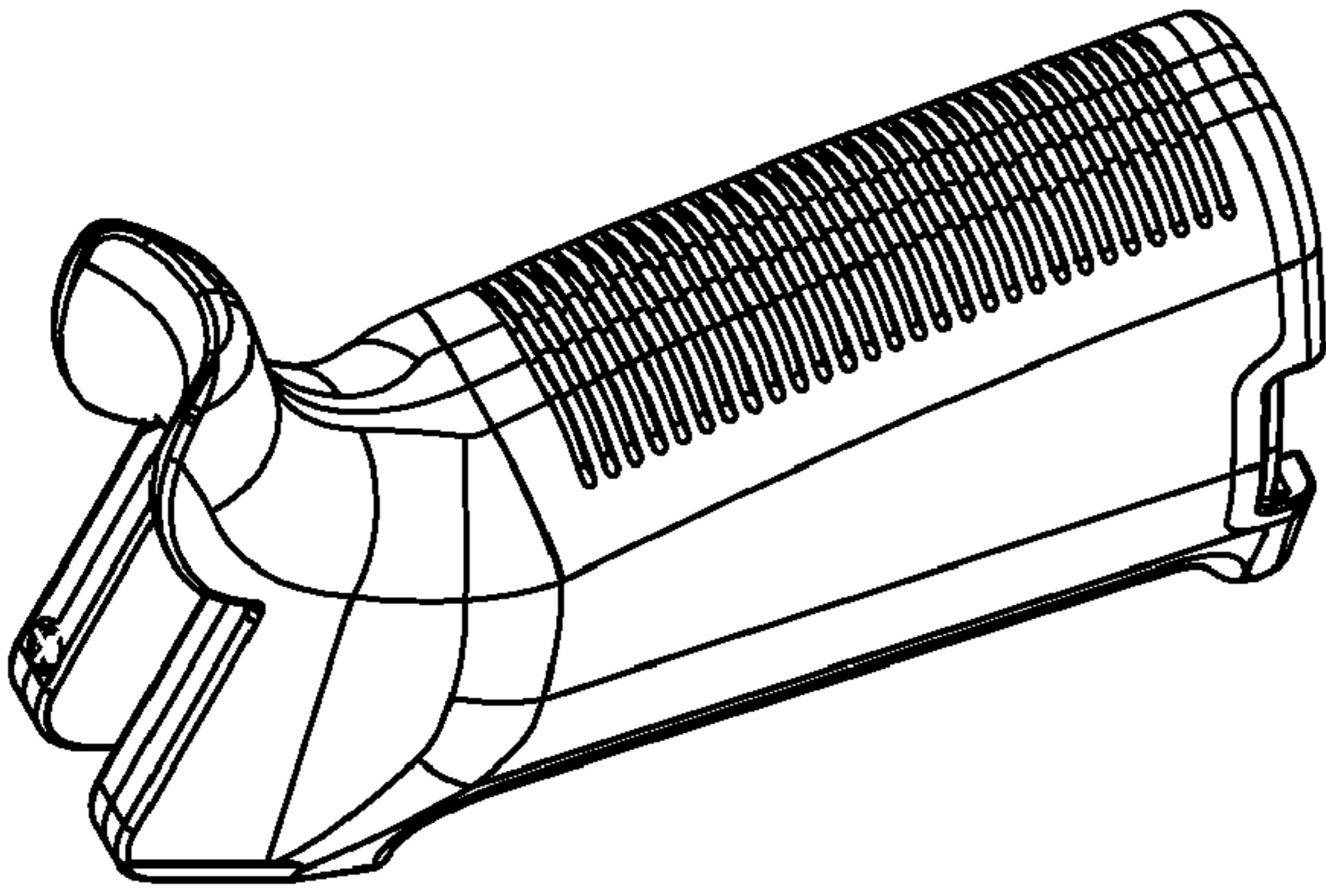


FIG. 3

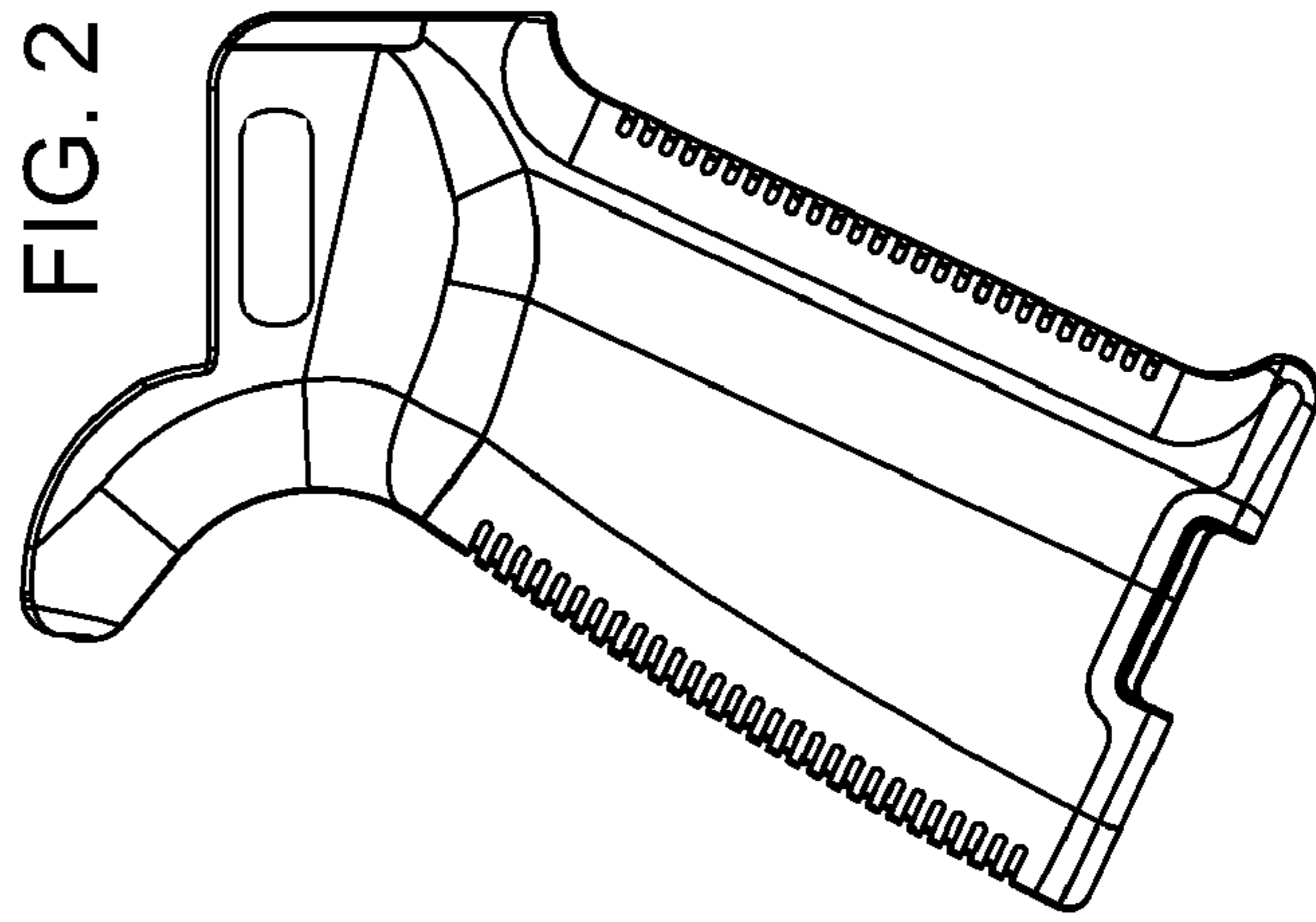


FIG. 2

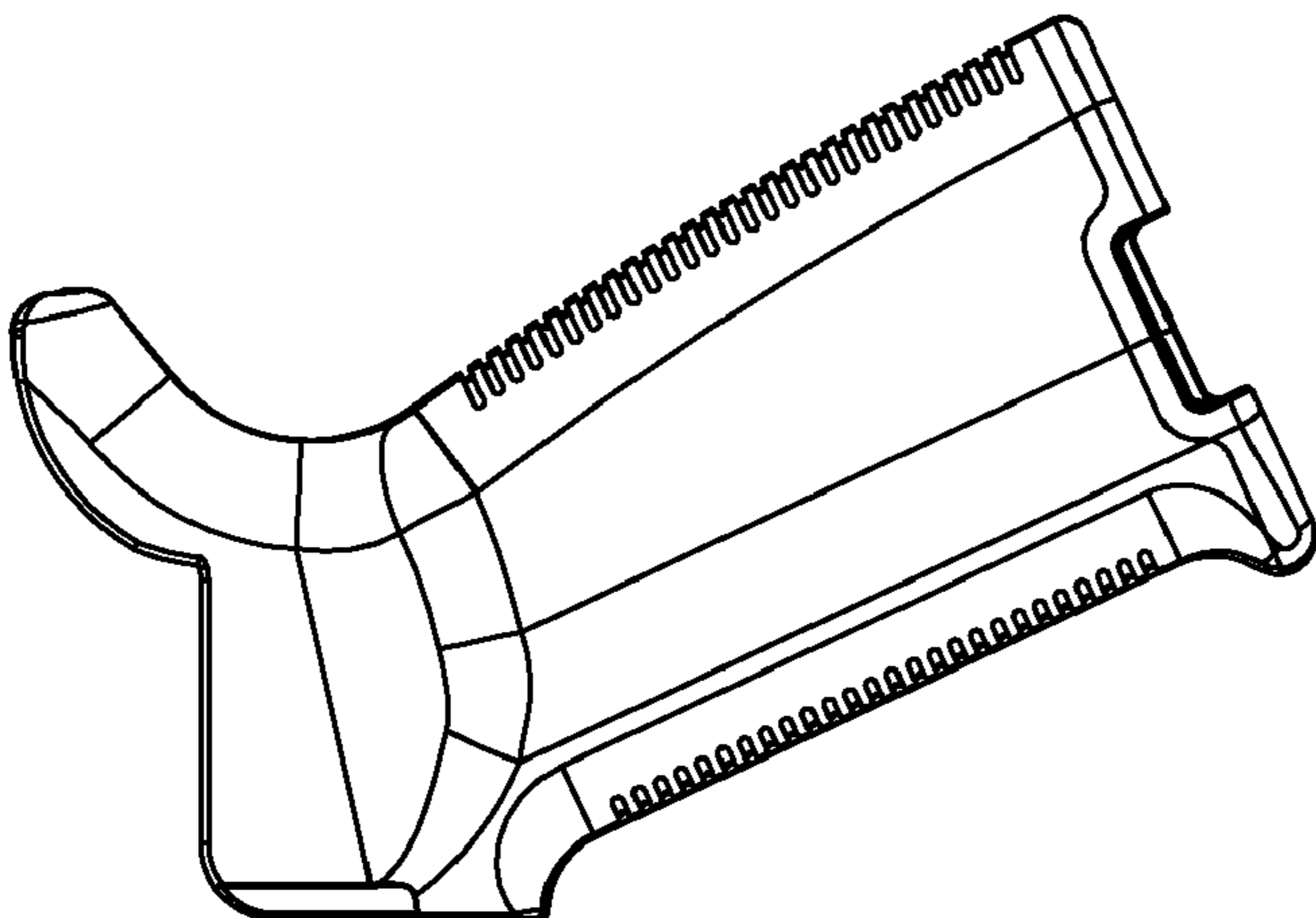


FIG. 1

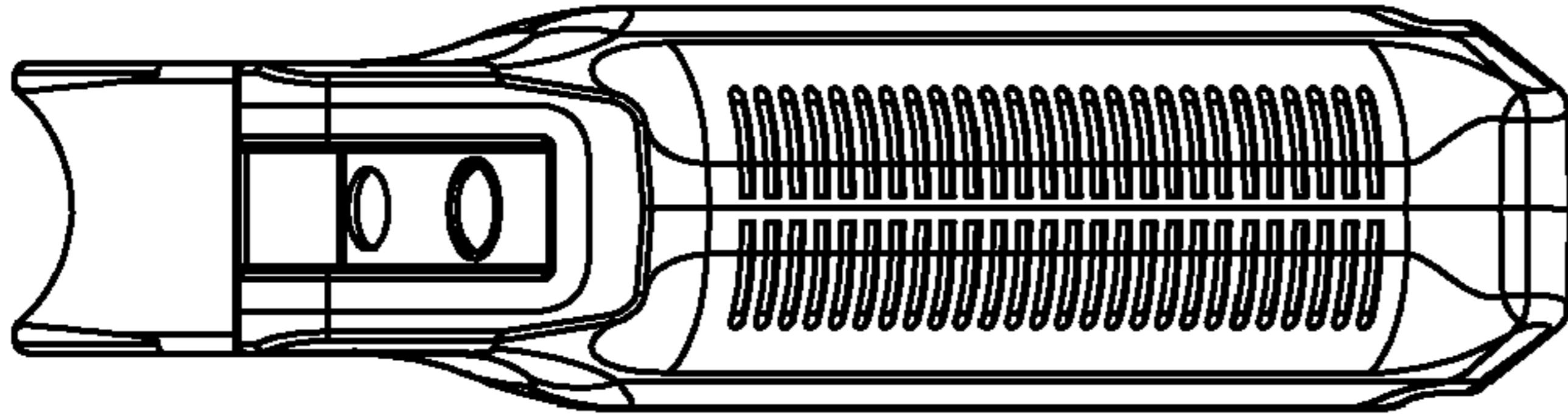


FIG. 4

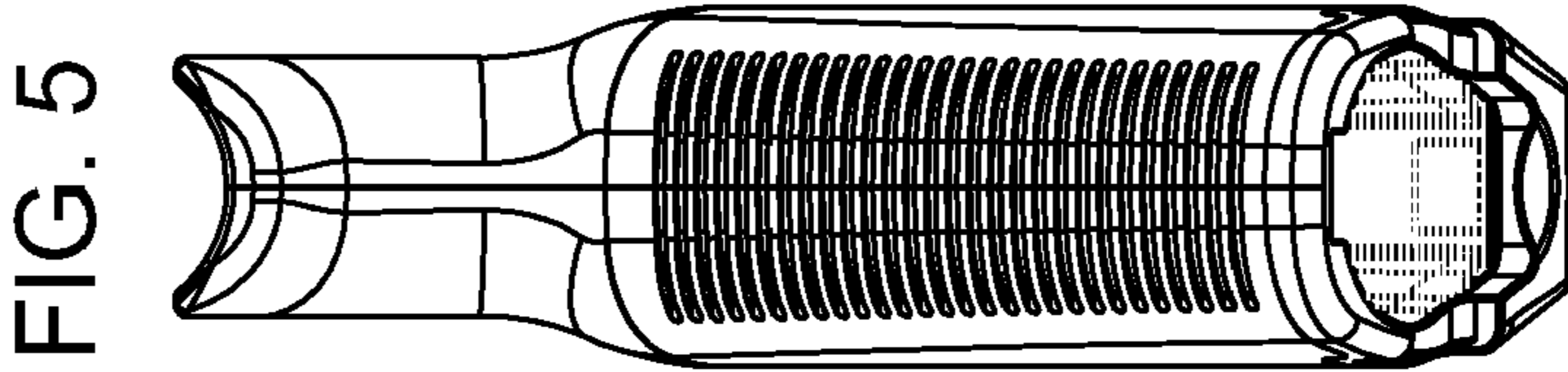


FIG. 5

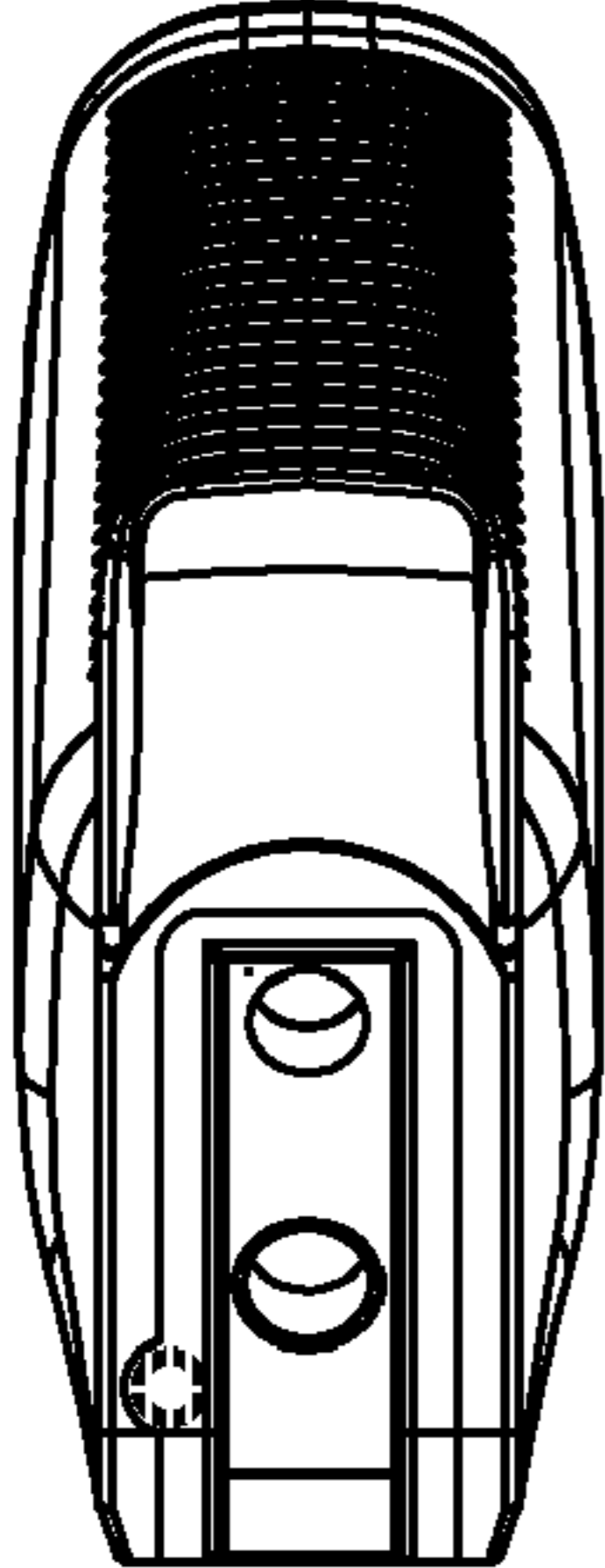


FIG. 6

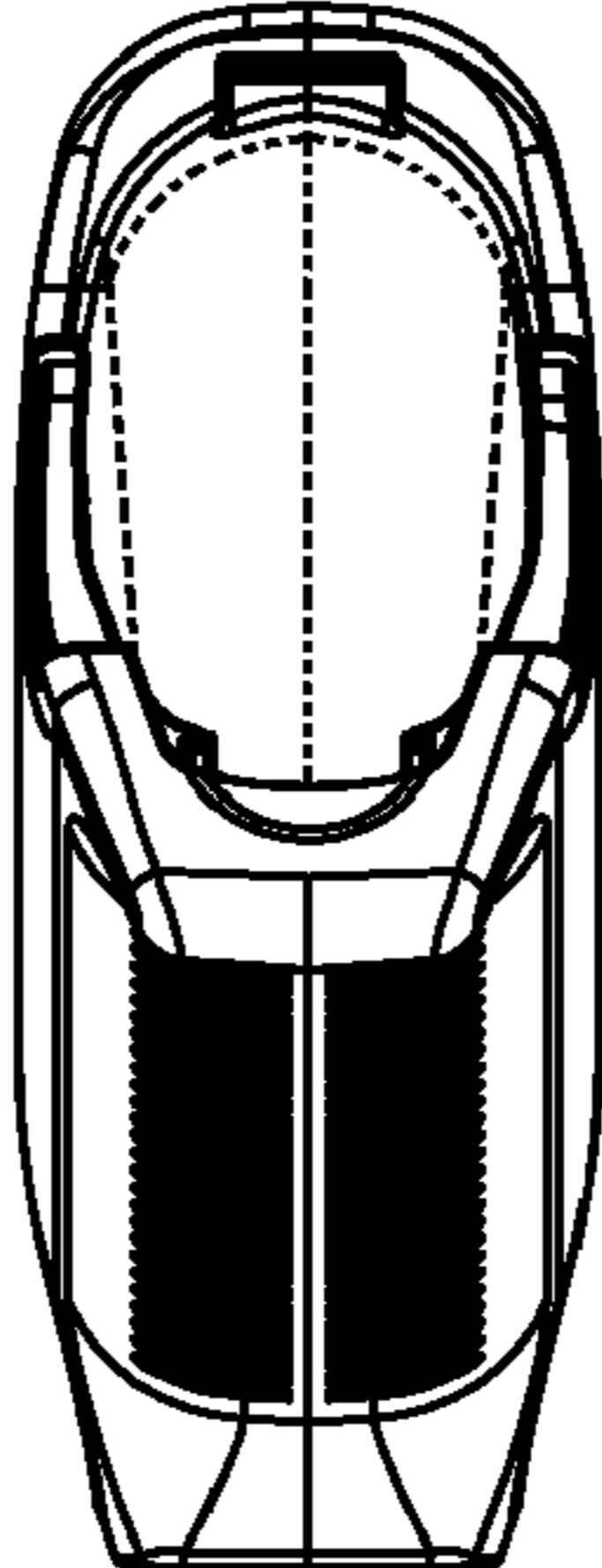


FIG. 7

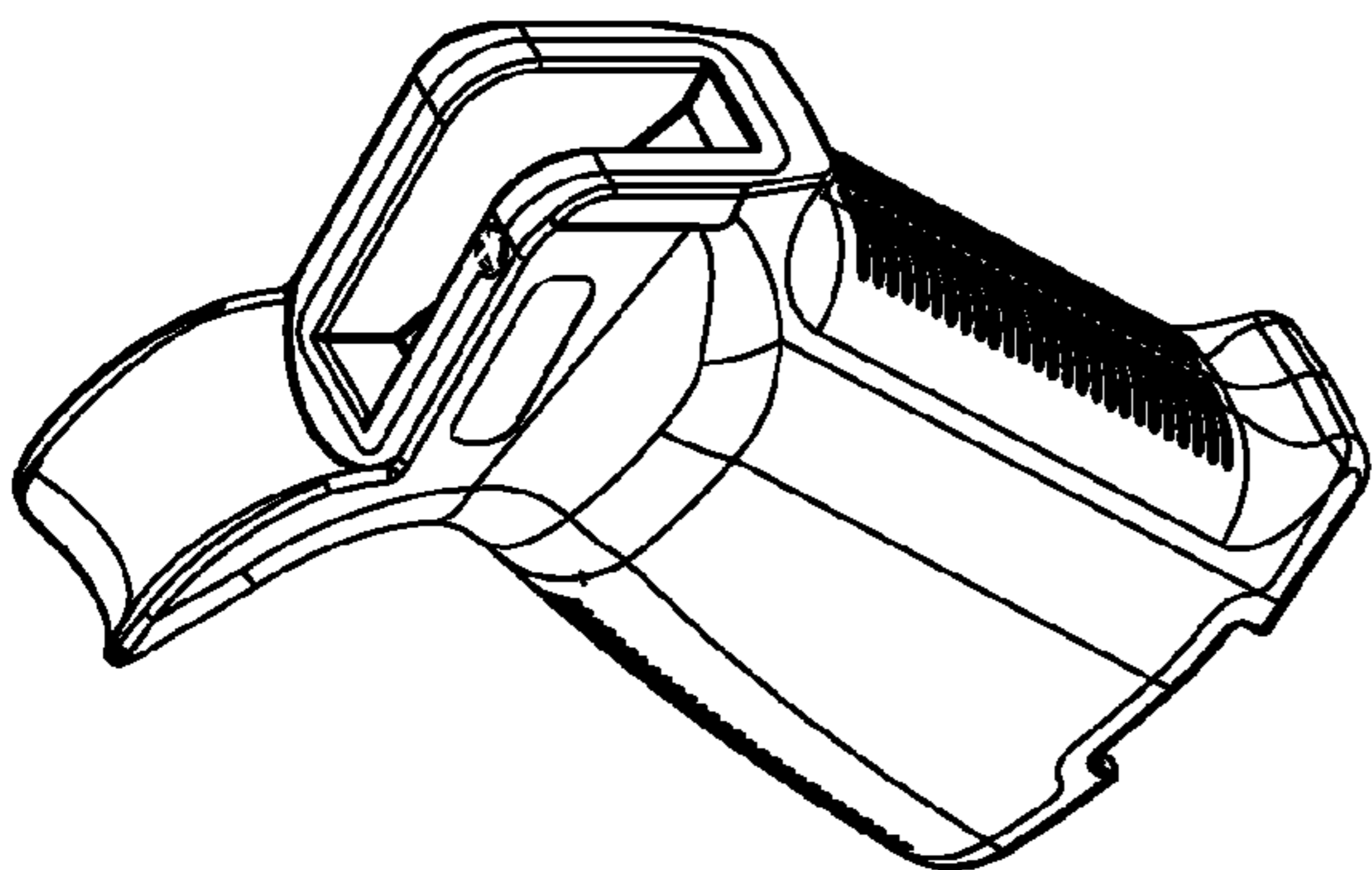


FIG. 8

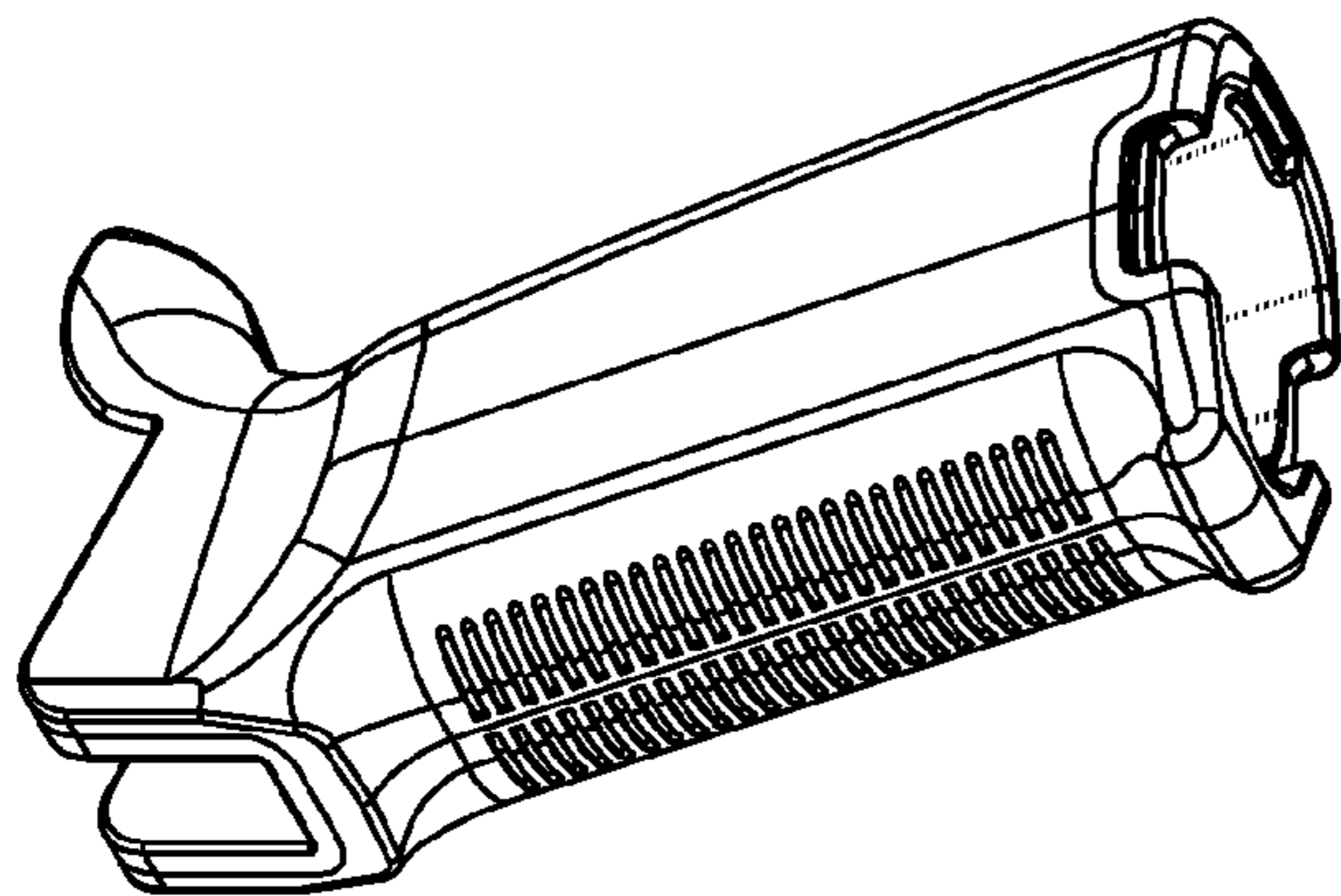


FIG. 9

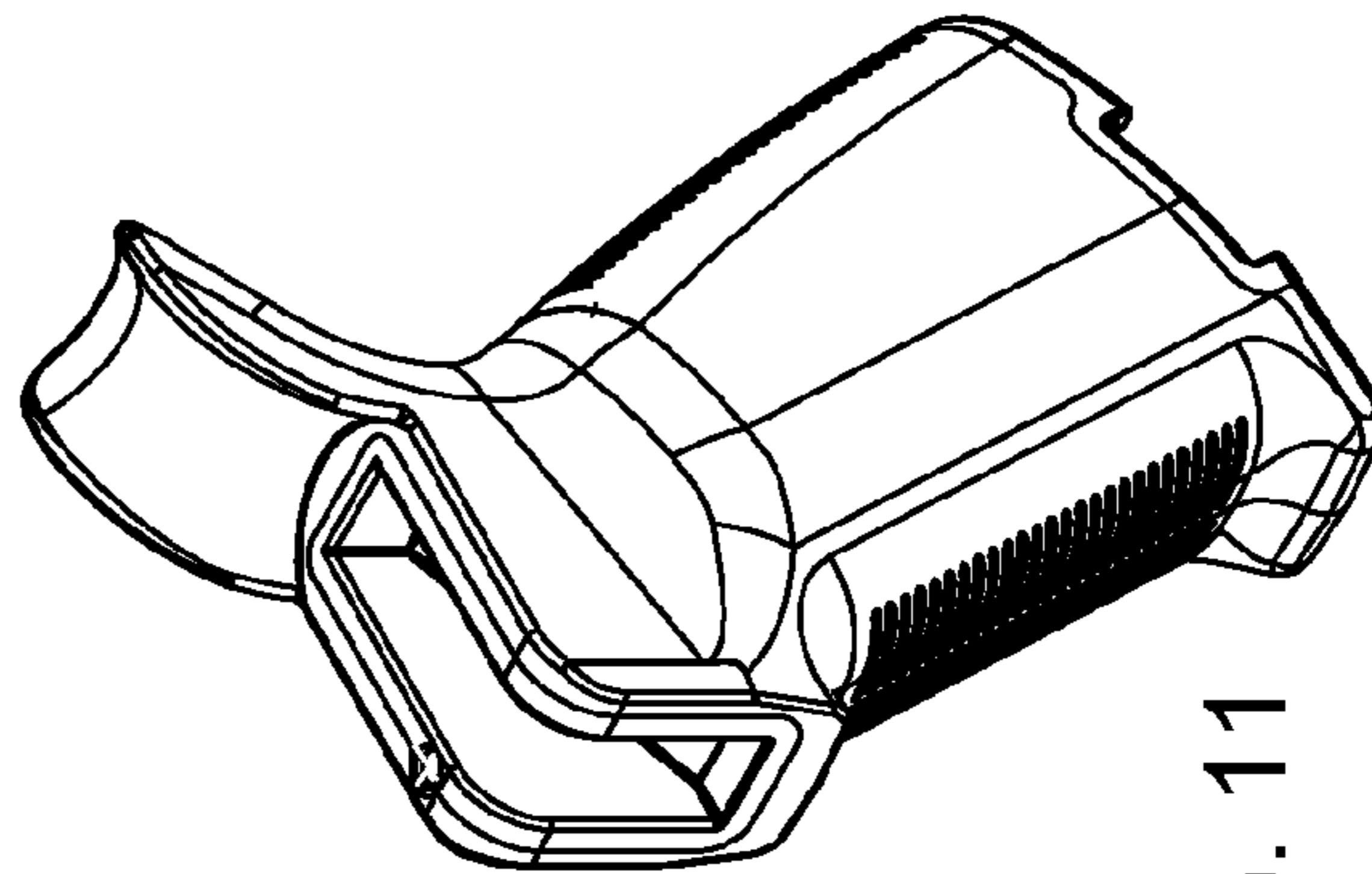
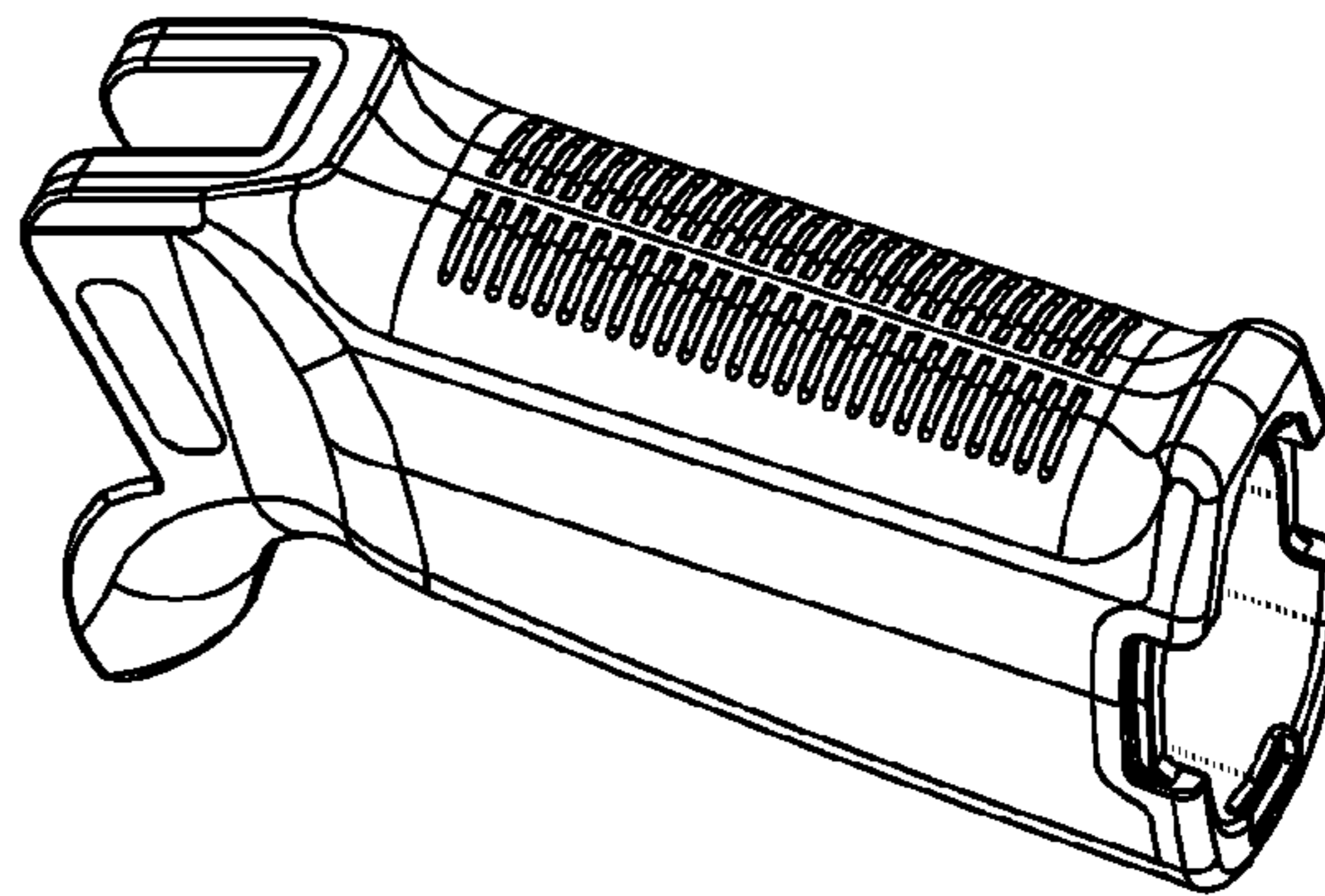


FIG. 10

FIG. 11



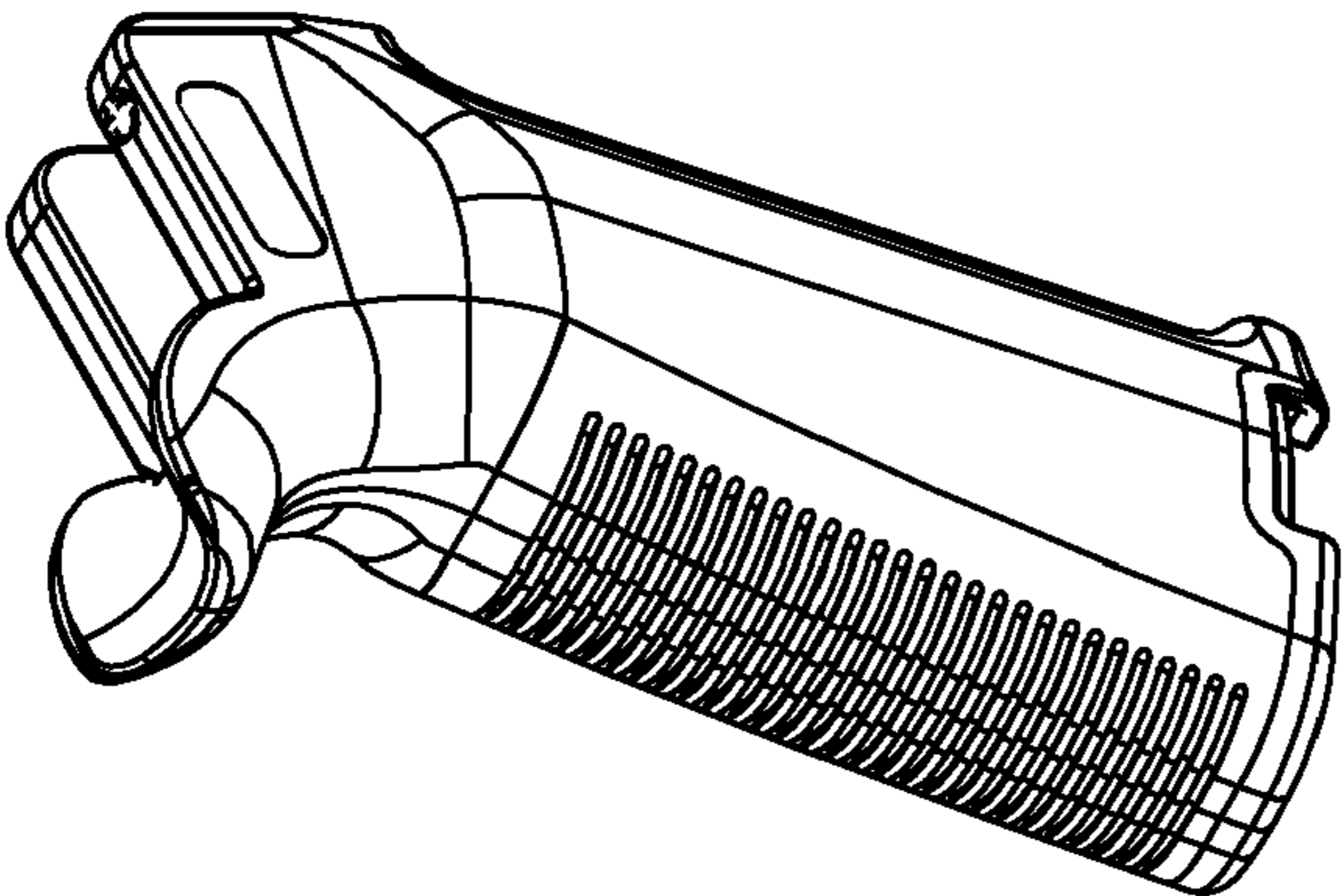


FIG. 14

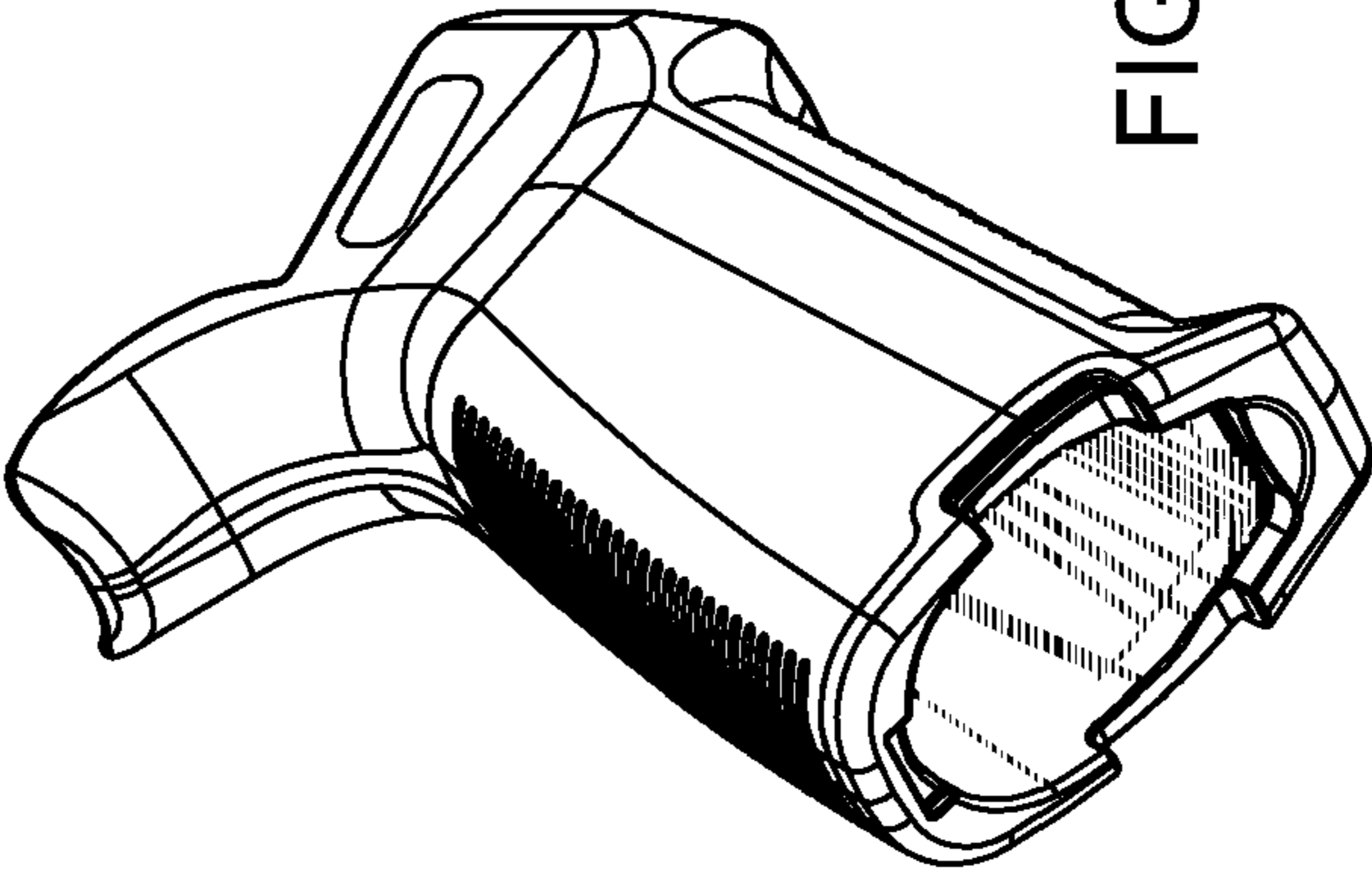


FIG. 13

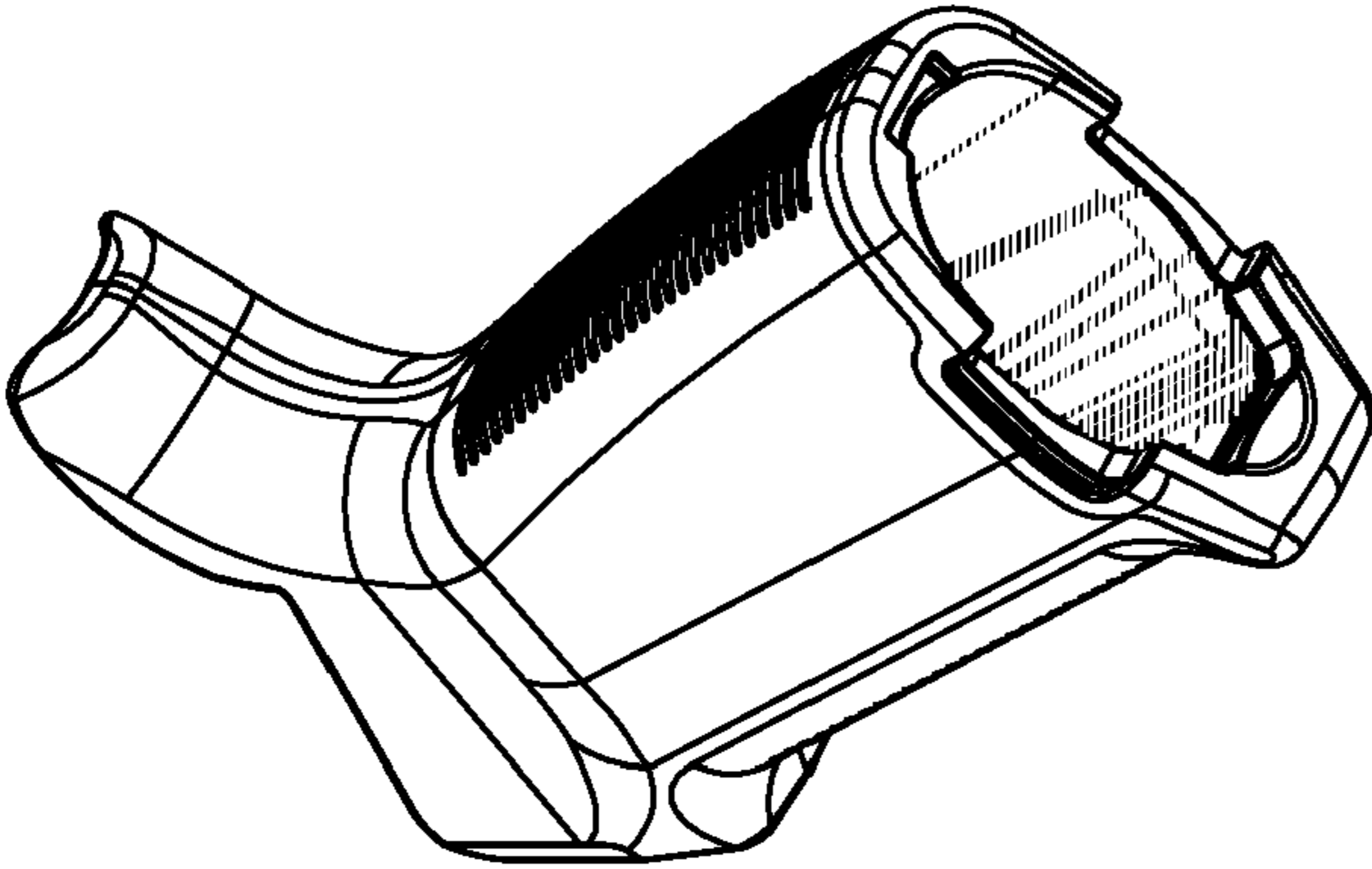


FIG. 12