



US00D600309S

(12) **United States Design Patent**
Fitzpatrick et al.

(10) **Patent No.:** **US D600,309 S**

(45) **Date of Patent:** **** Sep. 15, 2009**

(54) **HAND GRIP**

(75) Inventors: **Richard M. Fitzpatrick**, Denver, CO (US); **Michael T. Mayberry**, Denver, CO (US); **Eric C. Burt**, Broomfield, CO (US)

(73) Assignee: **Magpul Industries Corp.**, Erie, CO (US)

(**) Term: **14 Years**

(21) Appl. No.: **29/303,196**

(22) Filed: **Feb. 1, 2008**

(51) **LOC (9) Cl.** **22-01**

(52) **U.S. Cl.** **D22/109**

(58) **Field of Classification Search** D22/100, D22/108, 109, 110, 199; 42/11, 72, 75.02, 42/71.01, 85, 90, 106, 114, 113, 116, 119, 42/124, 125, 127, 145, 128; 248/201, 205.1
See application file for complete search history.

(56) **References Cited**

U.S. PATENT DOCUMENTS

D221,428 S *	8/1971	Lewis	D22/104
D302,289 S *	7/1989	Lambert	D22/108
D344,124 S *	2/1994	Cupp	D22/108
D351,448 S *	10/1994	Fisher	D22/108
D479,571 S *	9/2003	Benini	D22/108
D487,298 S *	3/2004	Clare et al.	D22/108
6,854,205 B2 *	2/2005	Wikle et al.	42/71.02
D562,931 S *	2/2008	Szabo	D22/108
2003/0140546 A1 *	7/2003	Kay	42/133
2006/0064913 A1 *	3/2006	Gablowski et al.	42/72
2006/0260169 A1 *	11/2006	Samson et al.	42/72
2007/0180752 A1 *	8/2007	Houde-Walter	42/114
2008/0060247 A1 *	3/2008	Thomele et al.	42/71.02

* cited by examiner

Primary Examiner—T. Chase Nelson

Assistant Examiner—Michael A Pratt

(74) *Attorney, Agent, or Firm*—Geoffrey E. Dobbin

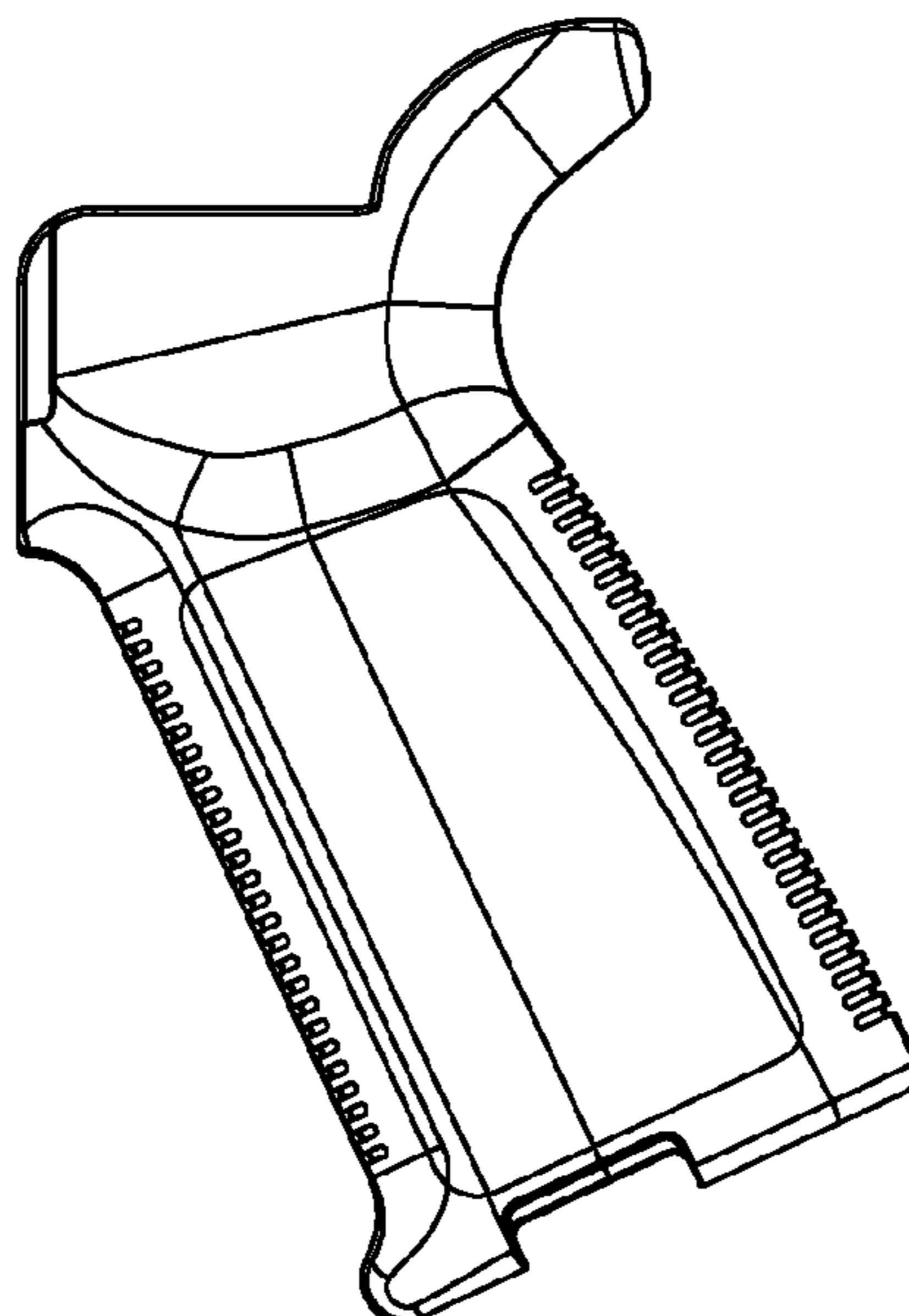
(57) **CLAIM**

The ornamental design for an hand grip, as shown and described.

DESCRIPTION

FIG. 1 is a left elevation view of the hand grip.
 FIG. 2 is a right elevation view of the hand grip.
 FIG. 3 is a left/top/rear perspective view of the hand grip.
 FIG. 4 is a front elevation view of the hand grip.
 FIG. 5 is a rear elevation view of the hand grip.
 FIG. 6 is a top plan view of the hand grip.
 FIG. 7 is a bottom plan view of the hand grip.
 FIG. 8 is a right/top/front perspective view of the hand grip.
 FIG. 9 is a right/bottom/front perspective view of the hand grip.
 FIG. 10 is a left/bottom/front perspective view of the hand grip.
 FIG. 11 is a left/top/front perspective view of the hand grip.
 FIG. 12 is a left/bottom/rear perspective view of the hand grip.
 FIG. 13 is a right/bottom/rear perspective view of the hand grip; and,
 FIG. 14 is a right/top/rear perspective view of the hand grip.
 The broken lines showing of interior structure in is included for the purpose of illustrating environment and forms no part of the claimed design.

1 Claim, 4 Drawing Sheets



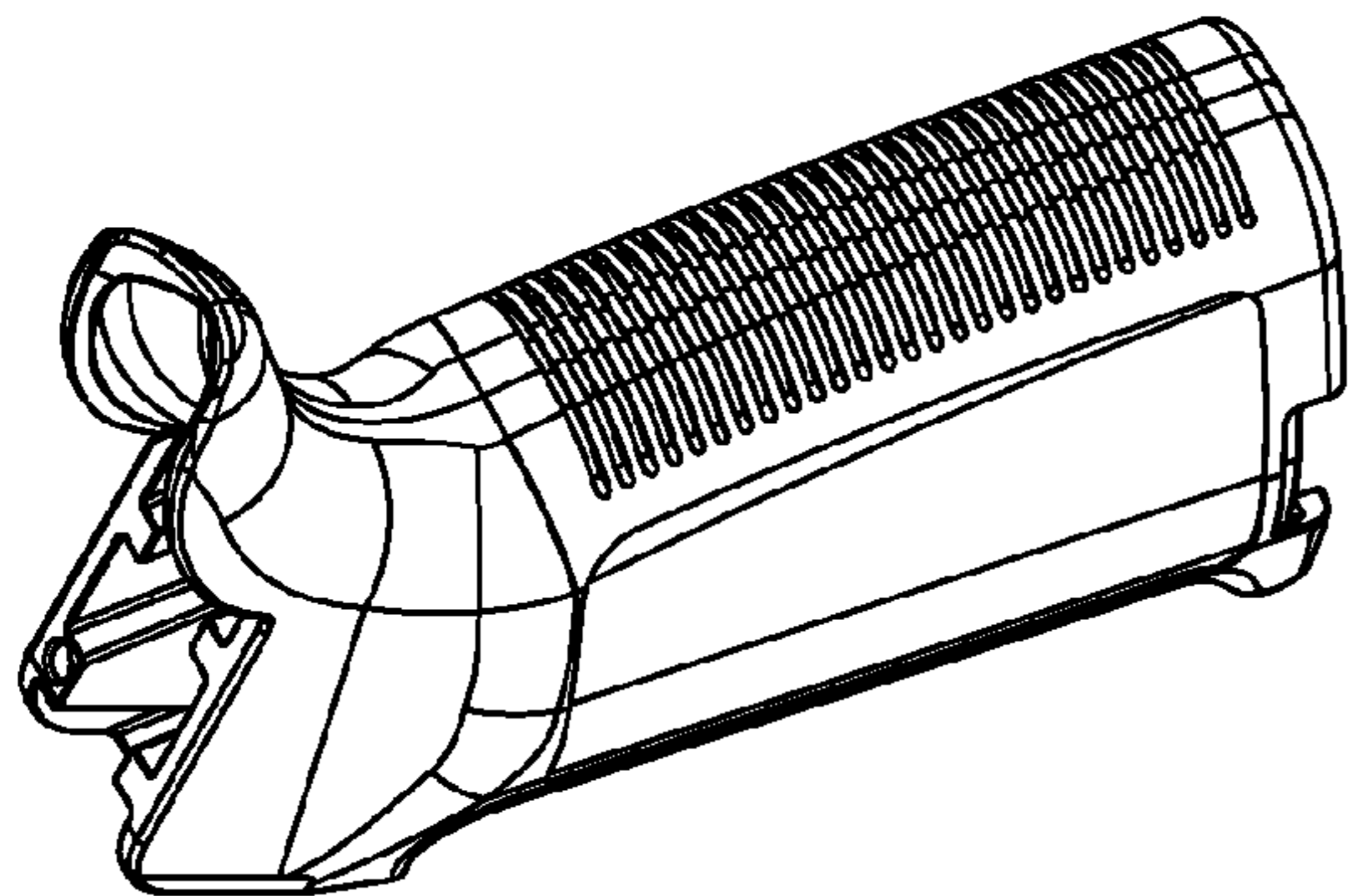


FIG. 3

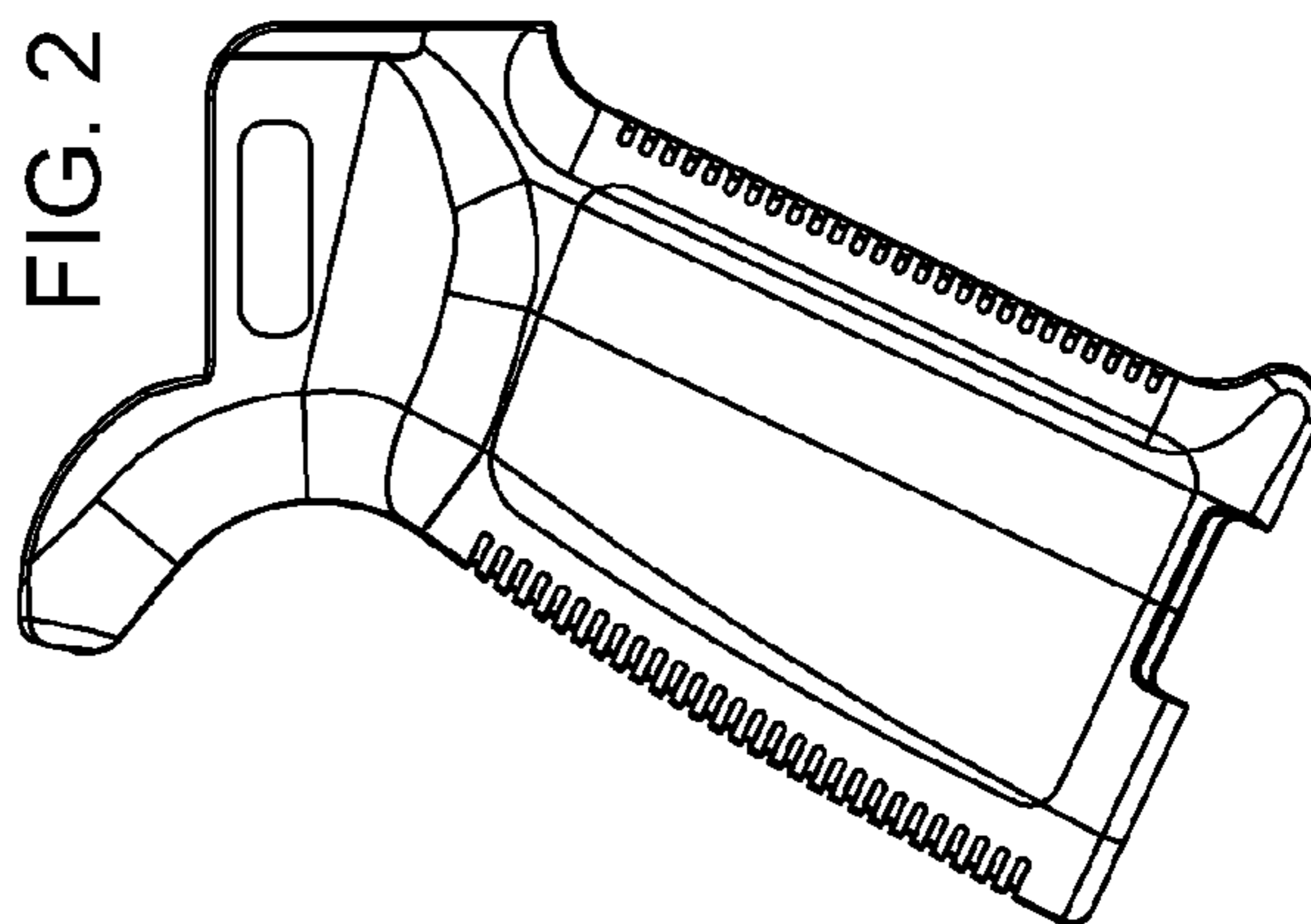


FIG. 2

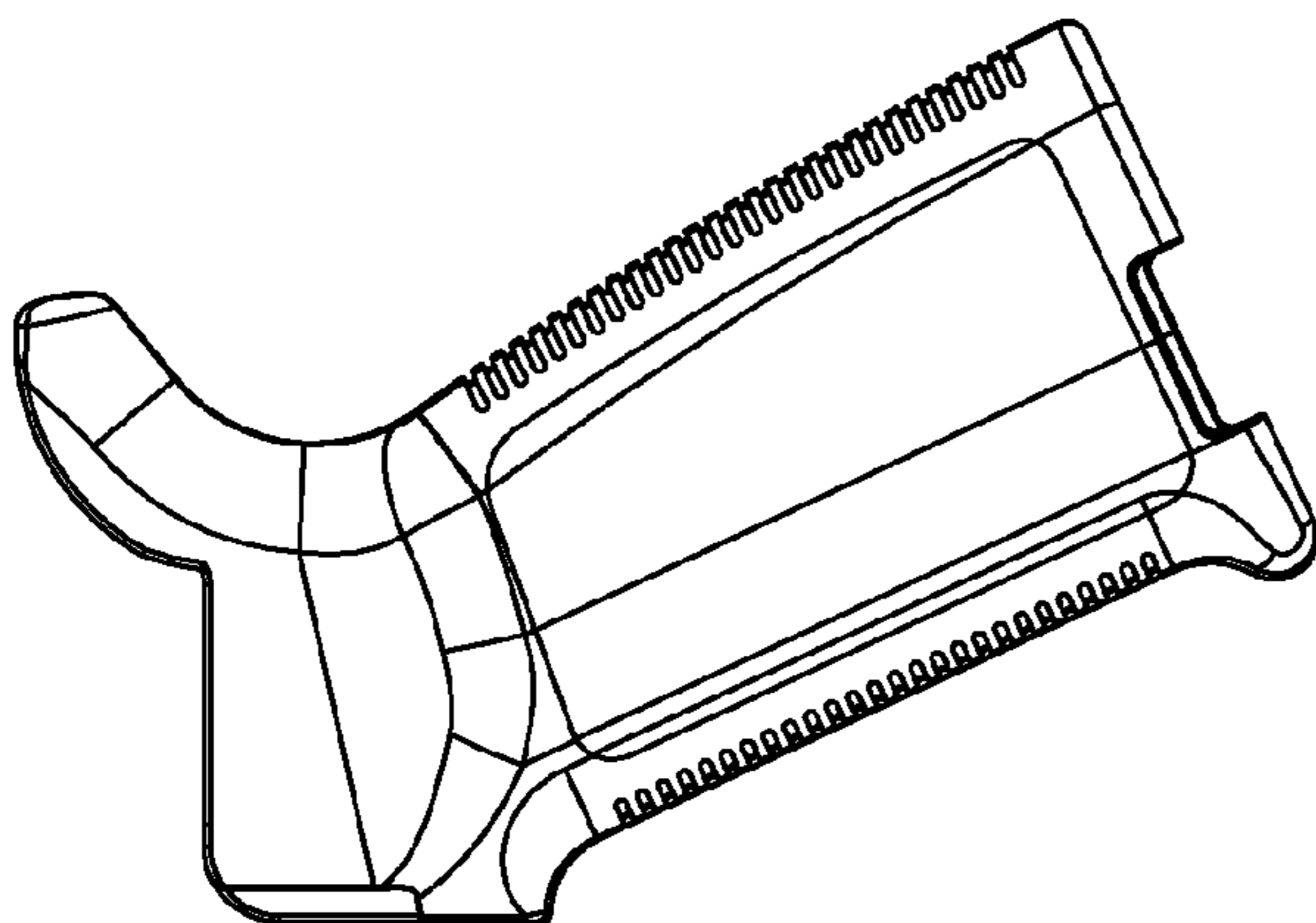


FIG. 1

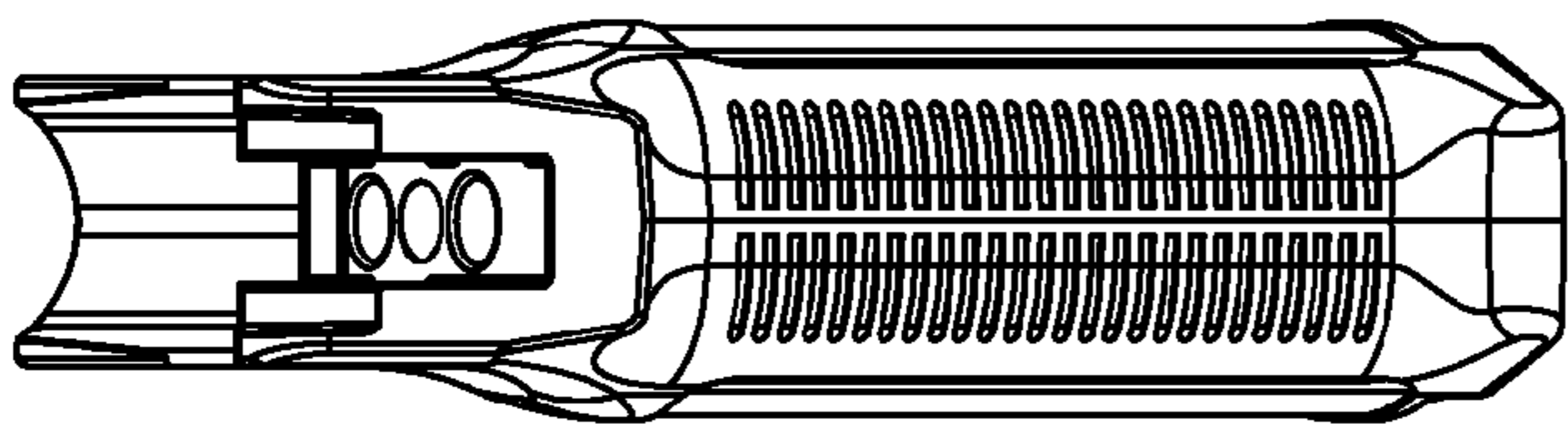


FIG. 4

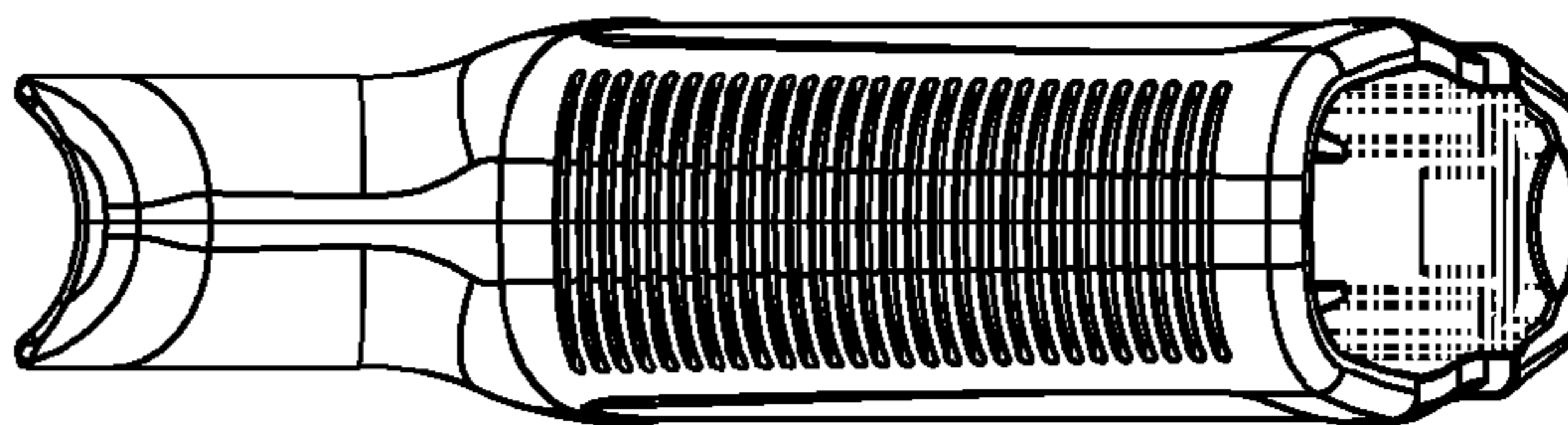


FIG. 5

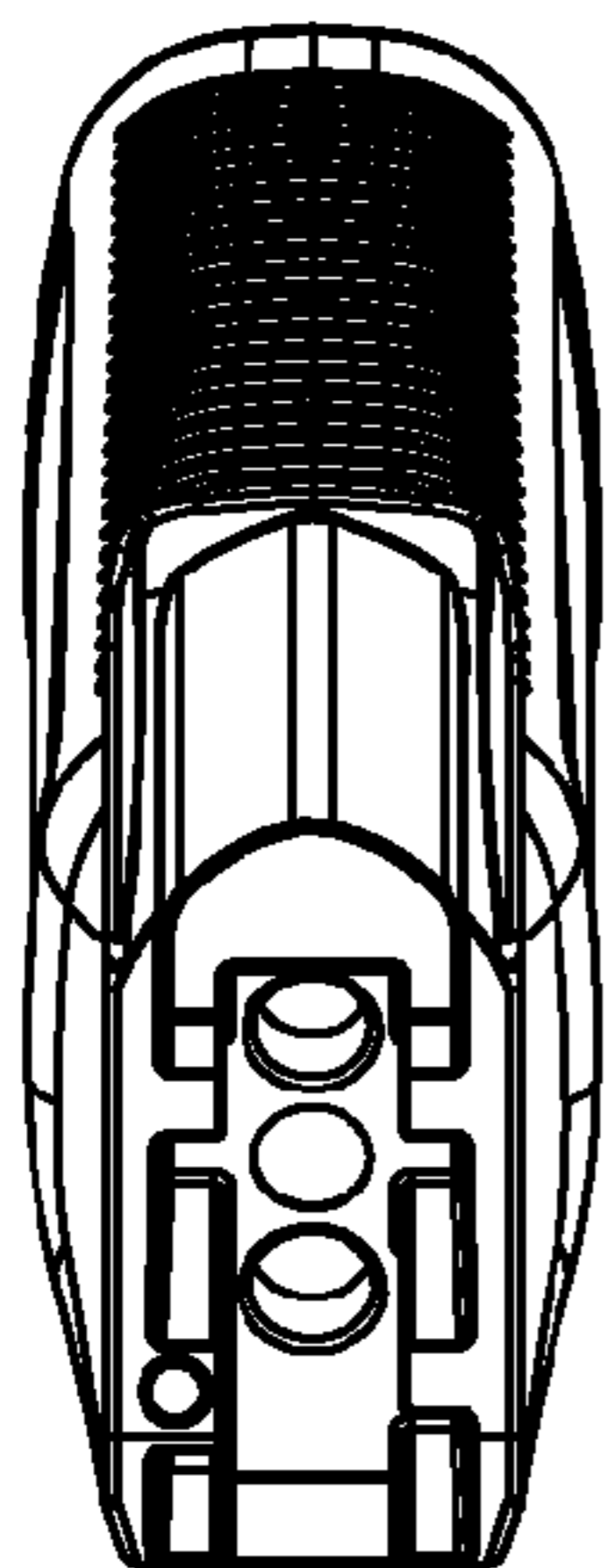


FIG. 6

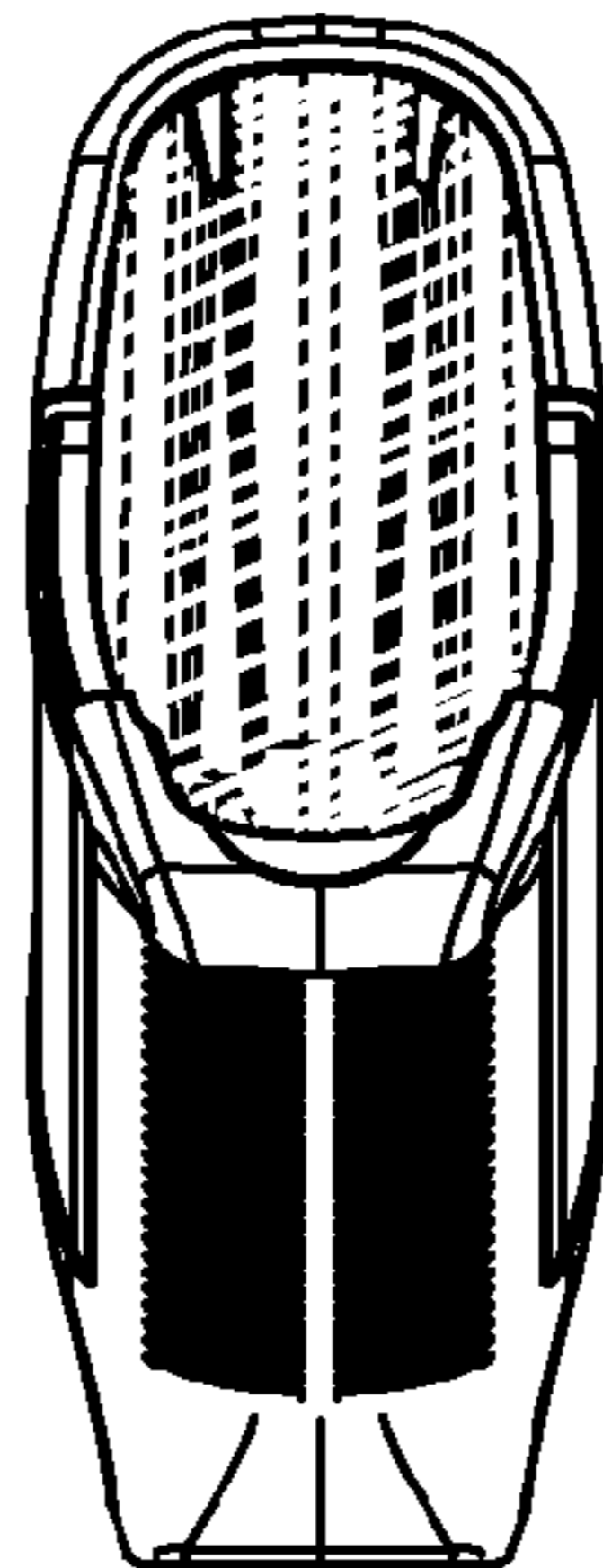


FIG. 7

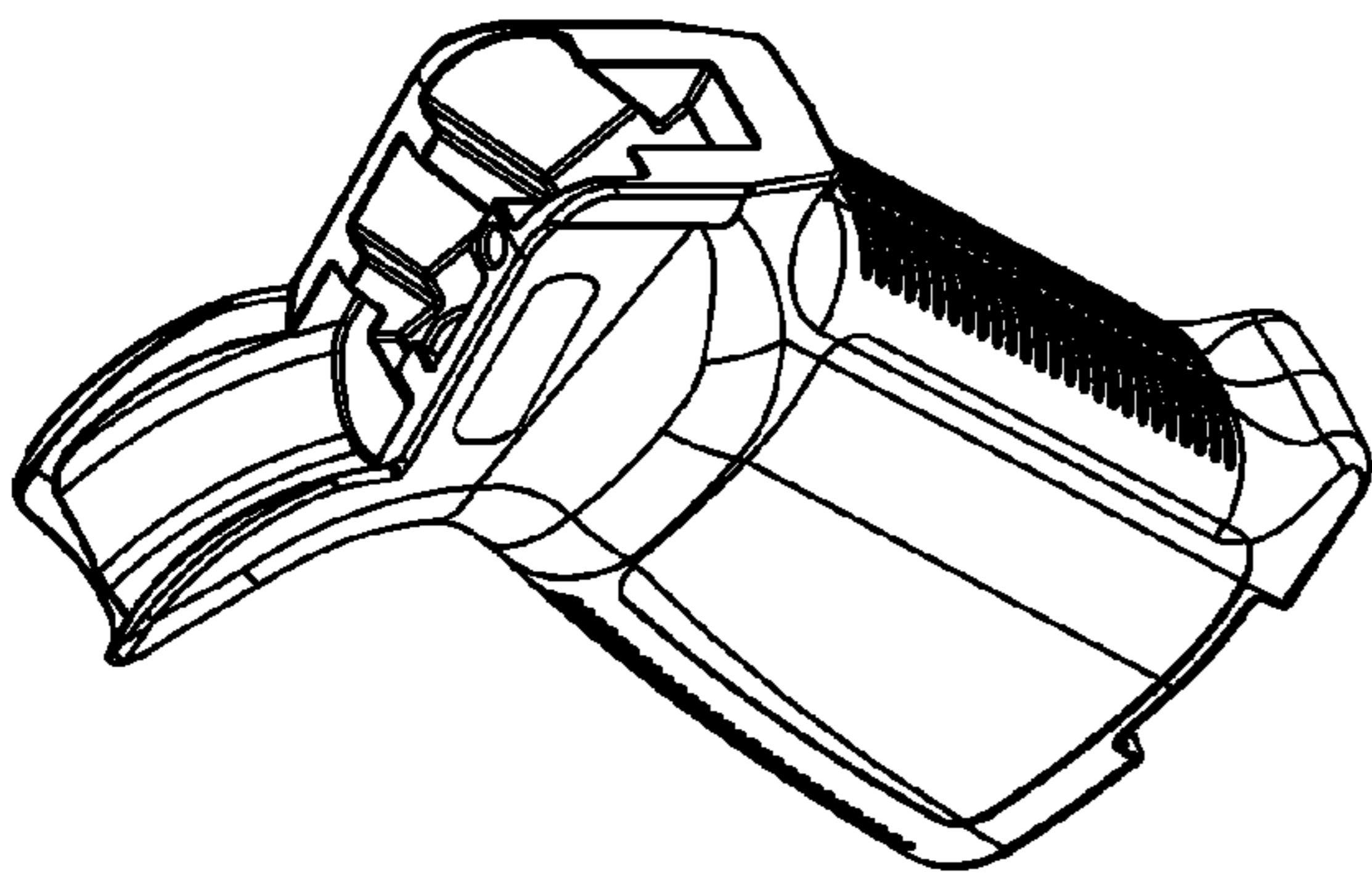


FIG. 8

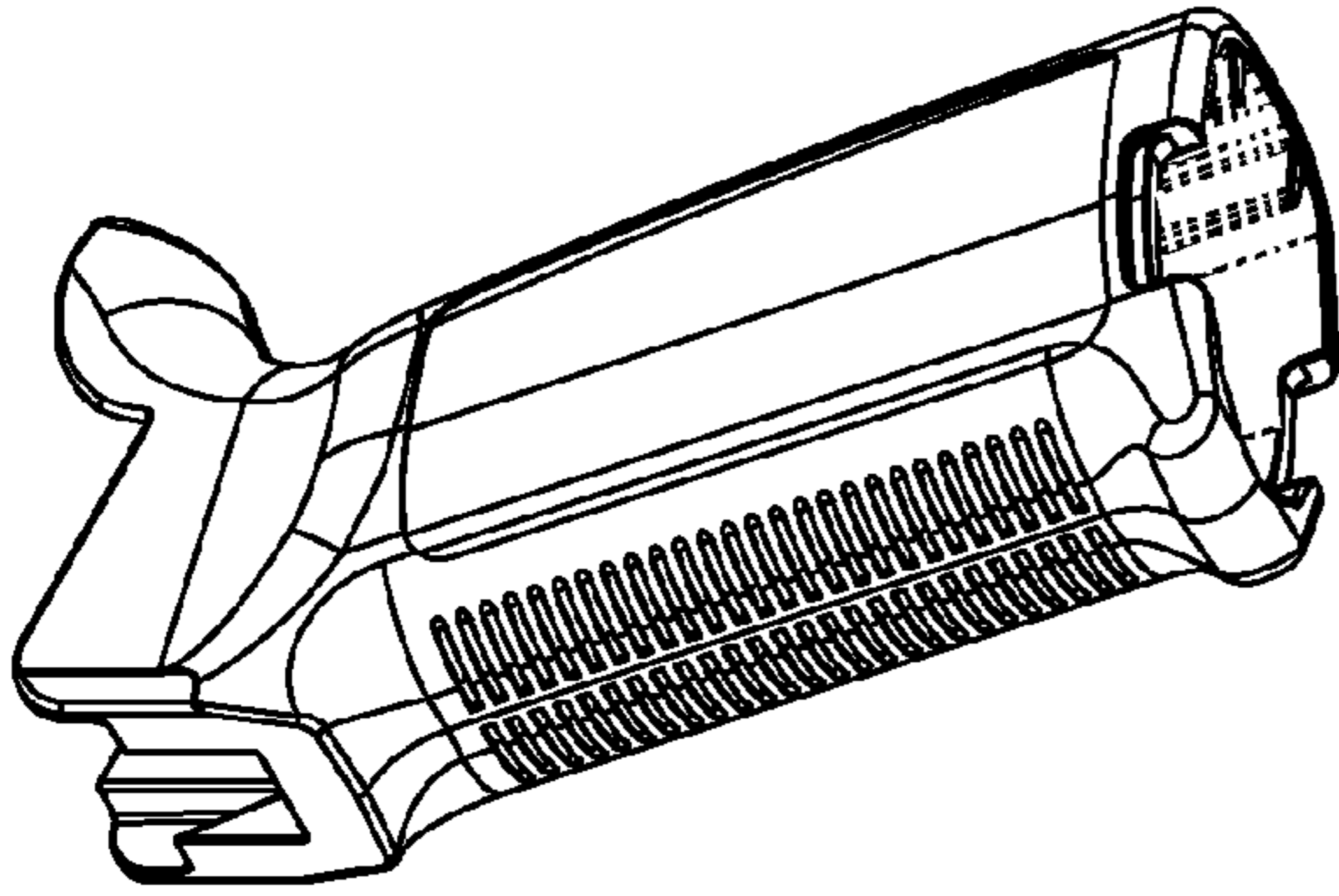


FIG. 9

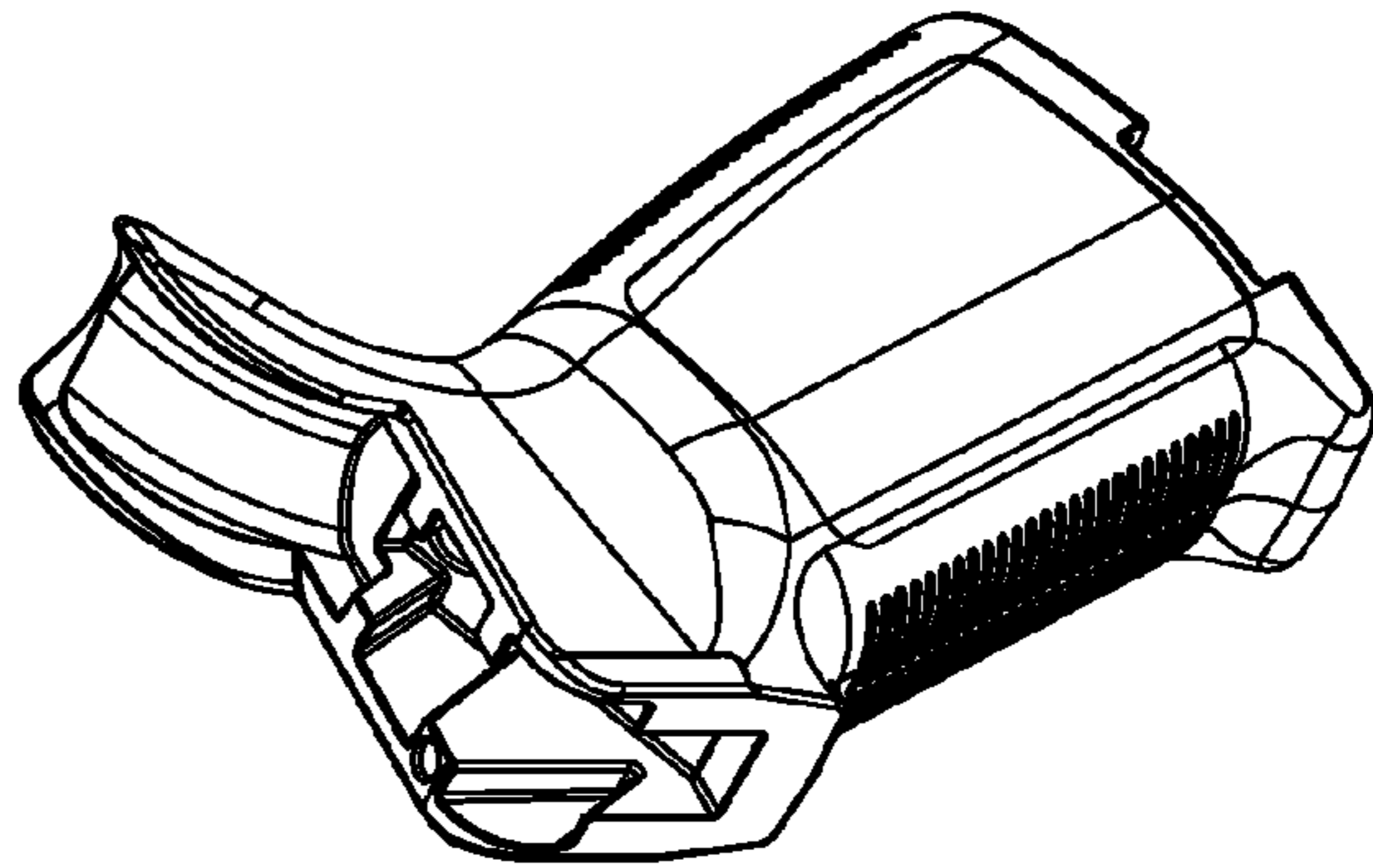
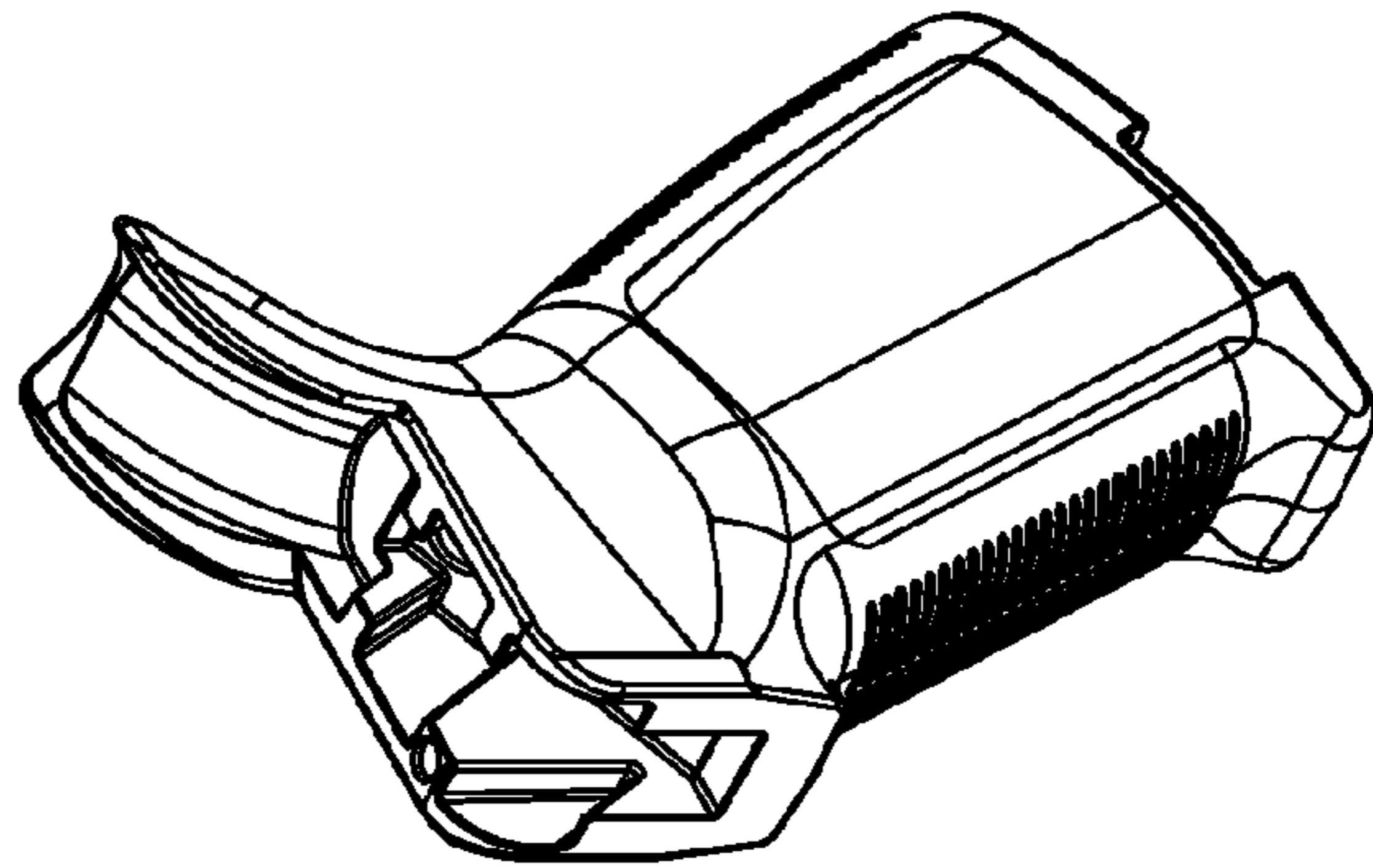


FIG. 10

FIG. 11



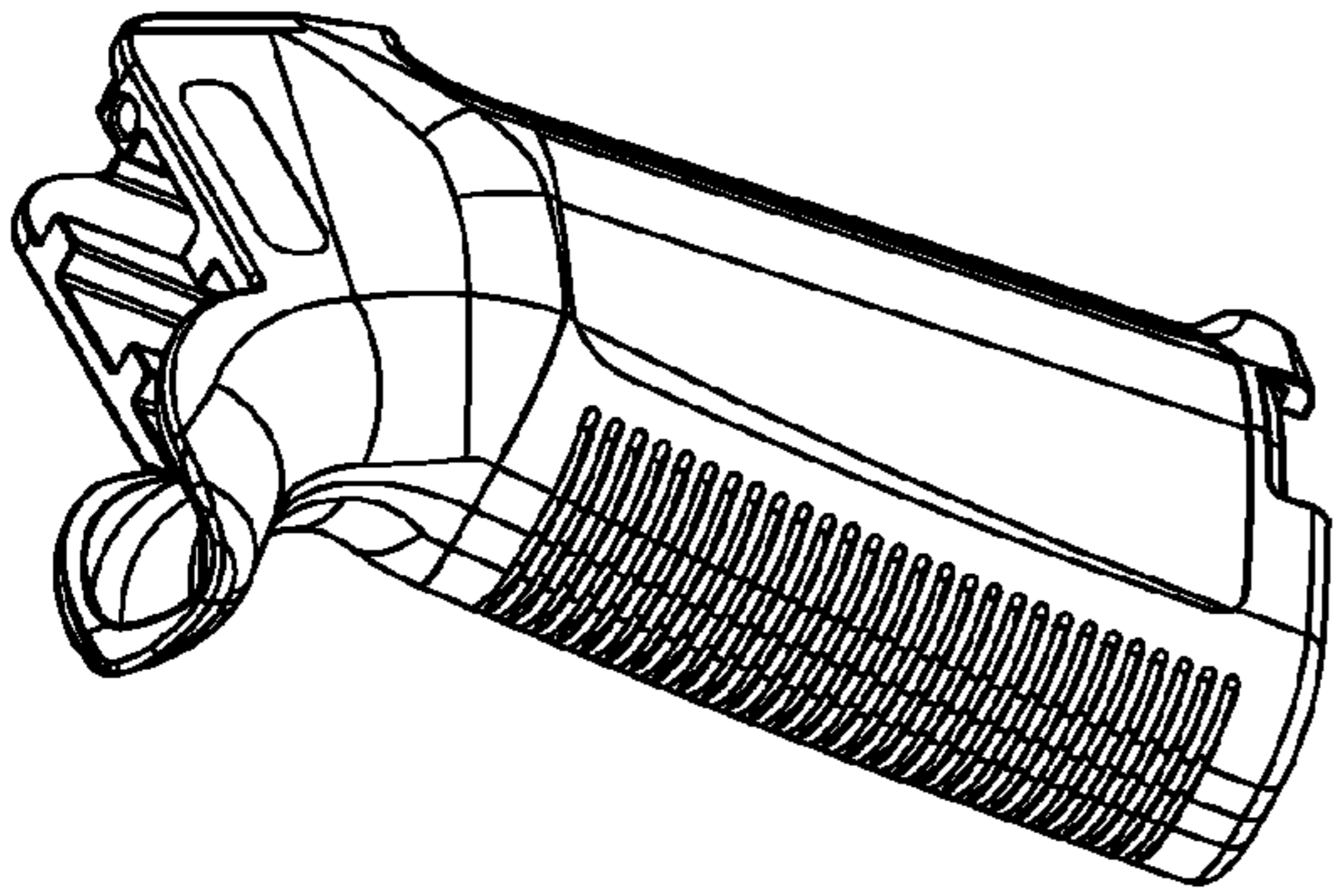


FIG. 14

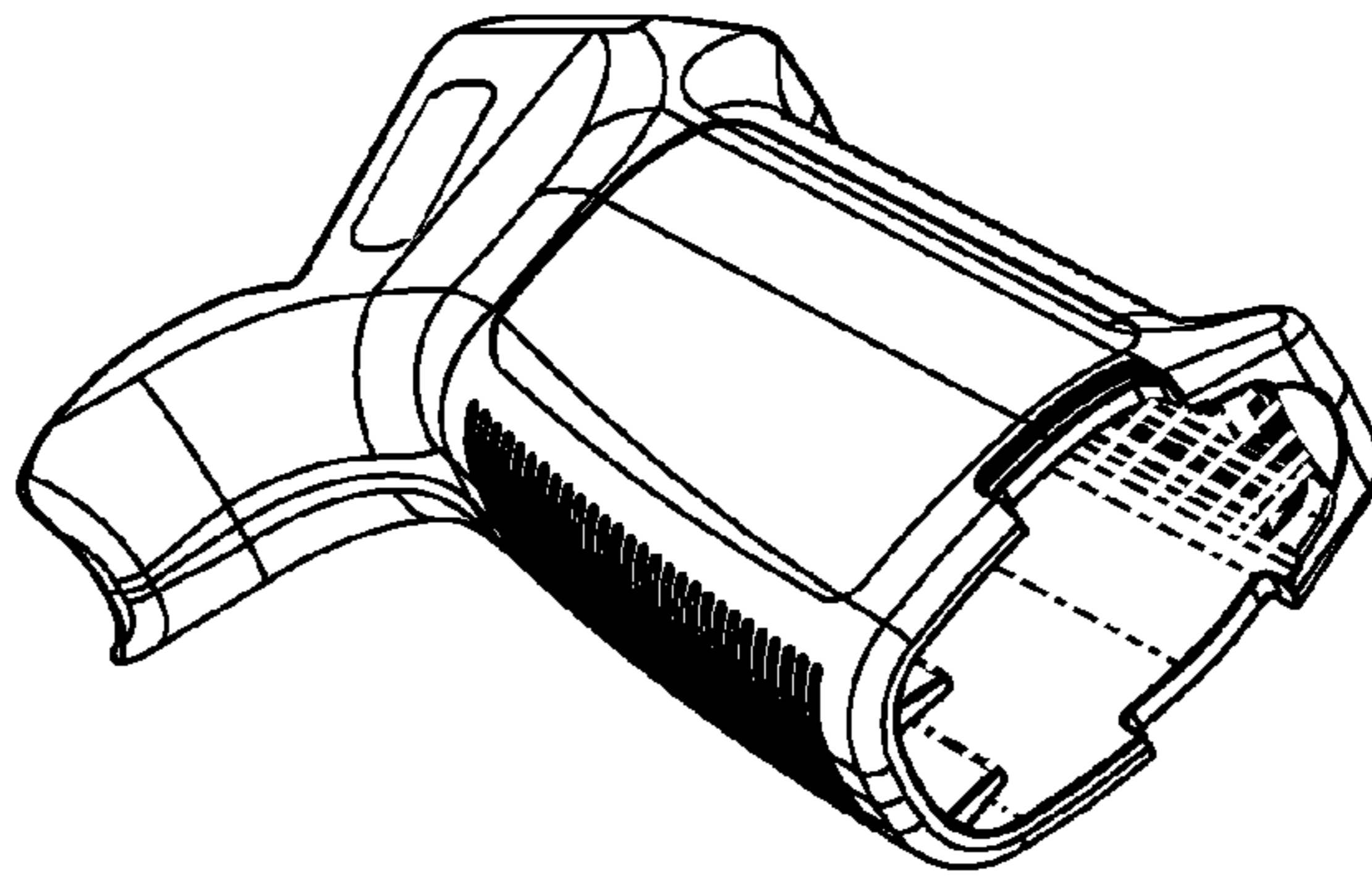


FIG. 13

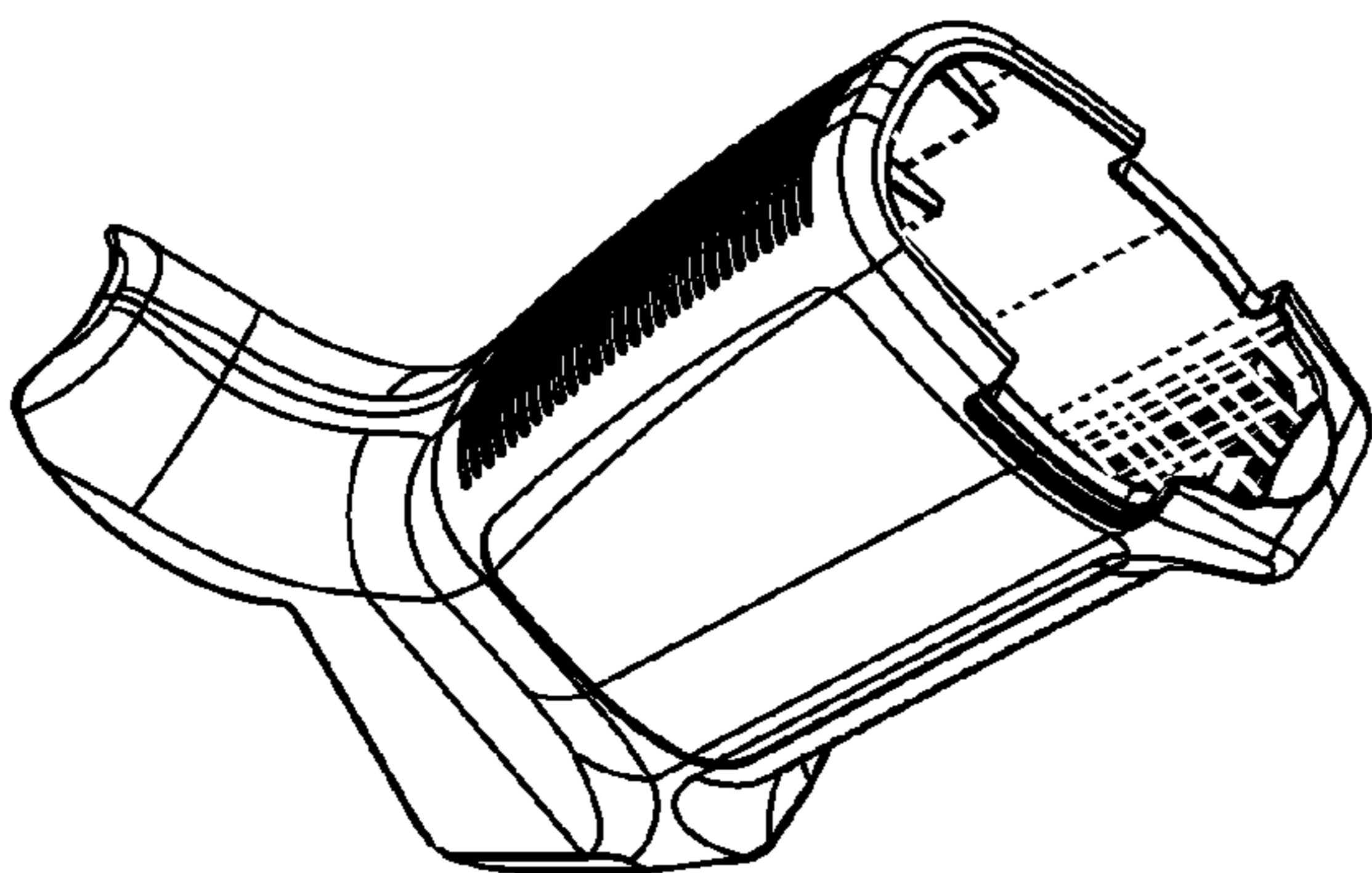


FIG. 12